



US00D625530S

(12) **United States Design Patent**
Robbins, III

(10) **Patent No.:** **US D625,530 S**
(45) **Date of Patent:** **** Oct. 19, 2010**

(54) **DISPLAY FOR SHEET GOODS**

(76) Inventor: **Edward S. Robbins, III**, 2802 Avalon Ave., Muscle Shoals, AL (US) 35661

(**) Term: **14 Years**

(21) Appl. No.: **29/352,808**

(22) Filed: **Dec. 28, 2009**

4,605,130 A	8/1986	Taub	211/59.2
4,697,699 A	10/1987	Schneider	206/44.11
4,723,664 A *	2/1988	Smith	211/149
RE32,668 E *	5/1988	Smith	211/149
4,907,705 A	3/1990	Waldeck	211/13
4,991,804 A	2/1991	Iannucci	248/174
D323,441 S *	1/1992	Waldeck	D6/469

Related U.S. Application Data

(63) Continuation of application No. 11/842,258, filed on Aug. 21, 2007, now abandoned.

(51) **LOC (9) Cl.** **06-04**

(52) **U.S. Cl.** **D6/466**

(58) **Field of Classification Search** D6/466,
D6/449, 469, 396, 476, 524, 454, 473, 468;
40/312; D19/20, 78, 75; 211/13.1, 85.16,
211/94.01, 85.27, 149, 85.4, 126.16, 133.1,
211/184, 132.1; 220/480; 312/229; 297/440.12,
297/188.08; 248/174; D34/27

See application file for complete search history.

(56) **References Cited**

U.S. PATENT DOCUMENTS

D71,240 S	10/1926	Curry	
1,729,014 A	9/1929	Scherotto	
1,818,247 A *	8/1931	Grennan	206/740
1,902,566 A	3/1933	Marsh	
1,954,060 A *	4/1934	Powers	206/740
1,964,880 A	7/1934	Katz	211/156
2,012,117 A	8/1935	Barron	248/174
2,040,241 A	5/1936	Cortilet	206/44
2,312,594 A	3/1943	Smith et al.	211/72
D141,760 S *	7/1945	Gelinas	D6/454
2,713,984 A *	7/1955	Paige	248/174
3,463,546 A *	8/1969	Giebel	297/440.12
3,494,479 A *	2/1970	Martin	211/126.16
3,567,014 A *	3/1971	Feigelman	206/767
3,757,934 A	9/1973	Taub	206/44 R
4,164,287 A	8/1979	Muller et al.	211/134
4,350,281 A	9/1982	Dornbusch et al.	229/38
4,519,319 A	5/1985	Howlett	108/111

(Continued)

Primary Examiner—Susan Moon Lee

Assistant Examiner—Sydney R Buffalow

(74) *Attorney, Agent, or Firm*—Brinks Hofer Gilson & Lione

(57) **CLAIM**

I claim the ornamental design for a display for sheet goods, as shown and described.

DESCRIPTION

FIG. 1 is a perspective view of a sample display unit of the present invention.

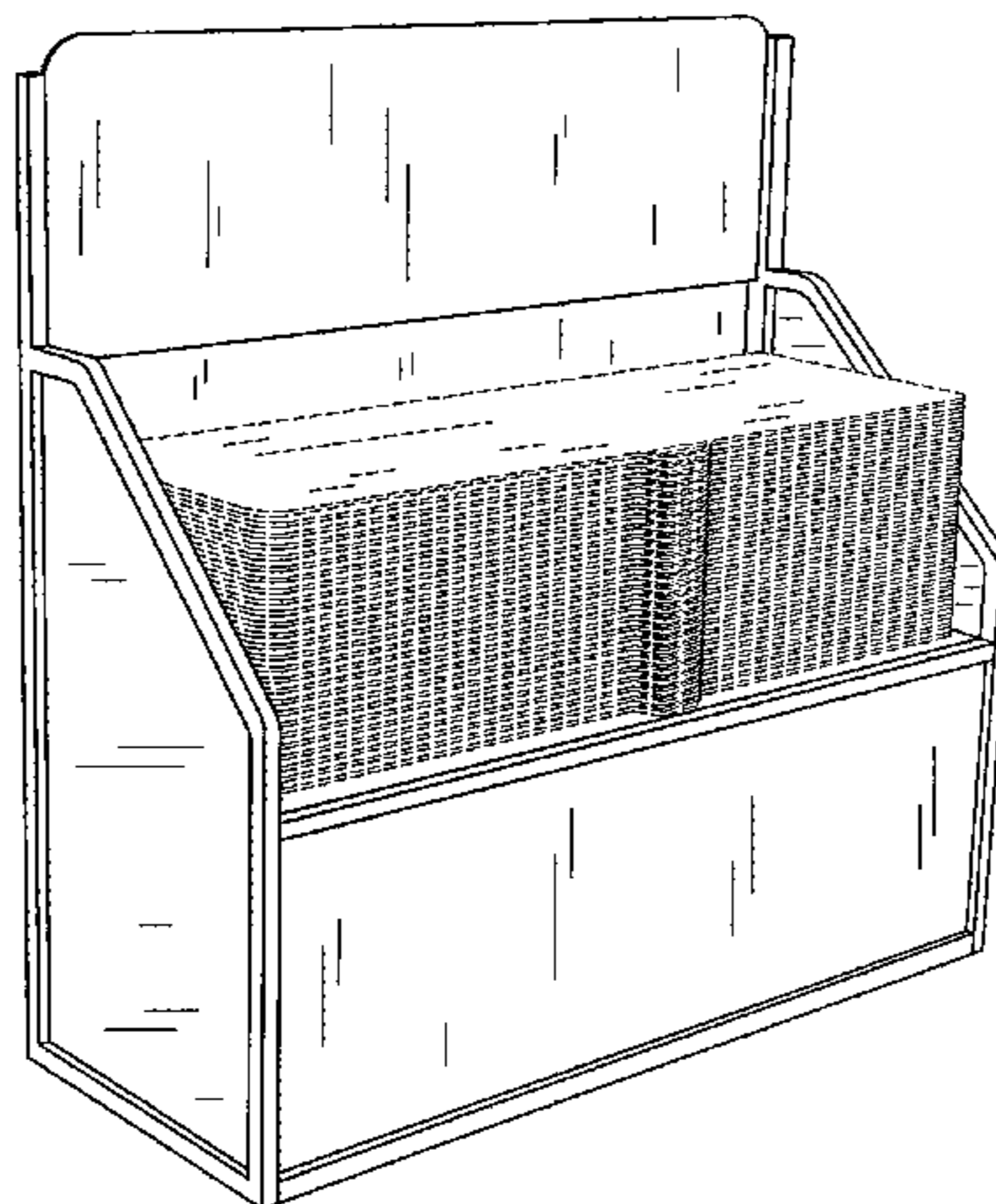
FIG. 2 is a front elevation view of a sample display unit of FIG. 1.

FIG. 3 is a back elevation view of a sample display unit of FIG. 1; and,

FIG. 4 is a side elevation view of a sample display unit of FIG. 1 shown from one side, with the opposite side being a mirror image.

The ornamental design which is claimed is shown in solid lines in the drawings. The broken lines in the drawings are intended to illustrate a series of stacked display sheets supported by display for sheet goods. The display sheets shown in the figures, as well as any other broken or phantom lines, are for illustrative purposes only and form no part of the claimed design.

1 Claim, 4 Drawing Sheets



US D625,530 S

Page 2

U.S. PATENT DOCUMENTS

D329,154 S *	9/1992	Waterston	D6/476	D442,803 S *	5/2001	Hatch	D6/449
5,150,813 A *	9/1992	Harris et al.	220/480	6,394,290 B1 *	5/2002	Walsh et al.	211/149
5,351,882 A *	10/1994	Krautsack	206/45.26	D470,641 S *	2/2003	Emerzian et al.	D34/27
5,443,168 A *	8/1995	Dyment et al.	211/149	6,557,708 B2	5/2003	Polacco	206/774
5,515,966 A *	5/1996	Hodge et al.	206/292	6,955,268 B2	10/2005	Waldron	211/51
5,697,505 A	12/1997	Sprague	211/13	D529,311 S *	10/2006	Waldron	D6/449
5,711,438 A *	1/1998	Smith	211/149	7,216,772 B2	5/2007	Moss et al.	211/72
5,836,455 A	11/1998	Connor et al.	206/757	7,367,460 B2	5/2008	Hirsch	211/126.1
D429,093 S *	8/2000	Miller	D6/467	D597,766 S *	8/2009	Nealon et al.	D6/466
6,105,796 A	8/2000	Buchanan et al.	211/128.1	2006/0273054 A1	12/2006	Moss et al.	211/72
					2007/0267375 A1	11/2007	Battaglia et al.	211/189

* cited by examiner

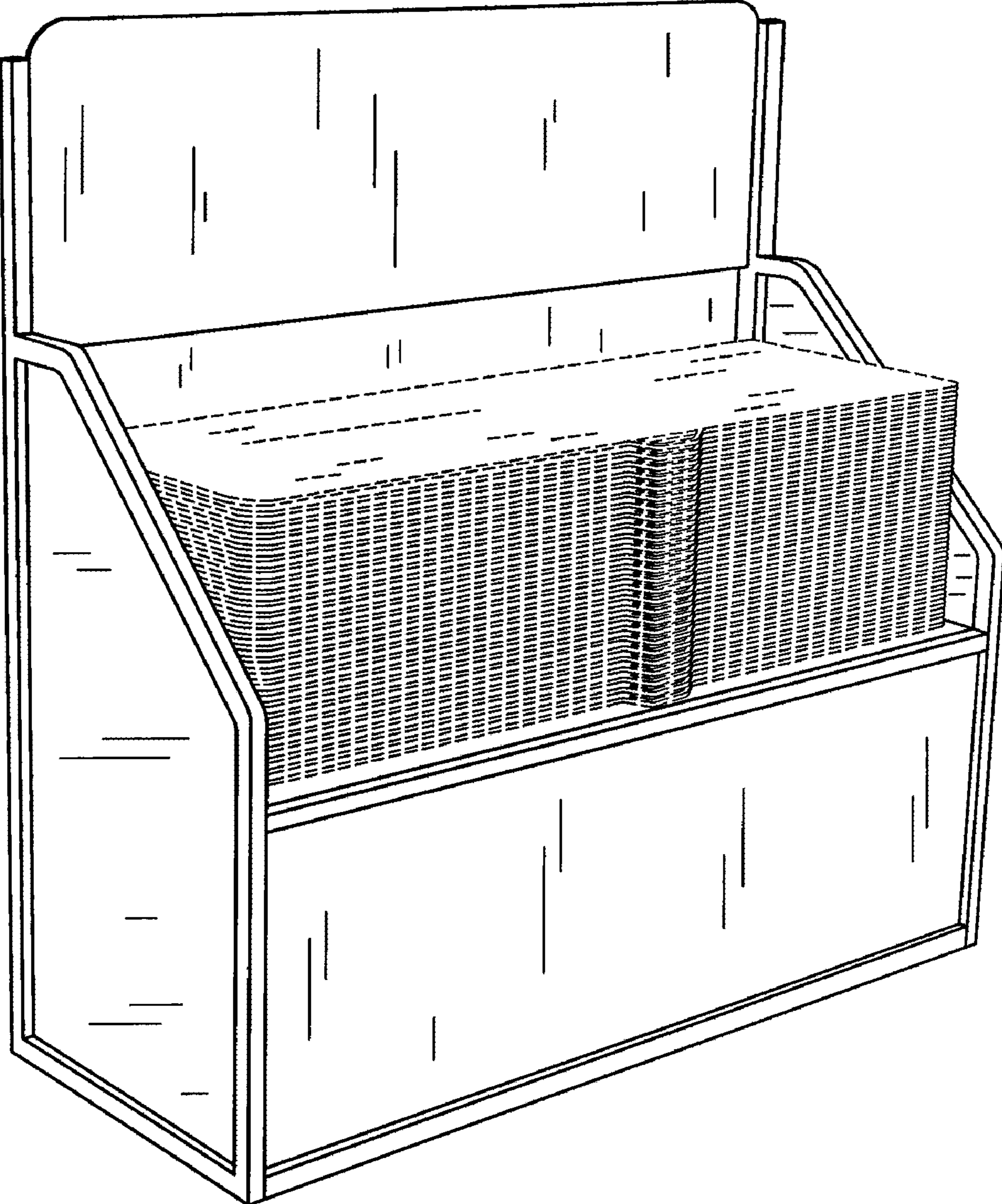


FIG. 1

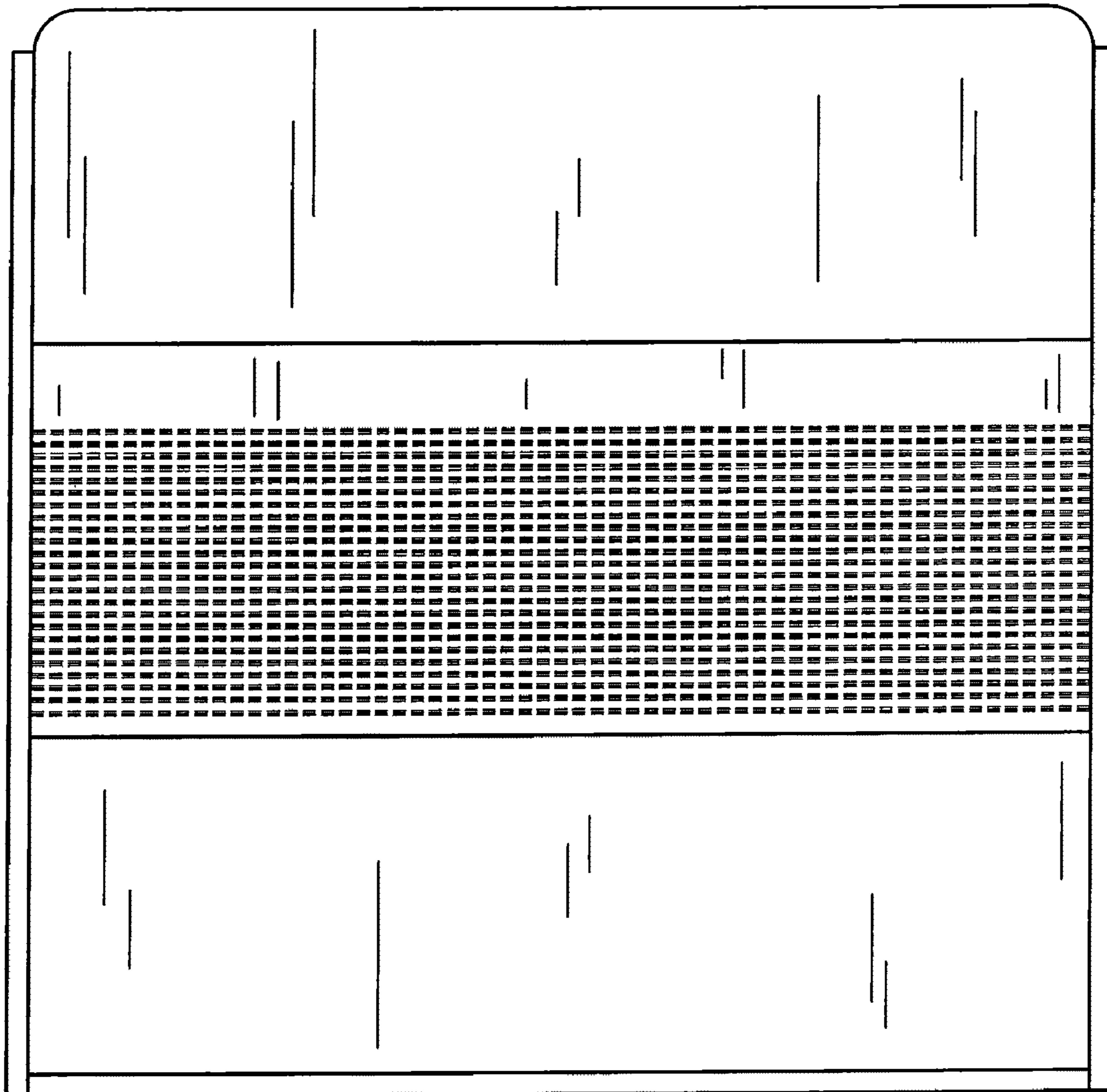


FIG.2

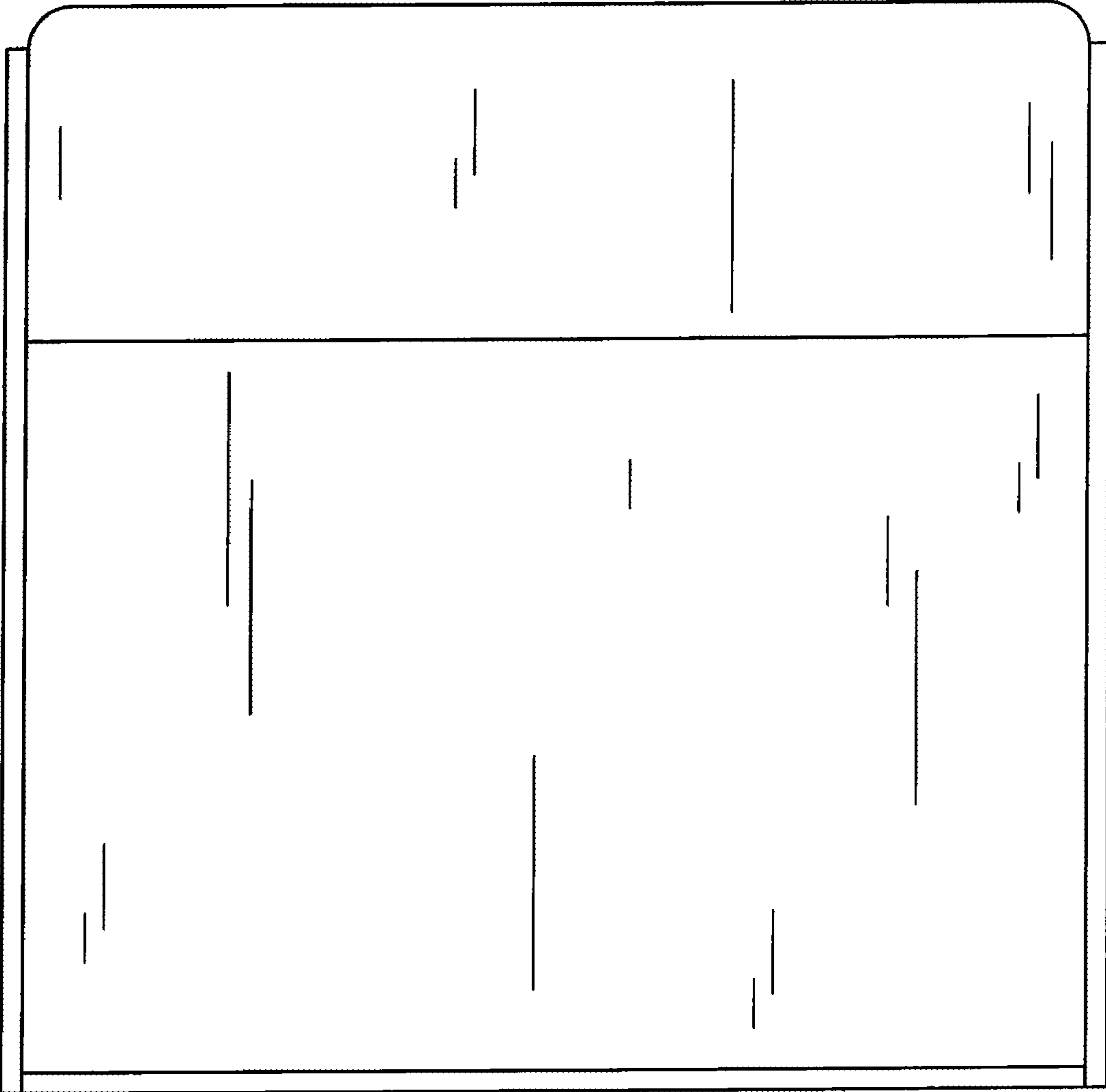


FIG.3

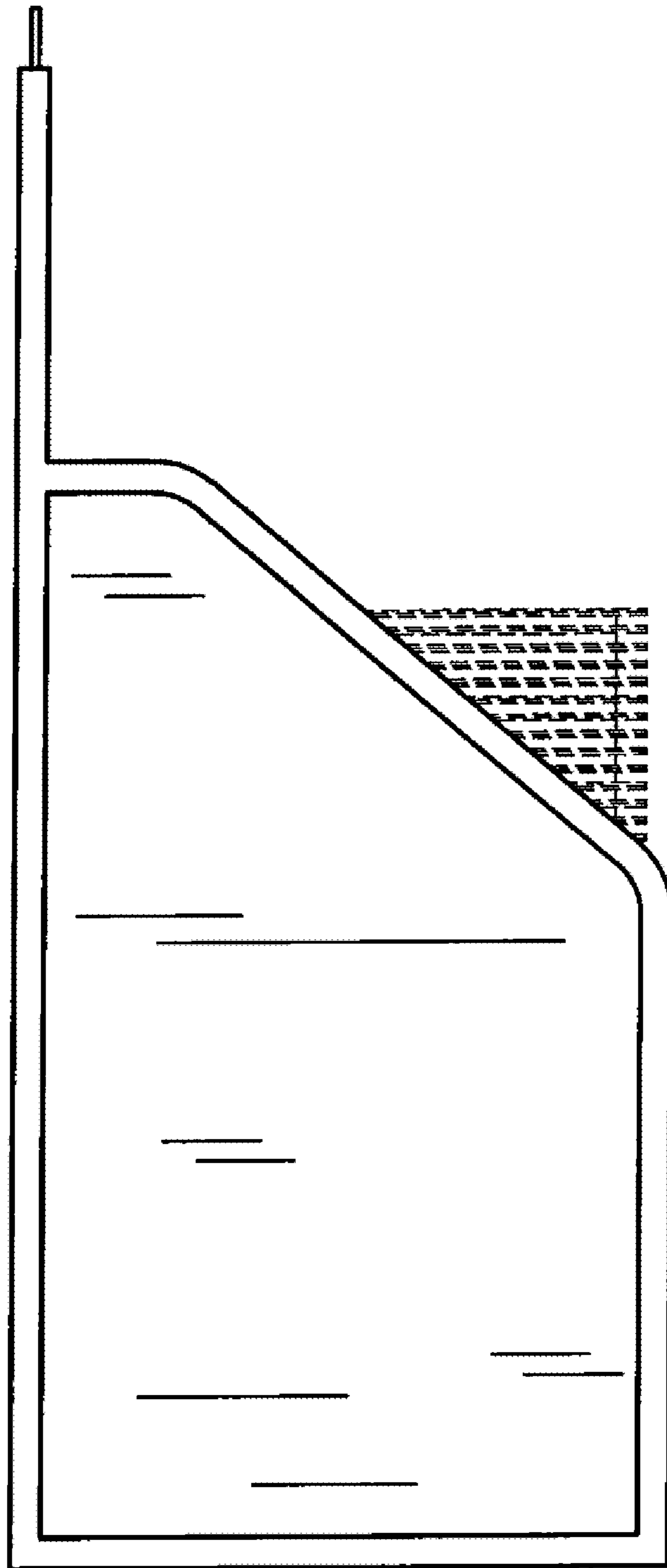


FIG. 4