



US00D625528S

(12) **United States Design Patent**  
**Sprague**

(10) **Patent No.:** **US D625,528 S**

(45) **Date of Patent:** **\*\* Oct. 19, 2010**

(54) **BARRIER STRAP PEDESTAL**

(76) Inventor: **Sam Sprague**, 1D Grange Hill Estate,  
Bratton Fleming, Devon (GB) EX31  
4UH

(\*\*) Term: **14 Years**

(21) Appl. No.: **29/316,460**

(22) Filed: **Sep. 30, 2009**

(51) **LOC (9) Cl.** ..... **06-04**

(52) **U.S. Cl.** ..... **D6/449; D6/495**

(58) **Field of Classification Search** ..... D6/495,  
D6/449, 396, 455, 460, 411, 312, 429-431;  
D20/19, 41; 248/97, 441.1, 448, 449, 454,  
248/460; 211/13.1, 85.3, 205, 34; D7/707;  
256/45

See application file for complete search history.

(56) **References Cited**

**U.S. PATENT DOCUMENTS**

D98,371 S \* 1/1936 Seive ..... D6/460  
D249,911 S \* 10/1978 Cottrell ..... D6/455

(Continued)

*Primary Examiner*—Philip S Hyder  
*Assistant Examiner*—Sydney R Buffalow  
(74) *Attorney, Agent, or Firm*—J. Wiley Horton

(57) **CLAIM**

The ornamental design for a “barrier strap pedestal”, as shown in the drawings and described in the accompanying text.

**DESCRIPTION**

FIG. 1 is a front perspective view showing the barrier strap pedestal styled according to the present invention;

FIG. 2 is a front elevation view, showing the barrier strap pedestal of FIG. 1;

FIG. 3 is a rear elevation view, showing the barrier strap pedestal of FIG. 1;

FIG. 4 is a right side elevation view, showing the barrier strap pedestal of FIG. 1;

FIG. 5 is a left side elevation view, showing the barrier strap pedestal of FIG. 1;

FIG. 6 is a top view, showing the barrier strap pedestal of FIG. 1;

FIG. 7 is a bottom view, showing the barrier strap pedestal of FIG. 1;

FIG. 8 is a detailed front perspective view, showing the uppermost portion of the barrier strap pedestal of FIG. 1;

FIG. 9 is a detailed rear perspective view, showing the same portion of the barrier strap pedestal of FIG. 8 but from the opposite side;

FIG. 10 is a detailed front perspective view, showing the uppermost portion of the barrier strap pedestal of FIG. 1 with the top cap raised to reveal the appearance of features which are visible when a barrier strap is attached to the barrier strap pedestal;

FIG. 11 is a detailed rear perspective view, showing the same portion of the barrier strap pedestal as FIG. 10 (with the top cap raised) but from the opposite side;

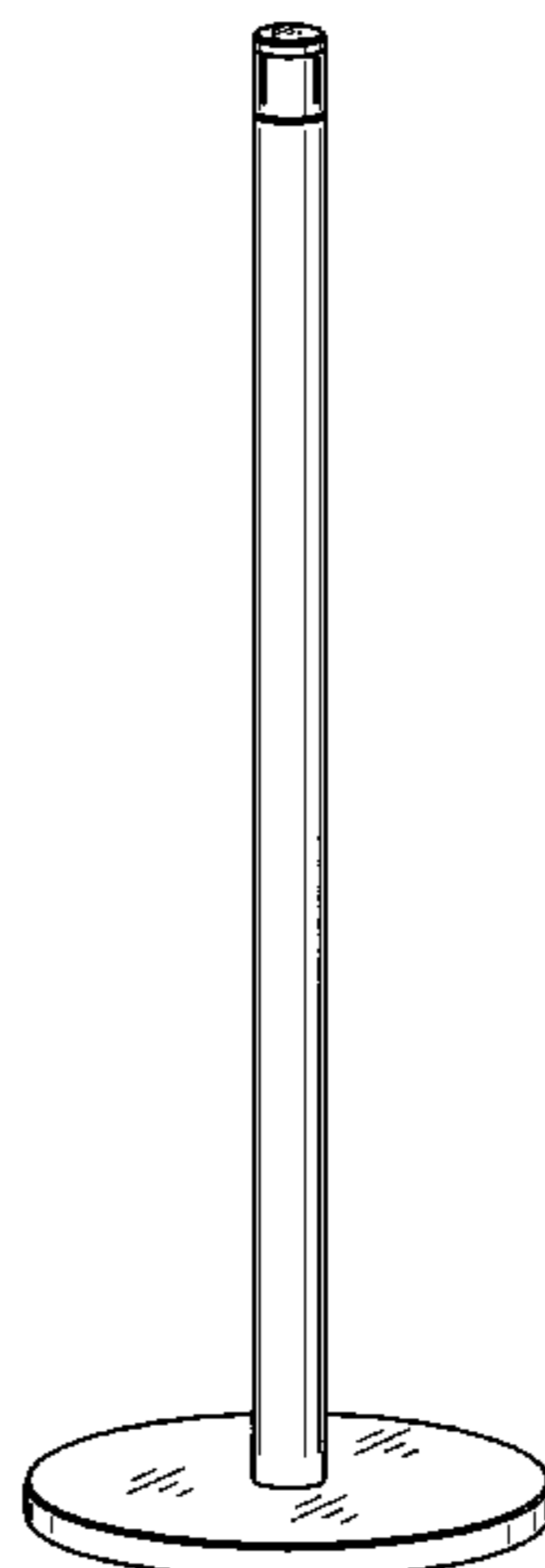
FIG. 12 is a detailed front elevation view, showing the uppermost portion of the barrier strap pedestal with the top cap raised;

FIG. 13 is a detailed rear elevation view, showing the uppermost portion of the barrier strap pedestal with the top cap raised;

FIG. 14 is a detailed right side elevation view, showing the uppermost portion of the barrier strap pedestal with the top cap raised; and,

FIG. 15 is a detailed left side elevation view, showing the uppermost portion of the barrier strap pedestal with the top cap raised.

**1 Claim, 15 Drawing Sheets**



# US D625,528 S

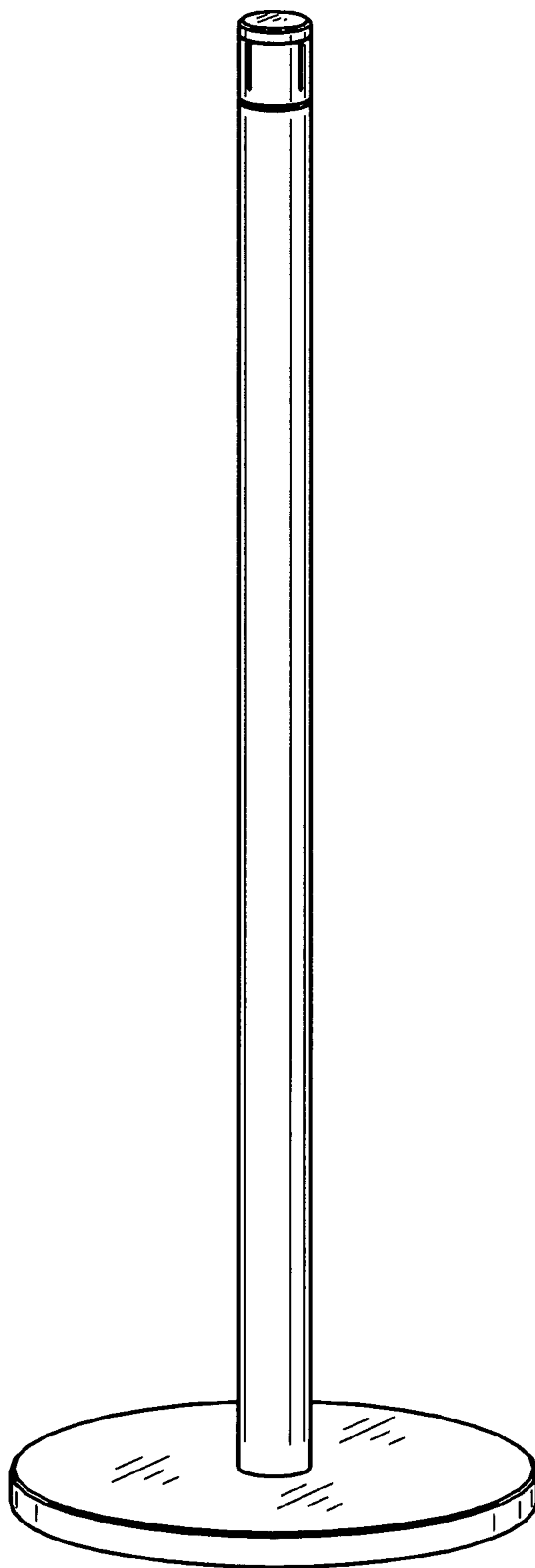
Page 2

---

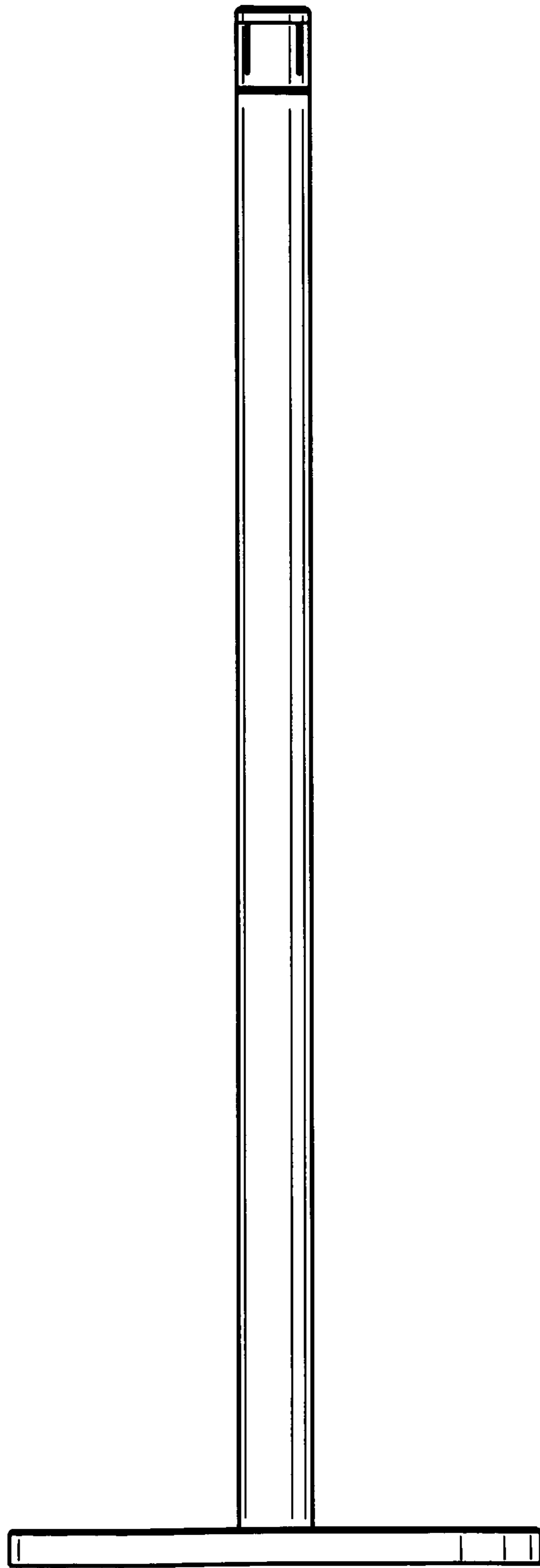
## U.S. PATENT DOCUMENTS

D450,496 S *	11/2001	Schwartz et al.	.....	D6/495	D598,217 S *	8/2009	Bode	.....	D6/449
D459,623 S *	7/2002	Tramontina	.....	D6/515	2003/0111657 A1 *	6/2003	Green	.....	256/45
6,776,398 B1 *	8/2004	Tsai	.....	256/45	2004/0144966 A1 *	7/2004	Tsai	.....	256/45
D545,080 S *	6/2007	Massaud	.....	D6/411	2006/0273295 A1 *	12/2006	Maly et al.	.....	256/45
D581,304 S *	11/2008	Phillips	.....	D10/109	2010/0006711 A1 *	1/2010	Roth	.....	248/97
D582,986 S *	12/2008	Sanchez	.....	D20/19					

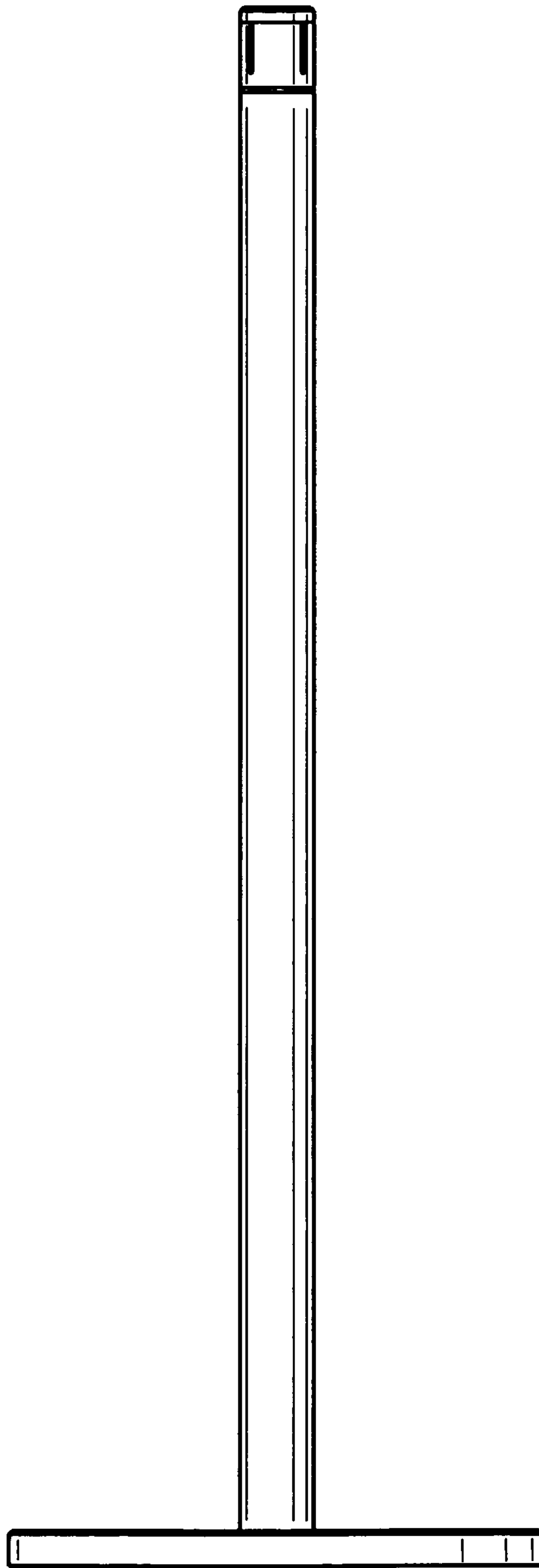
\* cited by examiner



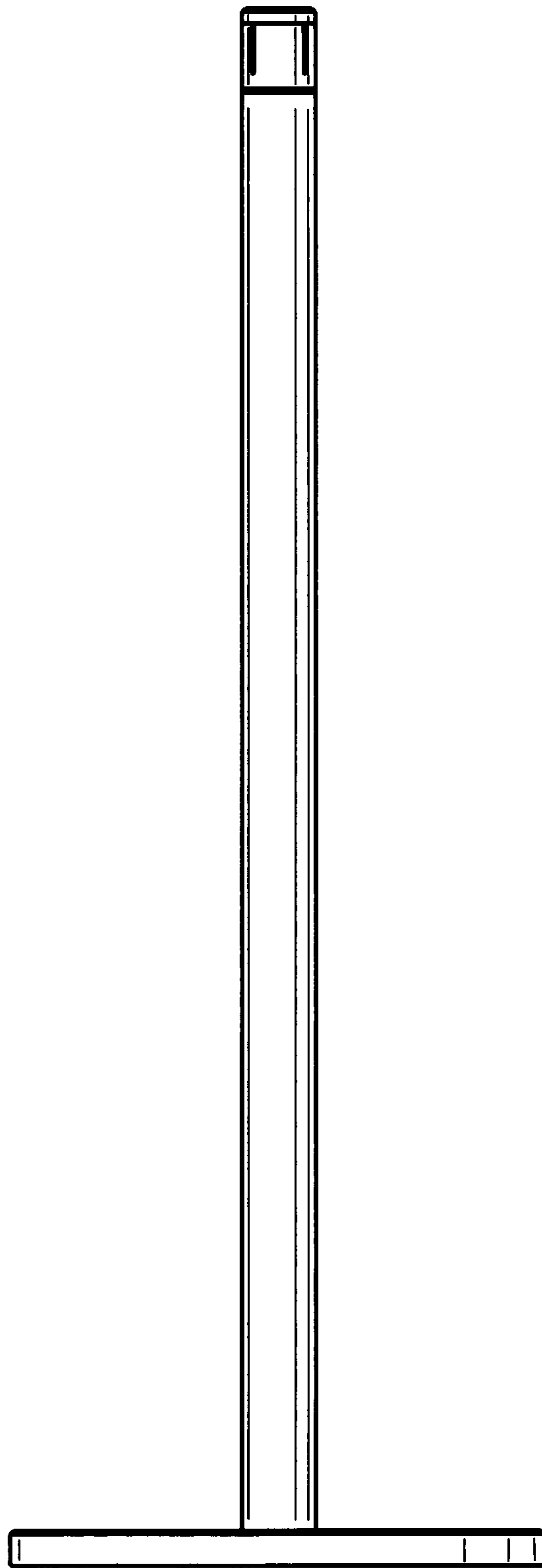
**FIG. 1**



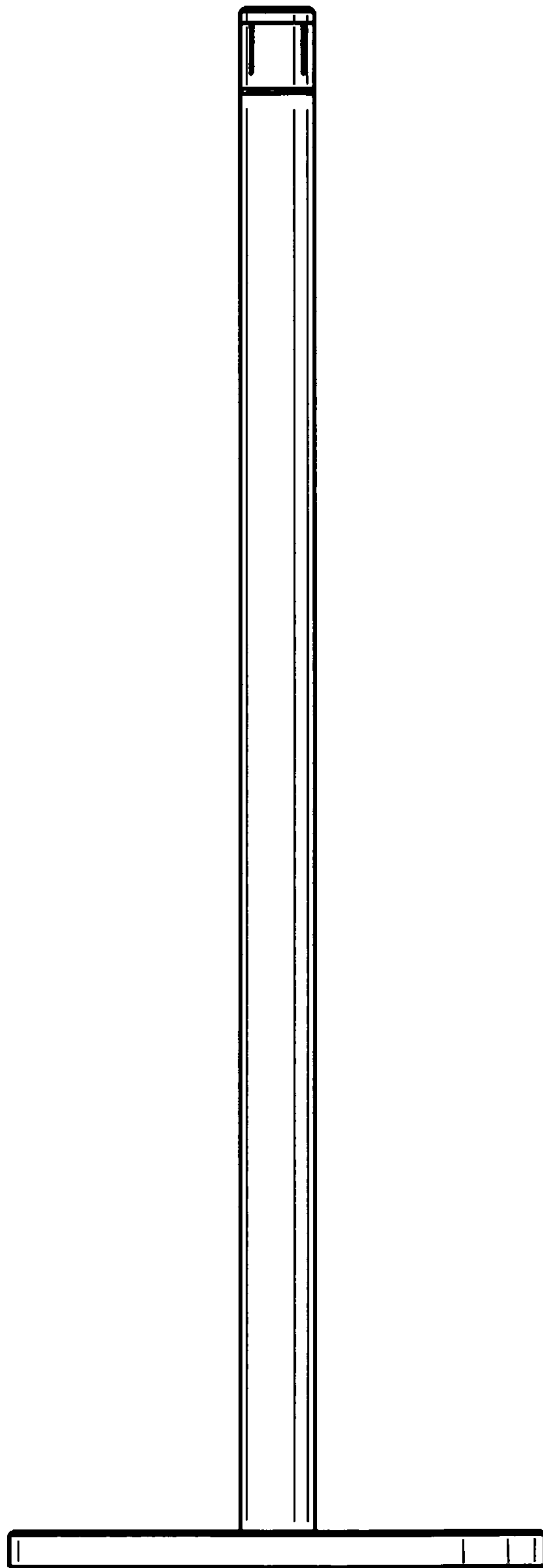
**FIG. 2**



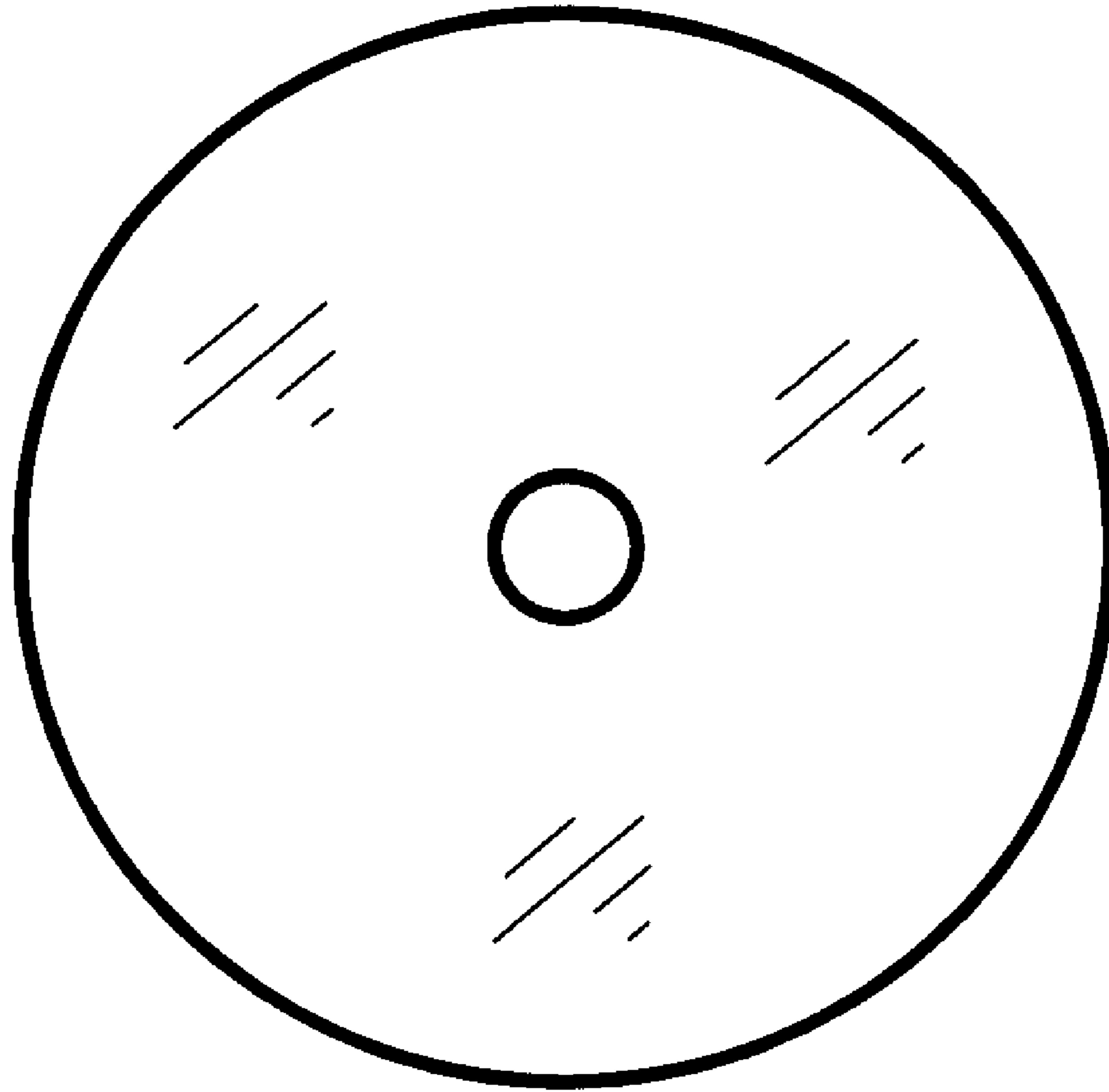
**FIG. 3**



**FIG. 4**

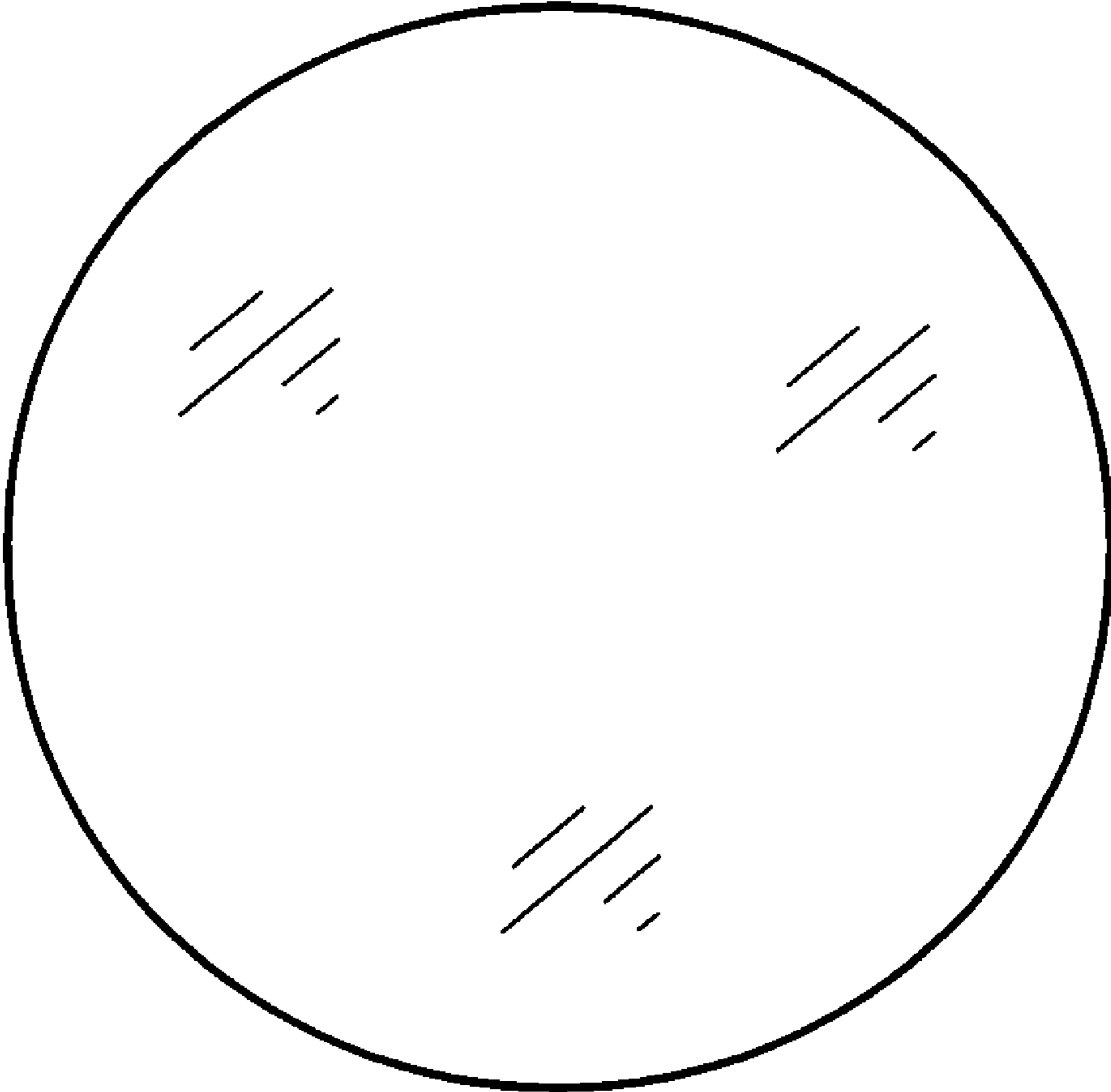


**FIG. 5**

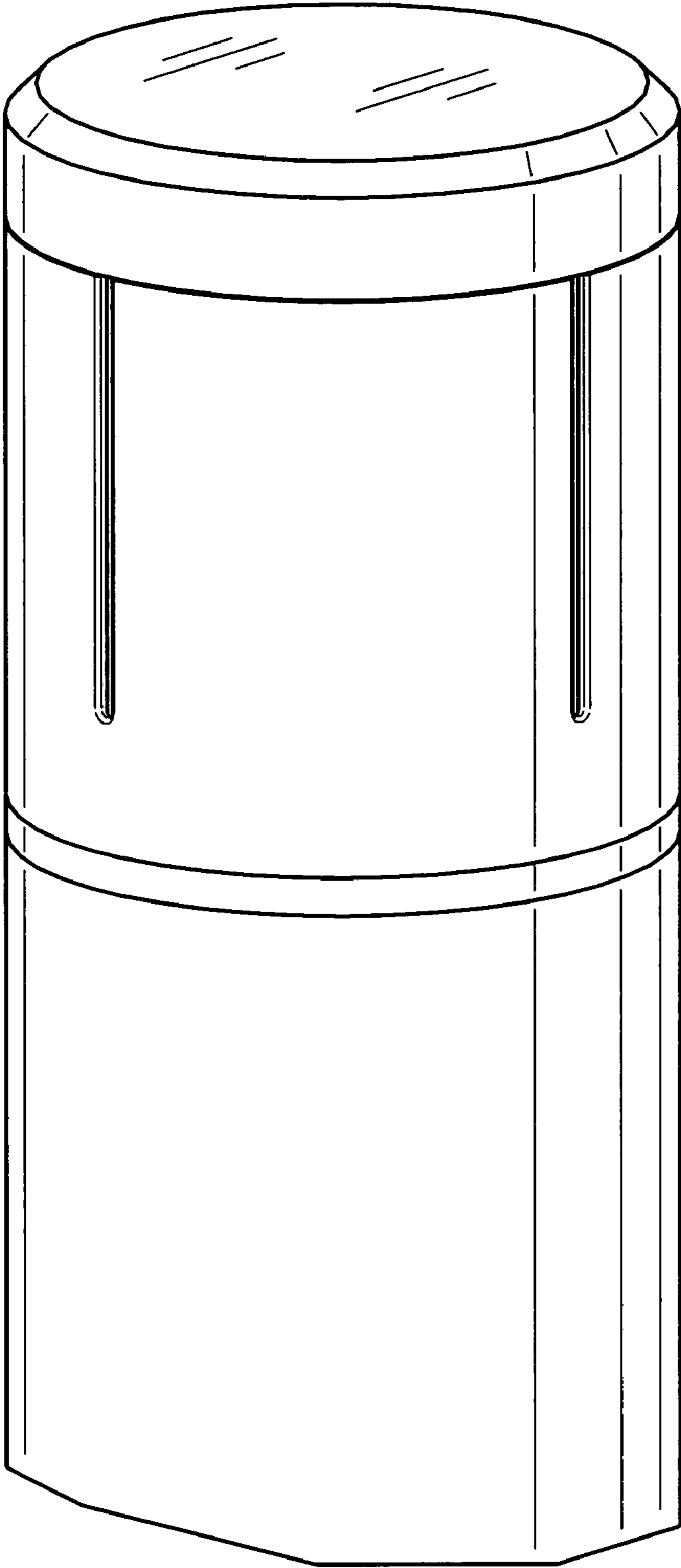


**FIG. 6**

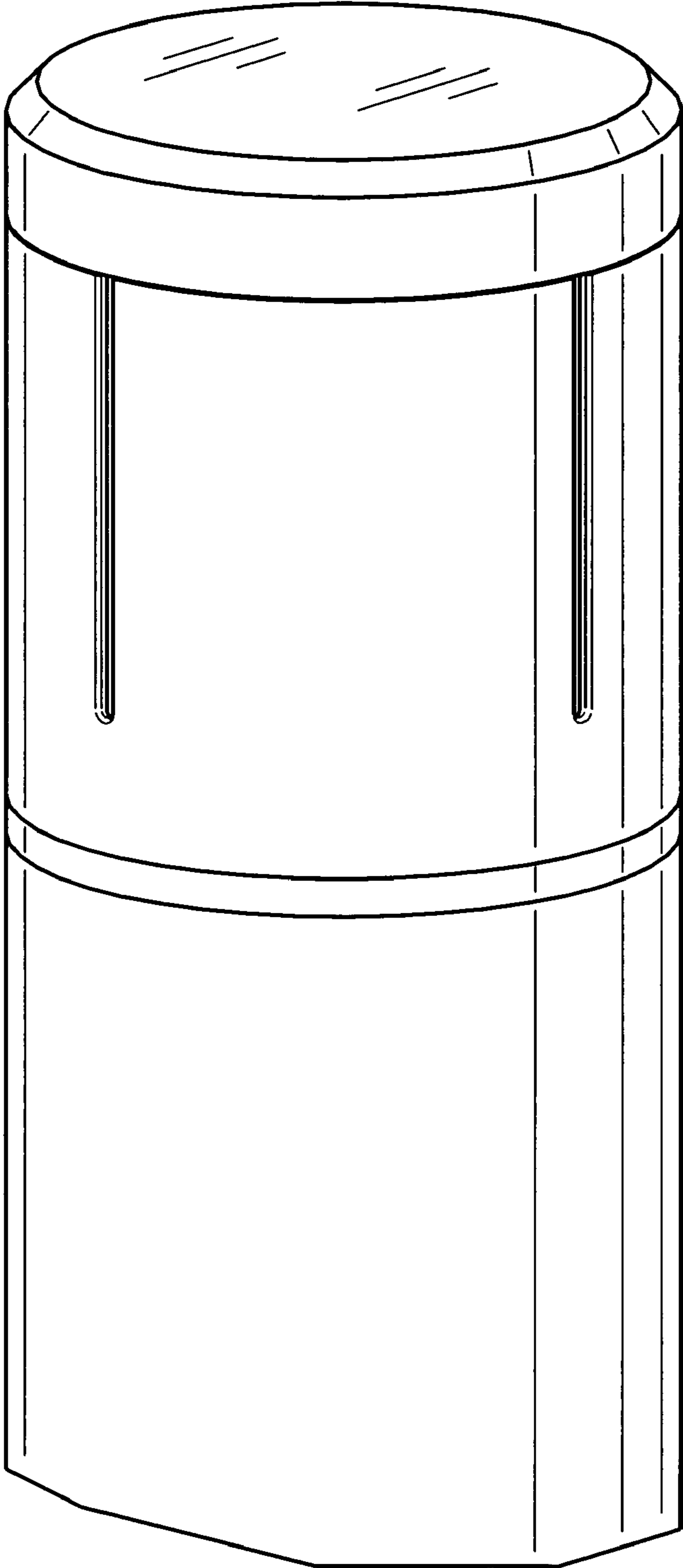




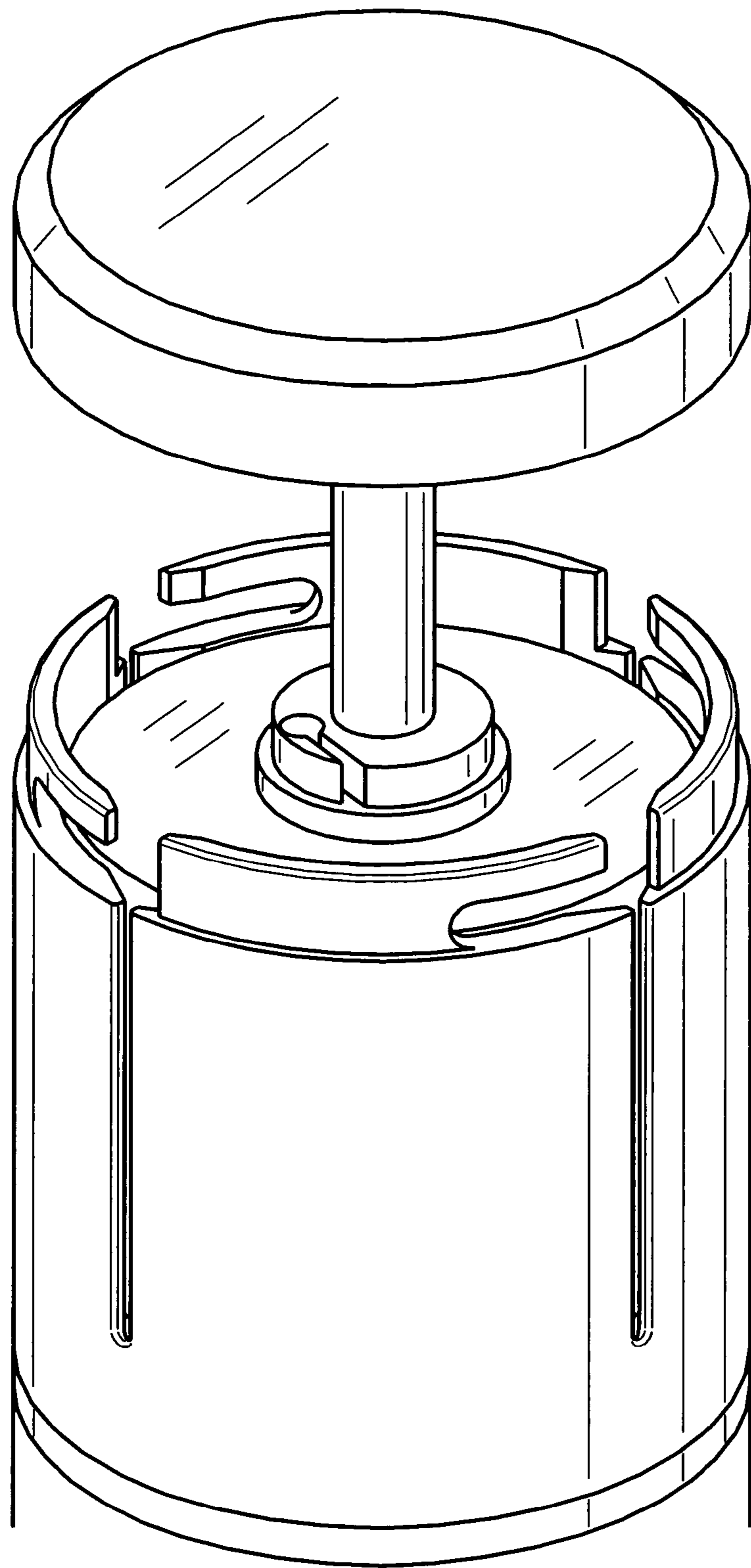
**FIG. 7**



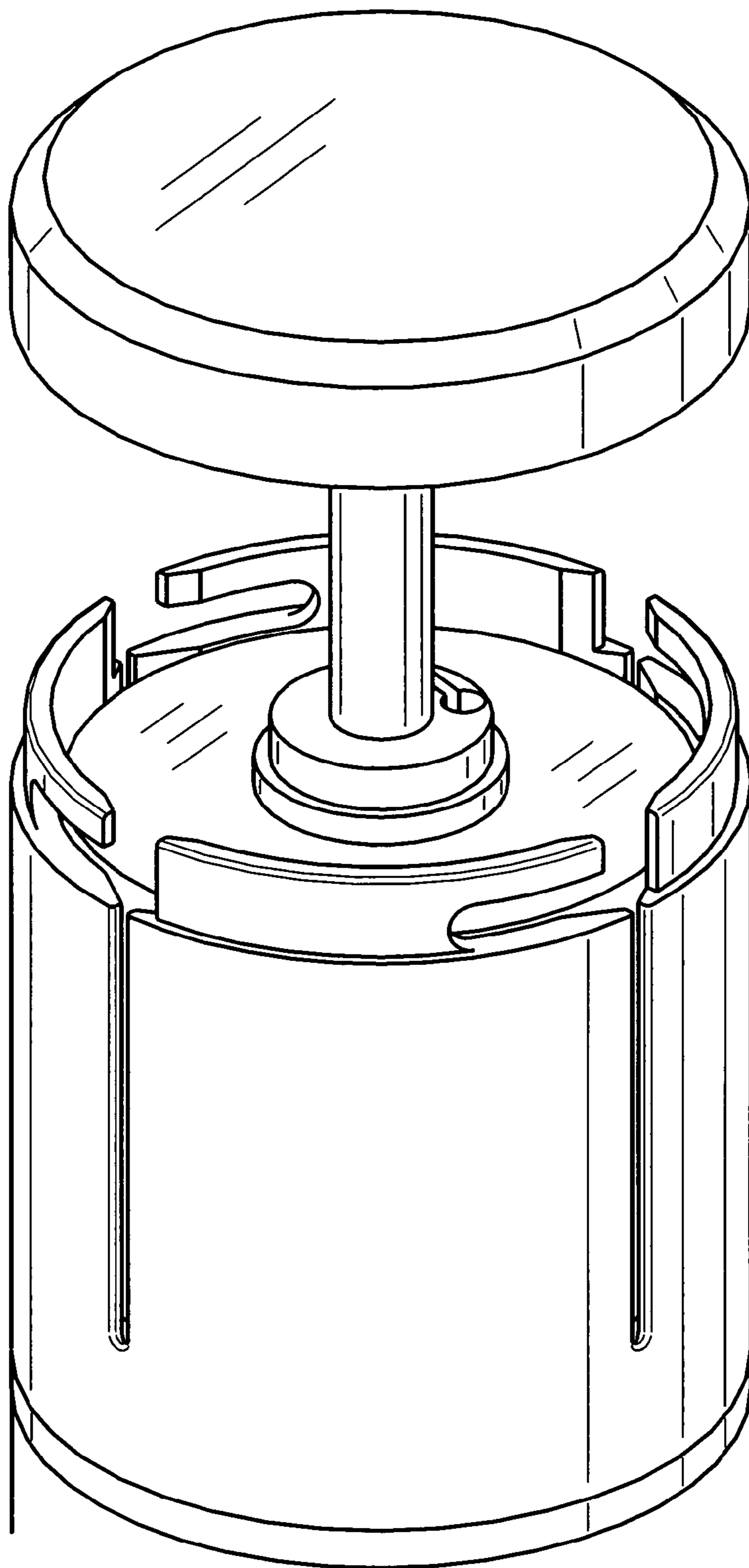
**FIG. 8**



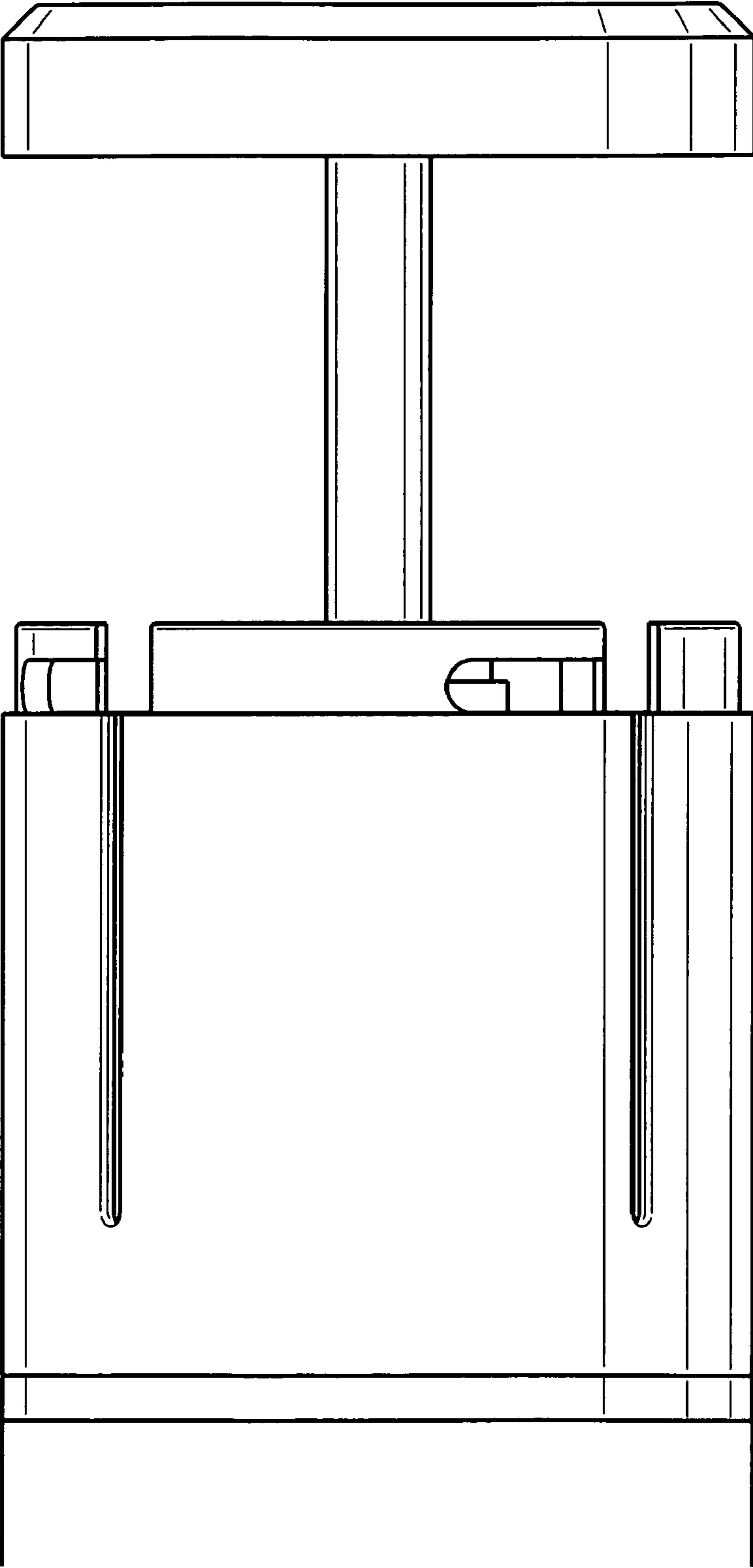
**FIG. 9**



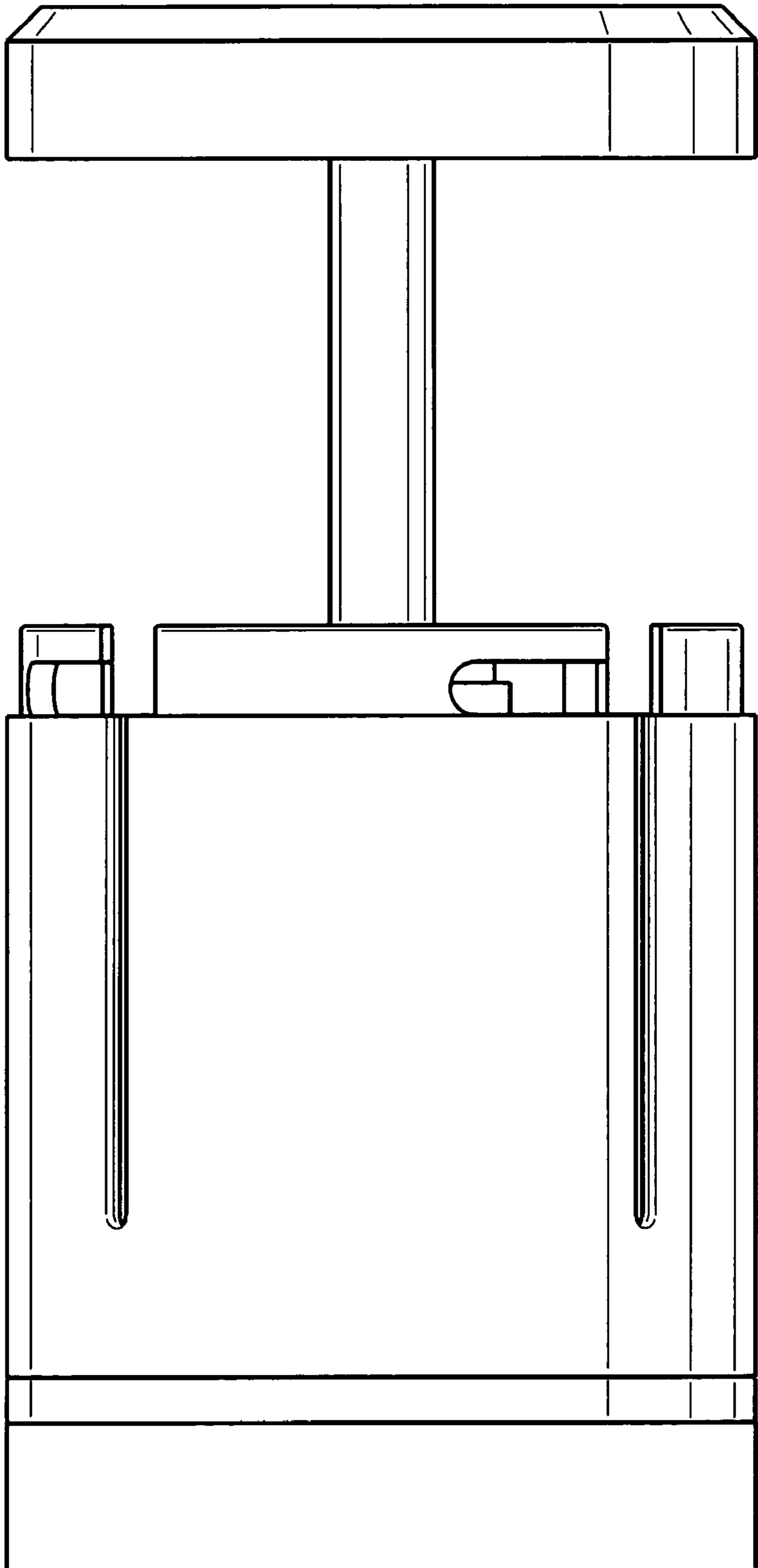
**FIG. 10**



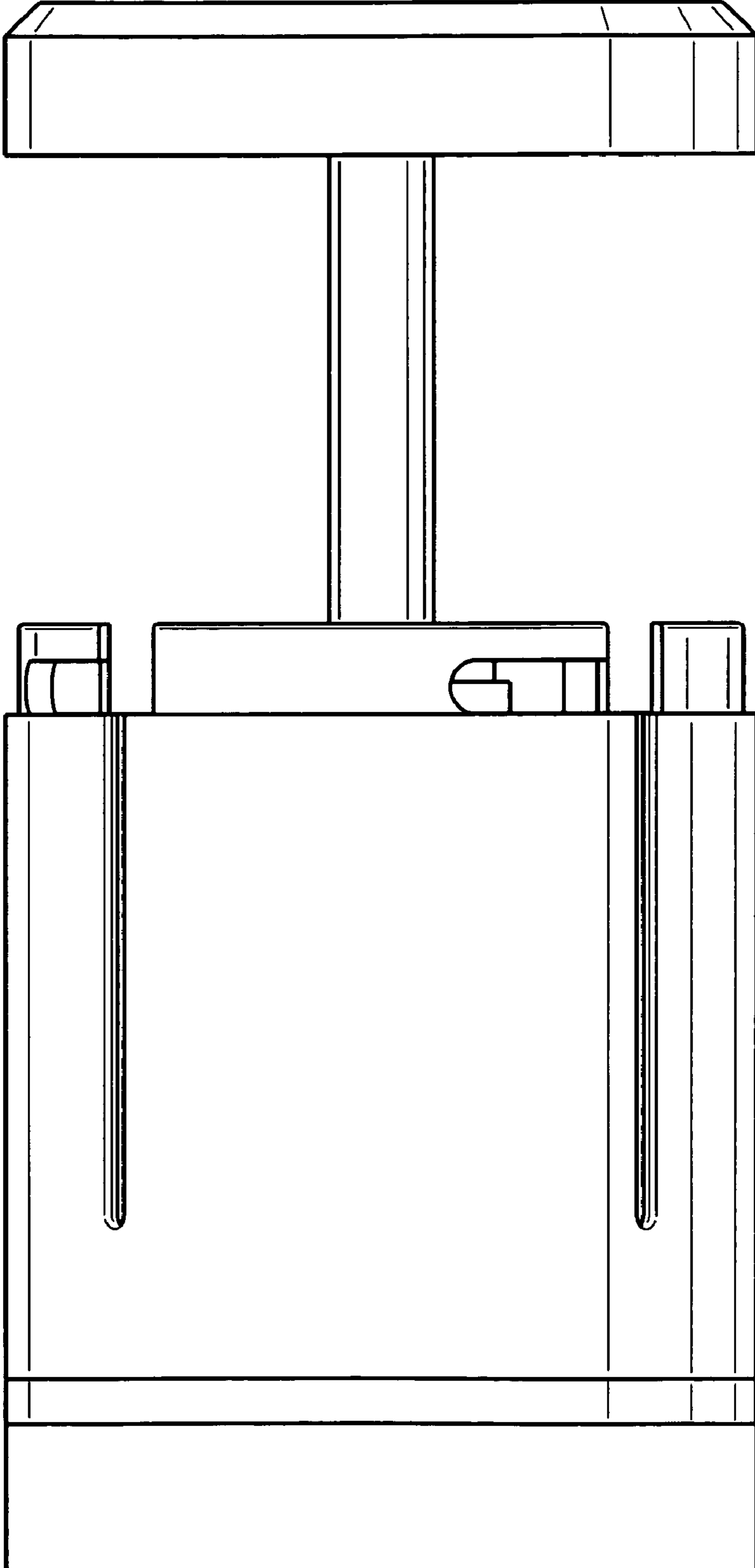
**FIG. 11**



**FIG. 12**

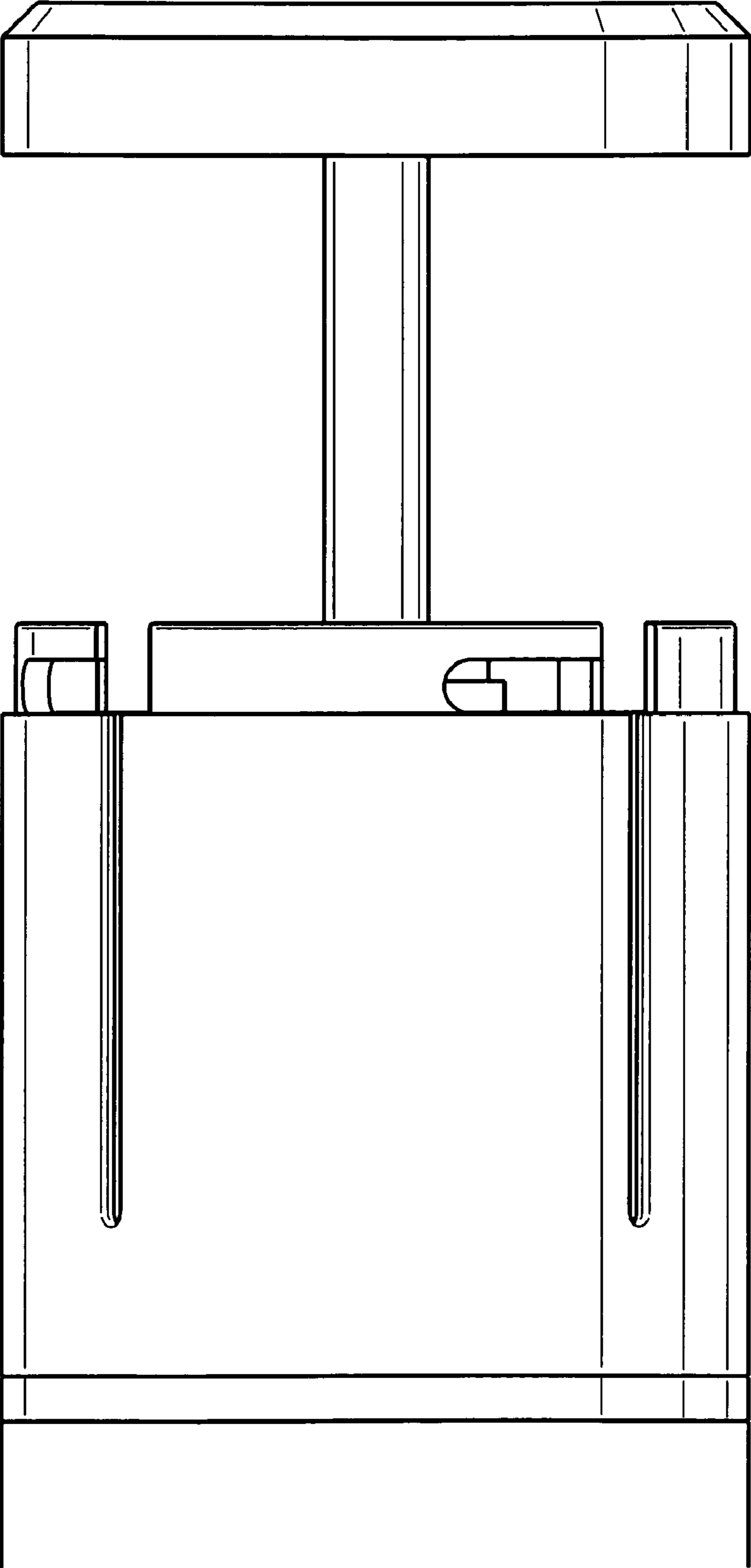


**FIG. 13**



**FIG. 14**





**FIG. 15**