



US00D625527S

(12) **United States Design Patent**
Moore et al.

(10) **Patent No.:** **US D625,527 S**

(45) **Date of Patent:** **** Oct. 19, 2010**

(54) **ROCKET SHAPED DISPLAY TREE**

(76) Inventors: **Brunhilde R. Moore**, 47700 Mines Rd.,
Livermore, CA (US) 94550; **Janette M.**
Christiansen, 47700 Mines Rd.,
Livermore, CA (US) 94550

(**) Term: **14 Years**

(21) Appl. No.: **29/353,094**

(22) Filed: **Dec. 31, 2009**

(51) **LOC (9) Cl.** **06-04**

(52) **U.S. Cl.** **D6/415**

(58) **Field of Classification Search** D6/450,
D6/458, 457, 449, 474, 464, 415, 411; 211/13.1,
211/85.3, 30, 33, 205, 196; 312/204; 446/230
See application file for complete search history.

(56) **References Cited**

U.S. PATENT DOCUMENTS

D40,612 S *	4/1910	Owens	D6/450
D41,688 S *	8/1911	Hohner	D6/458
D50,823 S *	5/1917	Stetson	D6/450
D60,193 S *	1/1922	Mason	D6/450
6,752,682 B1 *	6/2004	Ferrell	446/230
D534,373 S *	1/2007	Robbins, III	D6/457

* cited by examiner

Primary Examiner—Philip S Hyder
Assistant Examiner—Sydney R Buffalow

(74) *Attorney, Agent, or Firm*—Randick O’Dea & Tooliatos,
LLP; Paul Martin; John Nielsen

(57) **CLAIM**

The ornamental design for a rocket shaped display tree, as shown and described.

DESCRIPTION

FIG. 1 is a perspective view of a rocket shaped display tree showing our new design;

FIG. 2 is a front elevational view of the rocket shaped display tree of this invention shown in FIG. 1.

FIG. 3 is a right side elevational view of the rocket shaped display tree of this invention shown in FIG. 1.

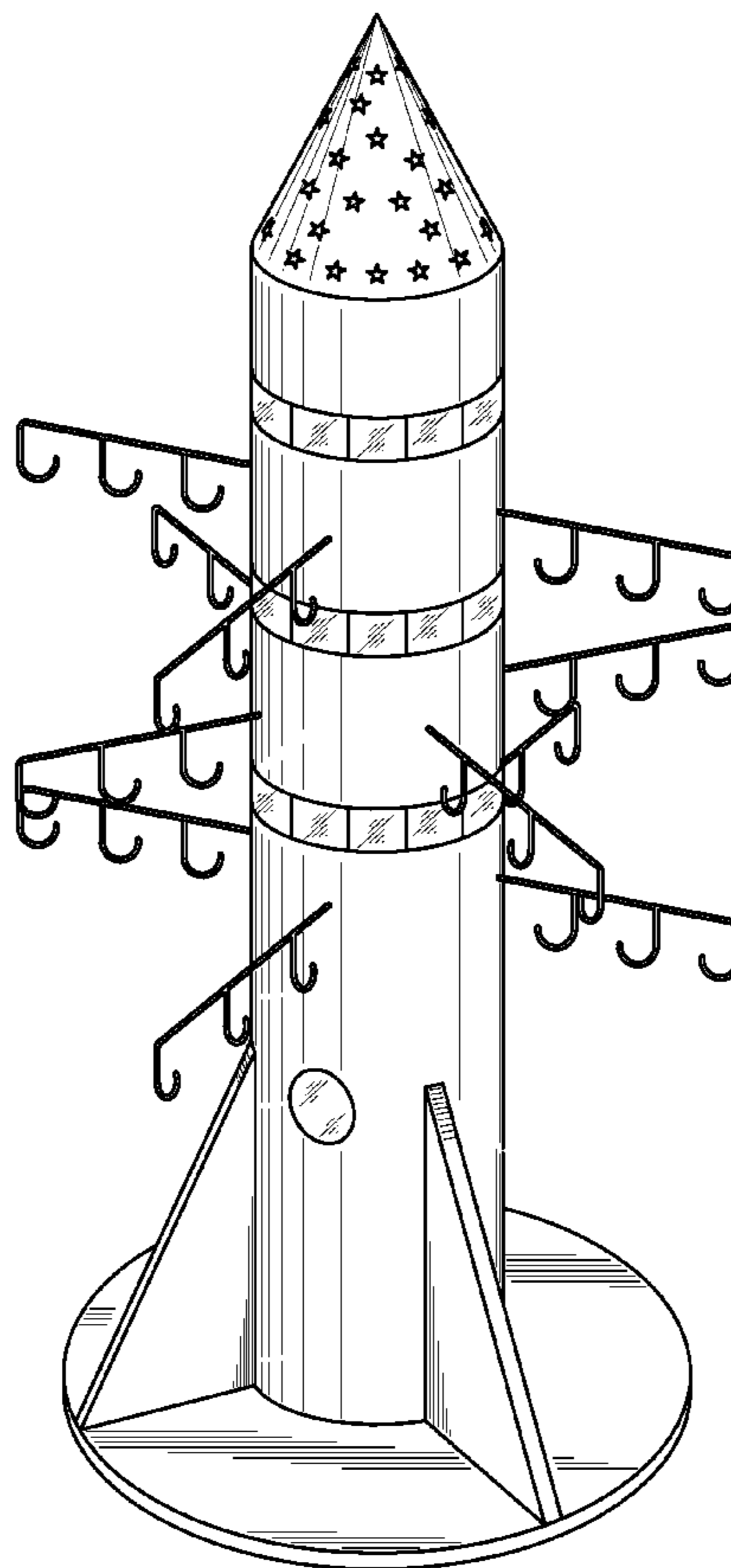
FIG. 4 is a rear elevational view of the rocket shaped display tree of this invention shown in FIG. 1.

FIG. 5 is a left side elevational view of the rocket shaped display tree of this invention shown in FIG. 1.

FIG. 6 is a top plan view of the rocket shaped display tree of this invention shown in FIG. 1; and,

FIG. 7 is a bottom plan view of the rocket shaped display tree of this invention shown in FIG. 1.

1 Claim, 7 Drawing Sheets



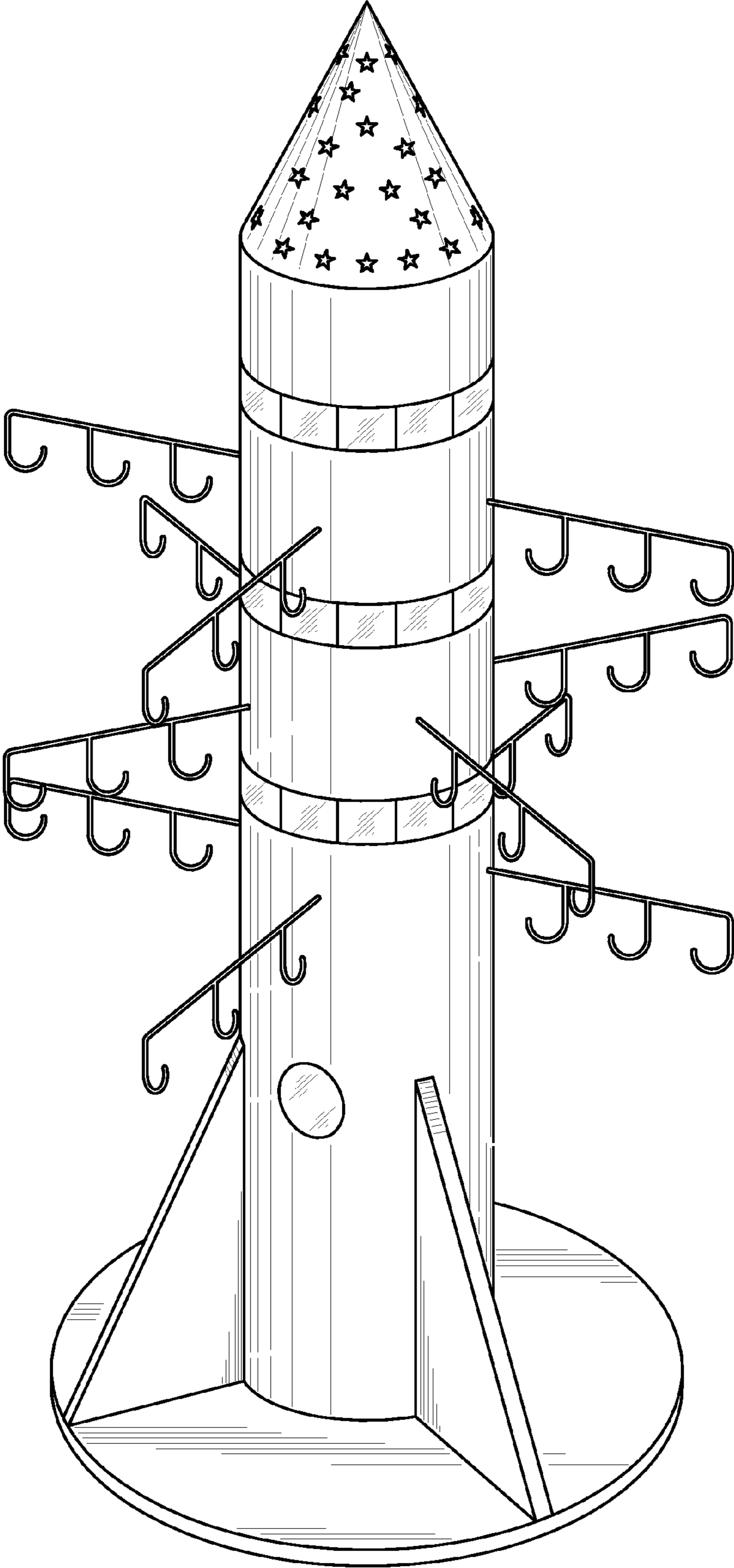


FIG. 1

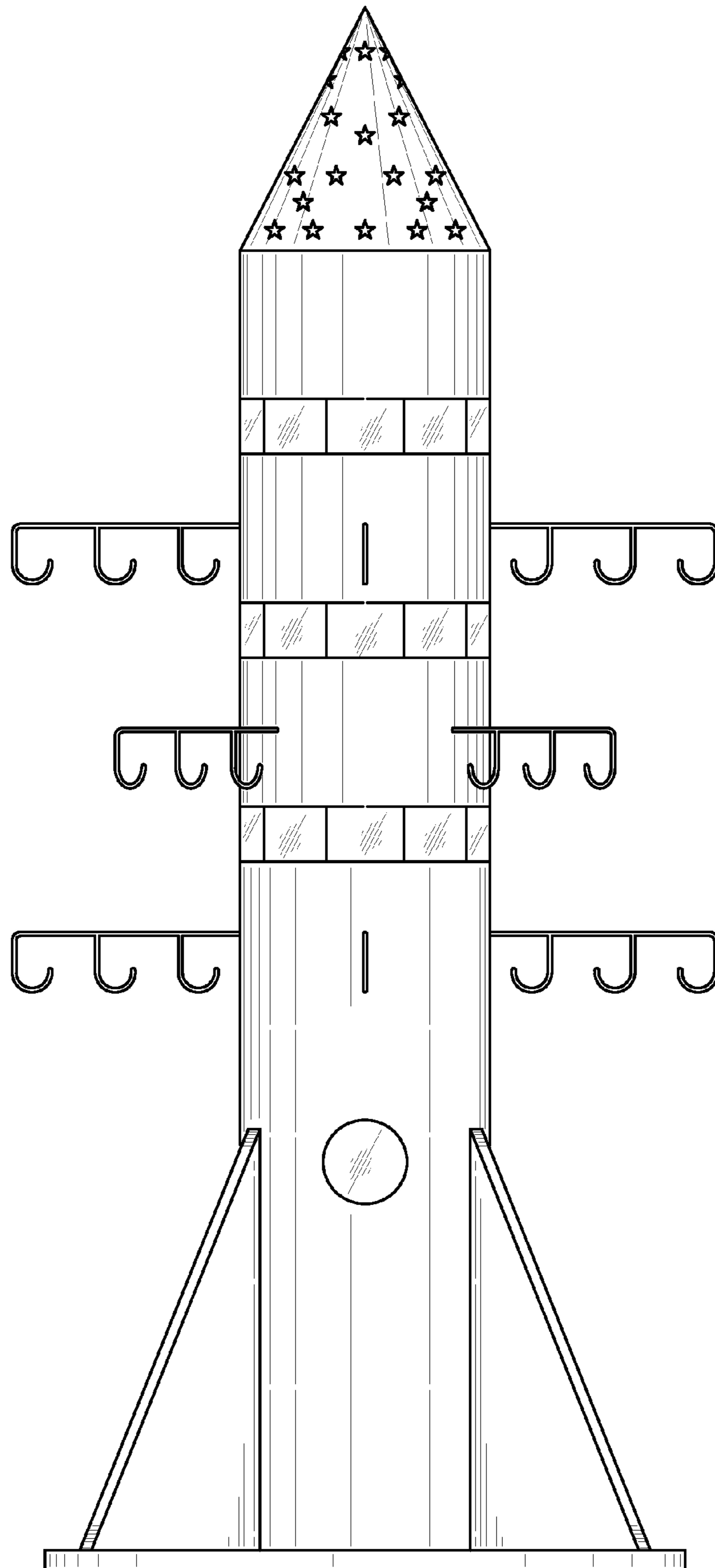


FIG. 2

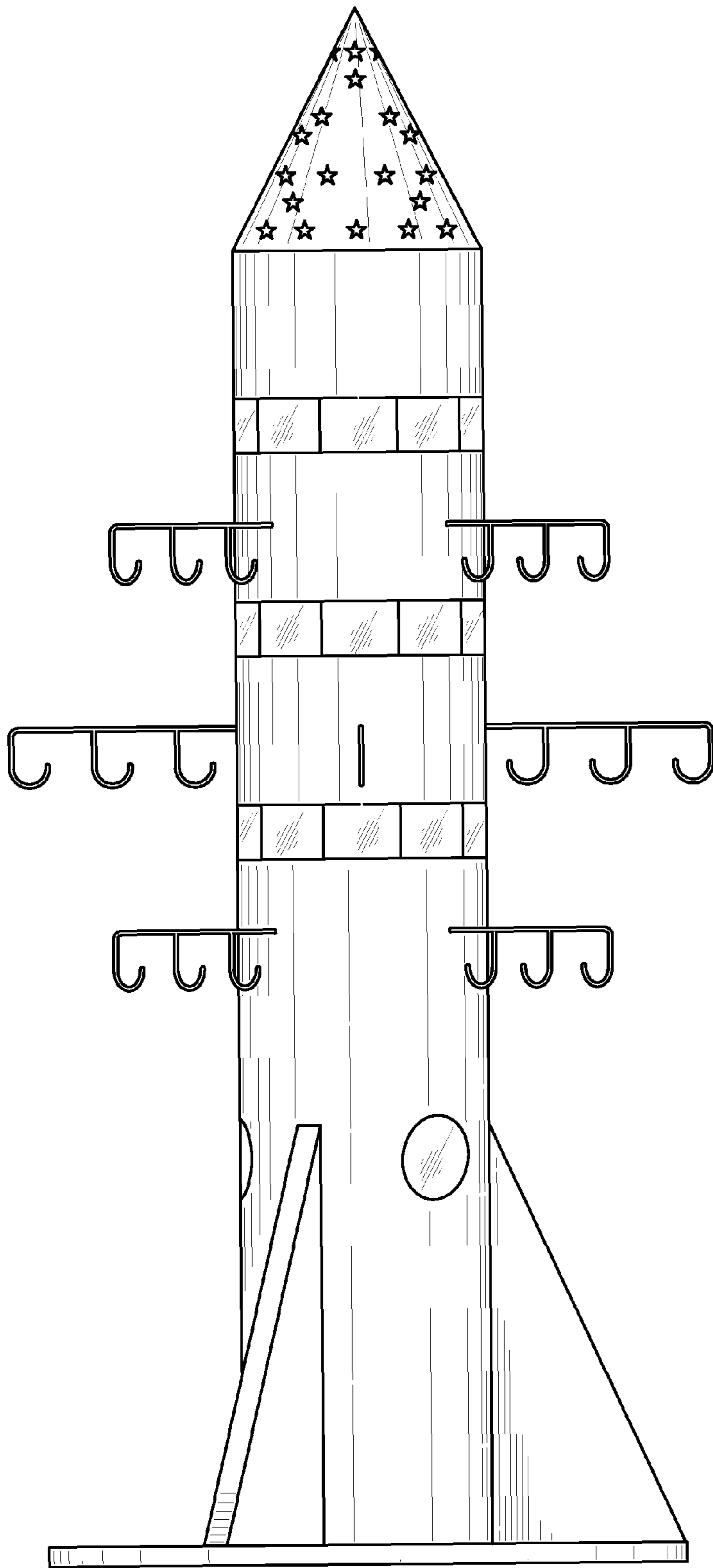


FIG. 3

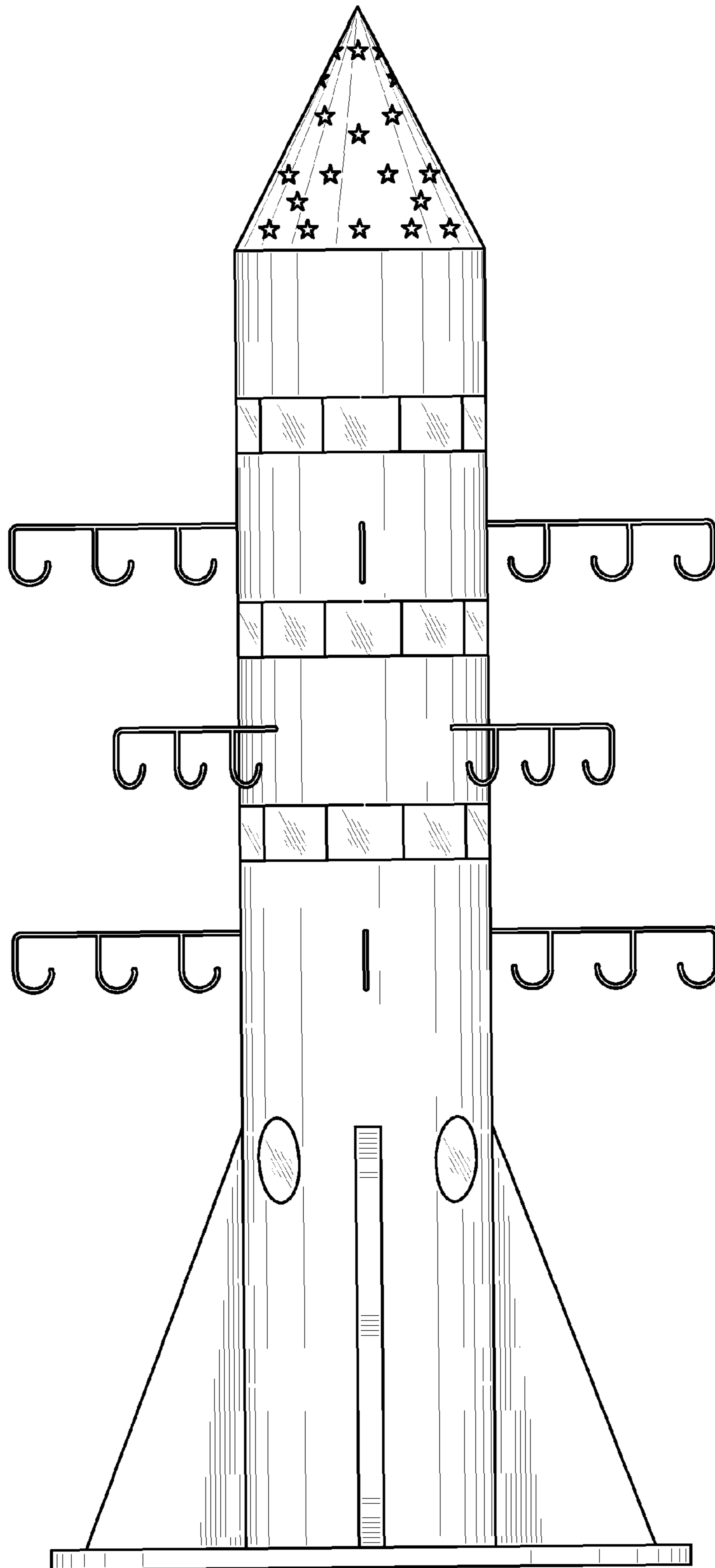


FIG. 4

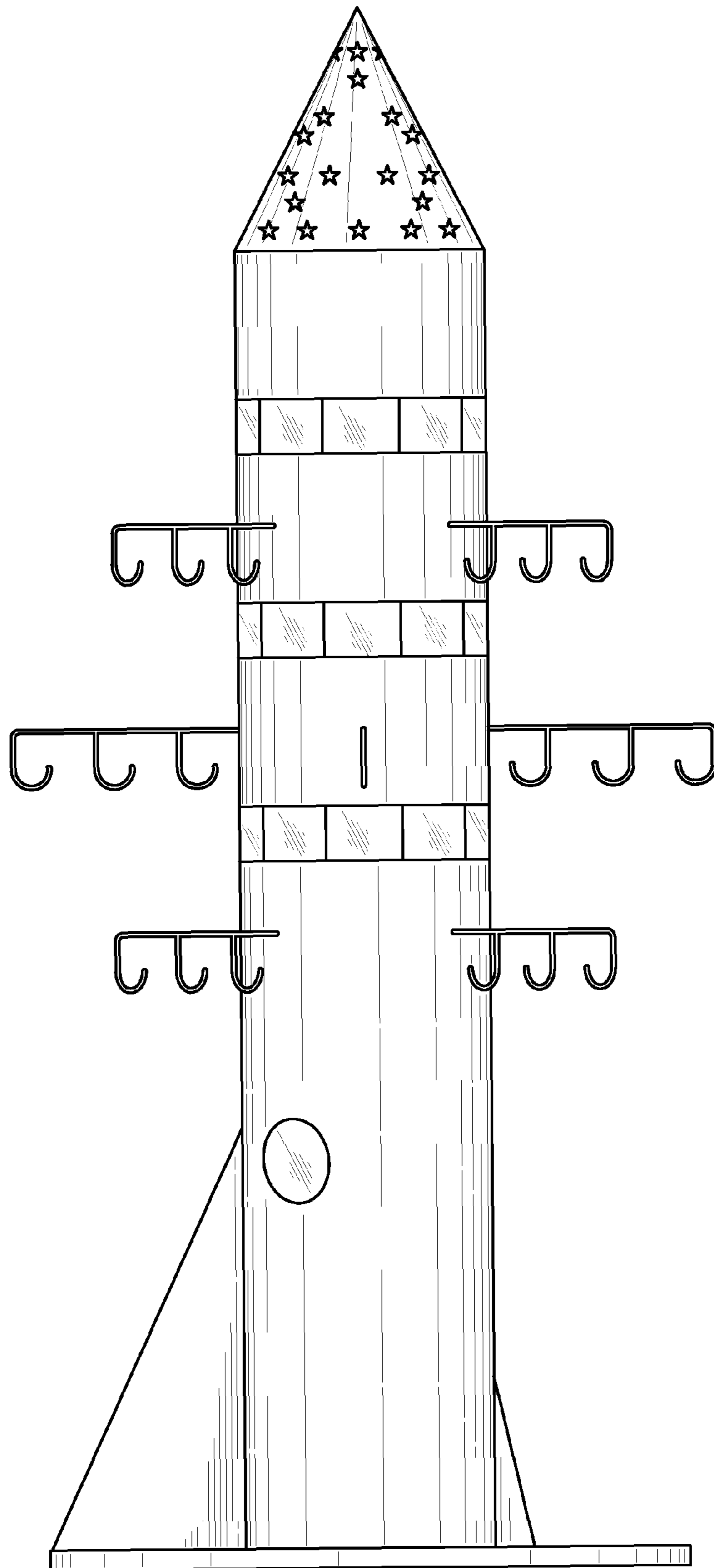


FIG. 5

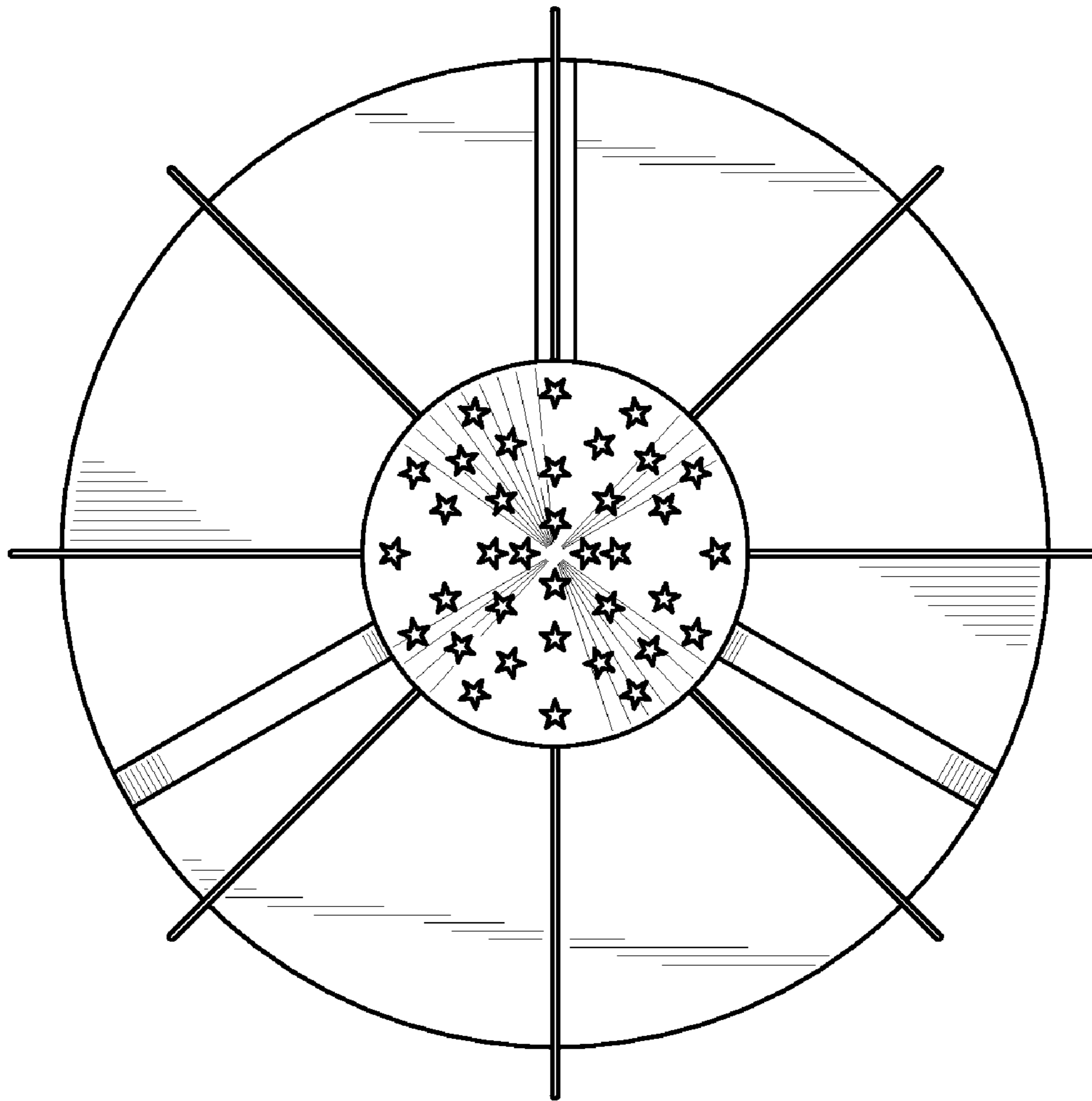


FIG. 6

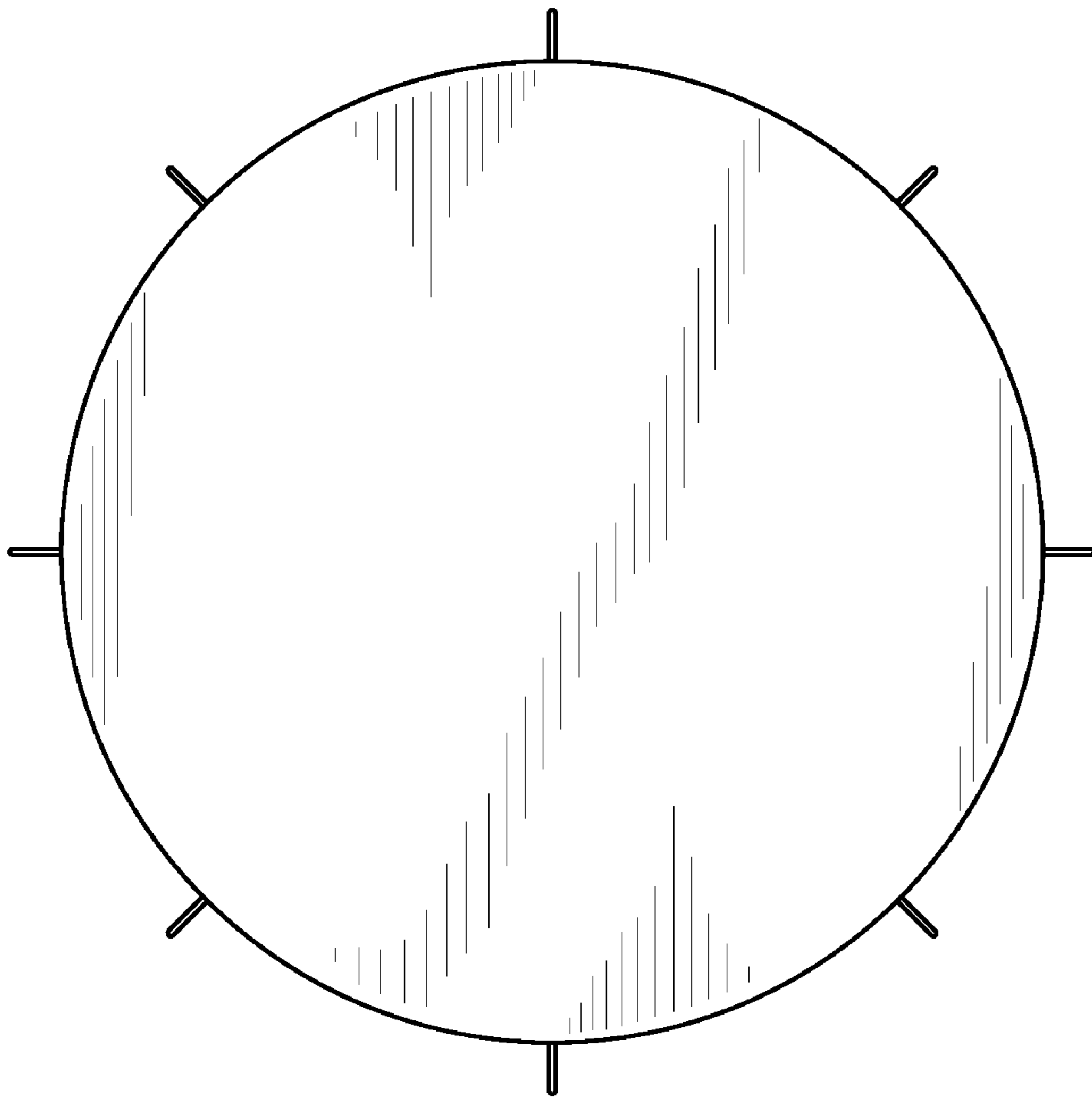


FIG. 7