



US00D625526S

(12) **United States Design Patent**
Liuhong et al.

(10) **Patent No.:** **US D625,526 S**

(45) **Date of Patent:** **** *Oct. 19, 2010**

(54) **TOOL CHEST CREEPER SEAT WITH TRAYS**

(75) Inventors: **Ding Liuhong**, Taixing (CN); **Xie Cuibin**, Taixing (CN)

(73) Assignee: **MVP (HK) Industries, Ltd.**, Hong Kong (HK)

(*) Notice: This patent is subject to a terminal disclaimer.

(**) Term: **14 Years**

(21) Appl. No.: **29/327,702**

(22) Filed: **Nov. 11, 2008**

(51) **LOC (9) Cl.** **06-01**

(52) **U.S. Cl.** **D6/335**

(58) **Field of Classification Search** D6/335,
D6/336, 340, 364, 367, 491, 495, 500-502,
D6/349; D34/23; 297/195.1, 195.11, 175,
297/199, 200

See application file for complete search history.

(56) **References Cited**

U.S. PATENT DOCUMENTS

D132,963 S	*	7/1942	Salomon	D6/510
D351,508 S	*	10/1994	Bonazza	D6/336
D399,626 S	*	10/1998	Taylor	D34/23
D410,128 S	*	5/1999	Dallas et al.	D34/23
D424,328 S	*	5/2000	Dominik	D6/445
D511,416 S	*	11/2005	Obbitts et al.	D6/336
D530,108 S	*	10/2006	Whiteside et al.	D6/349
D531,423 S	*	11/2006	Whiteside et al.	D6/367
D555,920 S	*	11/2007	Whiteside et al.	D6/349
D579,679 S	*	11/2008	Qian et al.	D6/349
D586,132 S	*	2/2009	Liuhong et al.	D6/335

7,658,442 B1 * 2/2010 Whiteside et al. 297/188.11

* cited by examiner

Primary Examiner—Sandra Snapp

(74) *Attorney, Agent, or Firm*—Lathrop & Gage LLP

(57) **CLAIM**

The ornamental design for a tool chest creeper seat with trays, as shown and described.

DESCRIPTION

The present document contains material related to the material of copending, cofiled on even date herewith, U.S. patent application Ser. No. 12/268,870, entitled Tool Chest Creeper Seat, the disclosure of which is hereby incorporated herein by reference.

FIG. 1 is a rear perspective view of the tool chest creeper seat with trays;

FIG. 2 is a rear side view of the tool chest creeper seat with trays, shown in FIG. 1;

FIG. 3 is a top view of the tool chest creeper seat with trays, shown in FIG. 1;

FIG. 4 is a right side view of the tool chest creeper seat with trays, shown in FIG. 1;

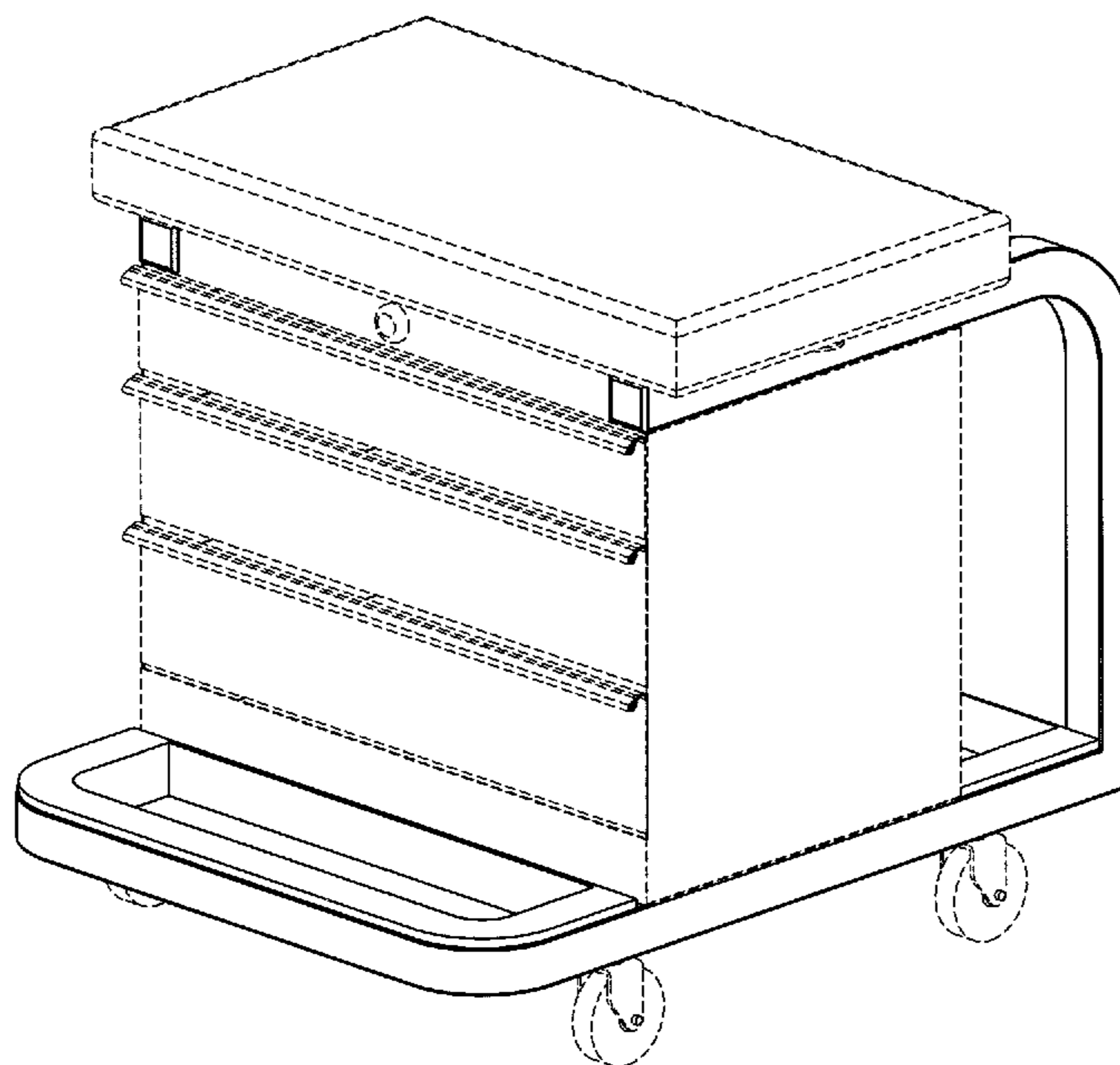
FIG. 5 is a left side view of the tool chest creeper seat with trays, shown in FIG. 1;

FIG. 6 is a front view of the tool chest creeper seat with trays, shown in FIG. 1; and,

FIG. 7 is a bottom view of the tool chest creeper seat with trays, shown in FIG. 1.

In FIGS. 1-7, the details shown in broken lines are for illustrative purposes only and form no part of the claimed design.

1 Claim, 4 Drawing Sheets



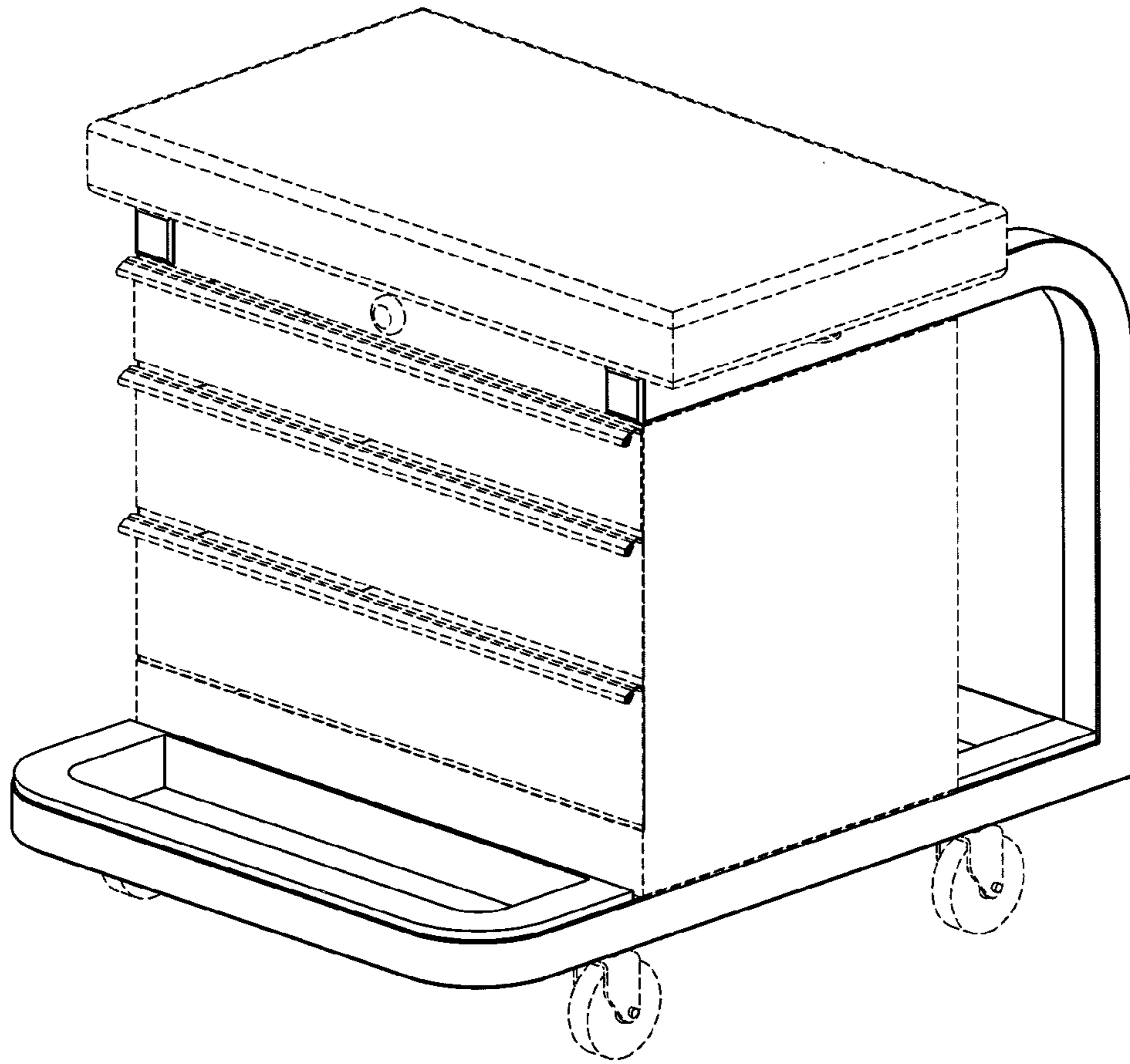


FIG.1

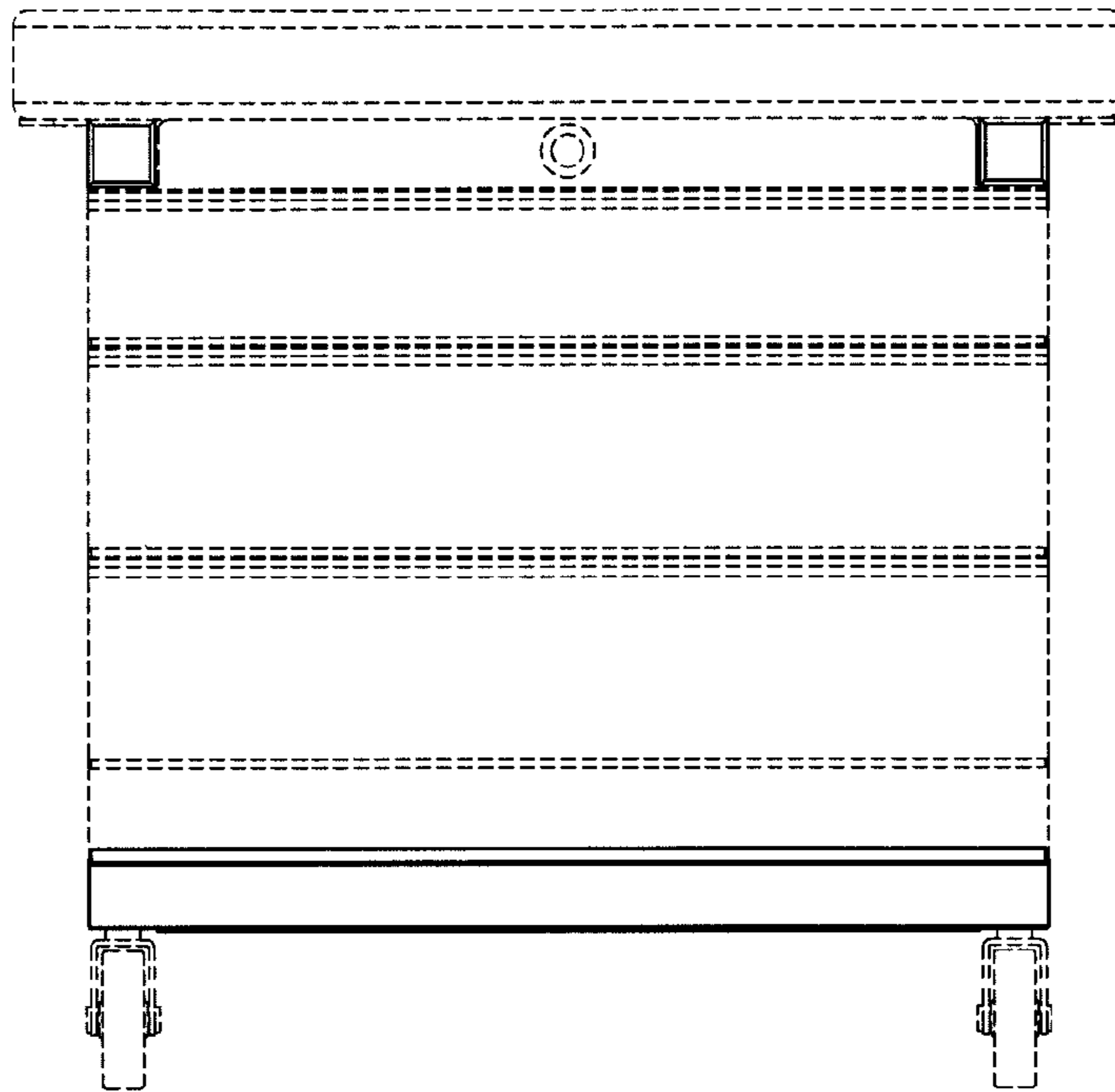


FIG. 2

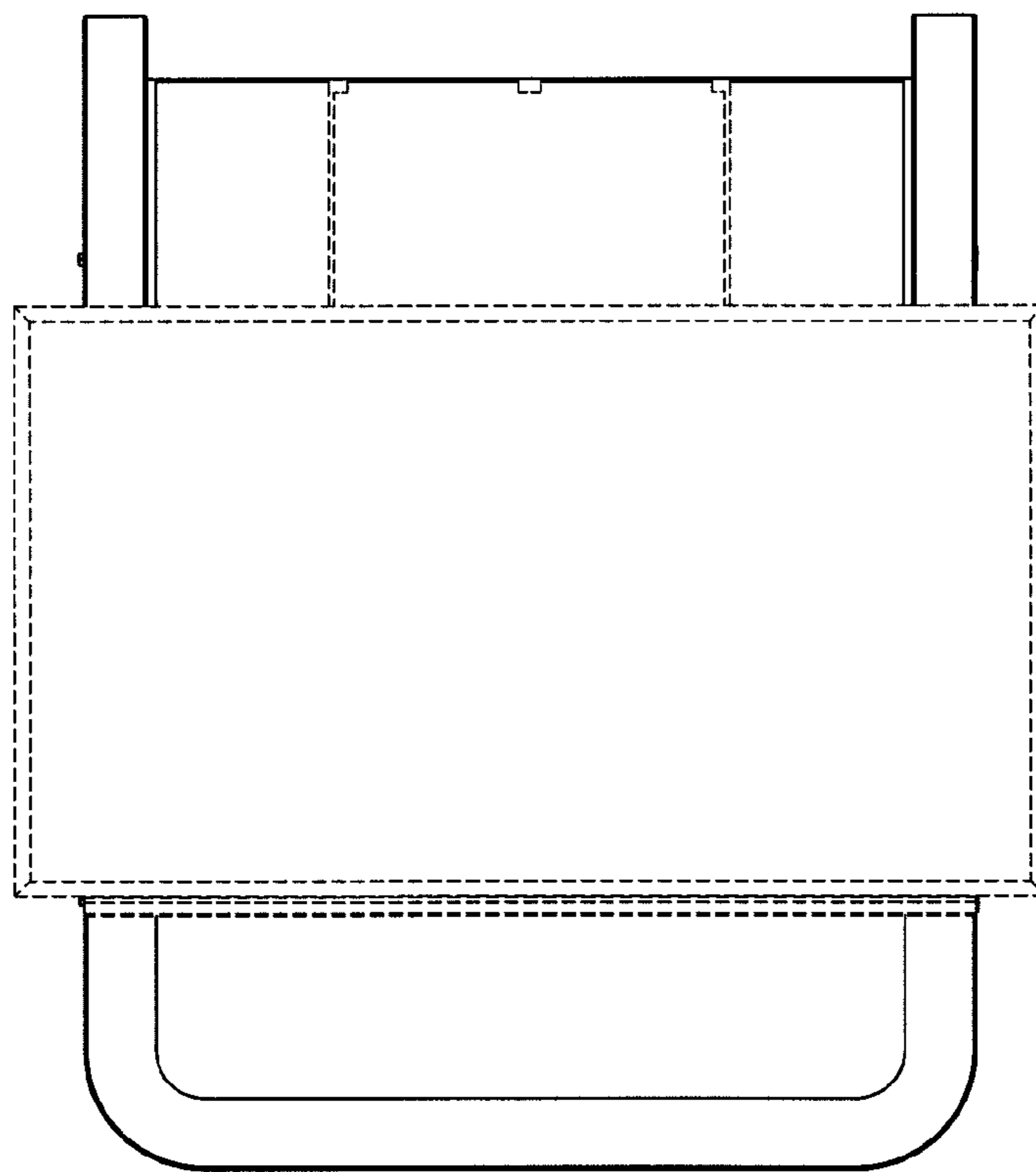


FIG. 3

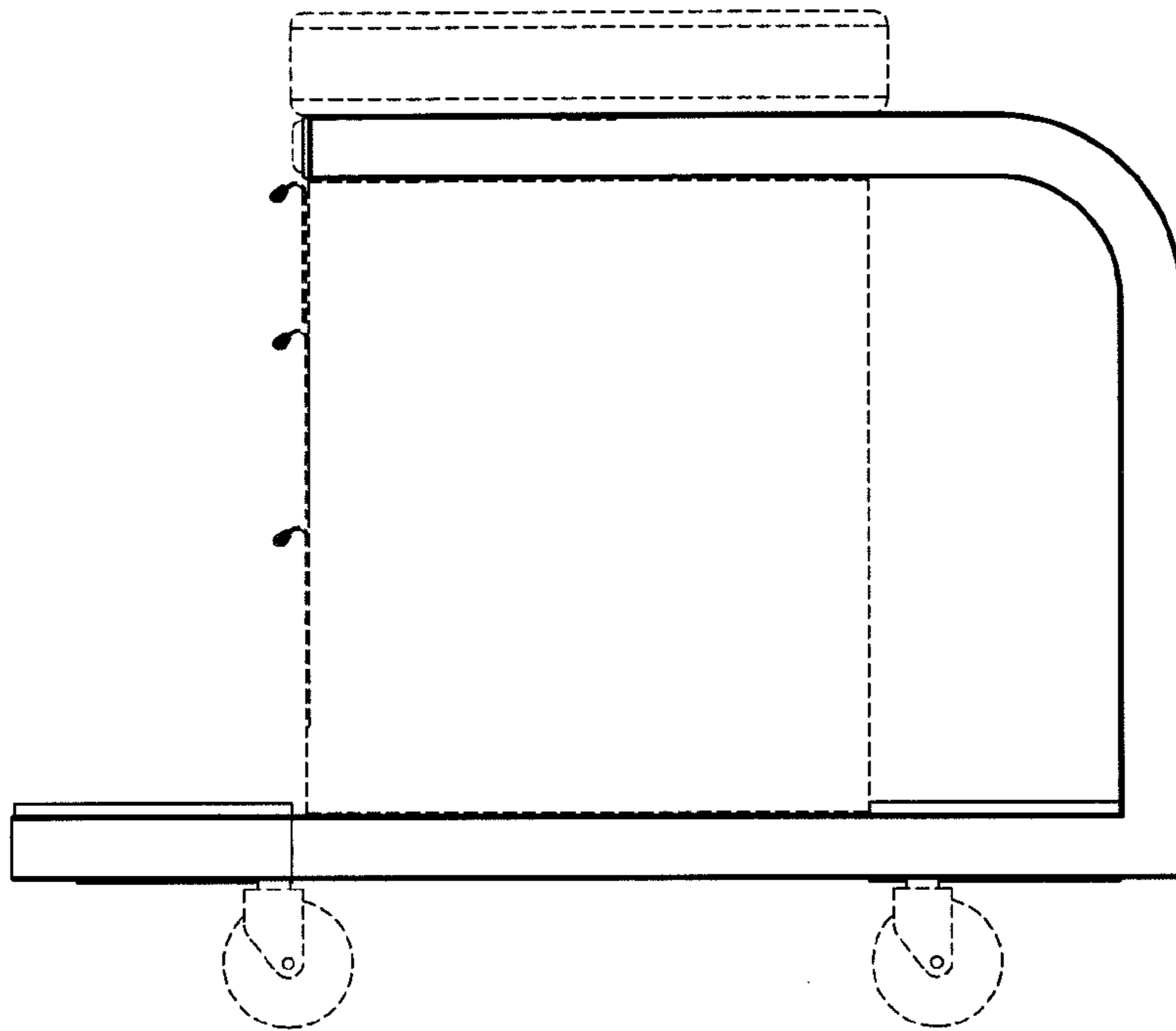


FIG. 4

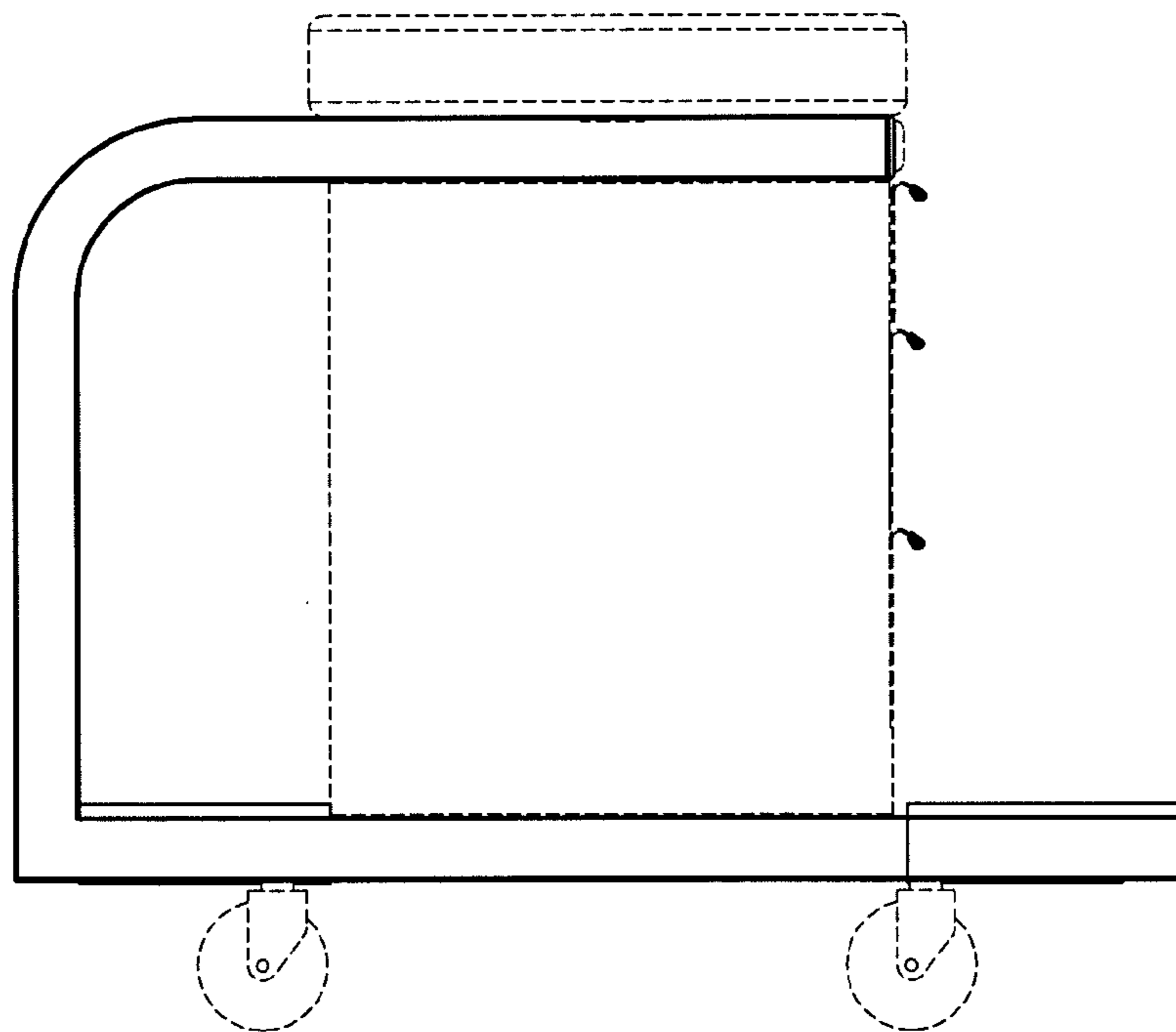


FIG. 5

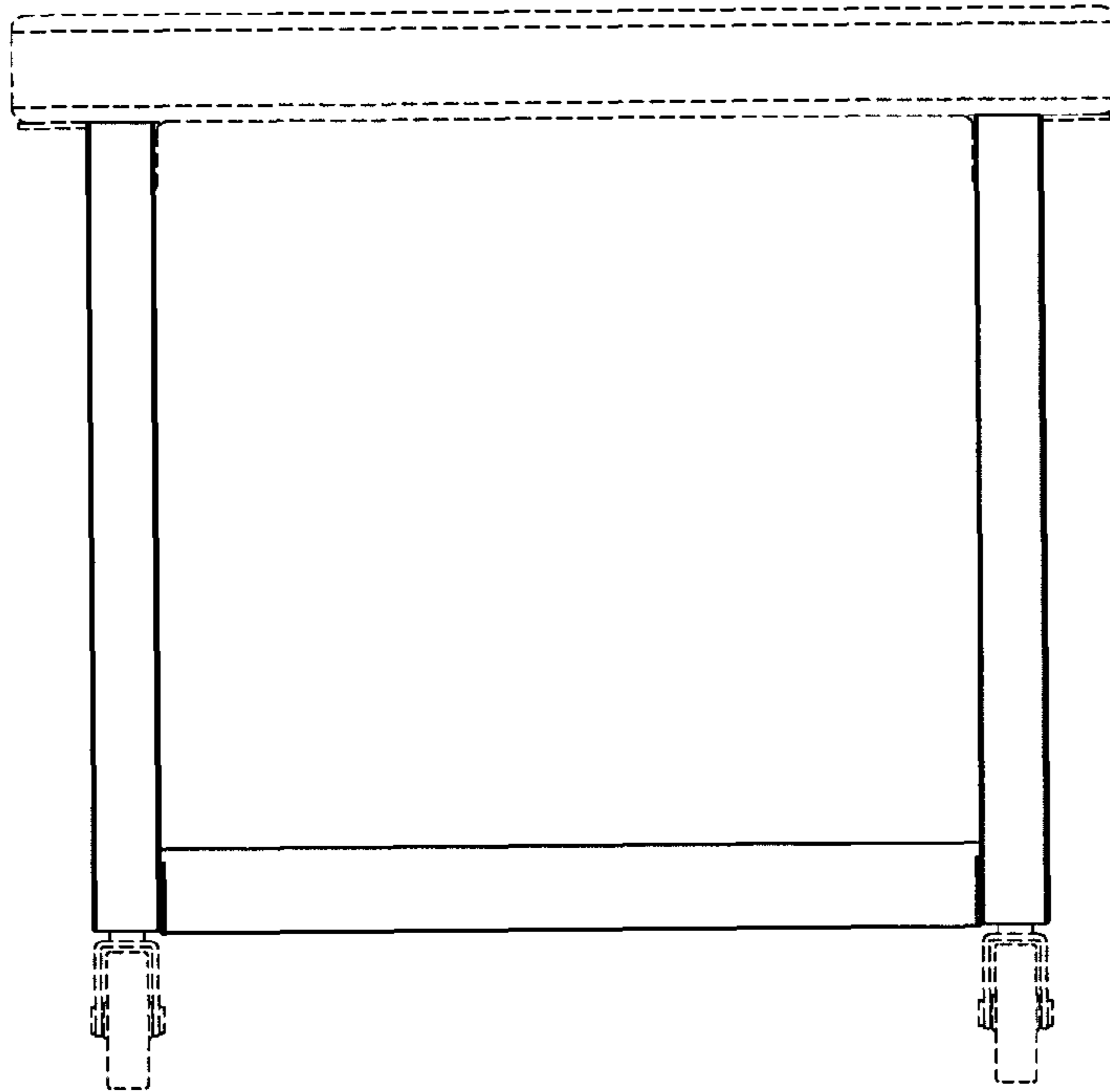


FIG. 6

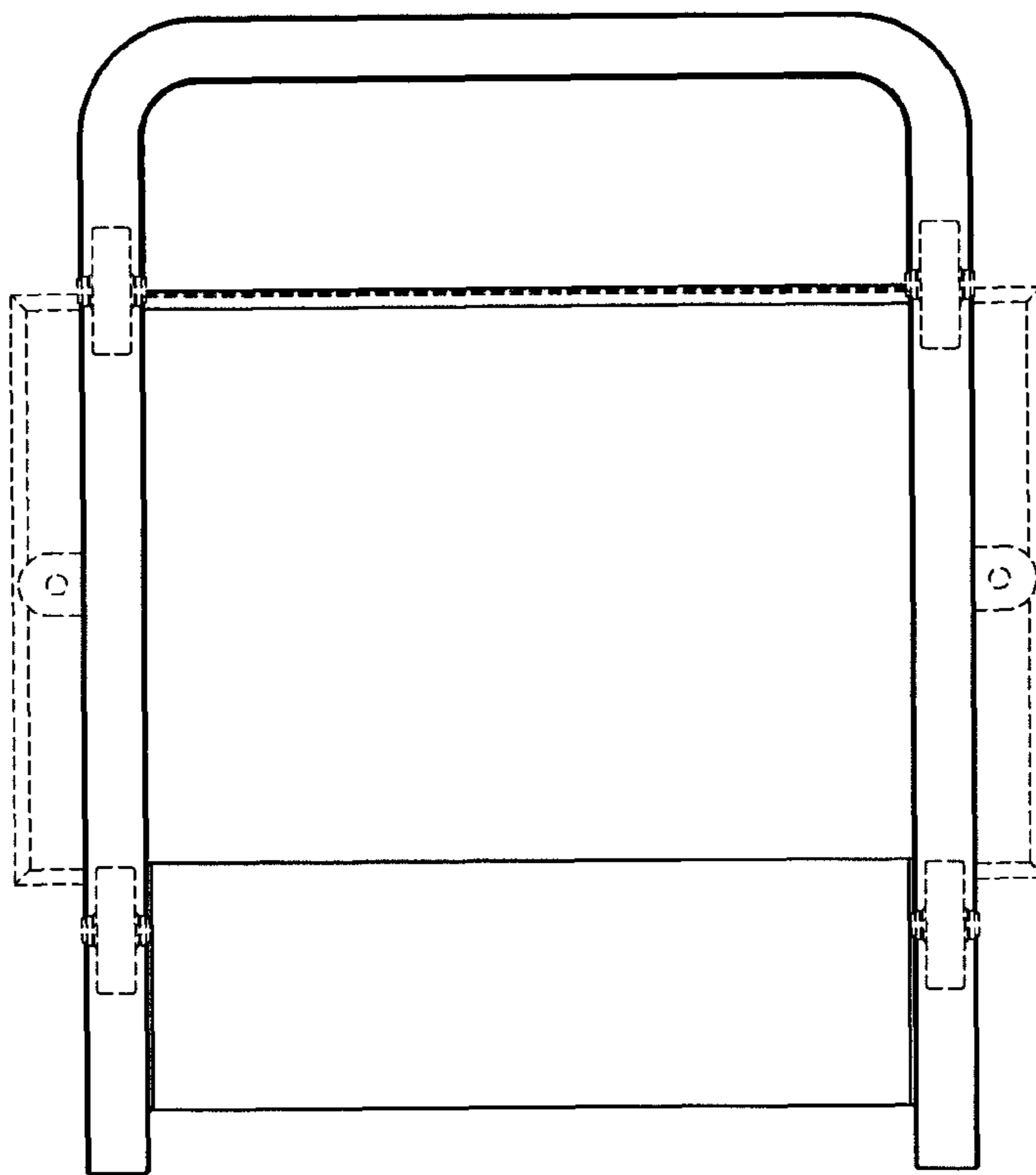


FIG. 7