



US00D625518S

(12) **United States Design Patent**
Edwards

(10) **Patent No.:** **US D625,518 S**

(45) **Date of Patent:** **** Oct. 19, 2010**

(54) **BAG**
(75) Inventor: **Clare-Marie Edwards**, Leicestershire
(GB)

(73) Assignee: **Equip-Able Ltd** (GB)

(**) Term: **14 Years**

(21) Appl. No.: **29/354,129**

(22) Filed: **Jan. 20, 2010**

(30) **Foreign Application Priority Data**

Aug. 20, 2009 (EM) 001160089

(51) **LOC (9) Cl.** **03-01**

(52) **U.S. Cl.** **D3/289; D3/276**

(58) **Field of Classification Search** D3/276,
D3/289, 287, 273, 283, 268, 279, 271, 900,
D3/902; 190/100, 109, 110, 112-115, 900,
190/903

See application file for complete search history.

(56) **References Cited**

U.S. PATENT DOCUMENTS

4,960,204 A * 10/1990 Young et al. 206/235
D392,459 S 3/1998 Jones
D403,159 S 12/1998 Bellehchili
5,897,209 A * 4/1999 Roegner 383/39

D412,616 S * 8/1999 Livingston D3/276
D441,533 S * 5/2001 Tawil D3/283
D464,197 S * 10/2002 Kegels D3/289
D485,065 S * 1/2004 Pelleg D3/289
7,102,516 B2 * 9/2006 Orman 340/570
D529,717 S * 10/2006 Brancky D3/285
D615,754 S 5/2010 Edwards

* cited by examiner

Primary Examiner—Prabhakar Deshmukh

(74) *Attorney, Agent, or Firm*—Clark Hill PLC

(57) **CLAIM**

The ornamental design for a bag, as shown and described.

DESCRIPTION

FIG. 1 is a perspective view of a bag showing my new design;

FIG. 2 is a perspective top view of the bag;

FIG. 3 is a bottom plan view of the bag;

FIG. 4 is a top plan view of the bag;

FIG. 5 is a left side elevational view of the bag;

FIG. 6 is a front elevational view of the bag;

FIG. 7 is a right side elevational view of the bag; and,

FIG. 8 is a rear elevational view of the bag.

The broken lines environmental shown in the drawings is for illustrative purpose and forms no part of the claimed design.

1 Claim, 8 Drawing Sheets

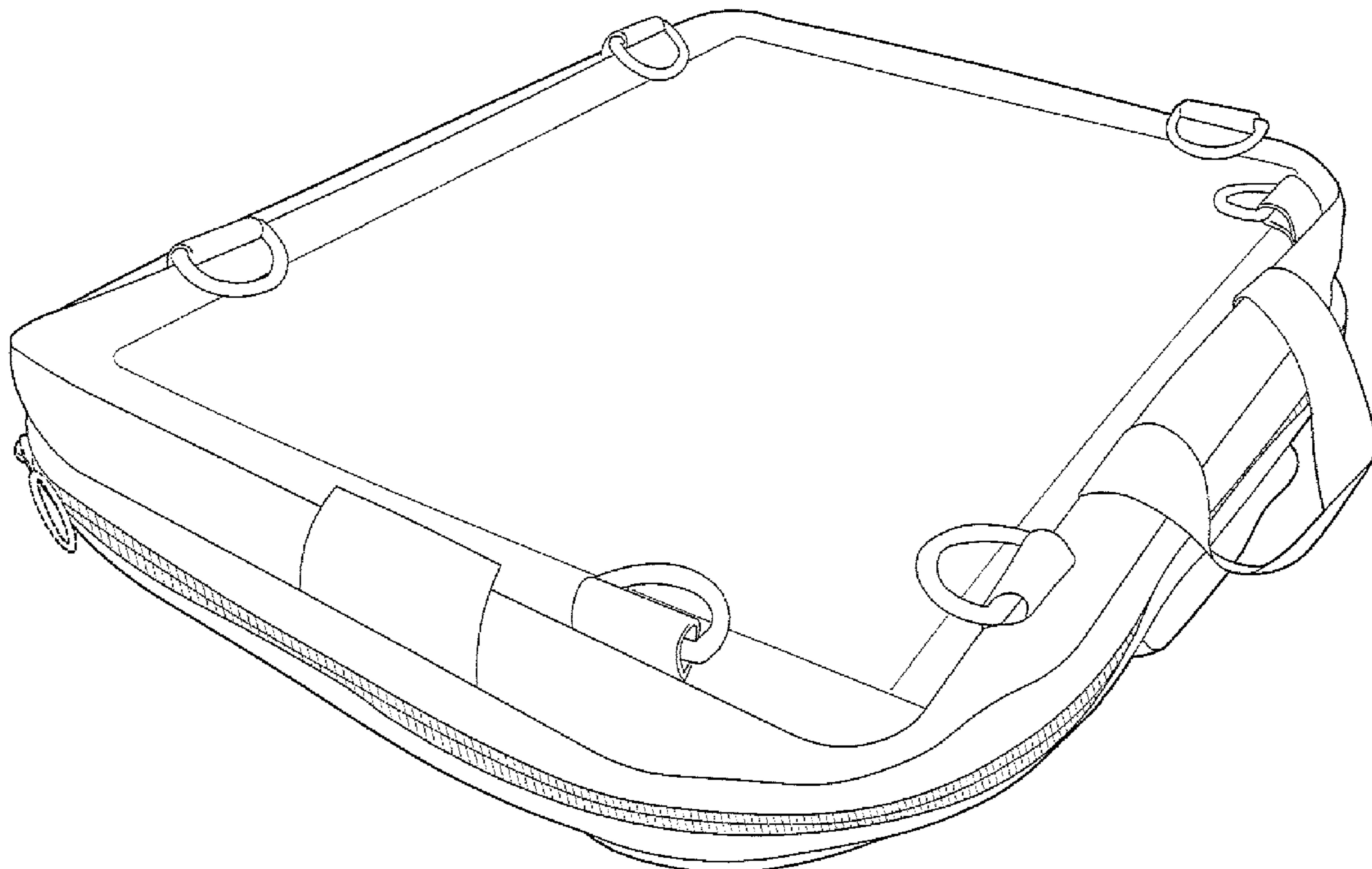




FIG. 1

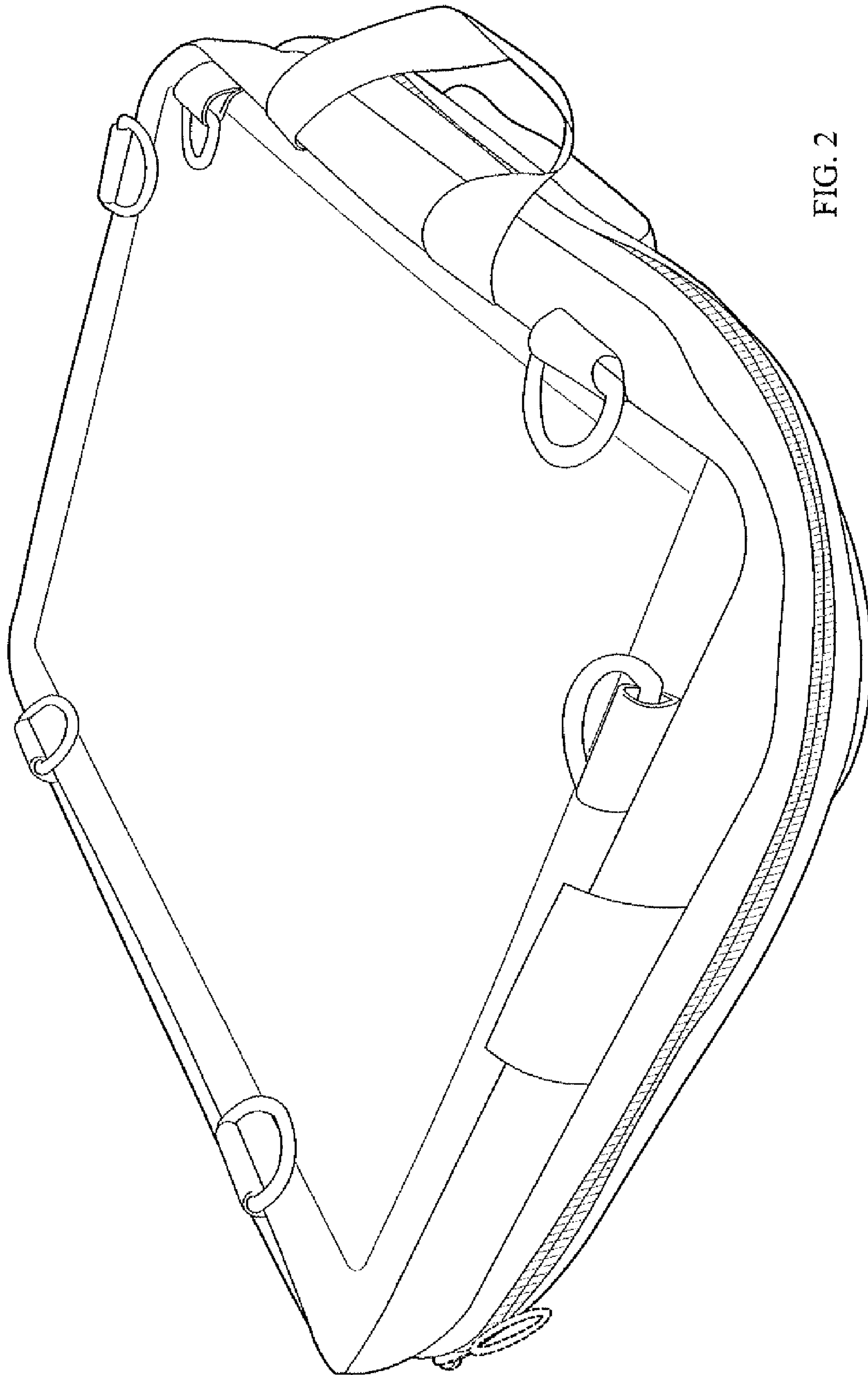


FIG. 2

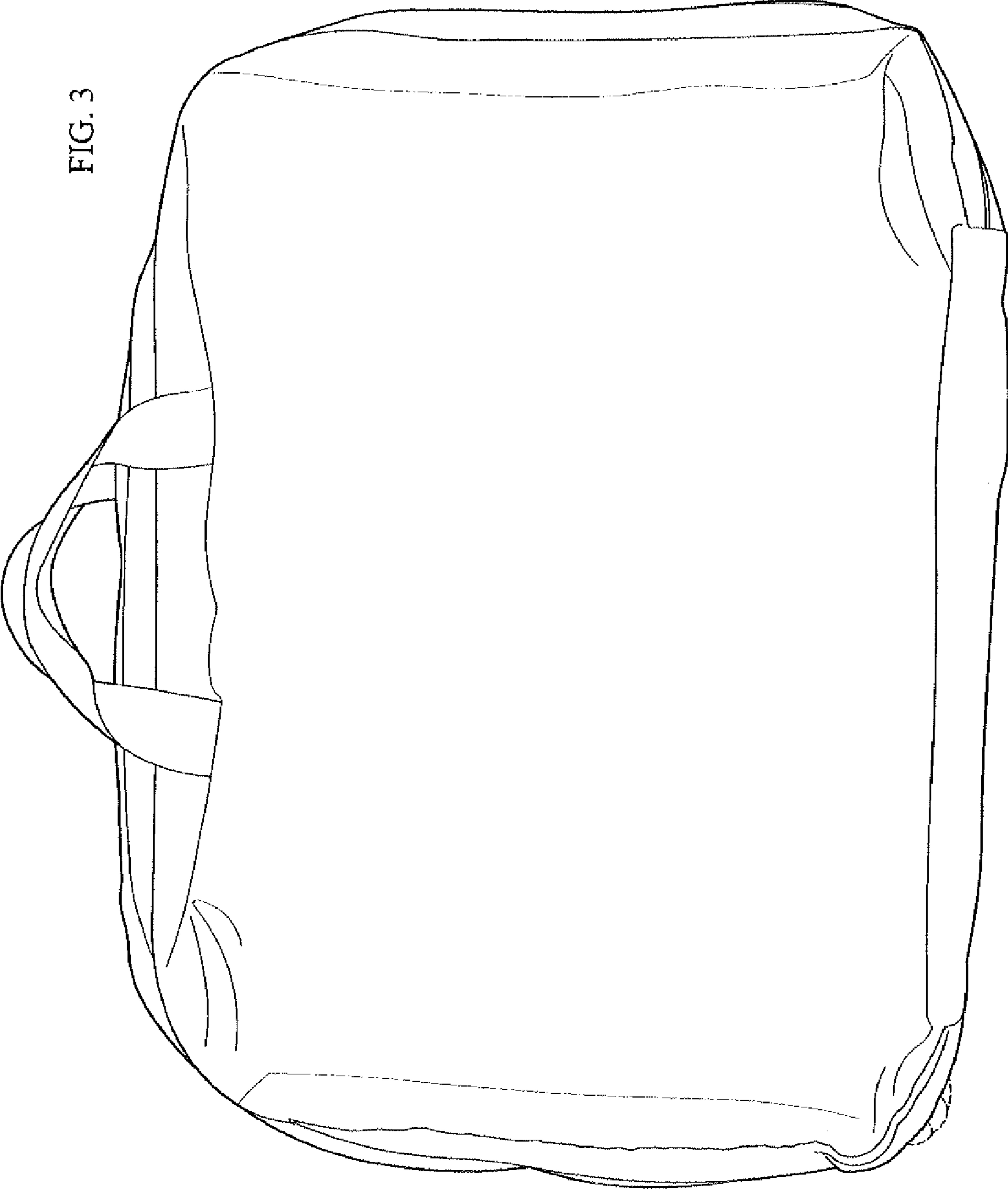


FIG. 3

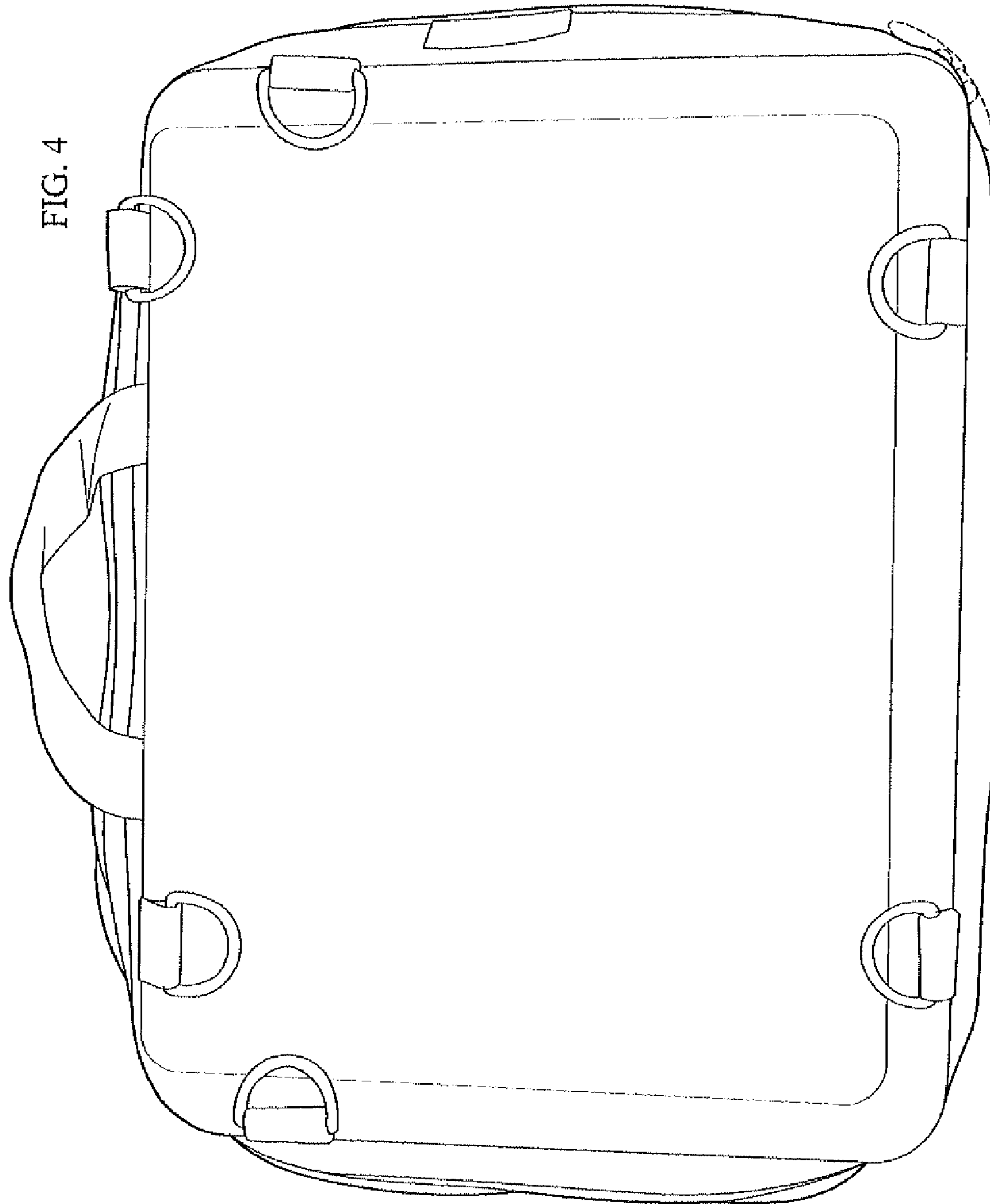


FIG. 4

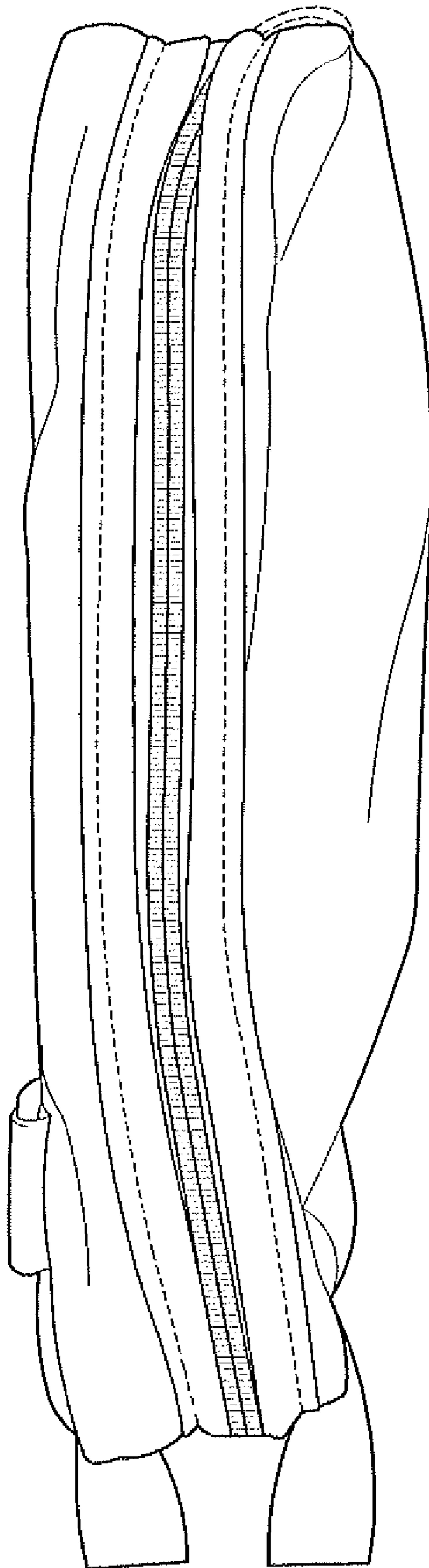


FIG. 5

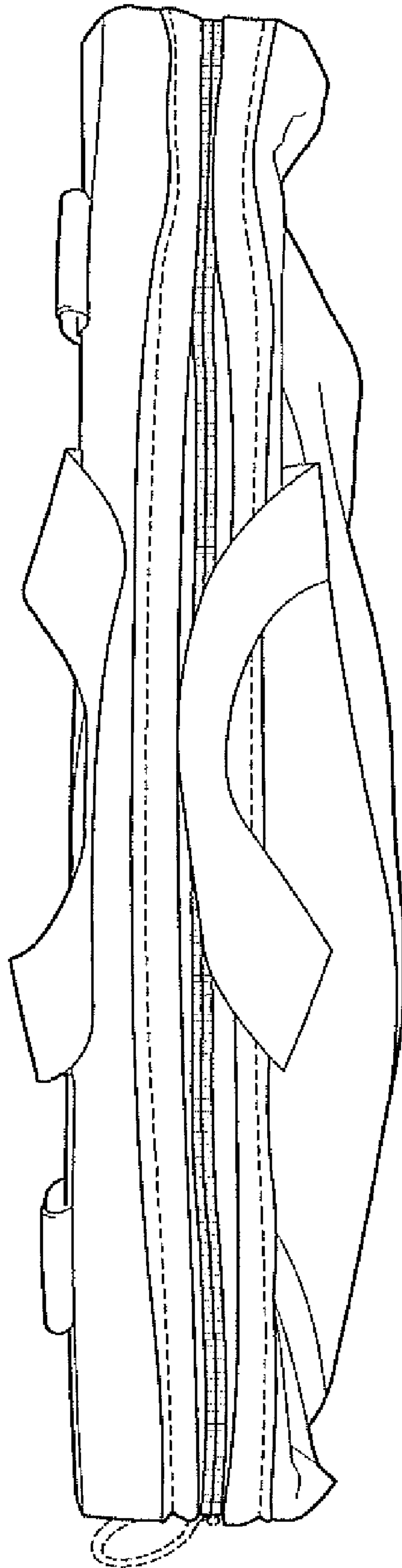


FIG. 6

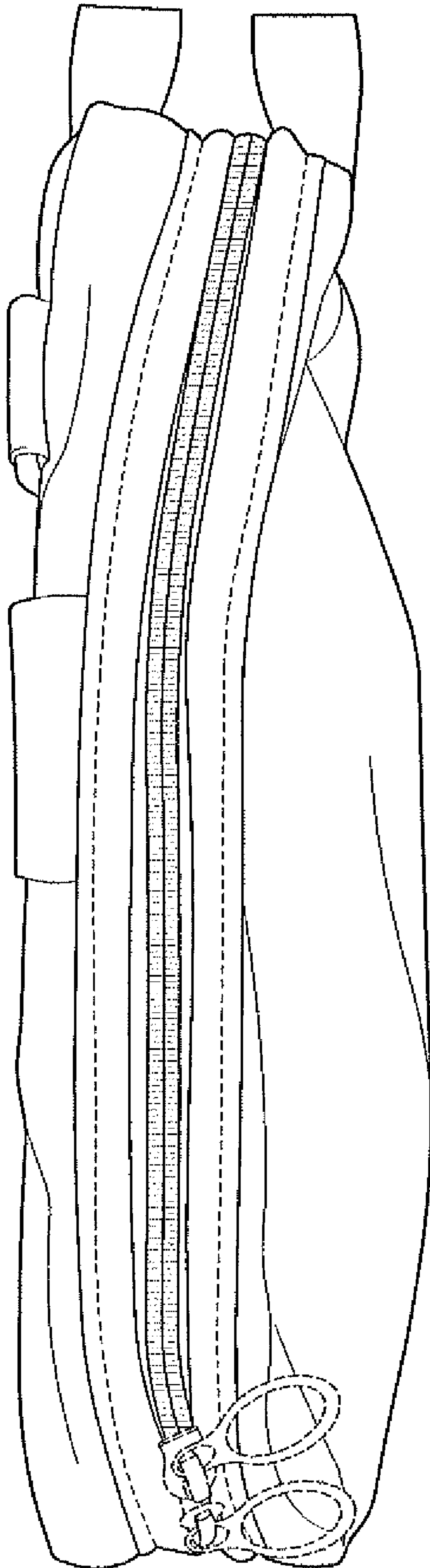


FIG. 7

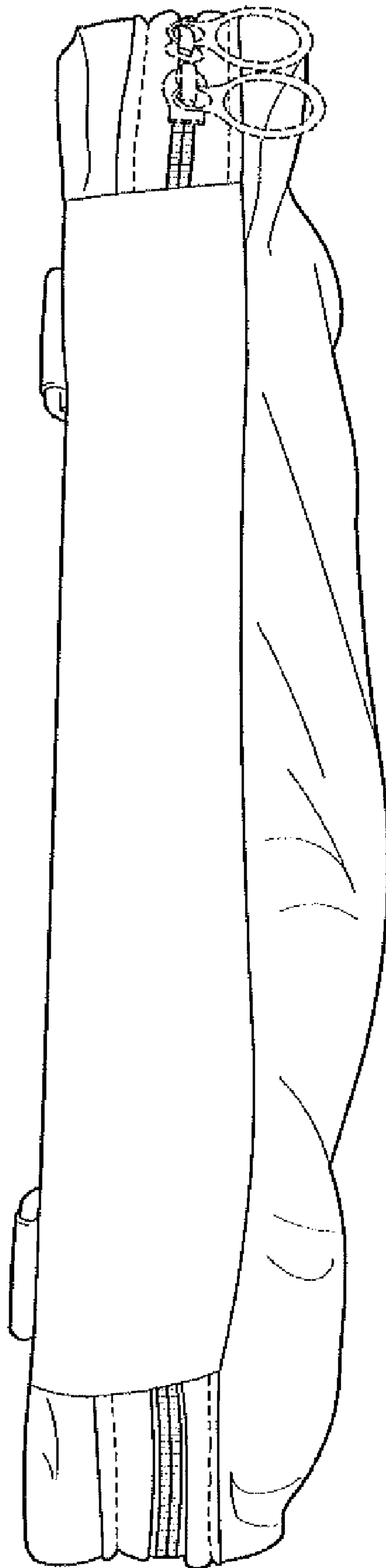


FIG. 8