



US00D625515S

(12) **United States Design Patent**
Parsley et al.

(10) **Patent No.:** **US D625,515 S**

(45) **Date of Patent:** **** *Oct. 19, 2010**

(54) **BAG DESIGN WITH SOLID COLOR**

(75) Inventors: **Craig Alan Parsley**, Greenwood, AR (US); **Christopher James Niklas**, Naperville, IL (US); **Peter A. Grable**, Glenview, IL (US)

(73) Assignee: **Klein Tools, Inc.**, Lincolnshire, IL (US)

(*) Notice: This patent is subject to a terminal disclaimer.

(**) Term: **14 Years**

(21) Appl. No.: **29/343,786**

(22) Filed: **Sep. 18, 2009**

(51) **LOC (9) Cl.** **03-01**

(52) **U.S. Cl.** **D3/232**

(58) **Field of Classification Search** D3/232-233, D3/240-246, 318, 324; 150/100, 103-110, 150/113-114, 118-119

See application file for complete search history.

(56) **References Cited**

U.S. PATENT DOCUMENTS

| | | | | |
|--------------|--------|--------------|-------|--------|
| D249,593 S * | 9/1978 | Glaser | | D3/245 |
| D502,804 S * | 3/2005 | Delafontaine | | D3/243 |
| D596,847 S * | 7/2009 | Nelson | | D3/232 |

* cited by examiner

Primary Examiner—Holly H Baynham

(74) *Attorney, Agent, or Firm*—McDonnell Boehnen Hulbert & Berghoff LLP

(57) **CLAIM**

The ornamental design for a bag with solid color, as shown and described.

DESCRIPTION

FIG. 1 is the perspective view of a bag showing the new design;

FIG. 2 is a left side elevational view thereof;

FIG. 3 is a front elevational view thereof;

FIG. 4 is a right side elevational view thereof;

FIG. 5 is a rear elevational view thereof;

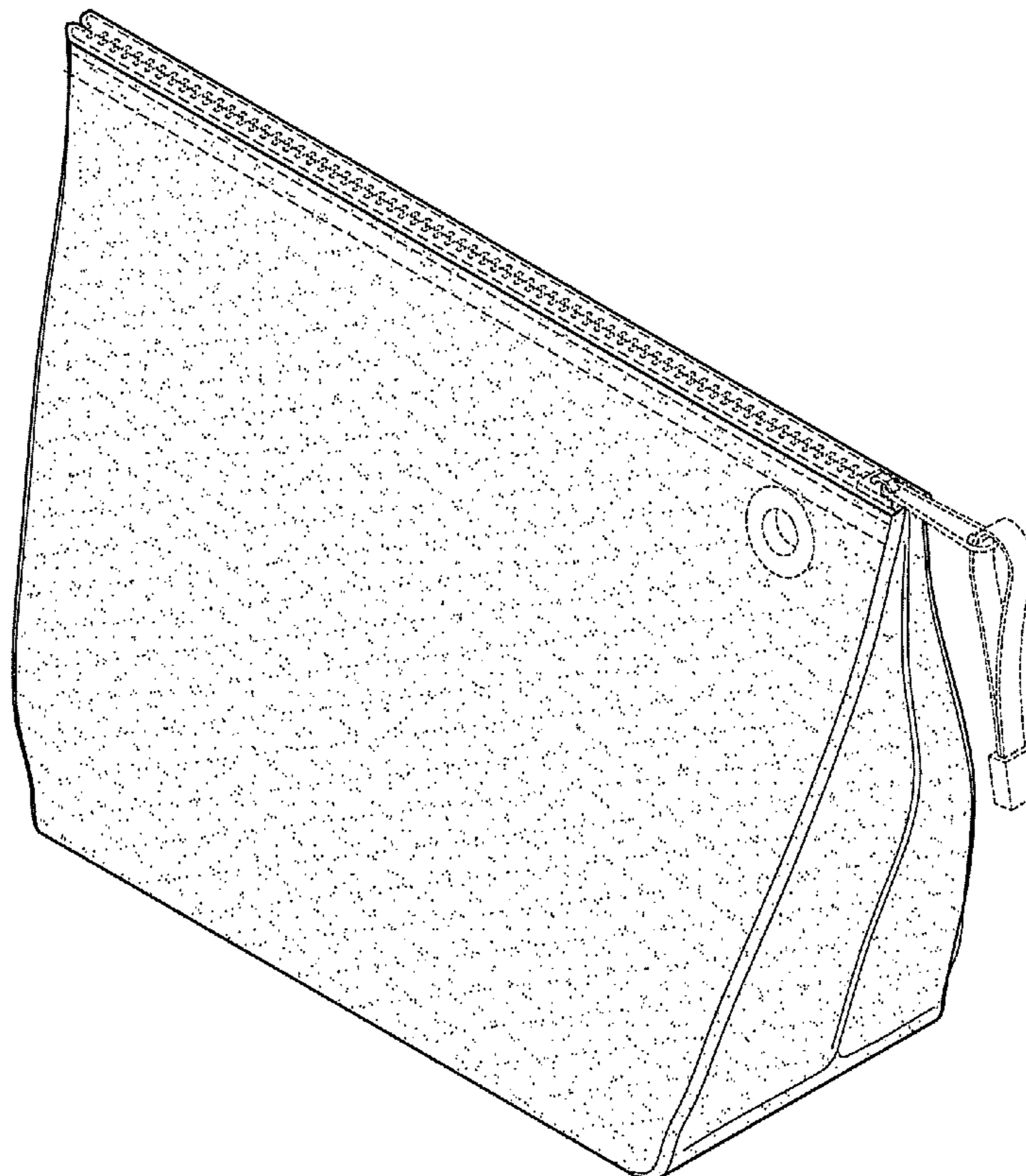
FIG. 6 is a bottom plan view thereof; and,

FIG. 7 is a top plan view thereof.

The stippled area represents a solid color although no specific color is claimed.

The broken line showing of the grommet, zipper pull and zipper, indicated by a first broken line, and the stitching, indicated by a second and longer broken line are included for the purpose of illustrating environment and form no part of the claimed design.

1 Claim, 4 Drawing Sheets



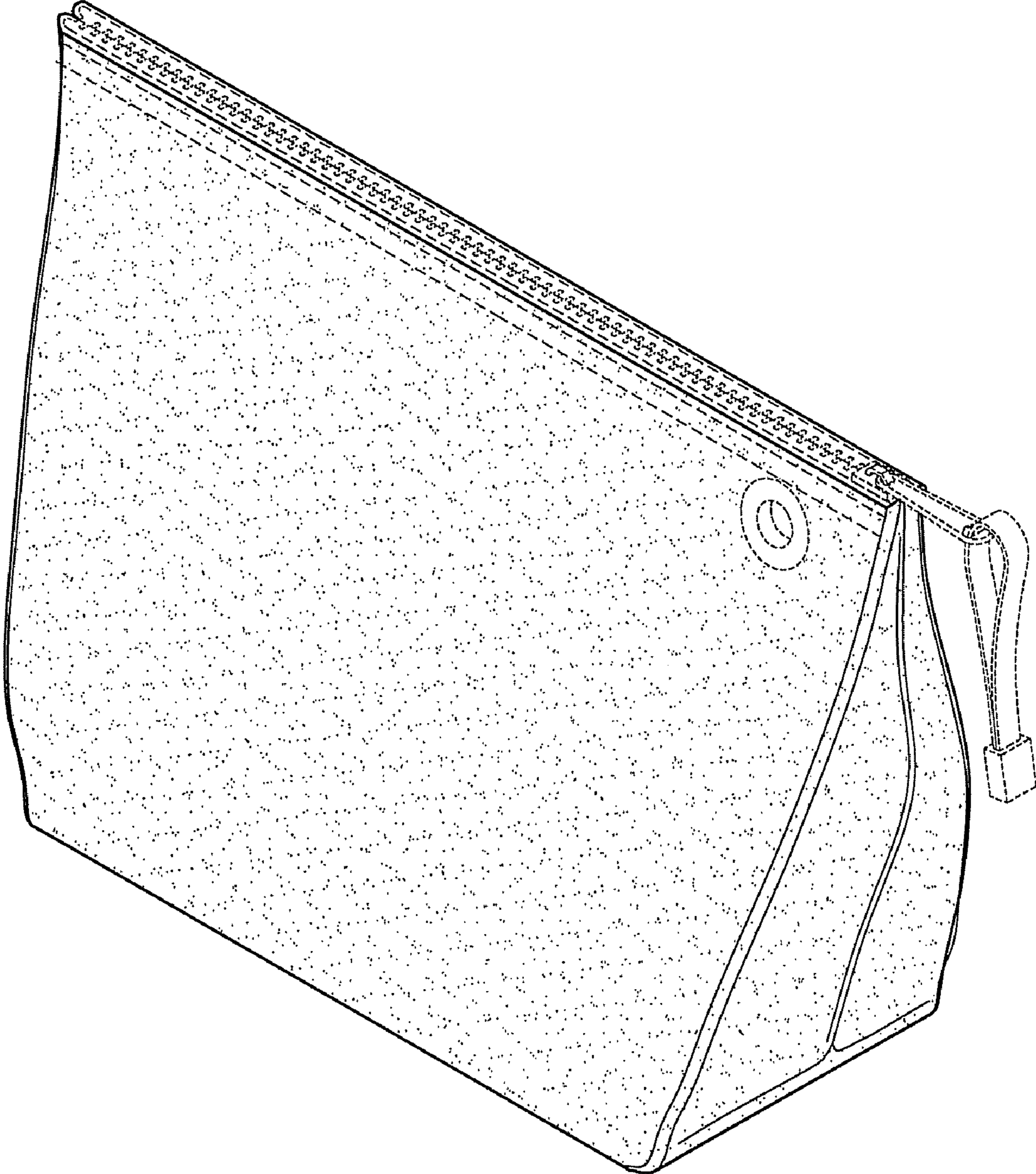


FIG. 1

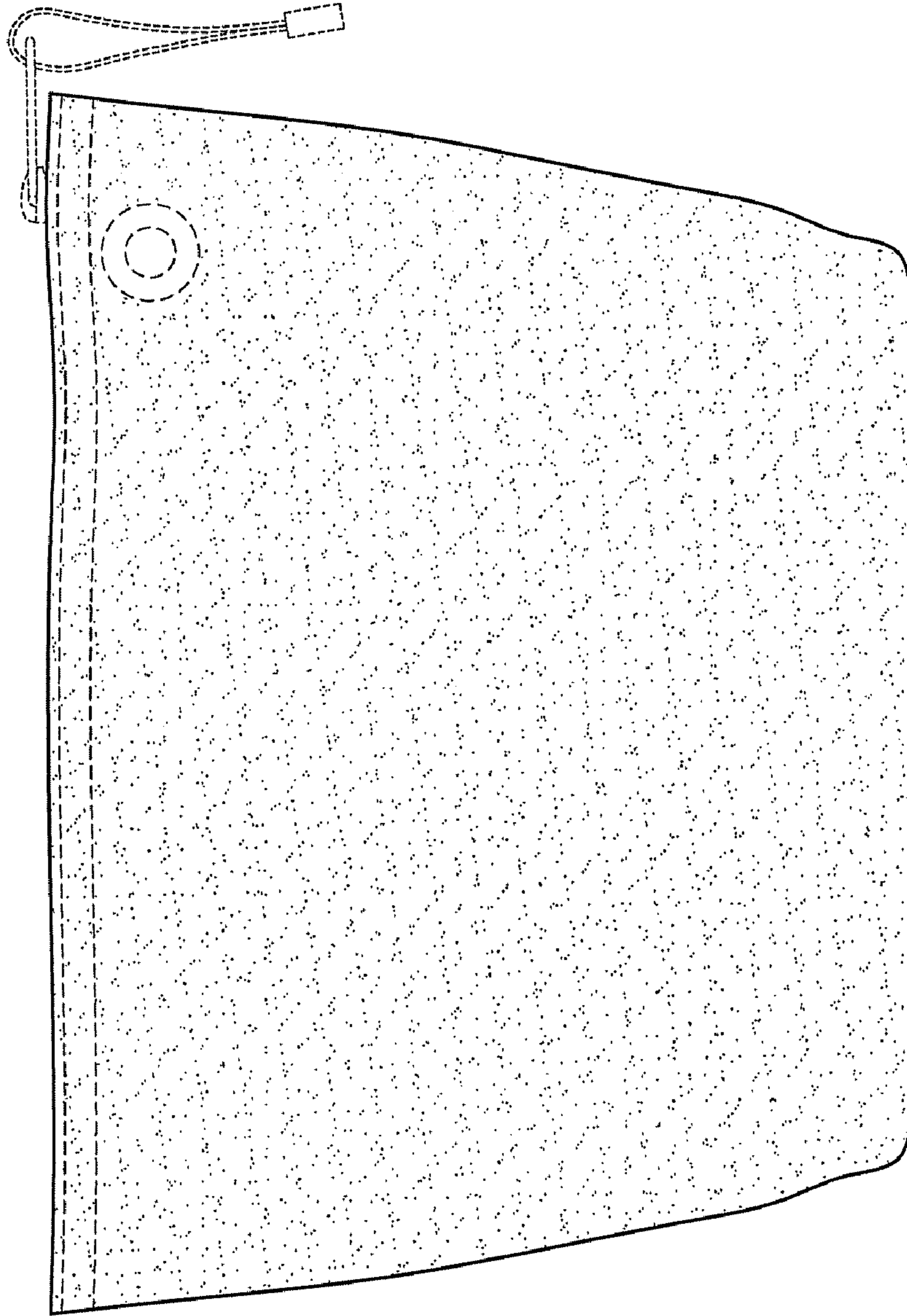


FIG. 2

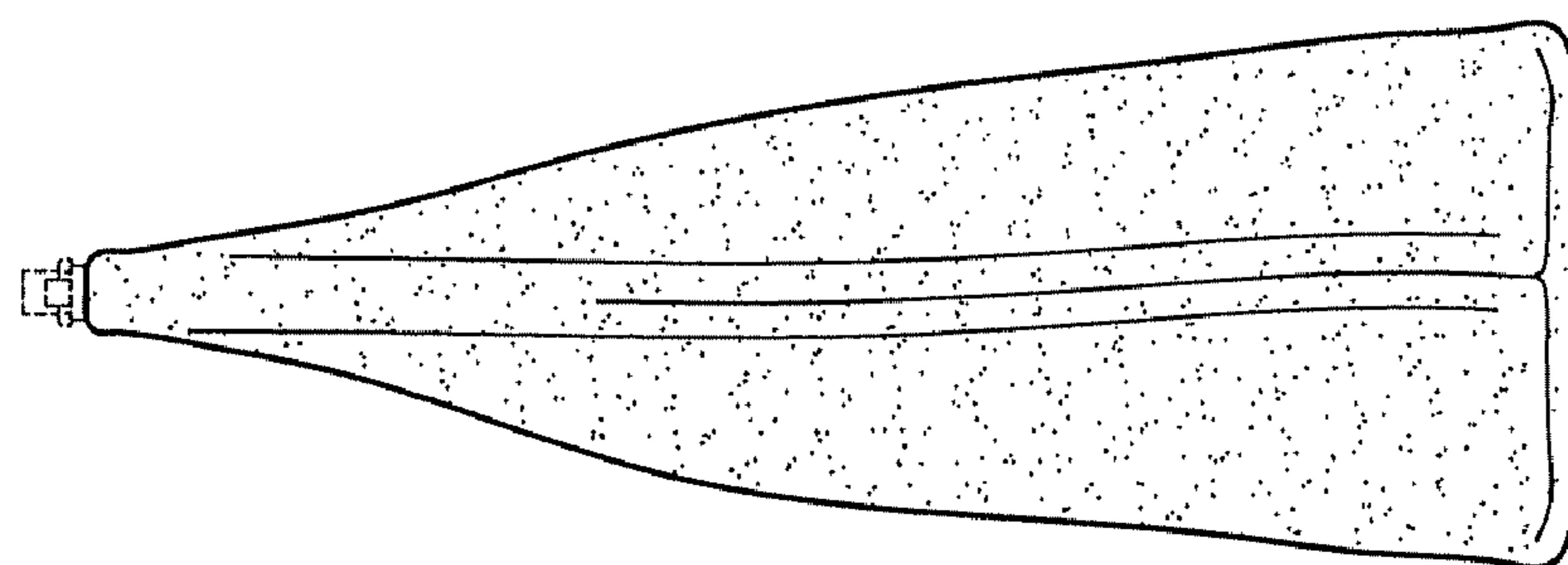


FIG. 3

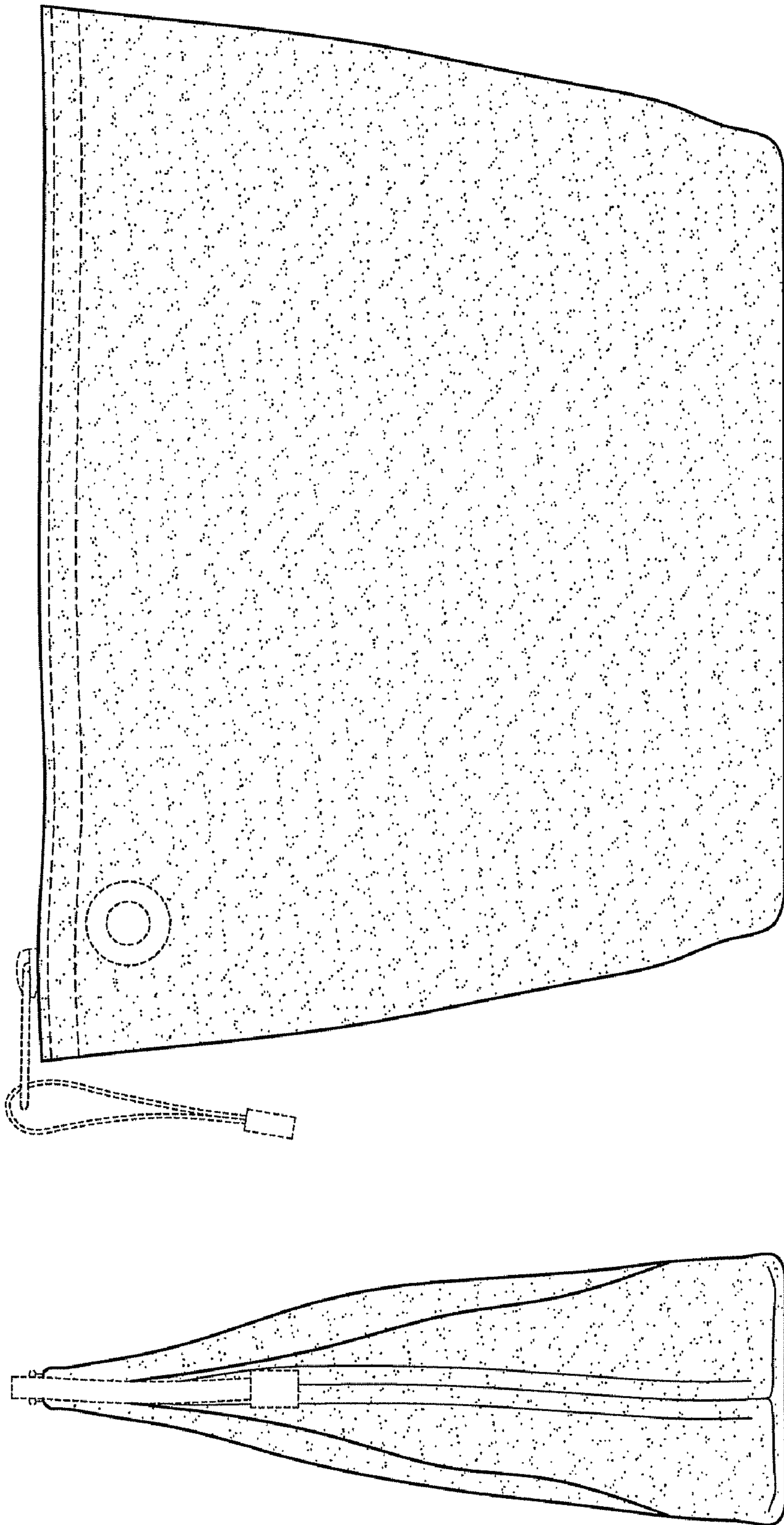


FIG. 5

FIG. 4

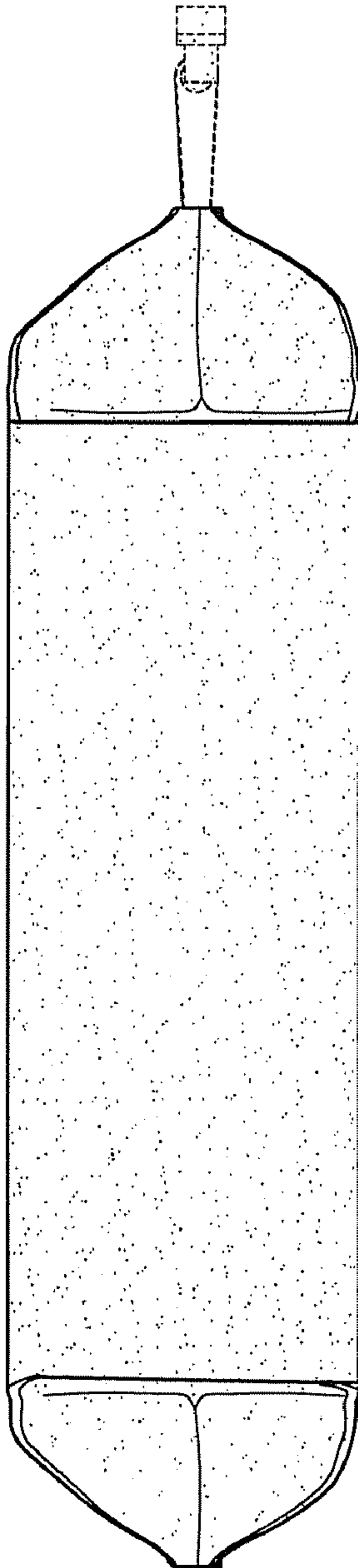


FIG. 6

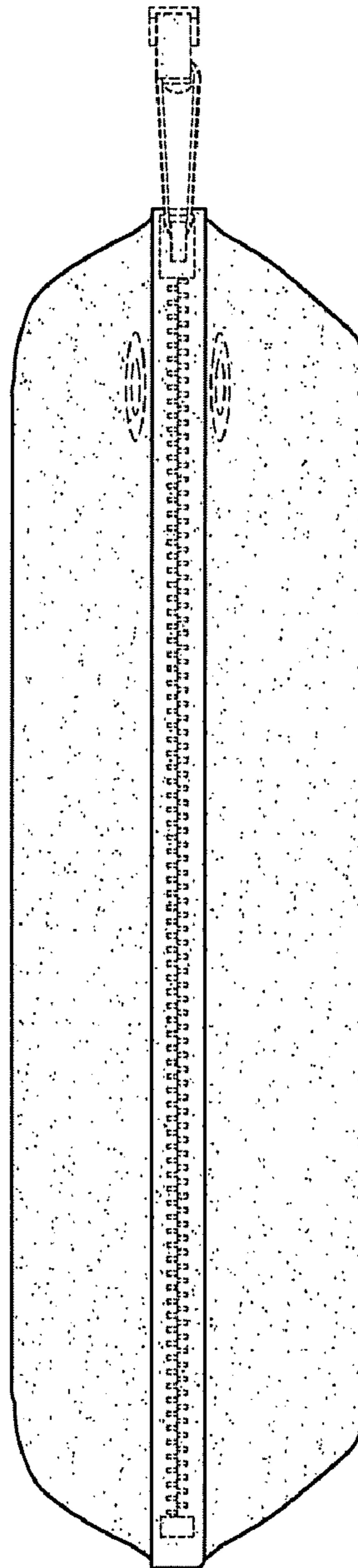


FIG. 7