



US00D625509S

(12) **United States Design Patent**
Quinn

(10) **Patent No.:** **US D625,509 S**
(45) **Date of Patent:** **** Oct. 19, 2010**

(54) **UMBRELLA POLE**

(75) Inventor: **Thomas A. Quinn**, Carlsbad, CA (US)

(73) Assignee: **Pro Performance Sports, L.L.C.**, San Diego, CA (US)

(**) Term: **14 Years**

(21) Appl. No.: **29/358,835**

(22) Filed: **Apr. 1, 2010**

Related U.S. Application Data

(63) Continuation of application No. 29/355,727, filed on Feb. 12, 2010, and a continuation of application No. 12/704,696, filed on Feb. 12, 2010.

(51) **LOC (9) Cl.** **03-03**

(52) **U.S. Cl.** **D3/10**

(58) **Field of Classification Search** D3/5,
D3/10, 12, 13, 16, 17, 6, 14; 135/15.1, 23,
135/20.1, 20.3, 25.31, 33.7, 39, 40, 25.01,
135/21, 16, 44, 98, 99; 248/145.6, 146; D8/395
See application file for complete search history.

(56) **References Cited**

U.S. PATENT DOCUMENTS

D345,856 S * 4/1994 Johnson D3/10
5,505,221 A * 4/1996 Gao 135/20.1

D609,453 S * 2/2010 Liu D3/5
2005/0028852 A1 * 2/2005 Reese 135/20.1
2006/0081277 A1 * 4/2006 Liu 135/20.1

* cited by examiner

Primary Examiner—Doris Clark

(74) *Attorney, Agent, or Firm*—Kenneth H. Ohriner; Perkins Coie LLP

(57) **CLAIM**

I claim the ornamental design for an umbrella pole, as shown and described.

DESCRIPTION

FIG. 1 is a perspective view showing my new design.

FIG. 2 is a left side view.

FIG. 3 is a right side view.

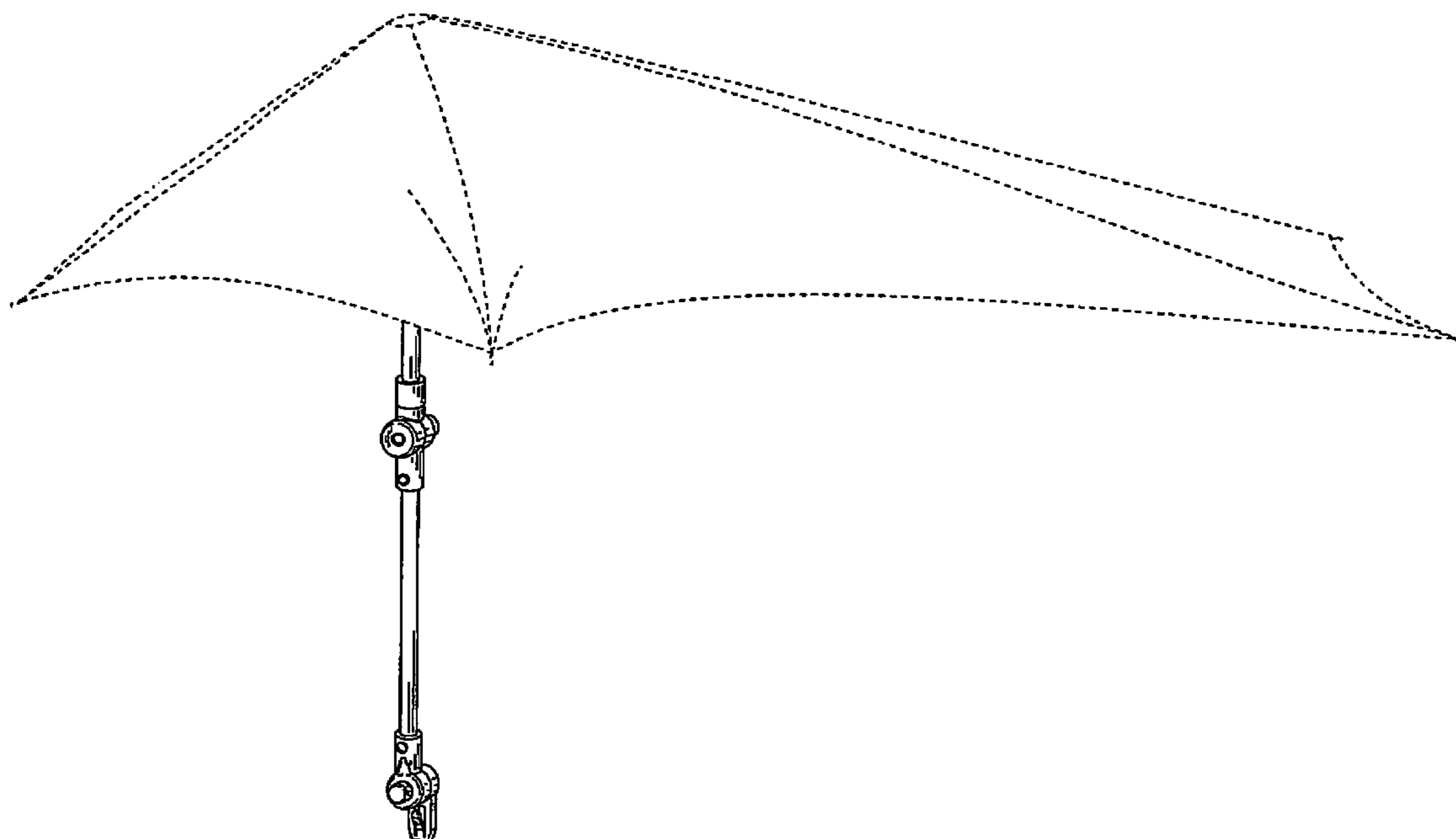
FIG. 4 is a front view.

FIG. 5 is a rear view.

FIG. 6 is a top view; and,

FIG. 7 is a bottom view.

1 Claim, 2 Drawing Sheets



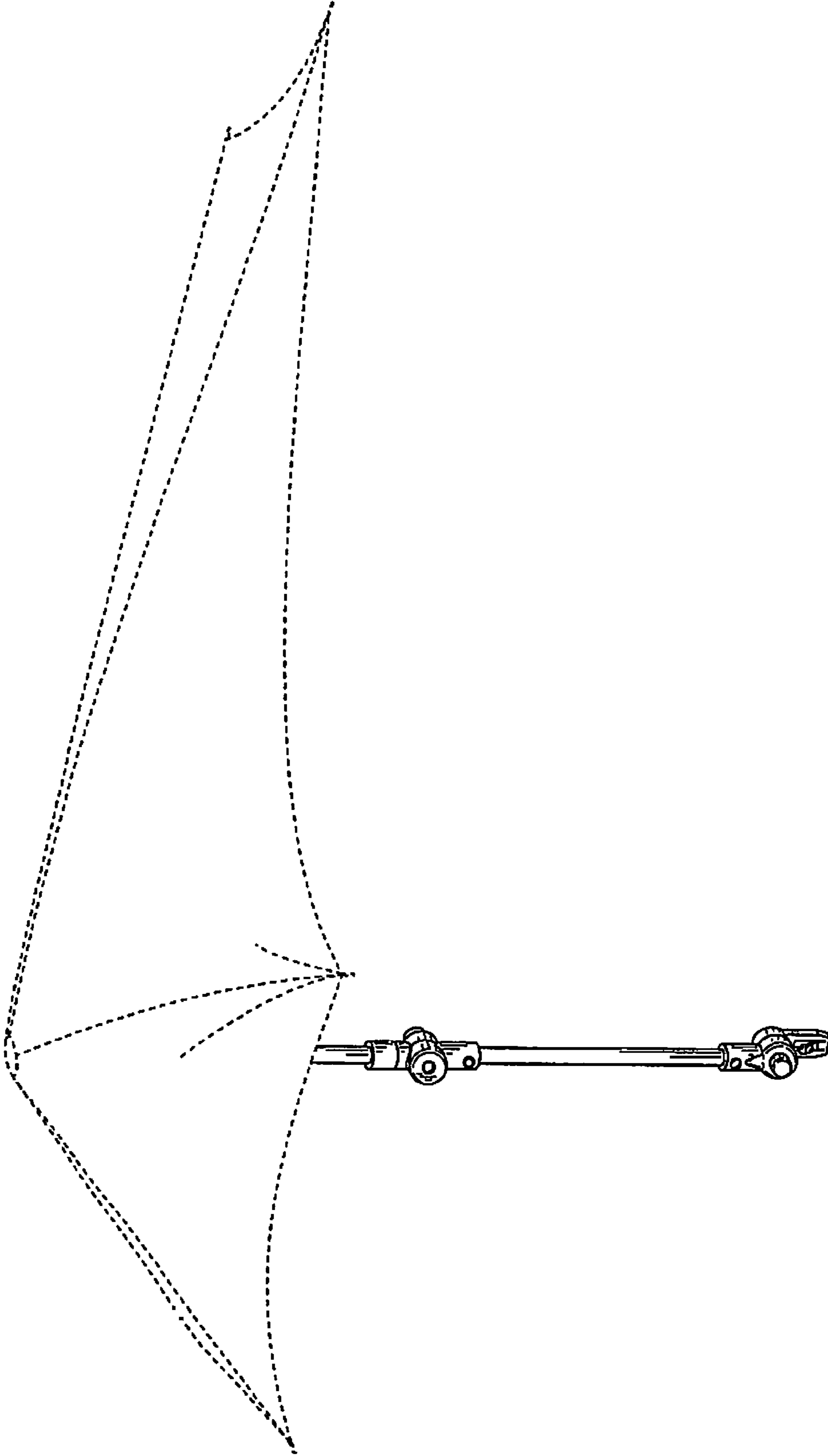


FIG. 1



FIG. 2



FIG. 3

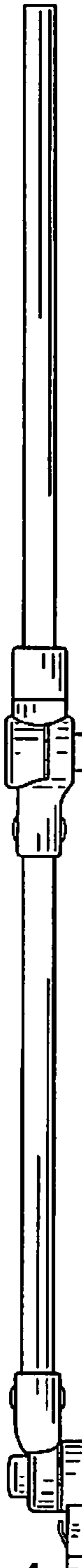


FIG. 4



FIG. 5



FIG. 6



FIG. 7