



US00D625508S

(12) **United States Design Patent**
Thurrott et al.

(10) **Patent No.:** **US D625,508 S**
(45) **Date of Patent:** **** Oct. 19, 2010**

(54) **BEACH UMBRELLA ANCHOR**

(76) Inventors: **Elizabeth R. Thurrott**, 87 Woods Rd.,
Branchville, NJ (US) 07826; **Joseph J.**
Sapudar, 87 Woods Rd., Branchville, NJ
(US) 07826

(**) Term: **14 Years**

(21) Appl. No.: **29/356,871**

(22) Filed: **Mar. 3, 2010**

(51) **LOC (9) Cl.** **03-03**

(52) **U.S. Cl.** **D3/10**

(58) **Field of Classification Search** D3/5,
D3/10, 12, 13, 16, 17, 6, 14; 135/15.1, 23,
135/20.1, 20.3, 25.31, 33.7, 39, 40, 25.01,
135/21, 16, 44, 98, 99; 248/145.6, 146, 156,
248/530, 508; D8/395

See application file for complete search history.

(56) **References Cited**

U.S. PATENT DOCUMENTS

4,296,693	A	10/1981	Archer	
4,832,304	A *	5/1989	Morgulis	248/533
4,924,893	A	5/1990	Furey	
5,122,014	A	6/1992	Genfan	
5,452,877	A	9/1995	Riffle et al.	
D372,117	S	7/1996	Tory	
5,636,944	A	6/1997	Buttimore	
D402,803	S *	12/1998	Goldberg et al.	D3/12
D421,532	S	3/2000	Koroncai	
6,164,613	A	12/2000	Williams	

6,220,260	B1 *	4/2001	Sachs	135/15.1
6,328,046	B2	12/2001	Doreste	
D456,131	S *	4/2002	Dotson, Jr.	D3/10
D470,305	S *	2/2003	Clarke	D3/10
6,547,203	B1 *	4/2003	Willard	248/530
6,619,306	B2 *	9/2003	Ma	135/21
7,007,703	B2	3/2006	Brooks, III.	
D573,786	S *	7/2008	Smith et al.	D3/10

* cited by examiner

Primary Examiner—Doris Clark

(57) **CLAIM**

The ornamental design for a beach umbrella anchor, as shown and described.

DESCRIPTION

FIG. 1 is a perspective view of a beach umbrella anchor showing our new design;

FIG. 2 is a front view thereof;

FIG. 3 is a back view thereof;

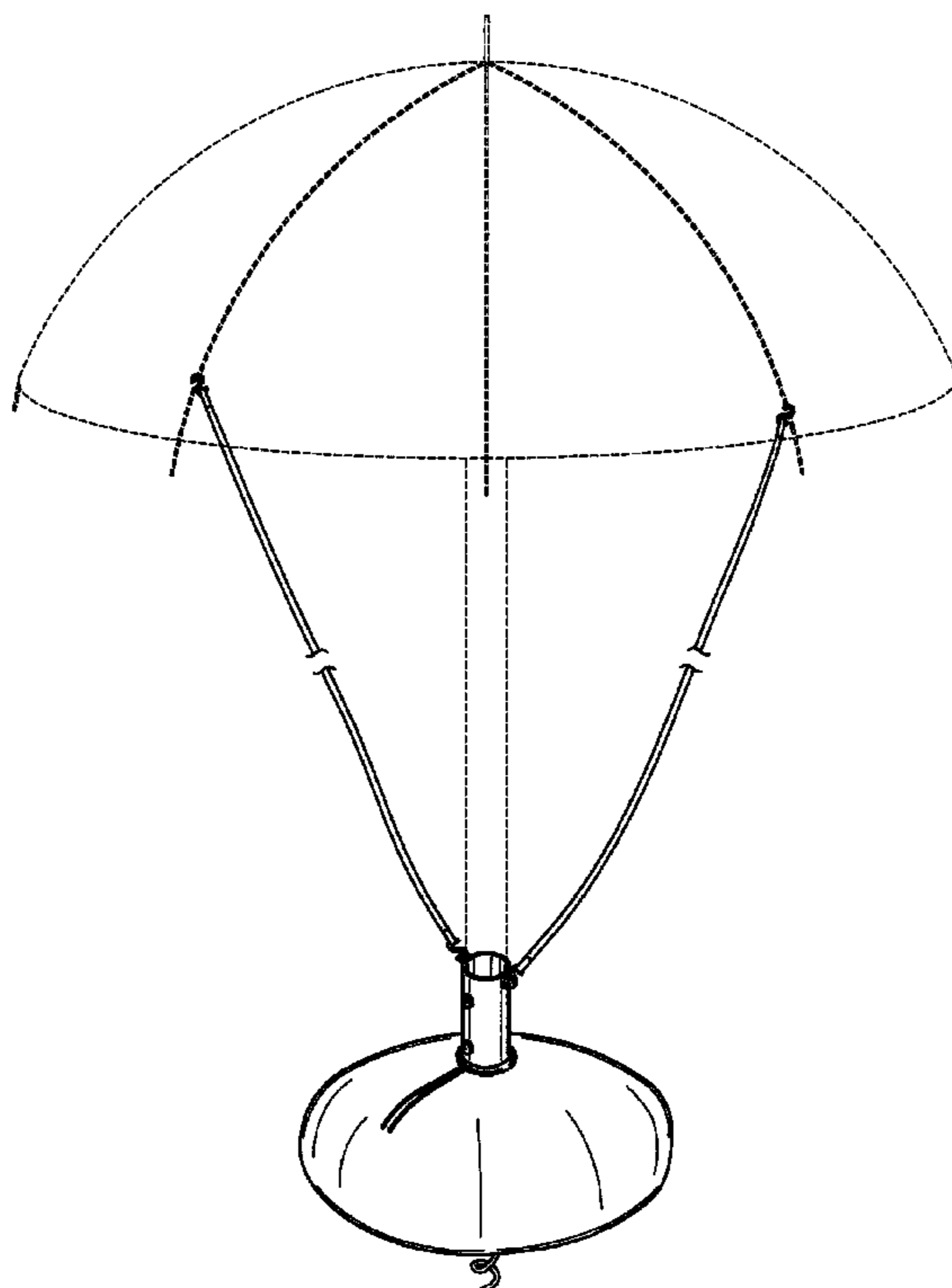
FIG. 4 is a side view (opposite side view is mirror image) thereof;

FIG. 5 is a top view thereof; and,

FIG. 6 is a bottom view thereof.

In FIG. 1, the broken lines showing of environmental structure for purposes of illustrating the beach umbrella anchor in a condition of use. The broken lines and the structure they depict form no part of the claimed design.

1 Claim, 6 Drawing Sheets



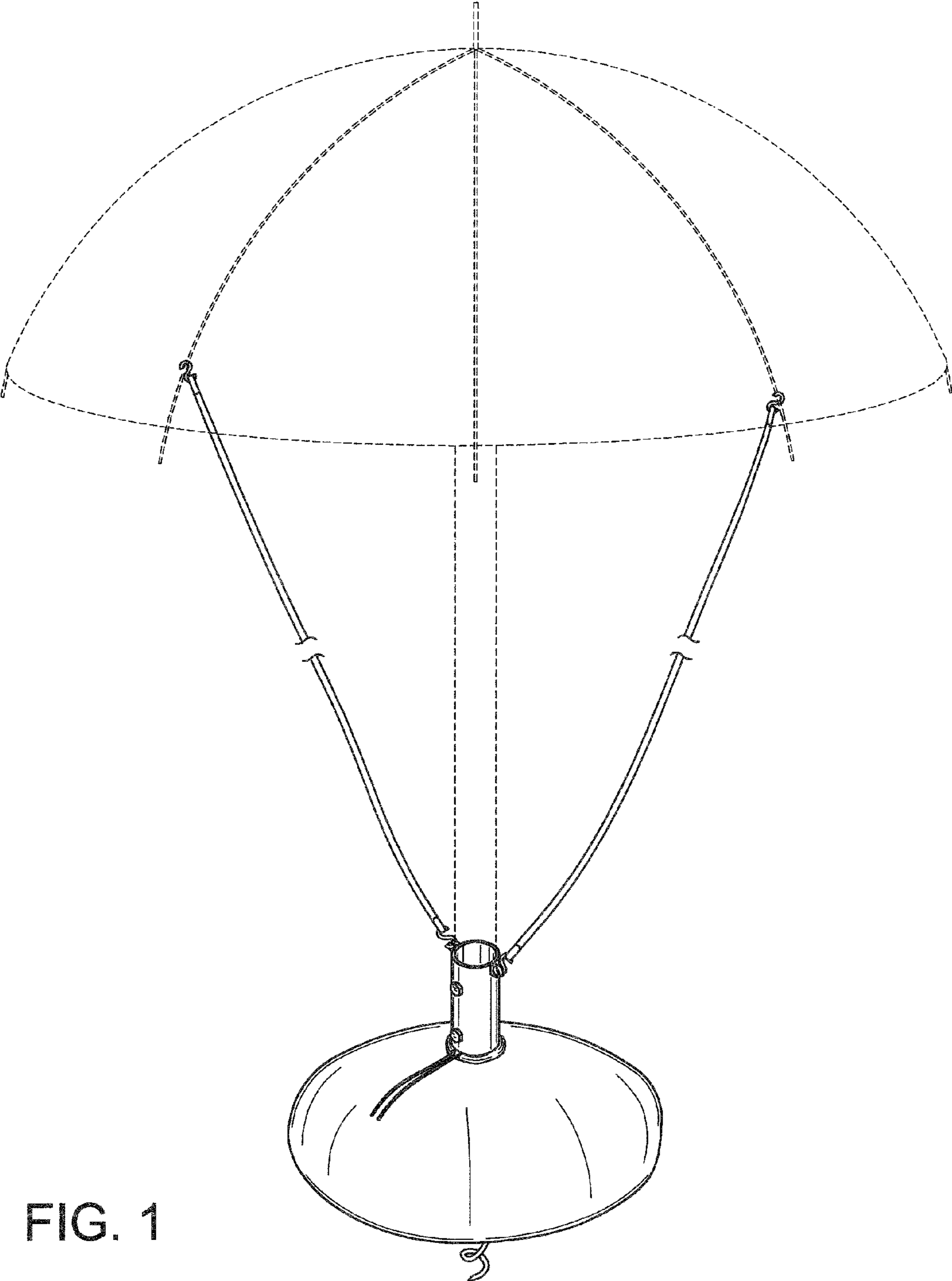


FIG. 1

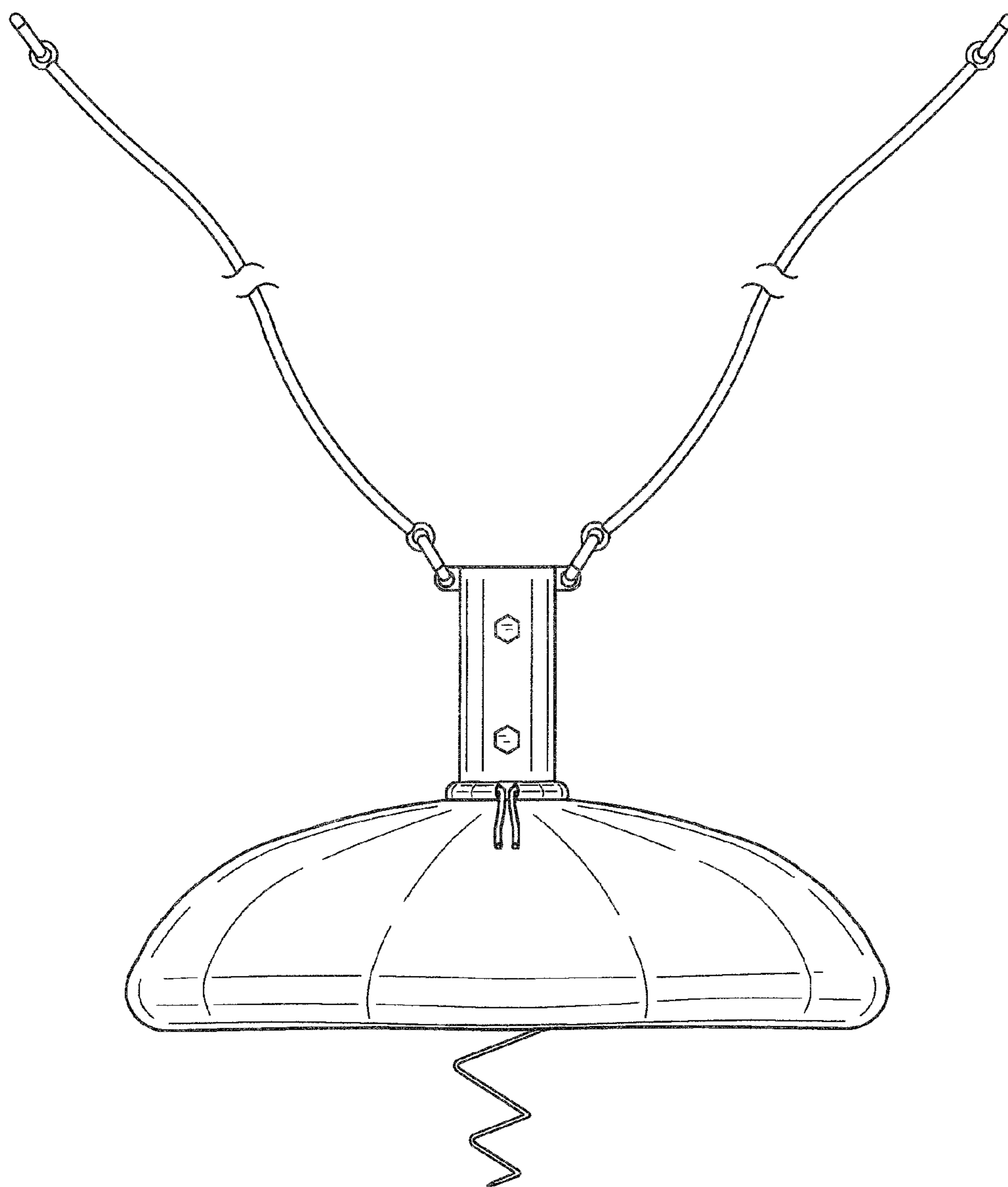


FIG. 2

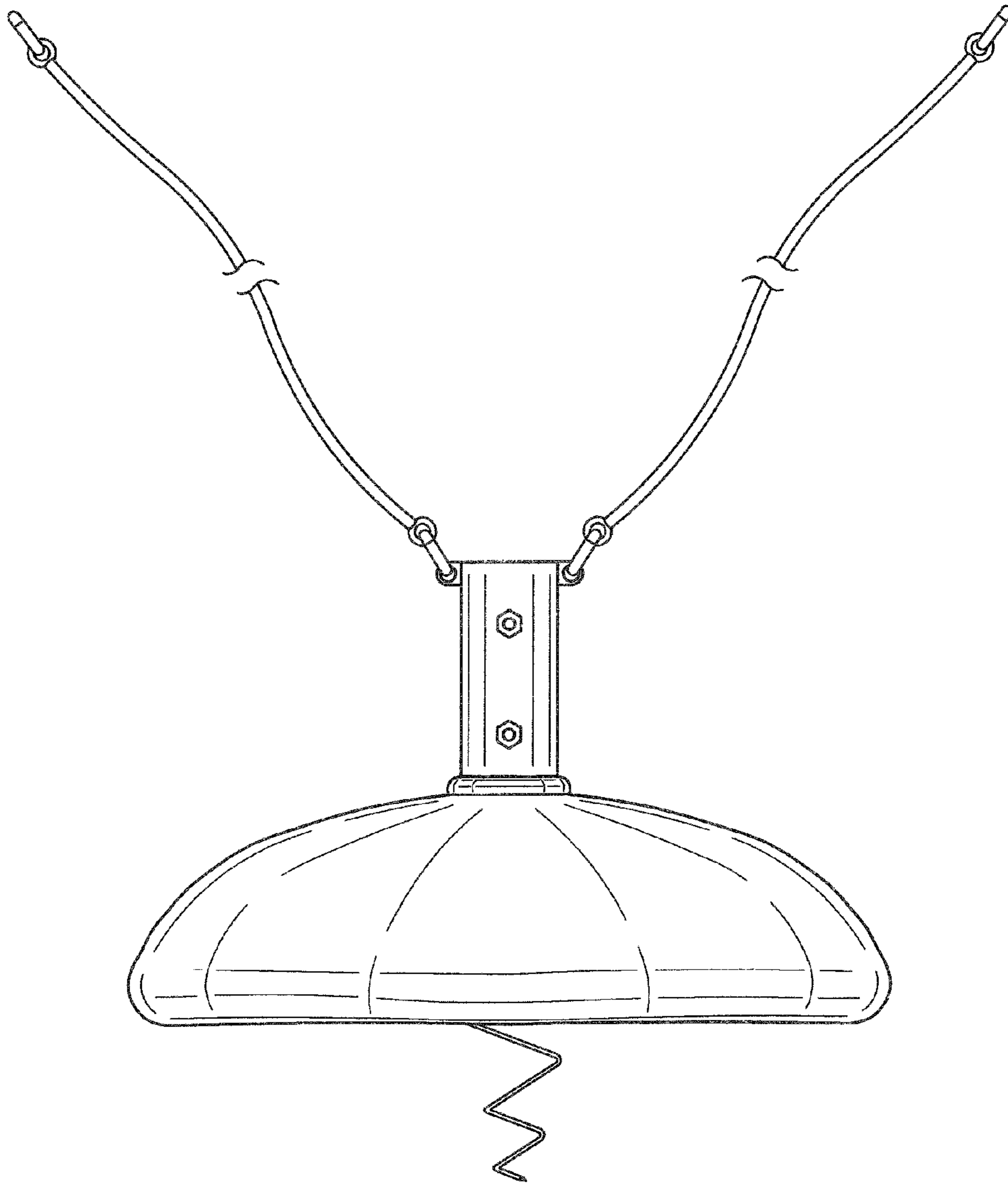


FIG. 3

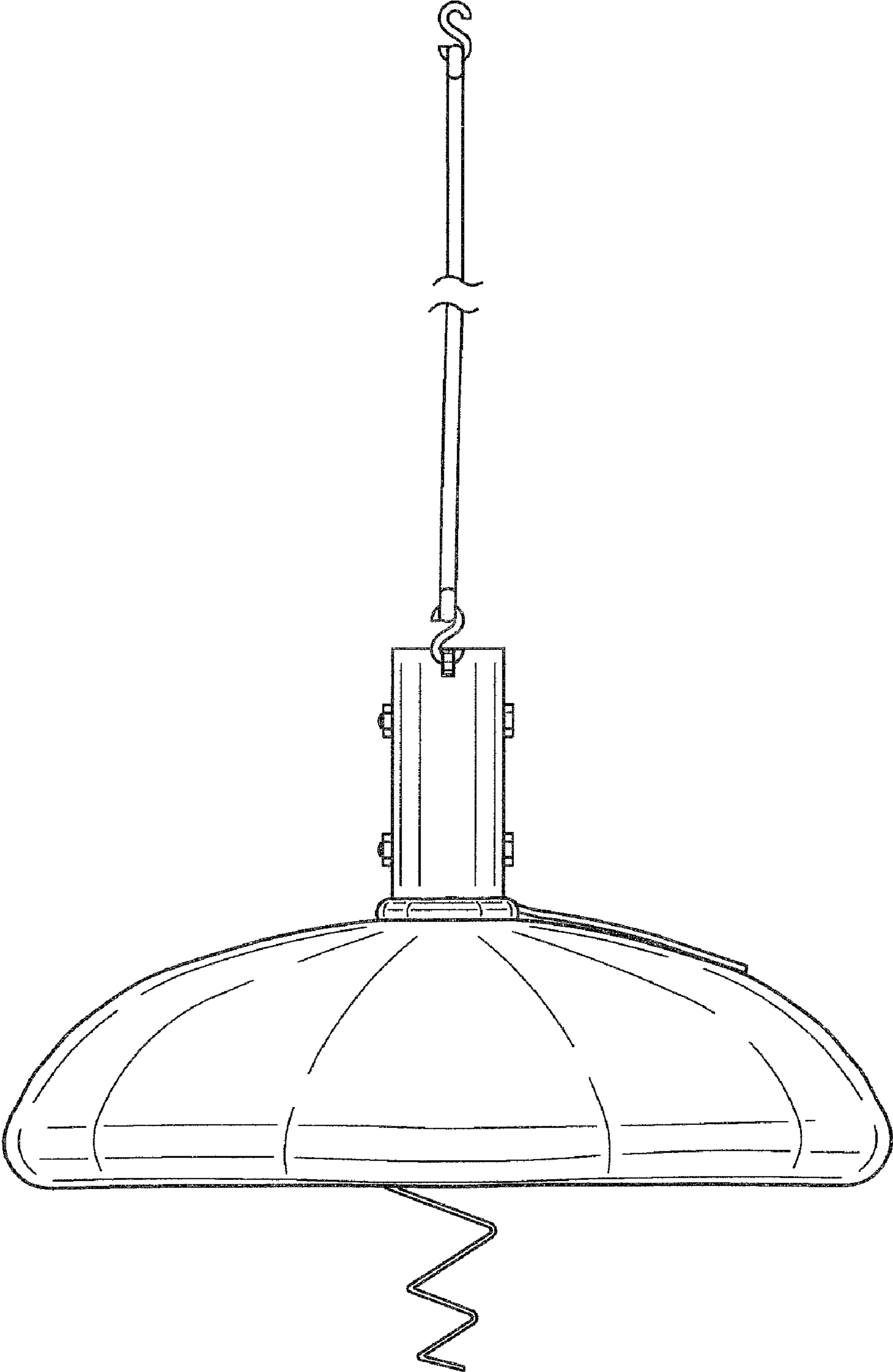


FIG. 4

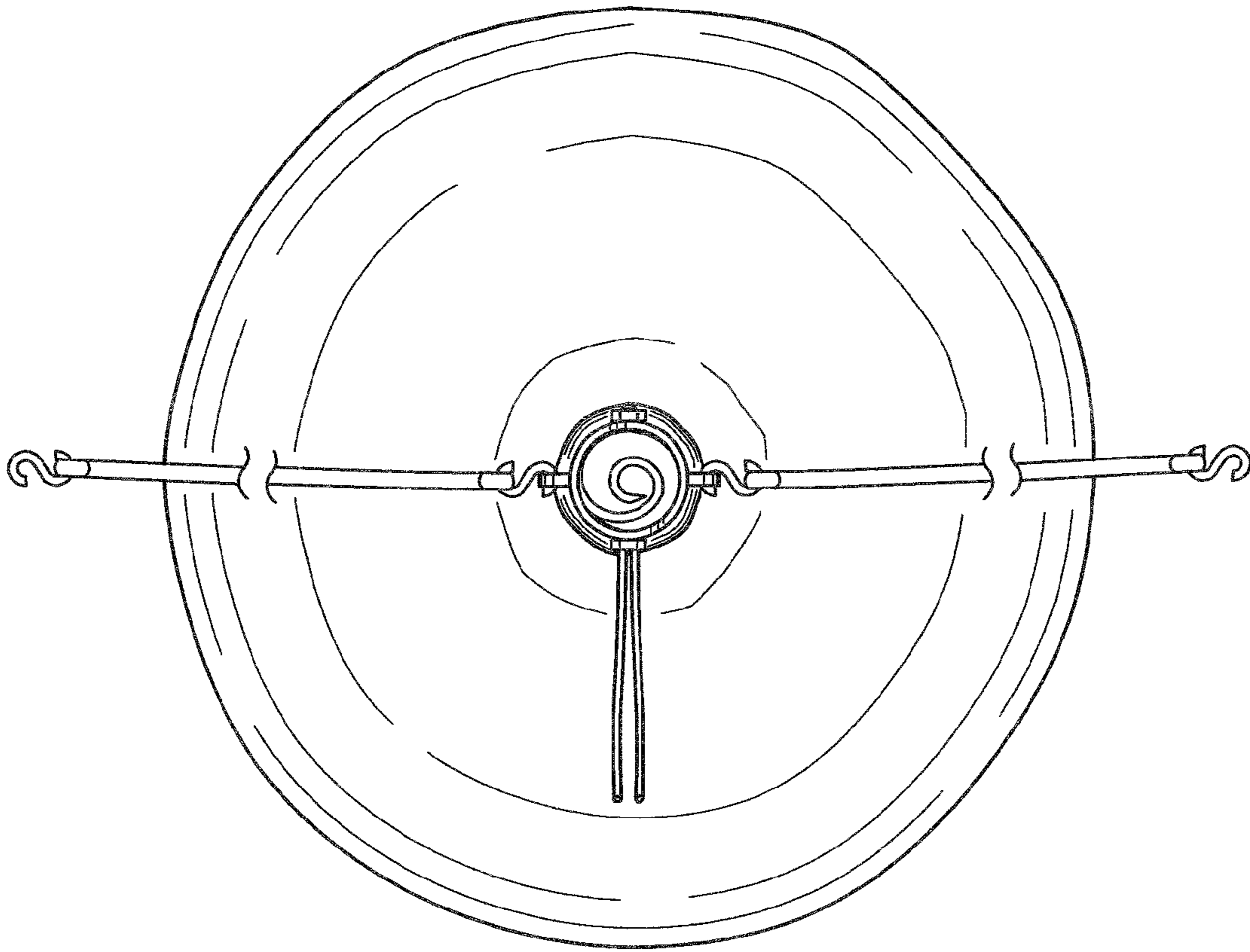


FIG. 5

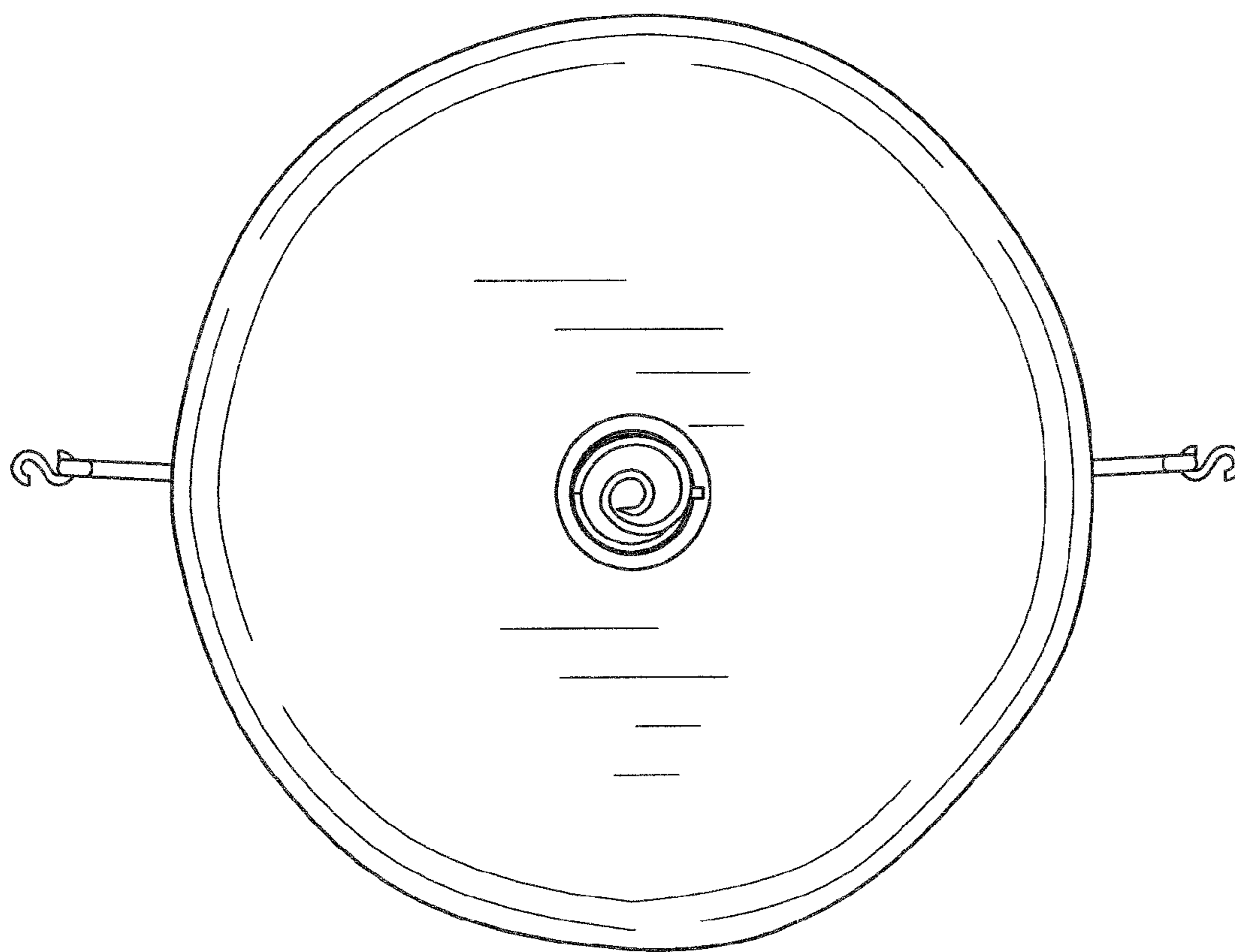


FIG. 6