



US00D625507S

(12) **United States Design Patent**
Quinn

(10) **Patent No.:** **US D625,507 S**

(45) **Date of Patent:** **** Oct. 19, 2010**

(54) **FOLDING CANOPY**

2008/0149152 A1 6/2008 Huang

(75) Inventor: **Thomas A. Quinn**, Carlsbad, CA (US)

FOREIGN PATENT DOCUMENTS

(73) Assignee: **Pro Performance Sports**, Carlsbad, CA (US)

WO WO 99/44458 A1 9/1999

(**) Term: **14 Years**

OTHER PUBLICATIONS

(21) Appl. No.: **29/355,727**

“Kelysus Convertible Canopy Chair”, product sheet printed from <http://www.amazon.com/Kelysus-Convertible-Canopy-Chair-Blue/dp/B00108LLKO/ref=p...> (Feb. 11, 2009). 2 pages.

(22) Filed: **Feb. 12, 2010**

“UV Canopy for Kelsyus Chairs”, product sheet printed from <http://www.beachstore.com/Beach-Products/BackPack-Beach-Chairs/UV-Canopy-for-Kels...> (Feb. 11, 2009). 1 page.

(51) **LOC (9) Cl.** **03-03**

“Renetto, The Original Canopy Chair” product sheet printed from <http://www.canopychair.com/sitemap.html> (Feb. 11, 2009). 1 page.

(52) **U.S. Cl.** **D3/5**

* cited by examiner

(58) **Field of Classification Search** D3/5-6,
D3/10-14, 16-17; 135/98-100, 16, 19.5,
135/20.1, 22-25, 25.1, 29, 33.2, 910, 913;
297/184.16

Primary Examiner—Elizabeth A Albert

Assistant Examiner—Kelley A Donnelly

(74) *Attorney, Agent, or Firm*—Kenneth H. Ohriner; Perkins Coie LLP

See application file for complete search history.

(56) **References Cited**

(57) **CLAIM**

U.S. PATENT DOCUMENTS

The ornamental design for a folding canopy, as shown and described.

D338,327 S *	8/1993	Lewis	D3/5
5,505,221 A	4/1996	Gao		
D419,759 S	2/2000	Goudarzi		
6,328,047 B1 *	12/2001	Lee	135/20.1
6,520,574 B1 *	2/2003	Huang	297/184.16
D475,524 S *	6/2003	Clarke	D3/5
D477,906 S *	8/2003	Martin	D3/5
D486,310 S *	2/2004	Goldy	D6/335
D491,348 S *	6/2004	Clarke	D3/5
D491,720 S *	6/2004	Clarke	D3/5
D494,769 S *	8/2004	Vigneaud	D6/368
6,926,355 B2	8/2005	Le Gette et al.		
D516,296 S *	3/2006	Napieraj	D3/10
D571,111 S *	6/2008	Louis-Jean	D6/335
7,395,828 B1	7/2008	Pulley		
7,431,389 B2	10/2008	Reeb et al.		
D612,624 S *	3/2010	Lovley et al.	D6/368
2002/0157693 A1 *	10/2002	Whitmer	135/16
2007/0236058 A1	10/2007	Yieder		

DESCRIPTION

FIG. 1 is a perspective view of the folding canopy of the present invention;

FIG. 2 is a front elevation view thereof;

FIG. 3 is a rear elevation view thereof;

FIG. 4 is a left side elevation view thereof

FIG. 5 is a right elevation view thereof; and,

FIG. 6 is a top plan view thereof.

The broken lines illustrating a chair are for the purpose of illustrating the environment of the design only and form no part of the claimed design.

1 Claim, 6 Drawing Sheets





FIG. 1

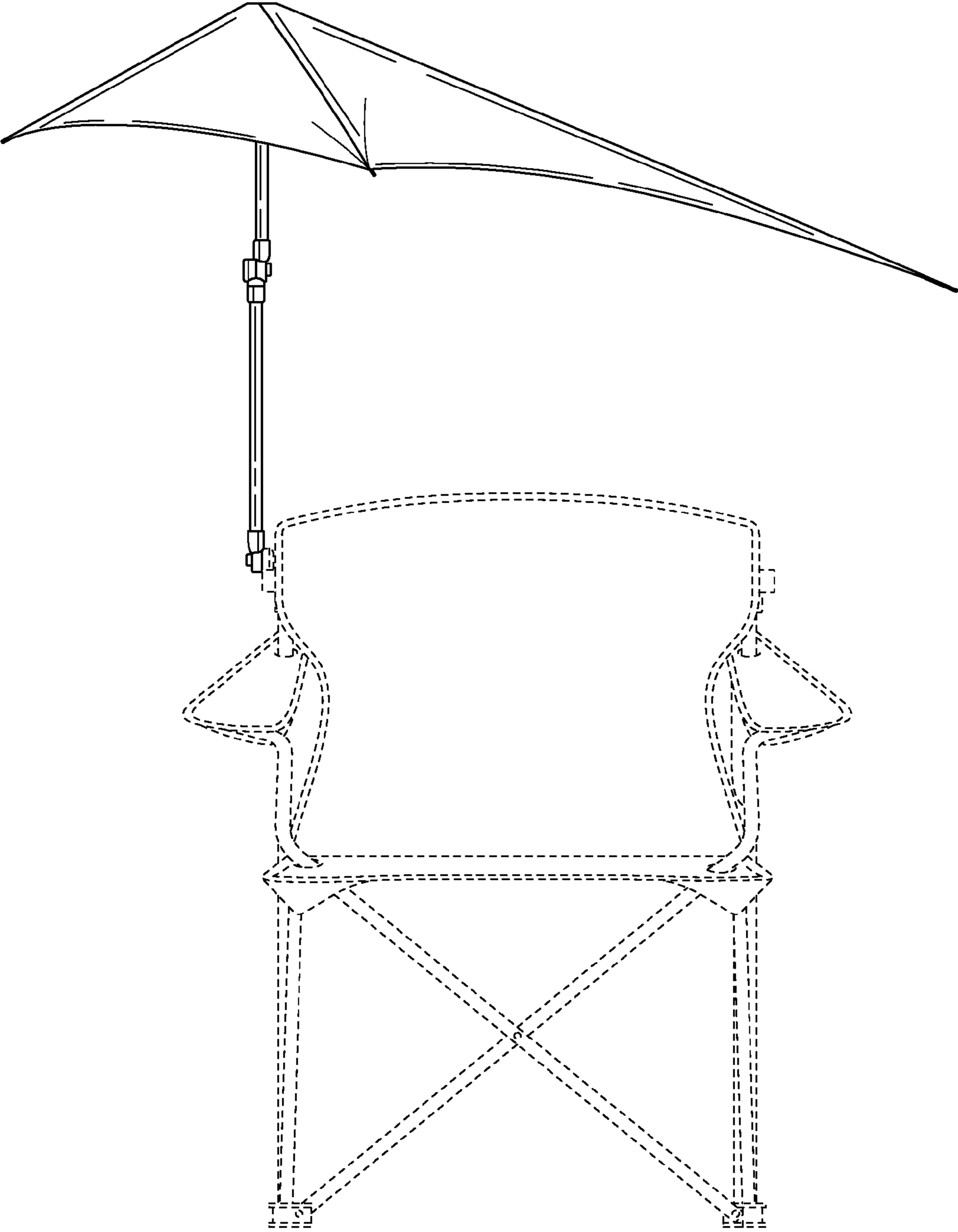


FIG. 2

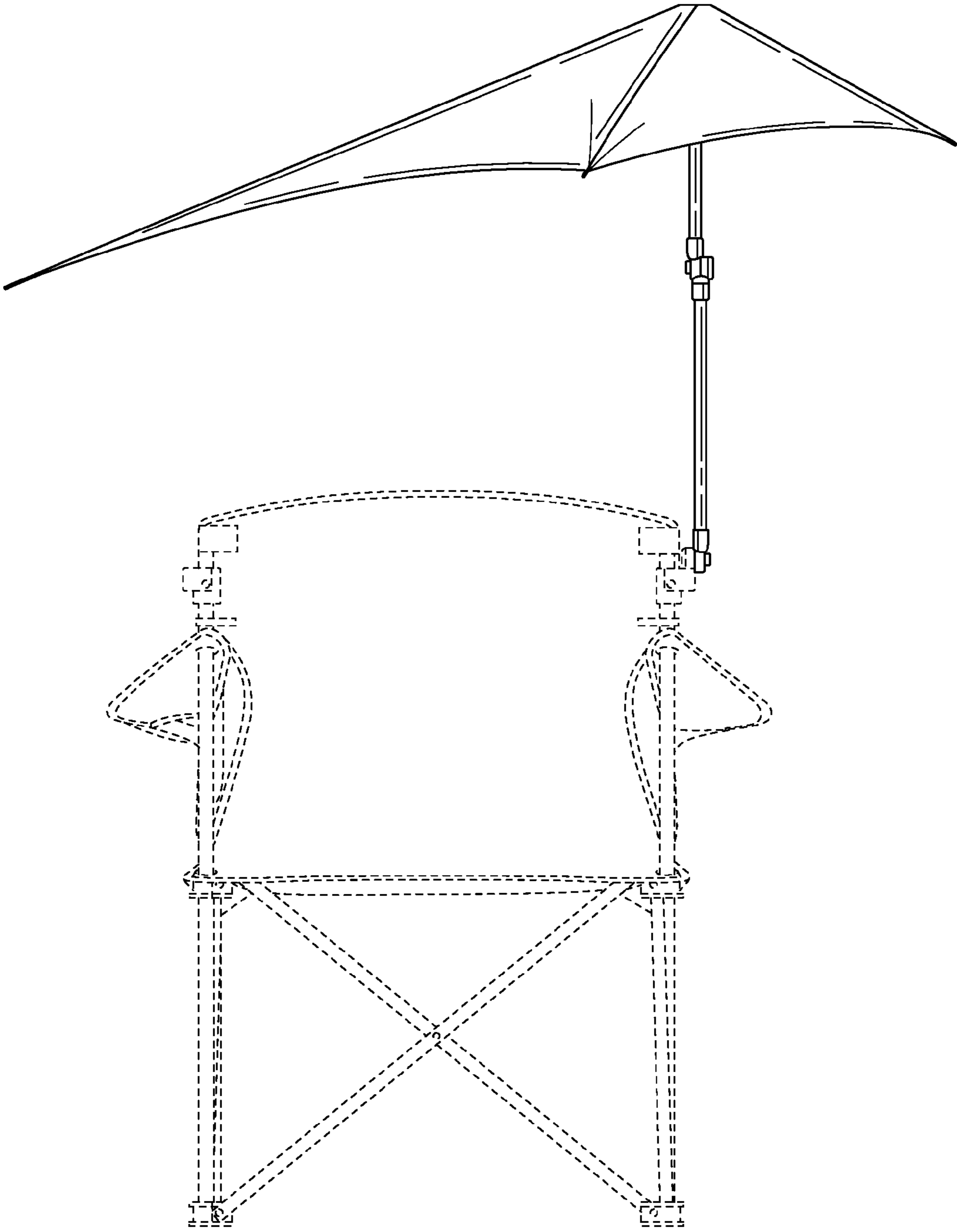


FIG. 3

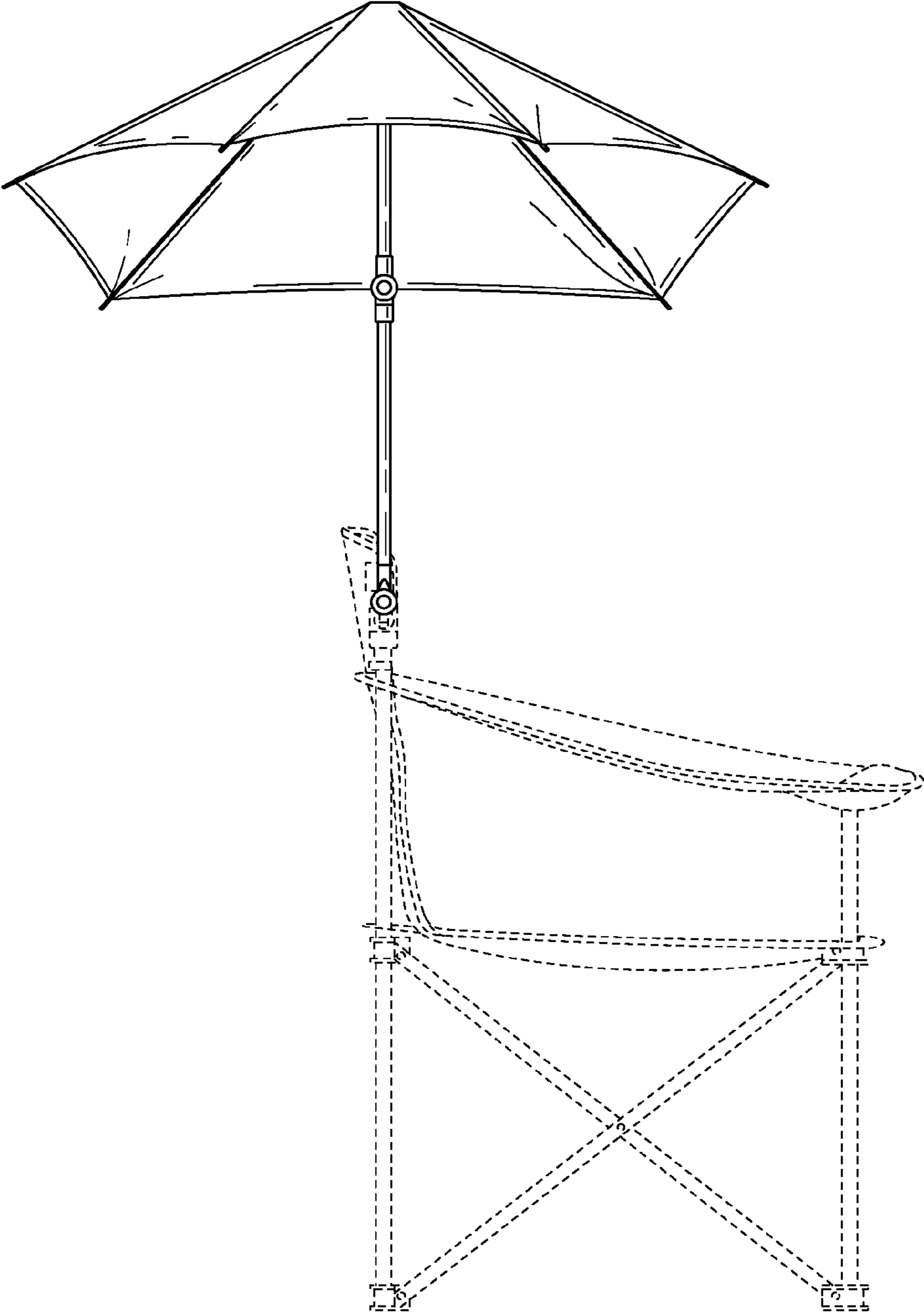


FIG. 4

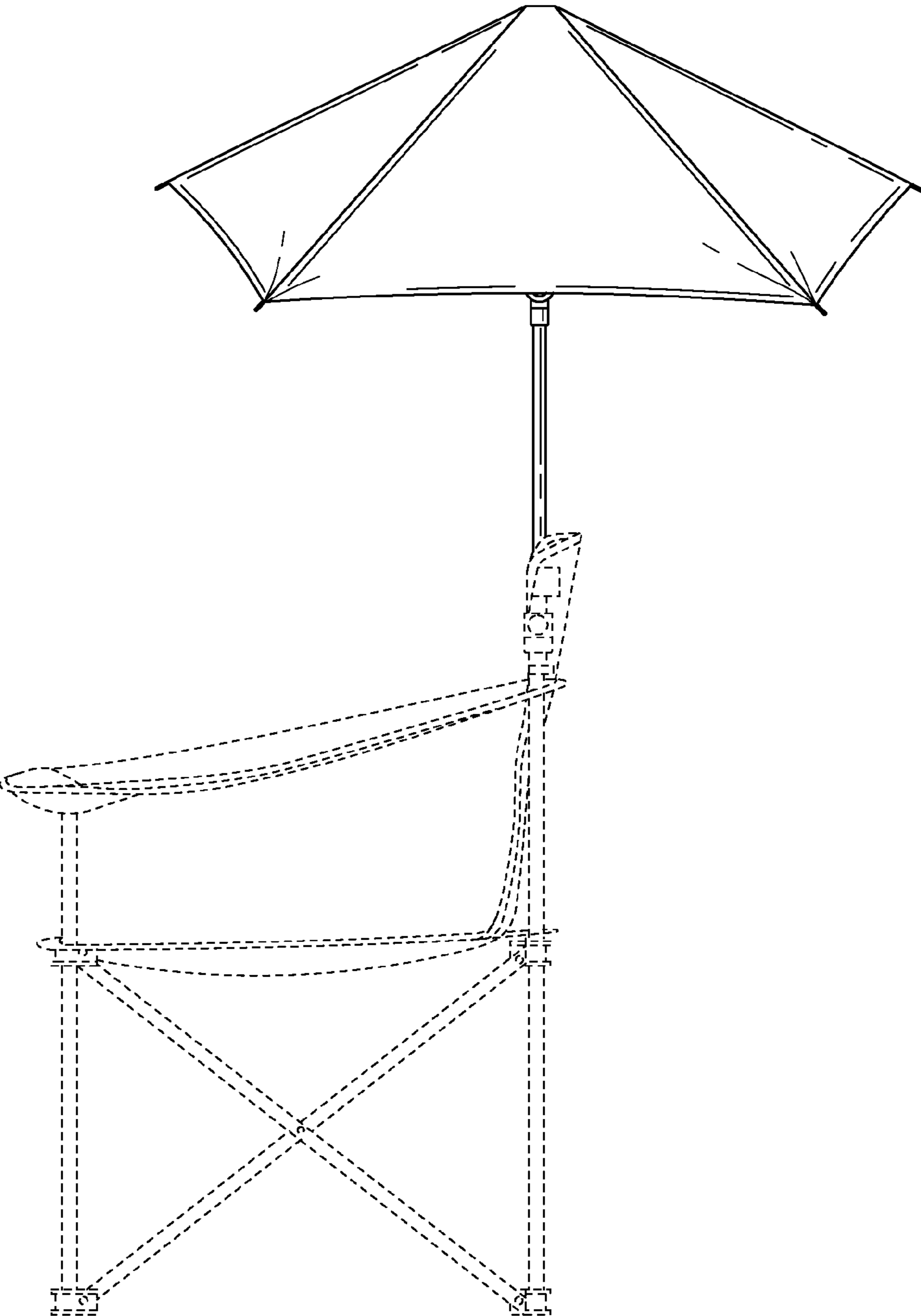


FIG. 5

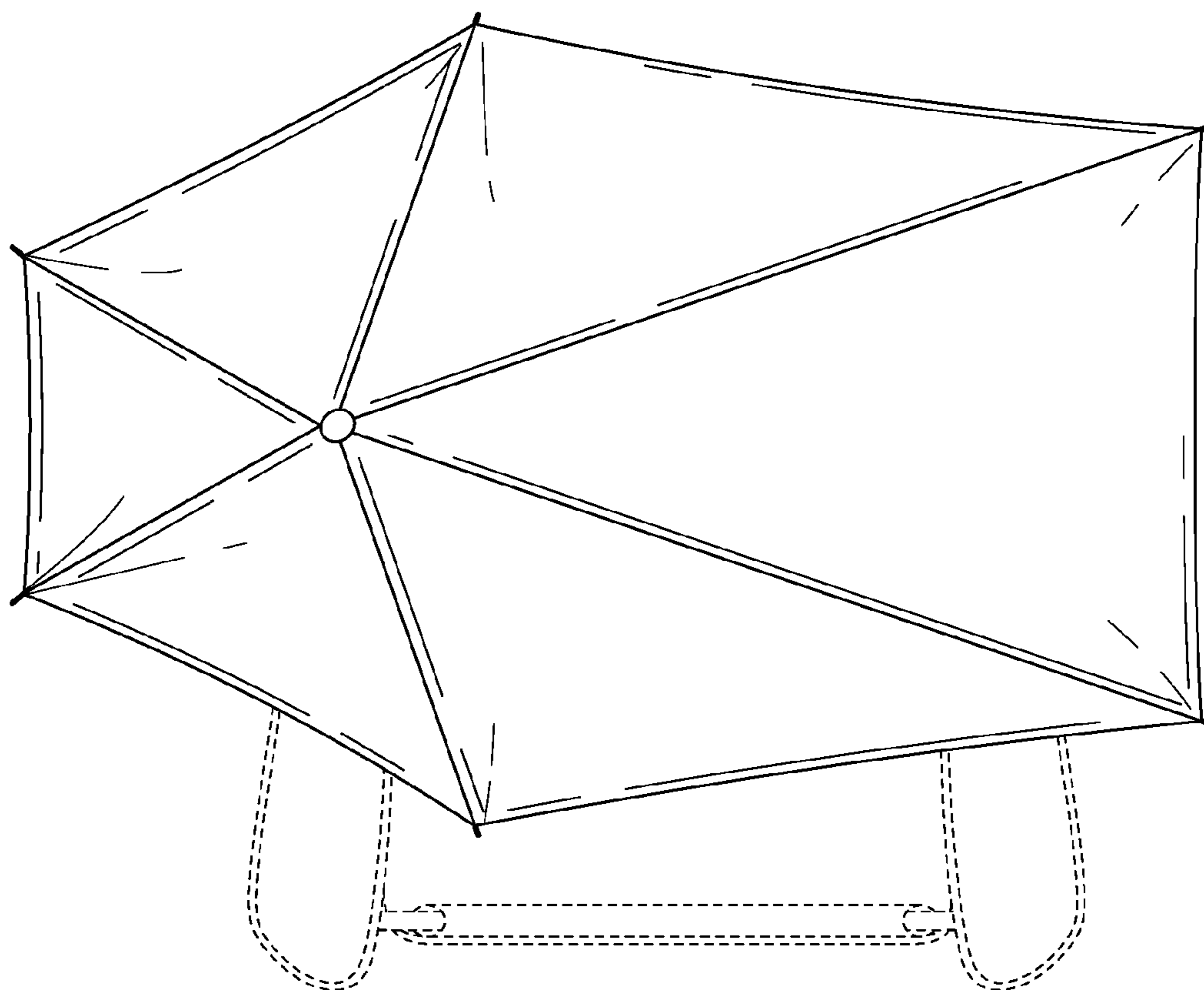


FIG. 6