



US00D625500S

(12) **United States Design Patent**
Dekovic

(10) **Patent No.:** **US D625,500 S**
(45) **Date of Patent:** **** Oct. 19, 2010**

(54) **SHOE SOLE**
(75) Inventor: **Denis Dekovic**, Portland, OR (US)
(73) Assignee: **Nike, Inc.**, Beaverton, OR (US)
(**) Term: **14 Years**
(21) Appl. No.: **29/337,383**
(22) Filed: **May 20, 2009**

(51) **LOC (9) Cl.** **02-04**
(52) **U.S. Cl.** **D2/959; D2/951; D2/957;**
..... **D2/960**
(58) **Field of Classification Search** **D2/947,**
..... **D2/951, 952, 953, 957, 959, 960; 36/3 B,**
..... **36/22 R, 24.5, 25 R, 67 A, 59 C, 103**
See application file for complete search history.

(56) **References Cited**
U.S. PATENT DOCUMENTS

D65,744 S	10/1924	Kuhn	
D69,062 S	12/1925	Bommer	
D73,143 S	7/1927	Oakley	
1,659,339 A	2/1928	Vetterling	
D81,136 S *	5/1930	Klein D2/949
D90,057 S *	5/1933	Cleef D2/949
1,936,729 A	11/1933	Mebane	
D103,507 S	3/1937	Quinn	
D120,316 S	4/1940	Reeves	
D161,449 S	1/1951	Hoza	
D169,559 S	10/1963	Bingham et al.	
D197,505 S	2/1964	Bingham et al.	
D233,637 S	11/1974	Askew	
D247,658 S	4/1978	Keen	
D291,945 S	9/1987	Kelley et al.	
D302,901 S *	8/1989	Mitsui D2/959
D321,588 S	11/1991	Issler	
D323,421 S	1/1992	Lucarelli	
D388,940 S *	1/1998	Barker D2/907
D416,379 S	11/1999	Cintron	
D441,176 S	5/2001	Dean	
D449,428 S	10/2001	McClaskie	
D495,479 S	9/2004	McDowell	
D499,239 S	12/2004	Burg et al.	

6,920,705 B2 7/2005 Lucas et al.
D545,035 S 6/2007 Roulo
D545,036 S * 6/2007 Roulo D2/959
7,243,445 B2 7/2007 Manz et al.
D562,541 S * 2/2008 Avar D2/972

(Continued)

OTHER PUBLICATIONS

Nike Footware Catalog (Holiday 1997), p. 133, published Mar. 1997, Beaverton, Oregon, USA.

(Continued)

Primary Examiner—Celia A Murphy
(74) *Attorney, Agent, or Firm*—TraskBritt

(57) **CLAIM**

The ornamental design for a shoe sole, as shown and described.

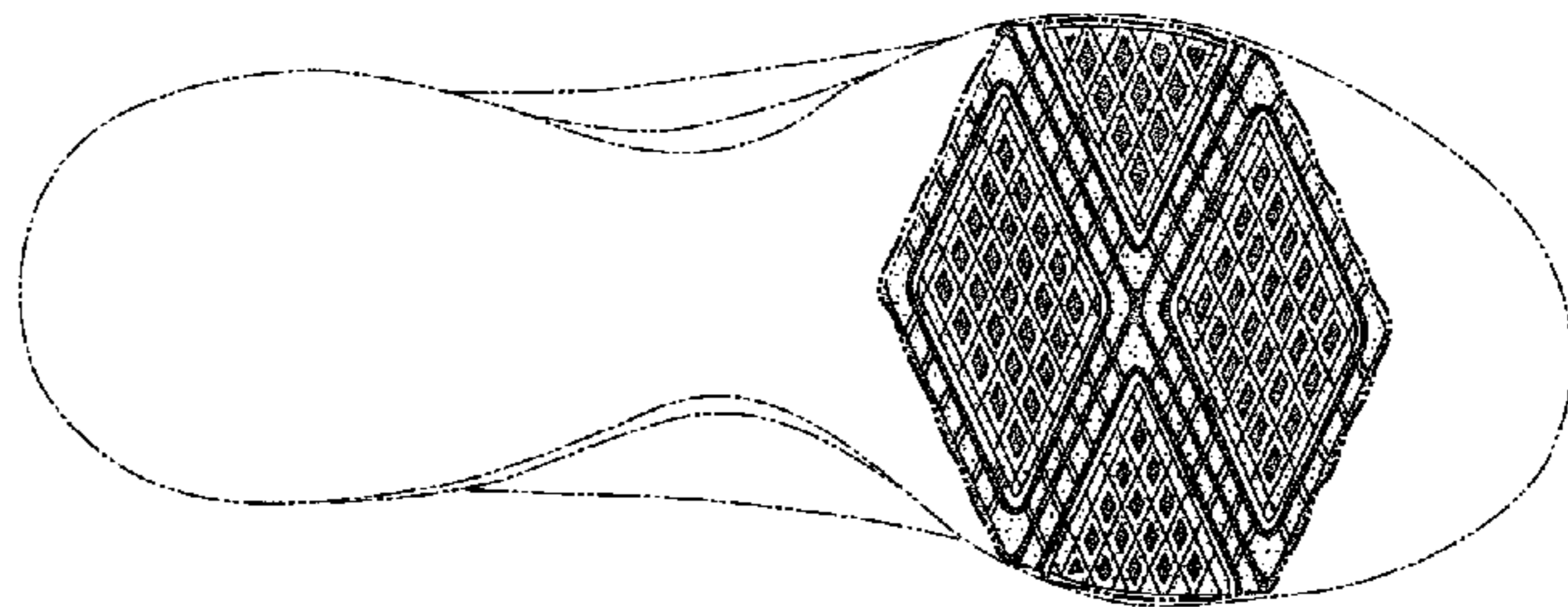
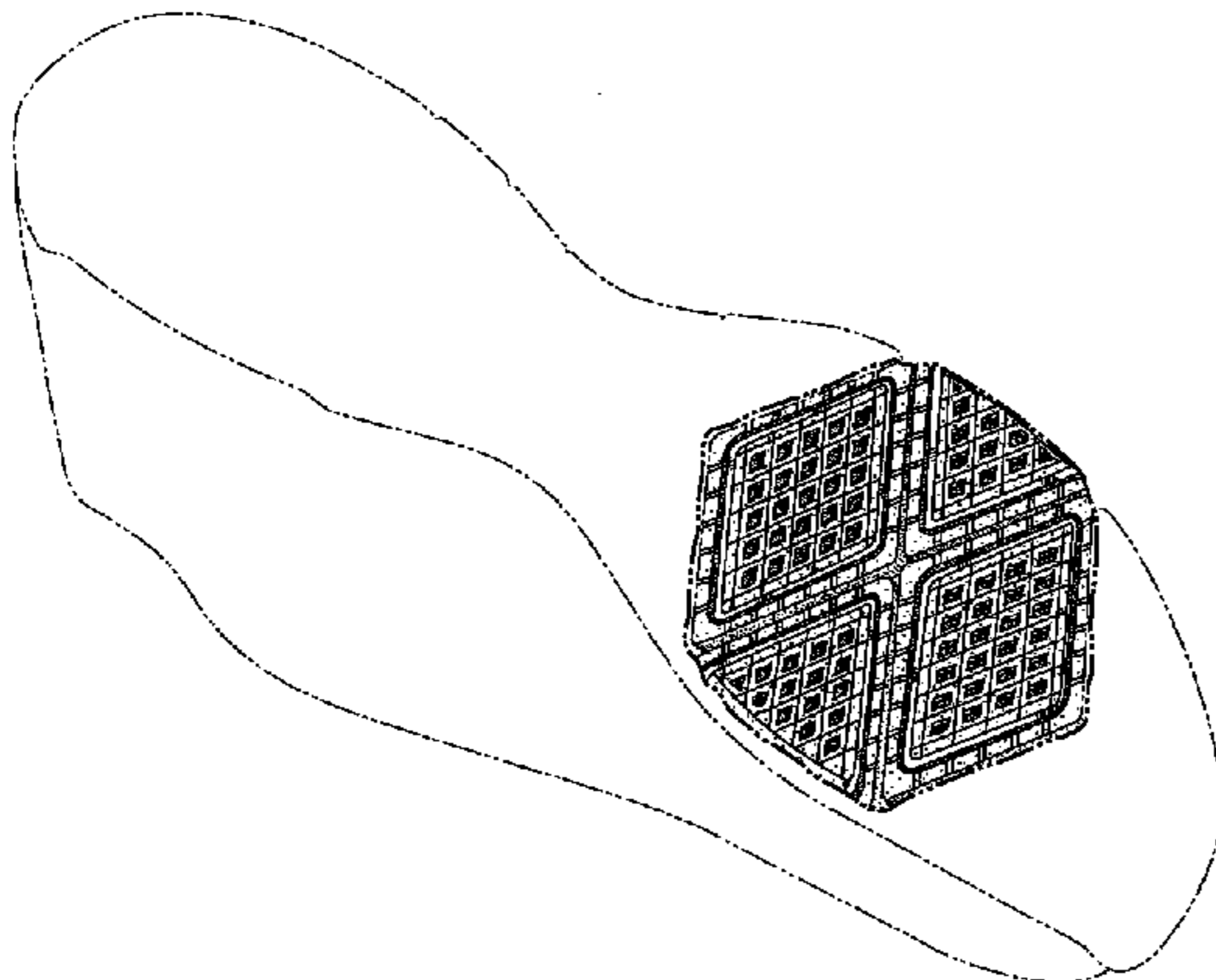
DESCRIPTION

FIG. 1 is a perspective view of a shoe sole showing my new design; and,

FIG. 2 is a plan view of the shoe sole as shown in FIG. 1.

The uneven broken line immediately adjacent to the shaded area represents the bounds of the claimed design. All other uneven broken lines outside of the uneven broken line immediately adjacent to the shaded area represent the remaining portion of the shoe. The uneven broken lines within the shaded area are for the purpose of illustration and form no part of the claimed design. The uneven broken line representations in FIGS. 1-2 are for illustrative purposes only and form no part of the claimed design.

1 Claim, 2 Drawing Sheets



US D625,500 S

Page 2

U.S. PATENT DOCUMENTS

D566,381 S 4/2008 Nakano et al.
D577,183 S 9/2008 Link
D577,883 S 10/2008 Link
D595,036 S * 6/2009 Link D2/957
D596,836 S * 7/2009 Link D2/957
2002/0078598 A1* 6/2002 Bell 36/59 R
2005/0268491 A1* 12/2005 McDonald et al. 36/28

OTHER PUBLICATIONS

Nike Women's Footware Catalog (Holiday 1999), pp. W22, W77, published Mar. 1999, Beaverton, Oregon, USA.
Nike Men's Footware Catalog (Holiday 1999), pp. M52, M87, published Mar. 1999, Beaverton, Oregon, USA.
Nike Men's Footware Catalog (Late Spring 2001), p. 58, published Sep. 2000, Beaverton, Oregon, USA.
Nike Men's Footware Catalog (Fall 2003), p. 10, published Nov. 2002, Beaverton, Oregon, USA.

Nike Men's Footware Catalog (Spring 2004), p. 105, published Jun. 2003, Beaverton, Oregon, USA.
Nike Men's/Women's/Kids Footware Catalog (Late Spring 2006), p. 126, published Sep. 2005, Beaverton, Oregon, USA.
Nike Men's/Women's/Kids Footware Catalog (Fall 2006), p. 55, published Nov. 2005, Beaverton, Oregon, USA.
Nike Men's/Women's/Kids Footware Catalog (Spring 2007), pp. 34, 73, published Jun. 2006, Beaverton, Oregon, USA.
Nike Men's/Women's/Kids Footware Catalog (Summer 2007), pp. 47, 63, 74, 186, published Sep. 2006, Beaverton, Oregon, USA.
Nike Men's/Women's/Kids Footware Catalog (Holiday 2007), p. 34, published Feb. 2007, Beaverton, Oregon, USA.
Nike Men's/Women's/Kids Footware Catalog (Holiday 2008), p. 8, published Feb. 2008, Beaverton, Oregon, USA.
Nike Men's/Women's/Kids Footware Catalog (Summer 2009), pp. 149, 153, 158, published Aug. 2008, Beaverton, Oregon, USA.
Nike Men's/Women's/Kids Footware Catalog (Fall 2009), pp. 32, 154, 157, 158, 178, published Sep. 2008, Beaverton, Oregon, USA.

* cited by examiner

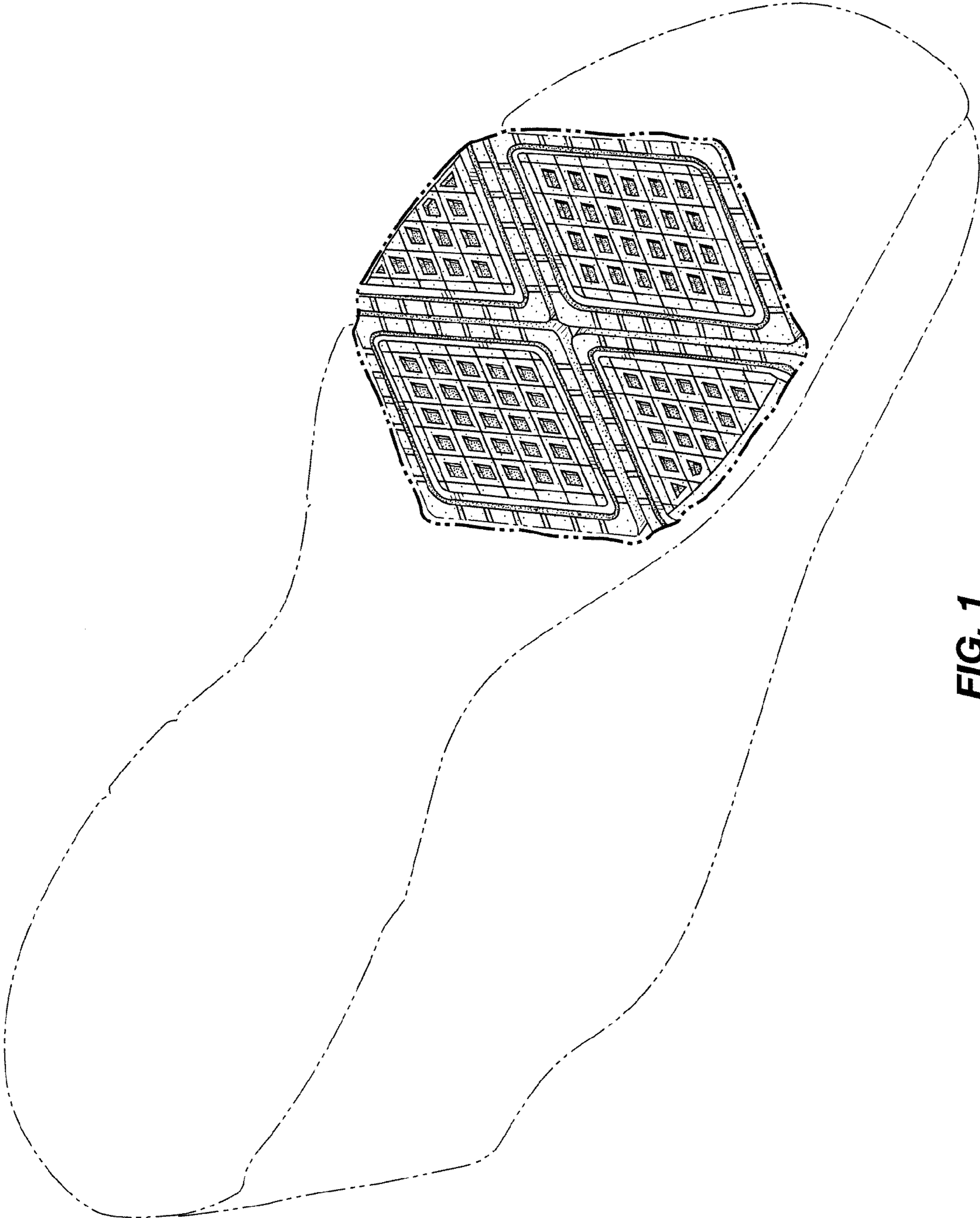


FIG. 1

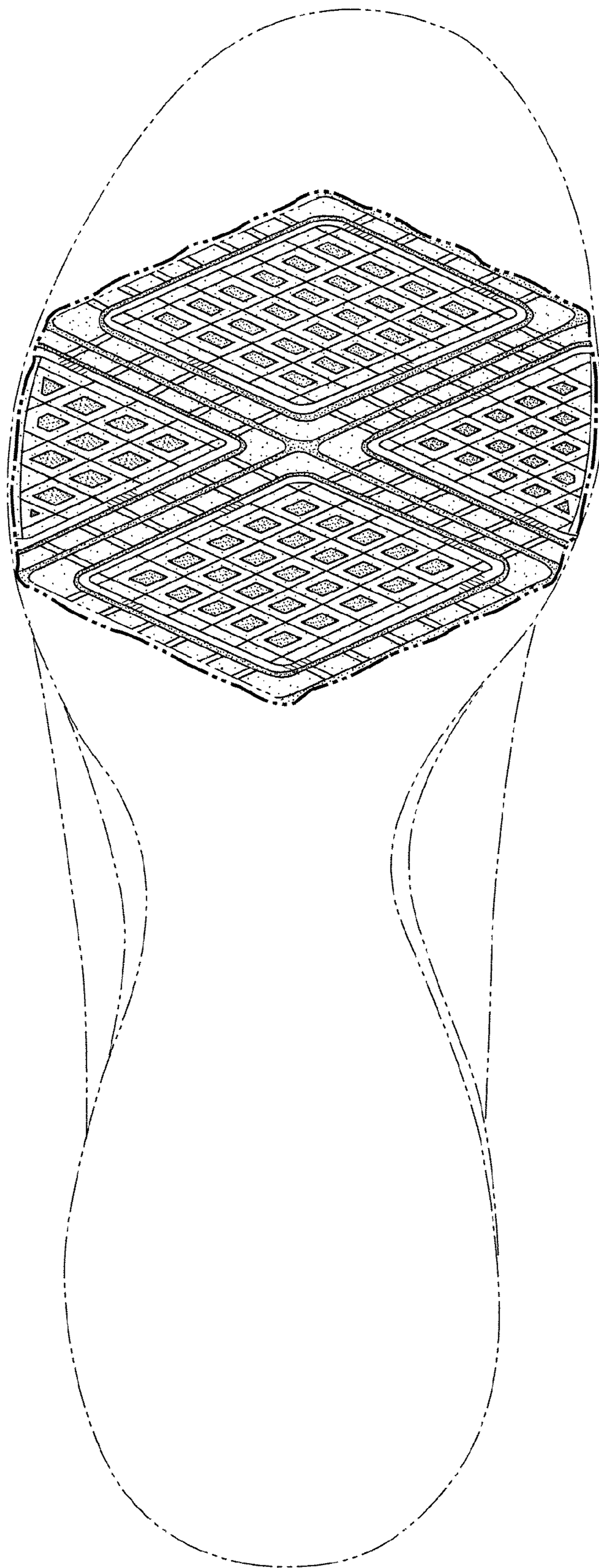


FIG. 2