



US00D625497S

(12) **United States Design Patent**  
**McClaskie**

(10) **Patent No.:** **US D625,497 S**  
(45) **Date of Patent:** **\*\* Oct. 19, 2010**

(54) **SHOE**  
(75) Inventor: **Thomas E. McClaskie**, Bethlehem, PA  
(US)  
(73) Assignee: **Columbia Insurance Company**,  
Omaha, NE (US)

D590,141 S 4/2009 McClaskie  
D591,516 S \* 5/2009 Enderby et al. .... D5/32  
D593,289 S 6/2009 McClaskie  
D603,593 S \* 11/2009 McClaskie .... D2/952  
D608,993 S \* 2/2010 McClaskie .... D2/952  
D608,995 S \* 2/2010 McClaskie .... D2/952  
D610,331 S \* 2/2010 Issler .... D2/952

(\*\*) Term: **14 Years**  
(21) Appl. No.: **29/359,729**  
(22) Filed: **Apr. 14, 2010**

\* cited by examiner  
*Primary Examiner*—Celia A Murphy  
(74) *Attorney, Agent, or Firm*—St. Onge Steward Johnston &  
Reens LLC

(51) **LOC (9) Cl.** ..... **02-04**  
(52) **U.S. Cl.** ..... **D2/952; D2/951; D2/953**  
(58) **Field of Classification Search** ..... D2/947,  
D2/950, 951, 952, 953; D5/6, 32, 37; 36/22 R,  
36/24.5, 25 R, 67 A, 59 C, 103  
See application file for complete search history.

(57) **CLAIM**

The ornamental design for a shoe, as shown and described.

(56) **References Cited**  
U.S. PATENT DOCUMENTS

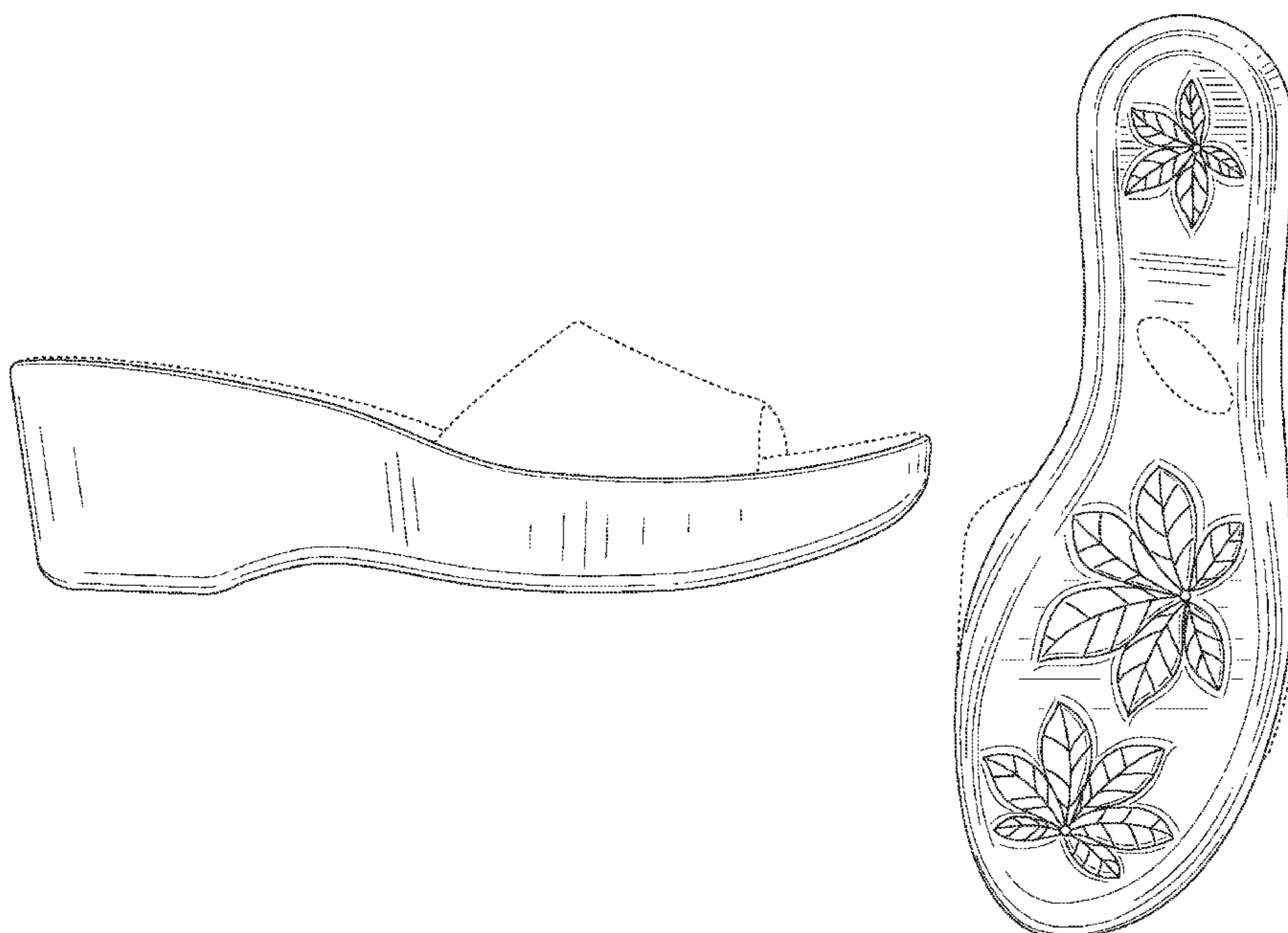
**DESCRIPTION**

FIG. 1 is a bottom perspective view of a shoe in accordance with the new design;  
FIG. 2 is a left side view thereof;  
FIG. 3 is a right side view thereof;  
FIG. 4 is a top view thereof;  
FIG. 5 is a bottom view thereof;  
FIG. 6 is a front view thereof; and,  
FIG. 7 is a rear view thereof.

- D127,568 S \* 6/1941 Gurry, Jr. .... D5/32
- D157,686 S \* 3/1950 Kracke ..... D5/11
- D474,612 S \* 5/2003 Wessblad et al. .... D5/32
- D489,520 S 5/2004 Matis et al.
- D495,121 S 8/2004 McClaskie
- D495,856 S 9/2004 McClaskie
- D497,468 S 10/2004 McClaskie
- D523,247 S \* 6/2006 Saarväli et al. .... D5/32
- D525,017 S 7/2006 Ochoa
- D553,832 S 10/2007 McClaskie
- D555,338 S \* 11/2007 McClaskie .... D2/952
- D556,461 S \* 12/2007 Rudberg et al. .... D5/32
- D558,963 S 1/2008 McClaskie
- D587,438 S 3/2009 McClaskie

The shoe upper shown in broken lines in FIGS. 1-7 is for environmental purposes only and forms no part of the claimed design. The broken lines shown in each arch area of FIGS. 1 and 5 represent boundaries of the design with the lines themselves and the areas within them forming no part of the claimed design.

**1 Claim, 6 Drawing Sheets**



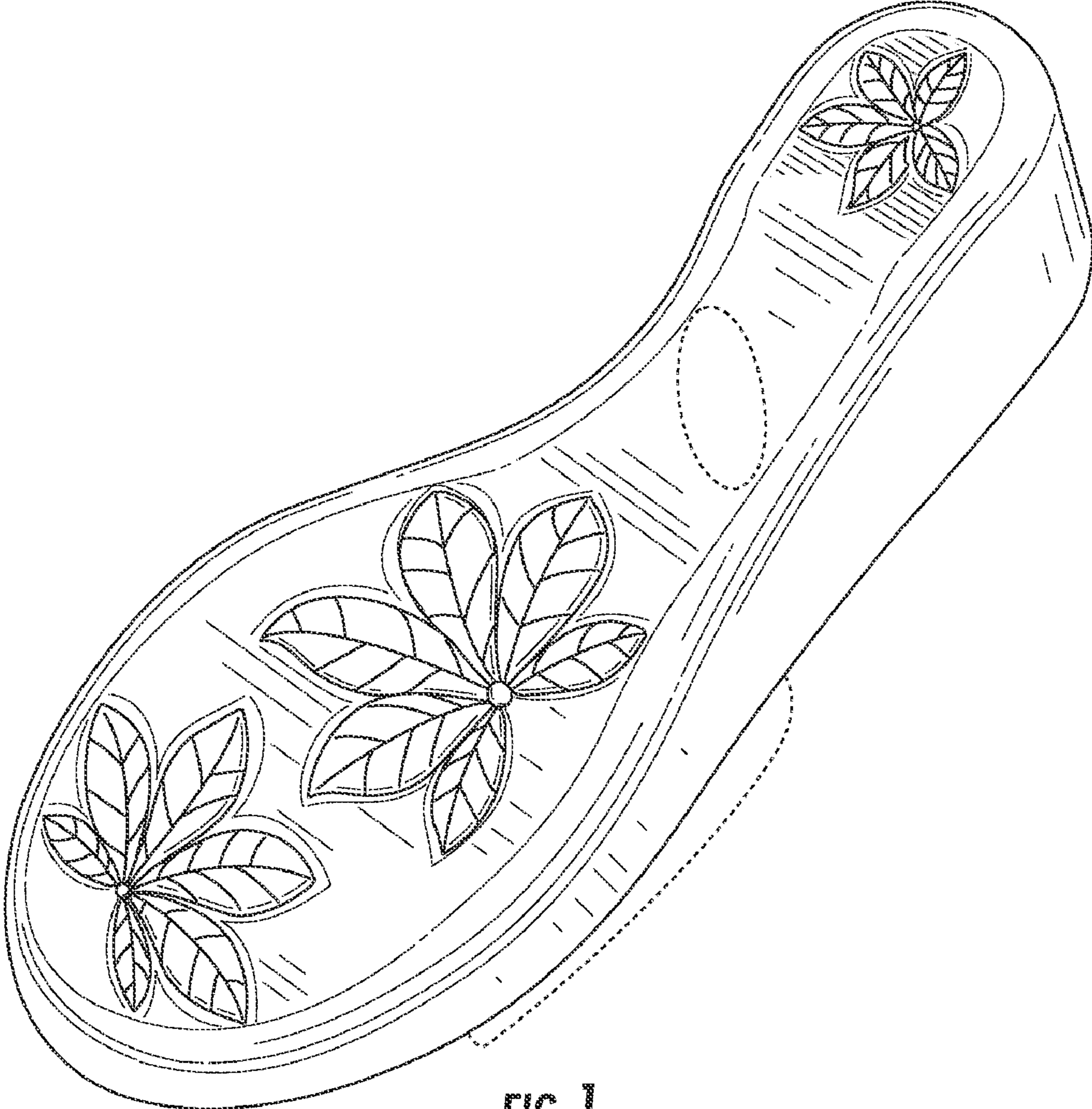


FIG. 1

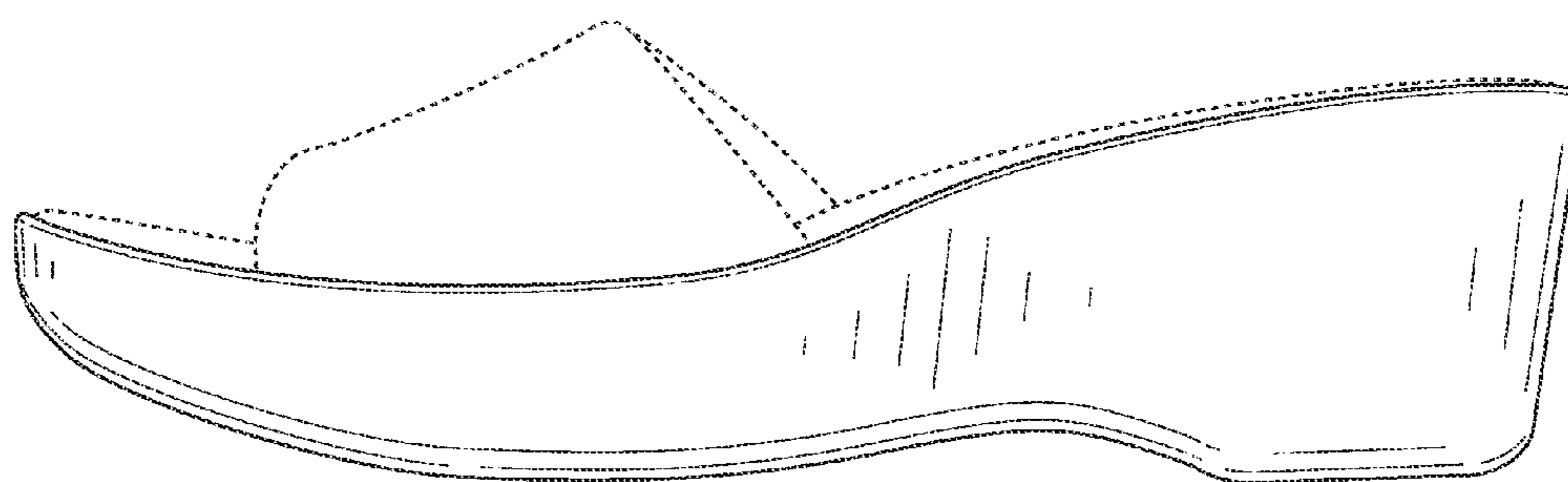


FIG. 2

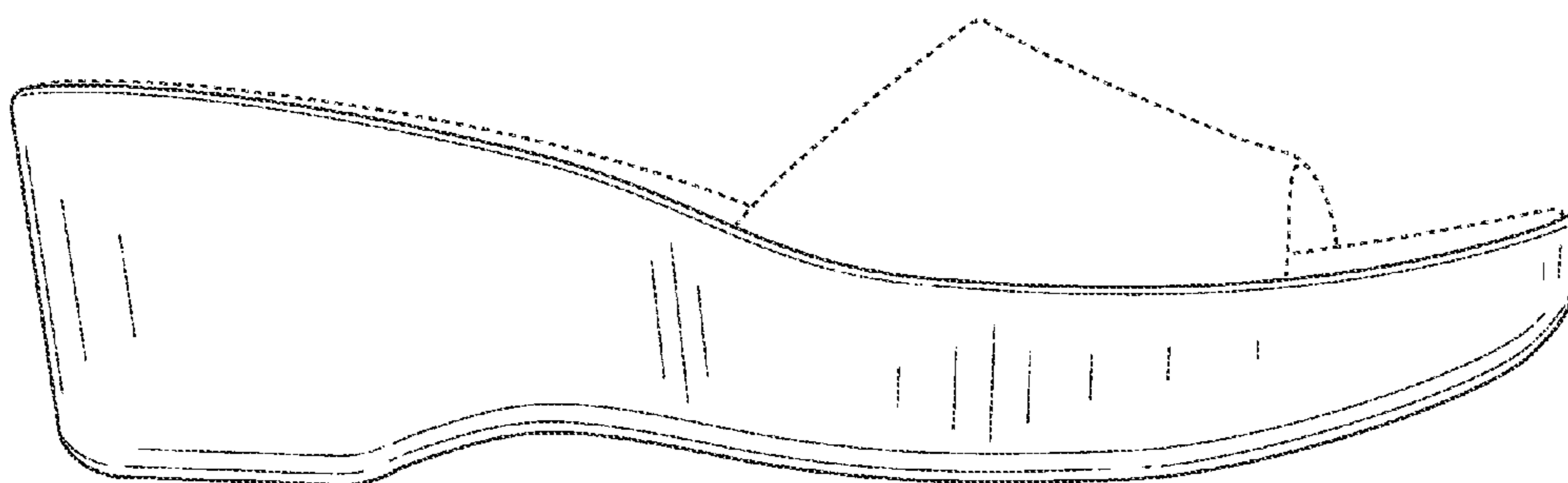
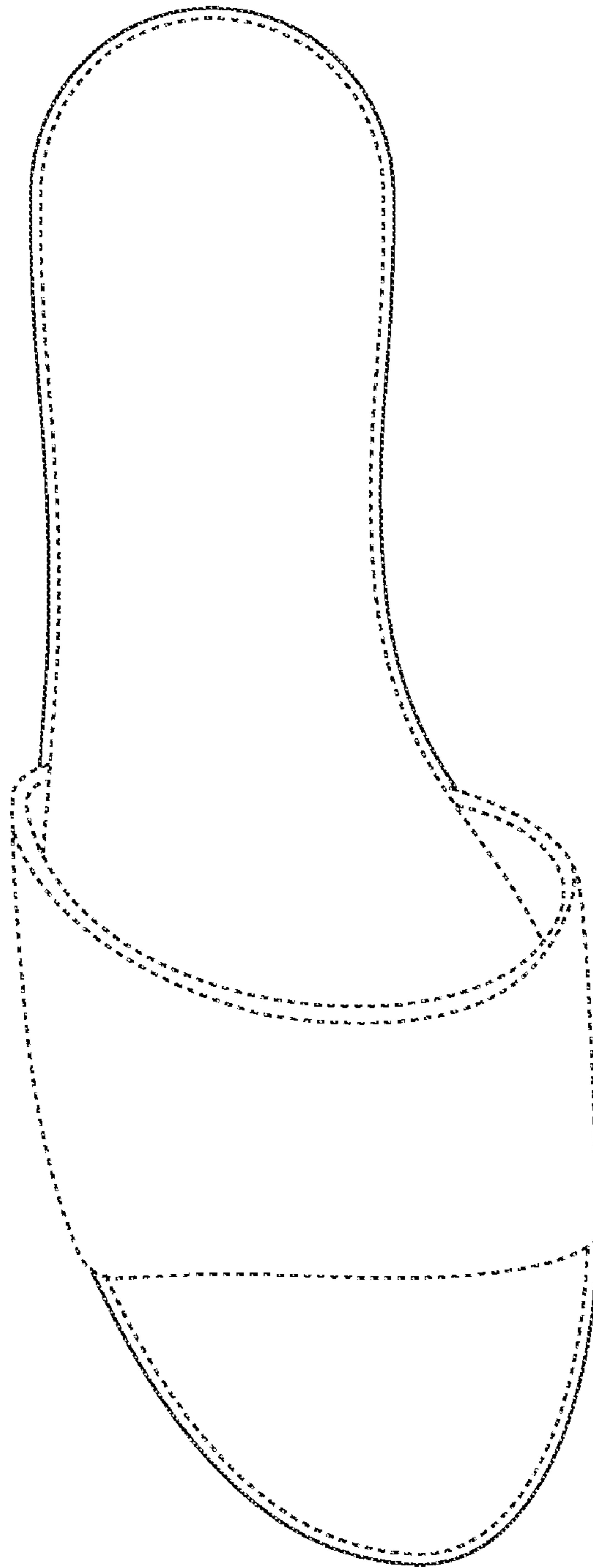


FIG. 3



**FIG. 4**

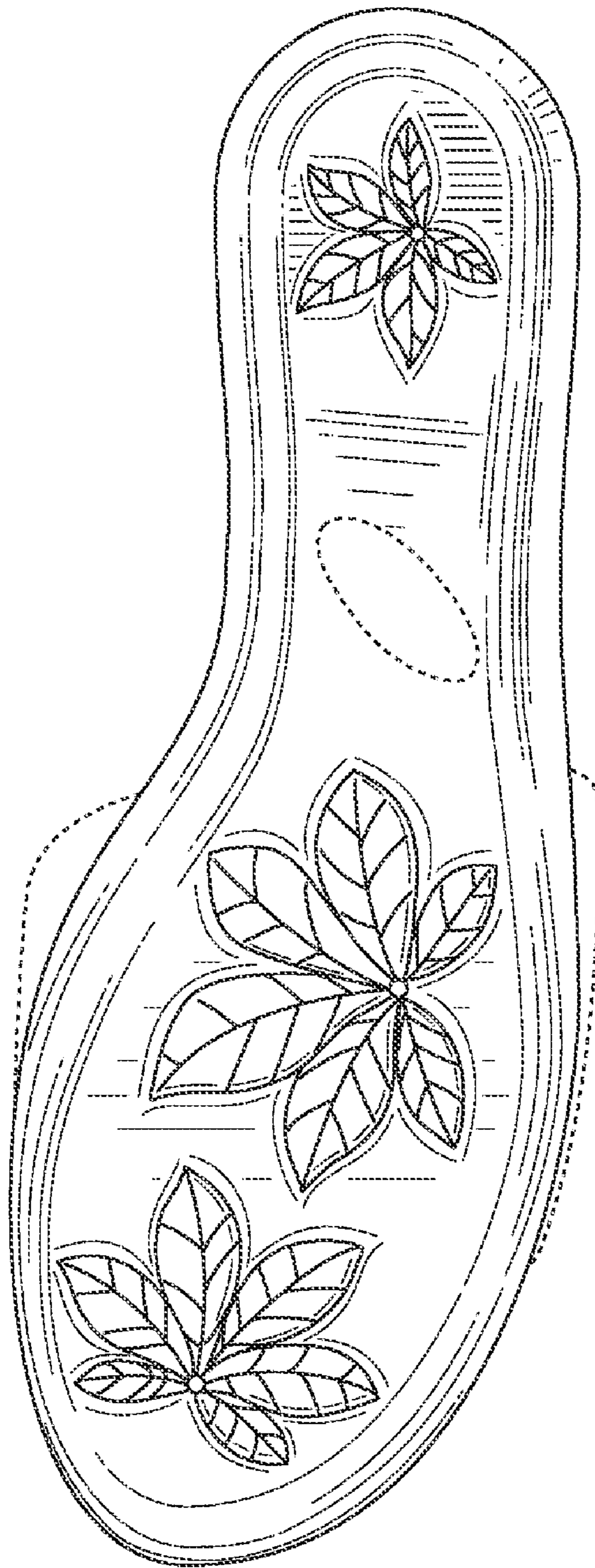
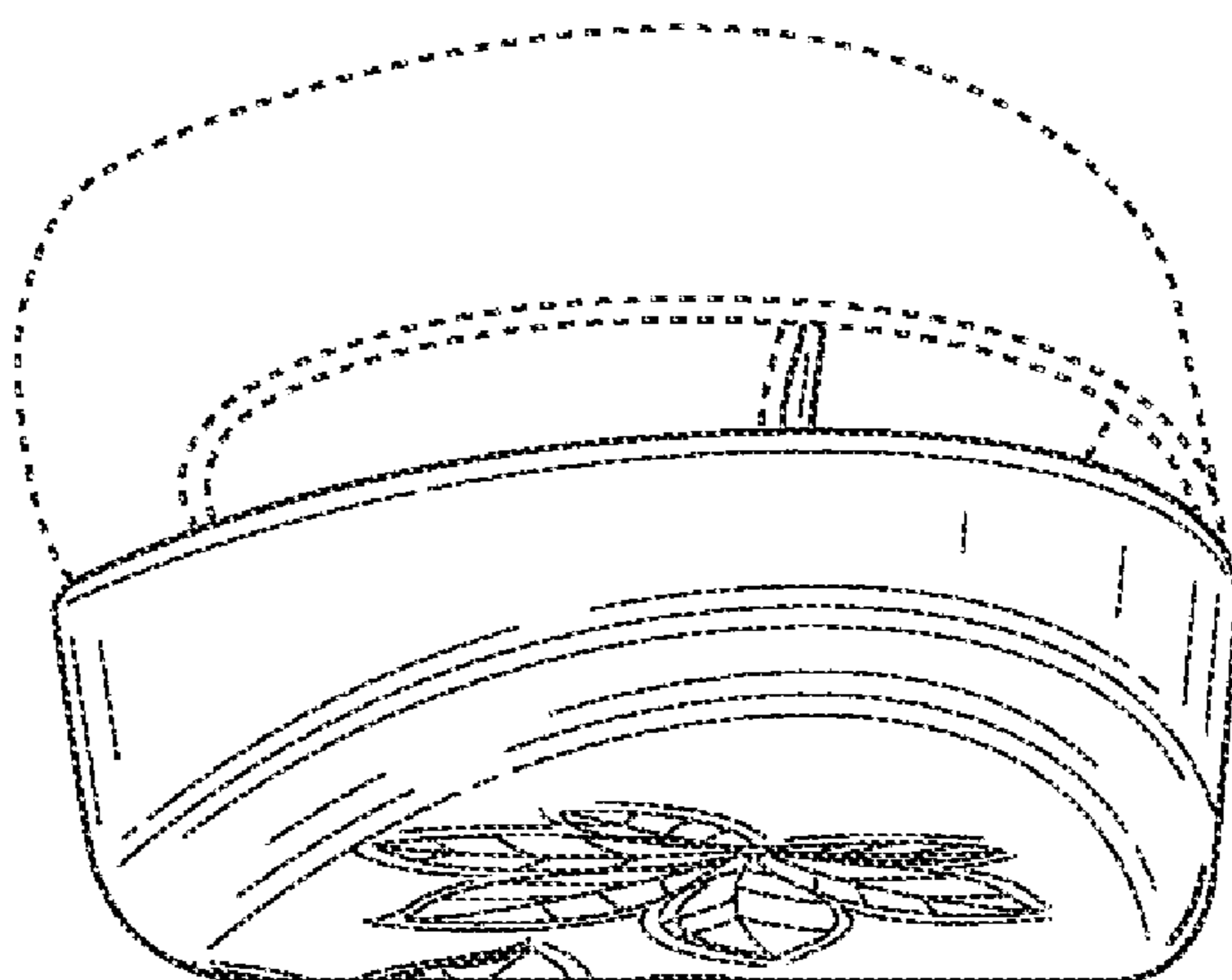
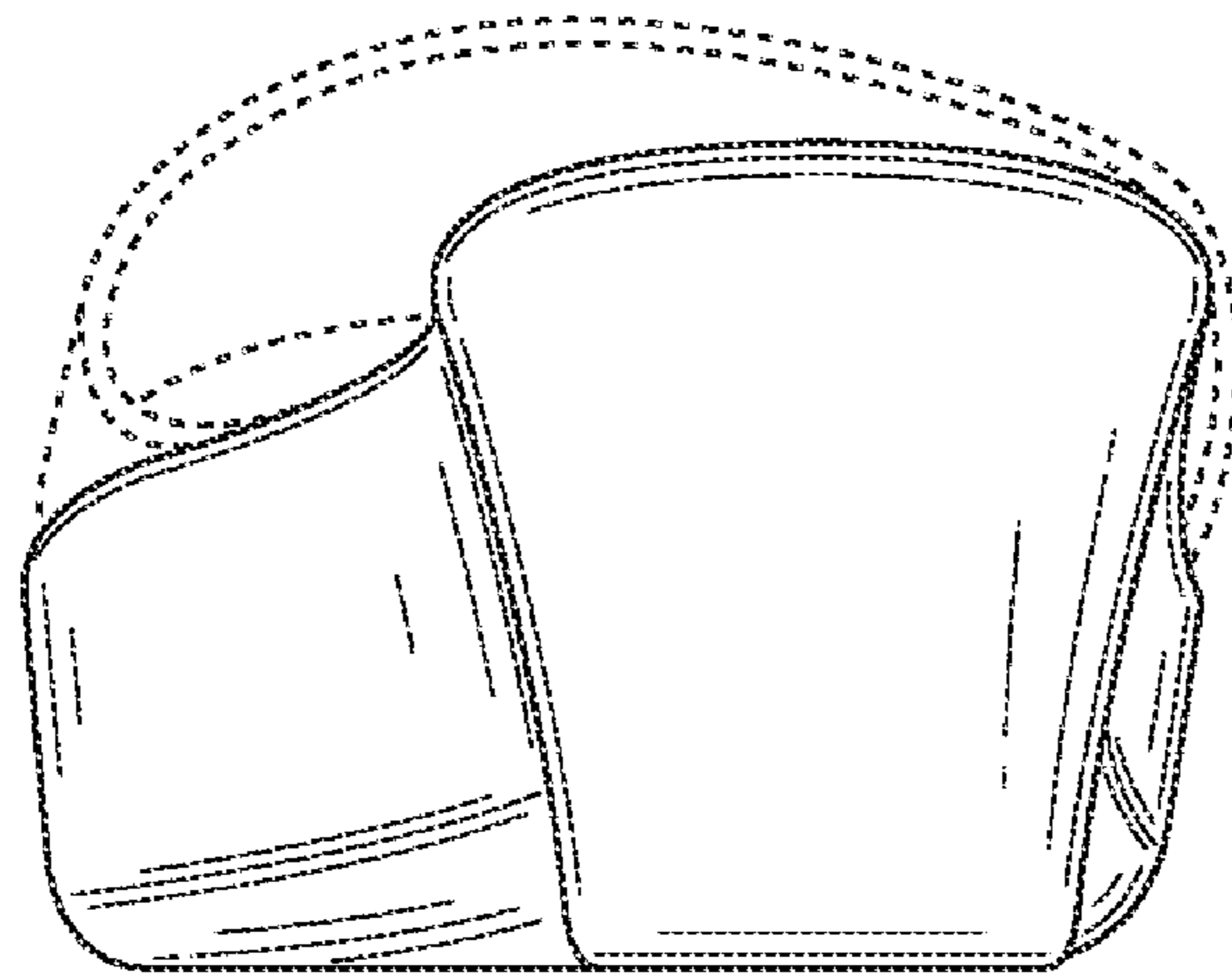


FIG. 5



**FIG. 6**



**FIG. 7**