



US00D625496S

(12) **United States Design Patent**  
**McClaskie**

(10) **Patent No.:** **US D625,496 S**

(45) **Date of Patent:** **\*\* Oct. 19, 2010**

(54) **SHOE**

(75) **Inventor:** **Thomas E. McClaskie**, Bethlehem, PA  
(US)

(73) **Assignee:** **Columbia Insurance Company**,  
Omaha, NE (US)

(\*\*) **Term:** **14 Years**

(21) **Appl. No.:** **29/359,278**

(22) **Filed:** **Apr. 8, 2010**

(51) **LOC (9) Cl.** ..... **02-04**

(52) **U.S. Cl.** ..... **D2/952; D2/951; D2/953**

(58) **Field of Classification Search** ..... D2/947,  
D2/950, 951, 952, 953; D5/6, 32, 37; 36/22 R,  
36/24.5, 25 R, 67 A, 59 C, 103  
See application file for complete search history.

(56) **References Cited**

**U.S. PATENT DOCUMENTS**

D41,071 S *	1/1911	Frank	.....	D5/37
D67,964 S *	8/1925	McKane	.....	D5/26
D127,568 S *	6/1941	Gurry, Jr.	.....	D5/32
D283,776 S *	5/1986	Colquitt	.....	D7/396.4
D495,856 S *	9/2004	McClaskie	.....	D2/952
D531,787 S	11/2006	McClaskie		
D546,530 S	7/2007	McClaskie		
D553,832 S	10/2007	McClaskie		
D555,338 S	11/2007	McClaskie		
D558,963 S	1/2008	McClaskie		
D568,034 S	5/2008	Horton et al.		
D584,886 S *	1/2009	Issler	.....	D2/952
D587,438 S	3/2009	McClaskie		

D590,141 S	4/2009	McClaskie		
D603,591 S *	11/2009	McClaskie	.....	D2/952
D603,593 S *	11/2009	McClaskie	.....	D2/952

**OTHER PUBLICATIONS**

Rocky Mountain Columbine—<http://www.loc.gov/rr/scitech/tracer-bullets/columbine.html>; Feb. 12, 2009.\*

\* cited by examiner

*Primary Examiner*—Celia A Murphy

(74) *Attorney, Agent, or Firm*—St. Onge Steward Johnston & Reens LLC

(57) **CLAIM**

The ornamental design for a shoe, as shown and described.

**DESCRIPTION**

FIG. 1 is a bottom perspective view of a shoe in accordance with the new design;

FIG. 2 is a bottom view thereof;

FIG. 3 is a top view thereof;

FIG. 4 is a left side view thereof;

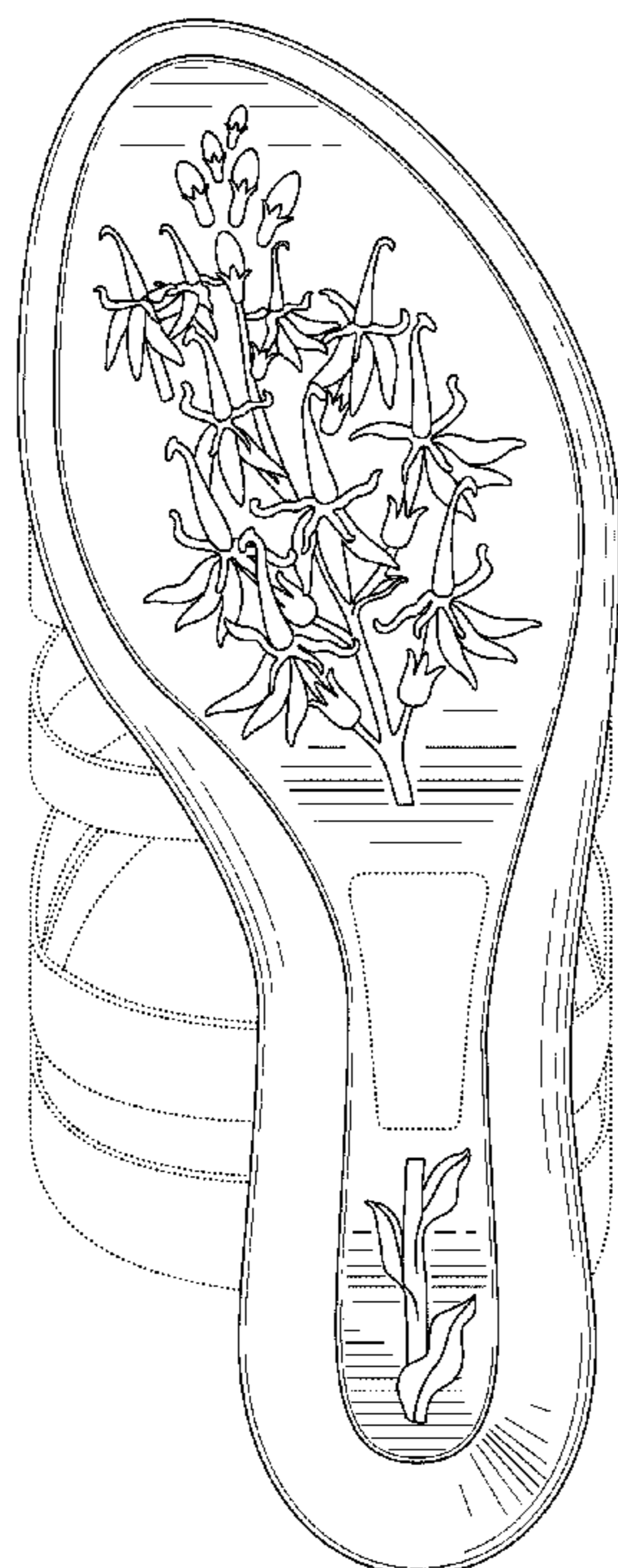
FIG. 5 is a right side view thereof;

FIG. 6 is a front view thereof; and,

FIG. 7 is a rear view thereof.

The shoe upper shown in broken lines in FIGS. 1-7 is for environmental purposes only and forms no part of the claimed design. The broken lines shown in each arch area of FIGS. 1 and 2 represent boundaries of the design with the lines themselves and the areas within them forming no part of the claimed design.

**1 Claim, 7 Drawing Sheets**



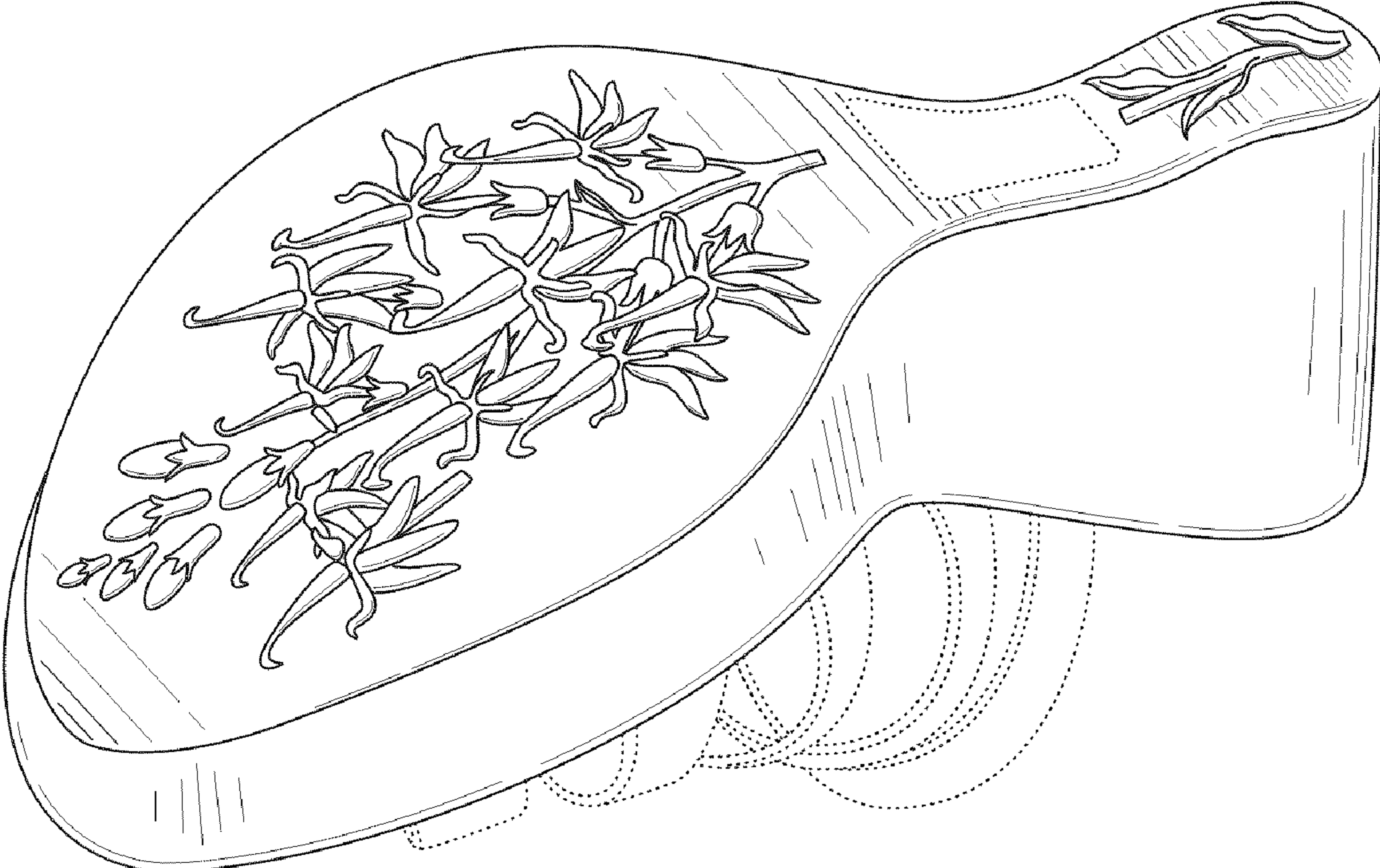


FIG. 1

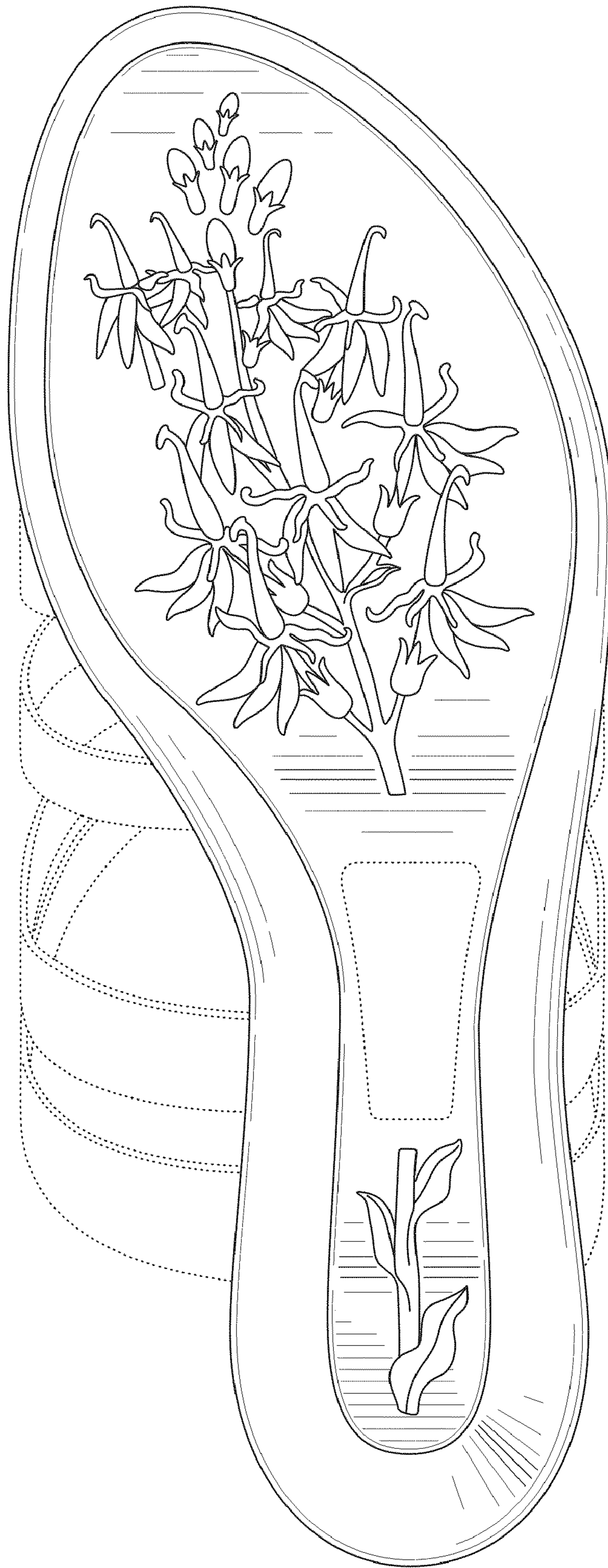


FIG. 2

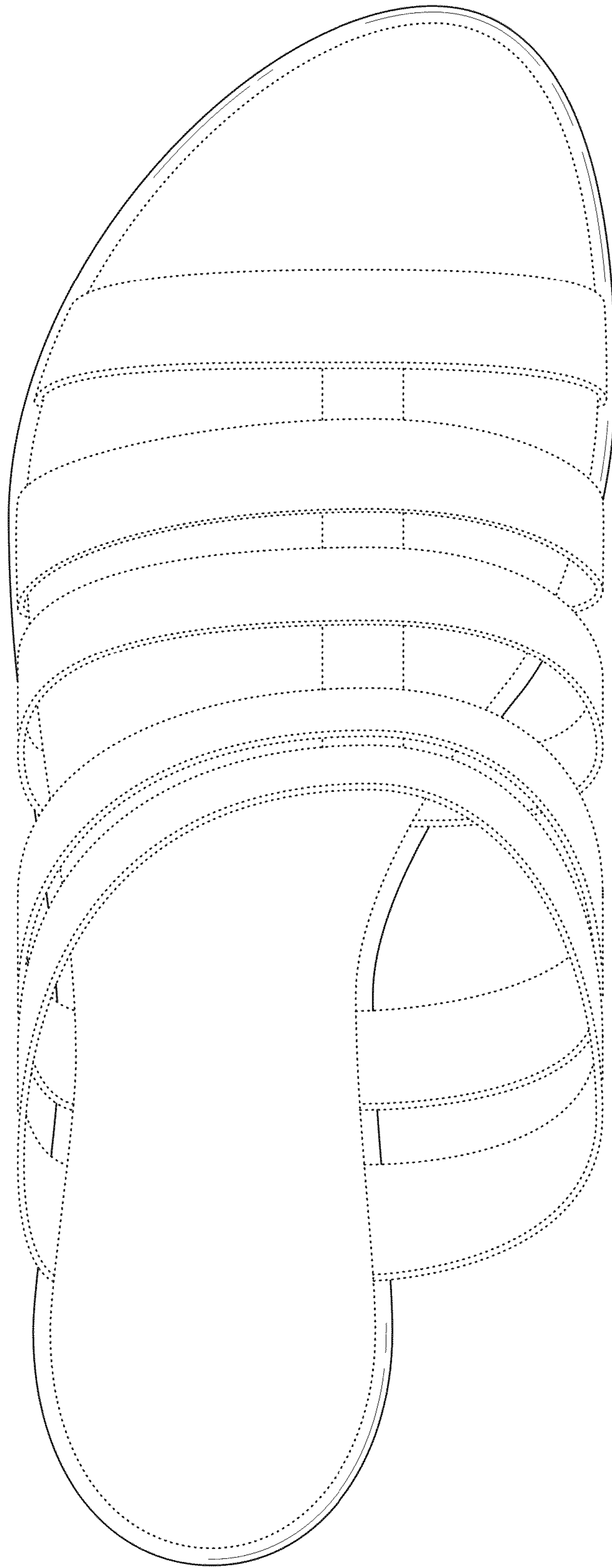


FIG. 3

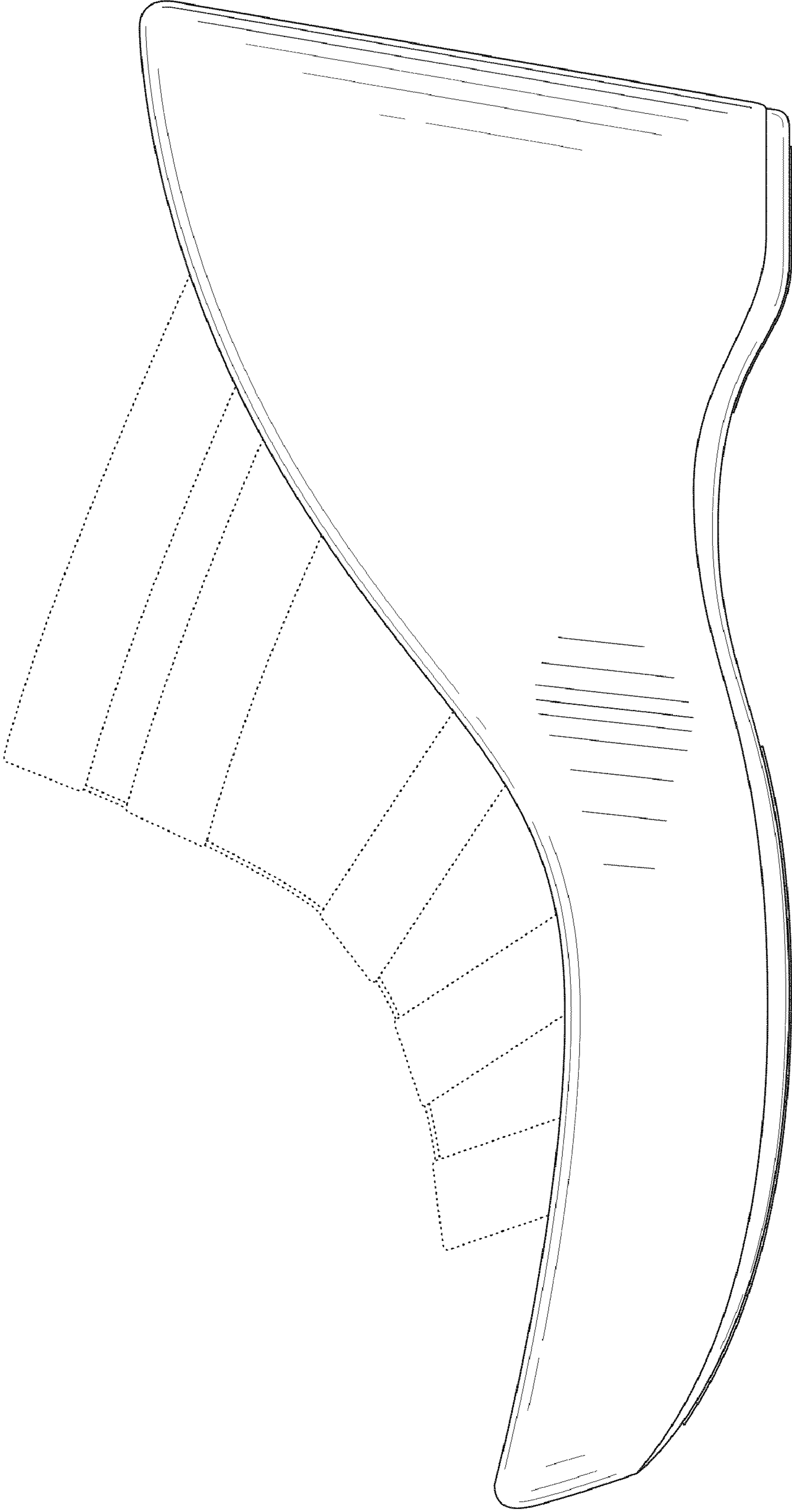


FIG. 4

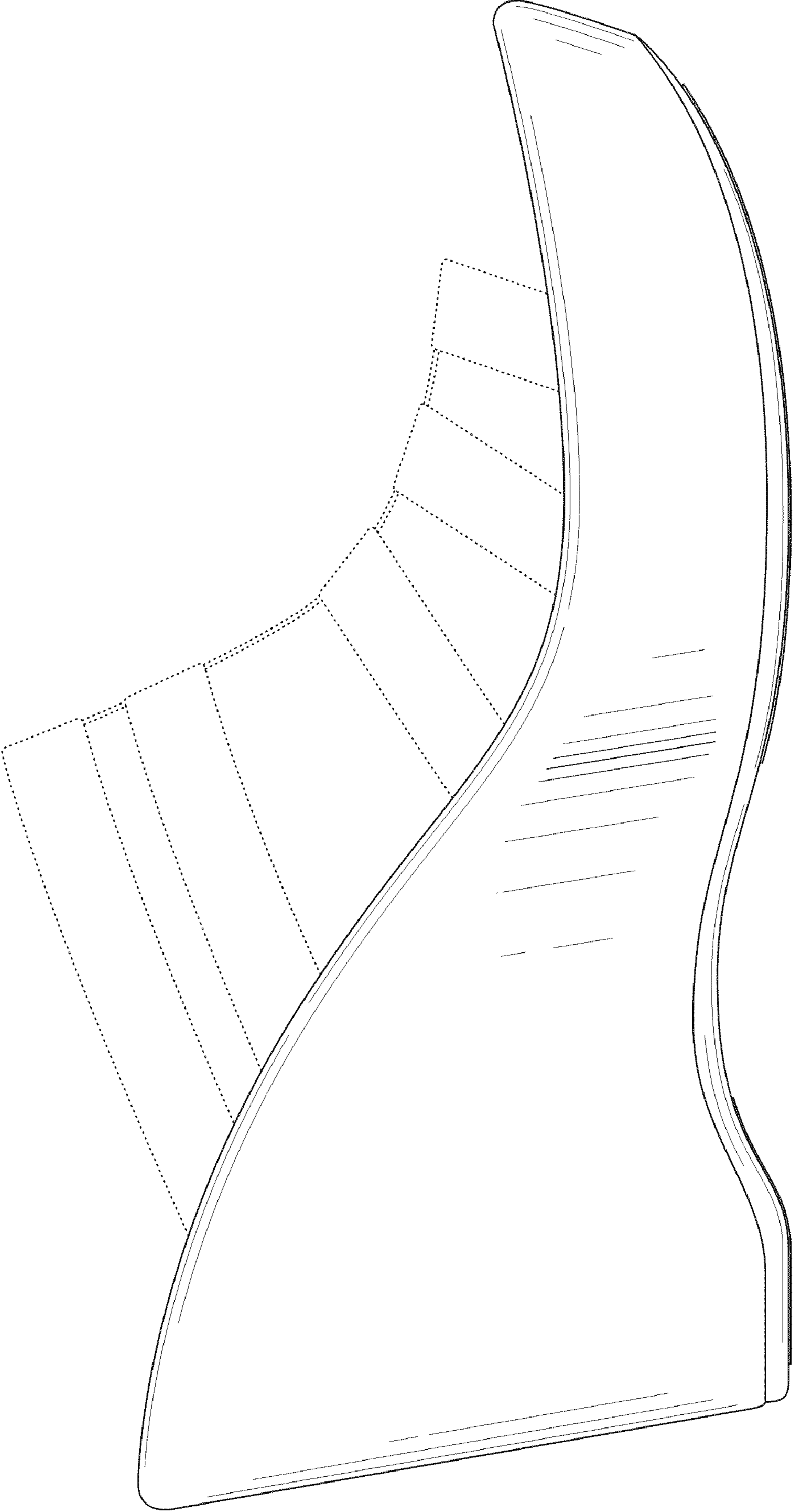
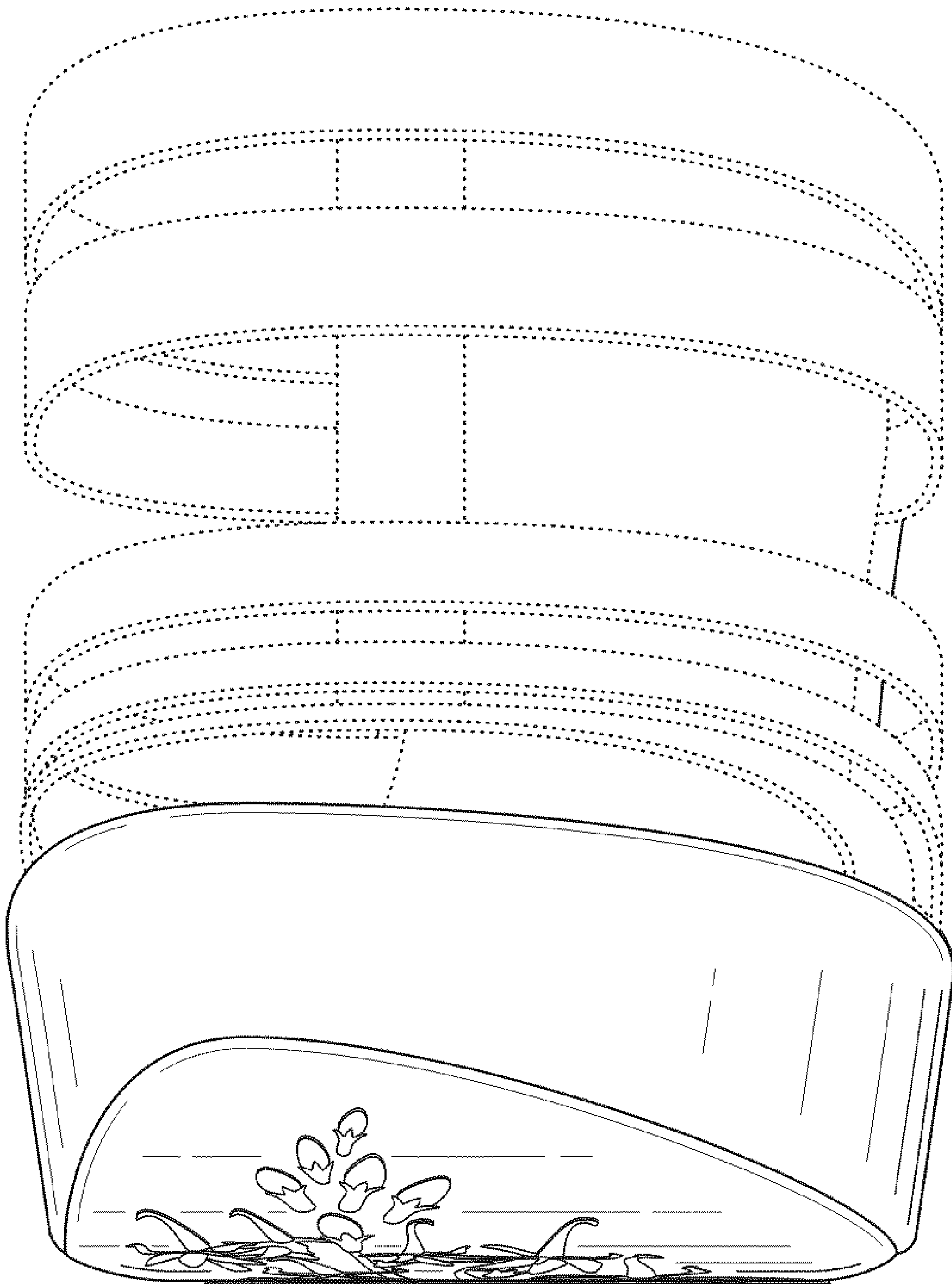
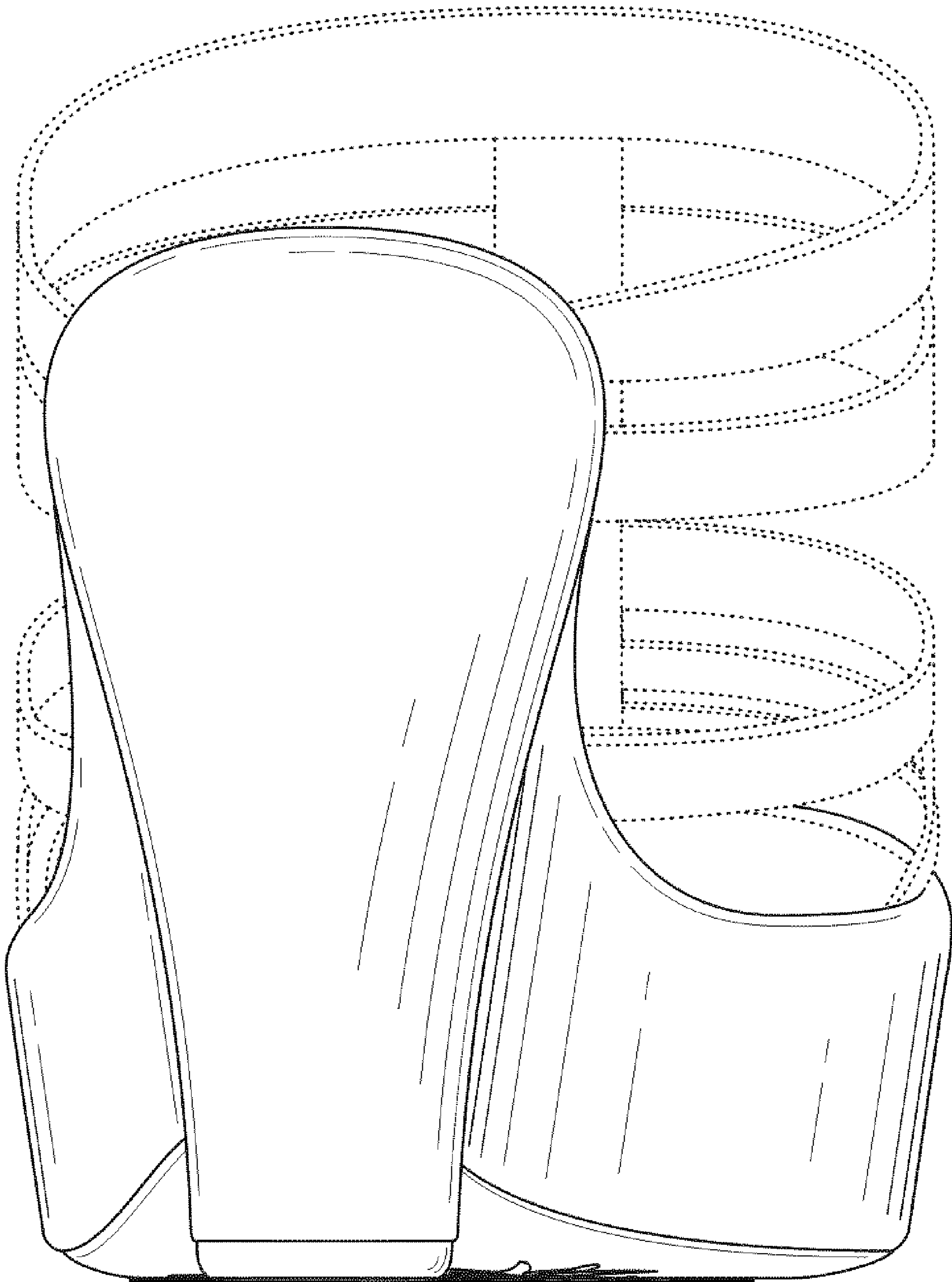


FIG. 5



**FIG. 6**



**FIG. 7**