



US00D625484S

(12) **United States Design Patent**
Savard et al.

(10) **Patent No.:** **US D625,484 S**
(45) **Date of Patent:** **** Oct. 12, 2010**

(54) **PLATFORM**

(75) Inventors: **Gilles Savard**, Saguenay (CA); **Nicolas Gaudreault**, Chicoutimi (CA); **Pierre Gagnon**, La Baie (CA)

(73) Assignee: **Conception GSR Inc.**, Jonquiere (Quebec) (CA)

(**) Term: **14 Years**

(21) Appl. No.: **29/350,442**

(22) Filed: **Nov. 17, 2009**

(30) **Foreign Application Priority Data**

Jun. 1, 2009 (CA) 130909

(51) **LOC (9) Cl.** **12-05**

(52) **U.S. Cl.** **D34/37**

(58) **Field of Classification Search** D34/36,
D34/37, 33; 212/223, 255, 224, 264, 253,
212/180, 182, 301, 231; 182/2.11, 2.1, 141,
182/148, 127, 119

See application file for complete search history.

(56) **References Cited**

U.S. PATENT DOCUMENTS

D157,942 S * 4/1950 Collin D34/37
D180,330 S * 5/1957 Holan D34/37
D189,182 S * 11/1960 Holan D34/37
3,516,514 A * 6/1970 Dold et al. 182/46

D226,559 S * 3/1973 Sutphen D34/37
4,754,840 A * 7/1988 MacDonald et al. 182/2.3
5,722,505 A * 3/1998 Grabner et al. 182/148
5,944,138 A * 8/1999 Vollmer et al. 182/2.1

* cited by examiner

Primary Examiner—Cynthia E Ramirez

(74) *Attorney, Agent, or Firm*—Sutherland Asbill & Brennan LLP

(57) **CLAIM**

The ornamental design for a platform, as shown and described.

DESCRIPTION

FIG. 1 is a perspective view of a platform showing our new design;

FIG. 2 is a left side view thereof, the right side view being a mirror image of the left side view;

FIG. 3 is a front view thereof;

FIG. 4 is a rear view thereof;

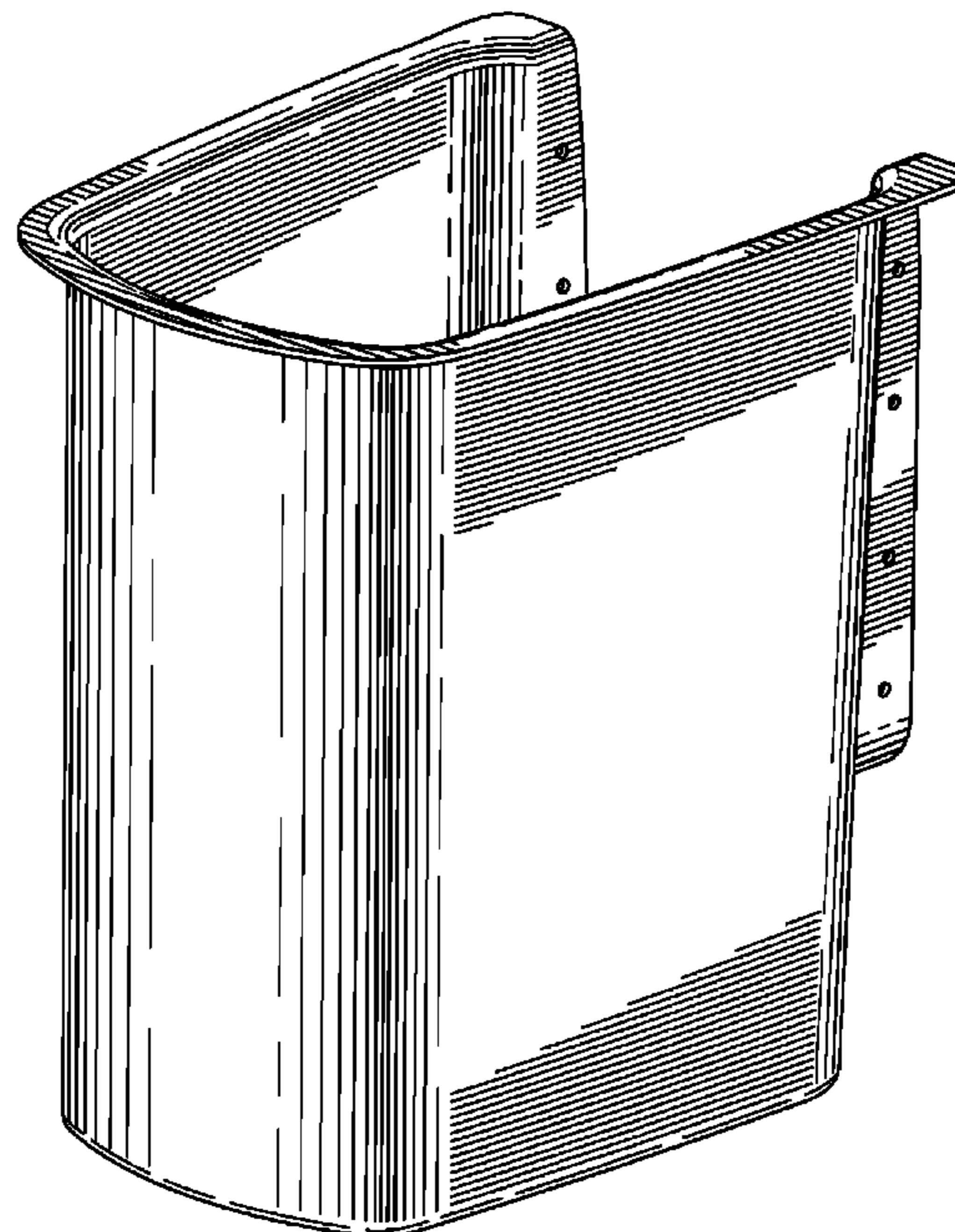
FIG. 5 is a top view thereof;

FIG. 6 is a bottom view thereof; and,

FIG. 7 is a side view of the platform in its environment.

The dashed line showing of structural lines is included for the purpose of illustrating non-claimed subject matter and forms no part of the claimed design.

1 Claim, 4 Drawing Sheets



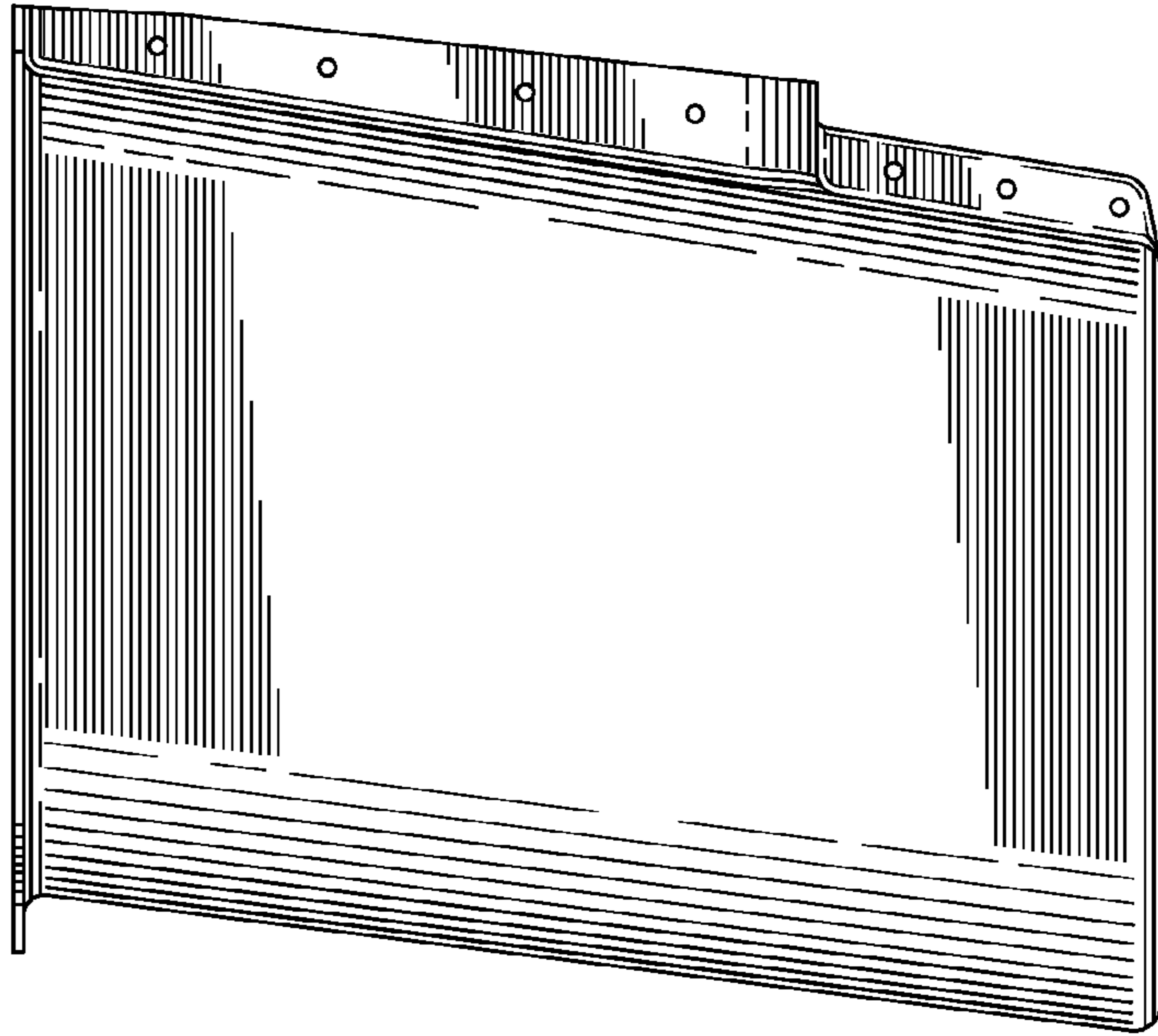


FIG. 2

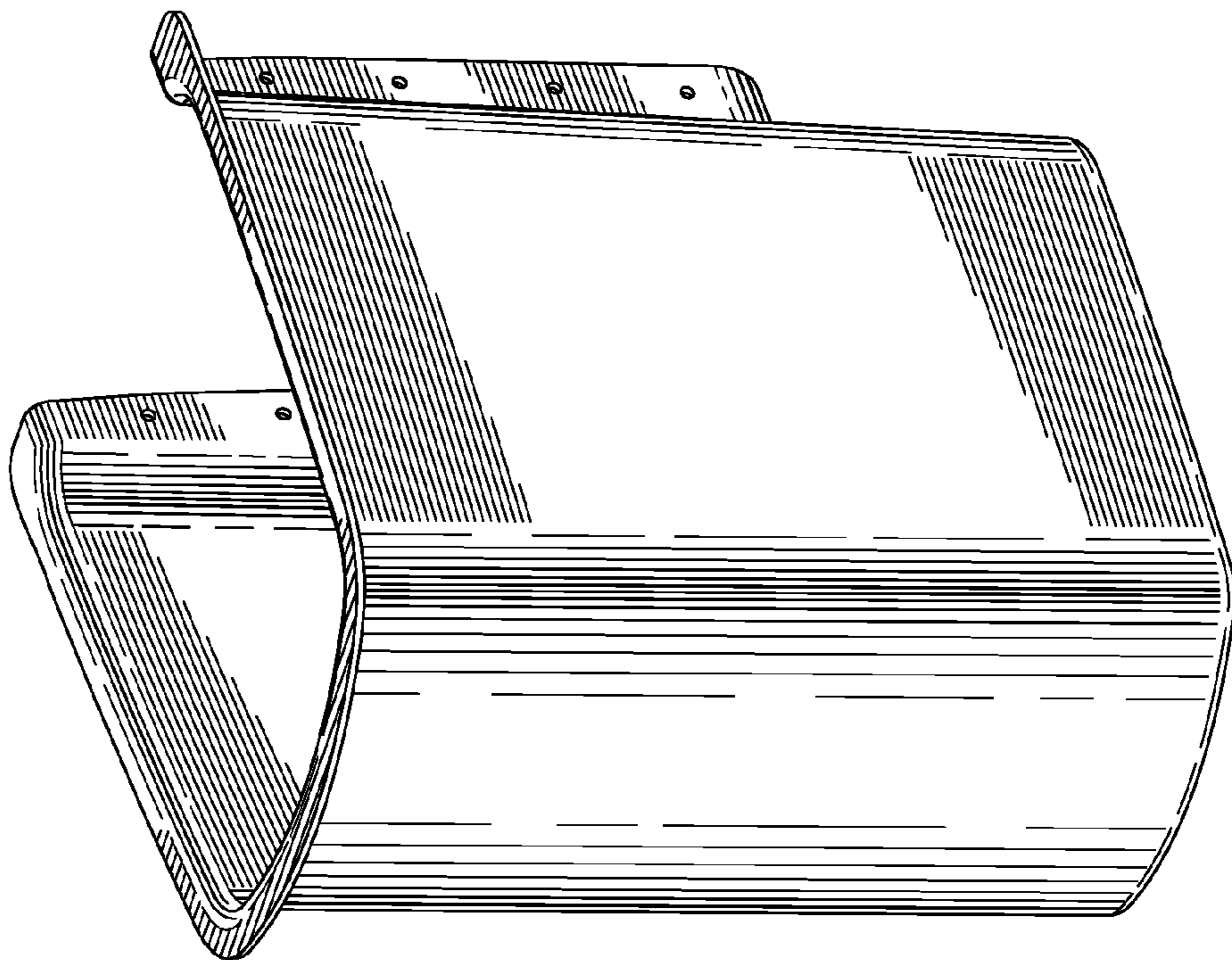


FIG. 1

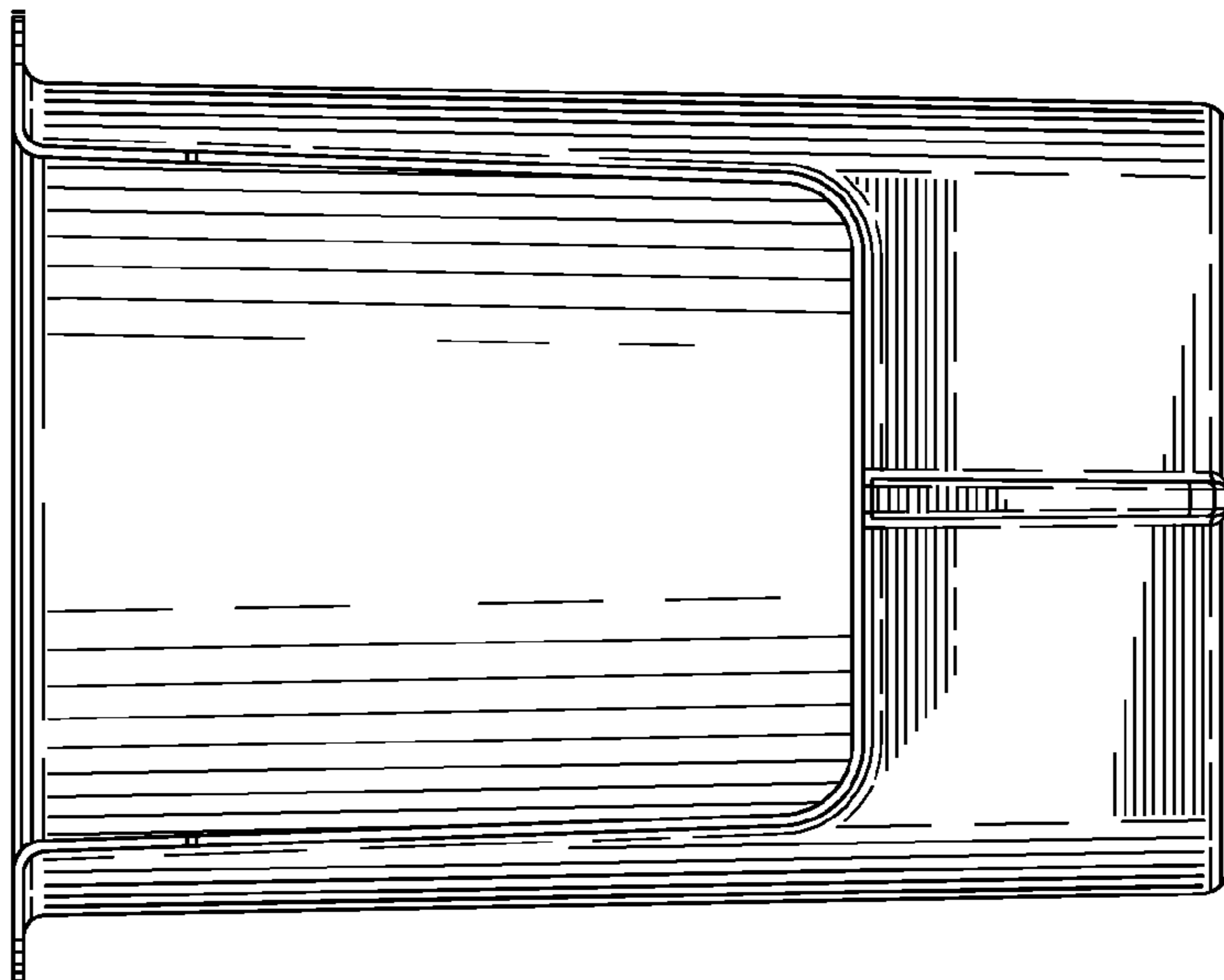


FIG. 4

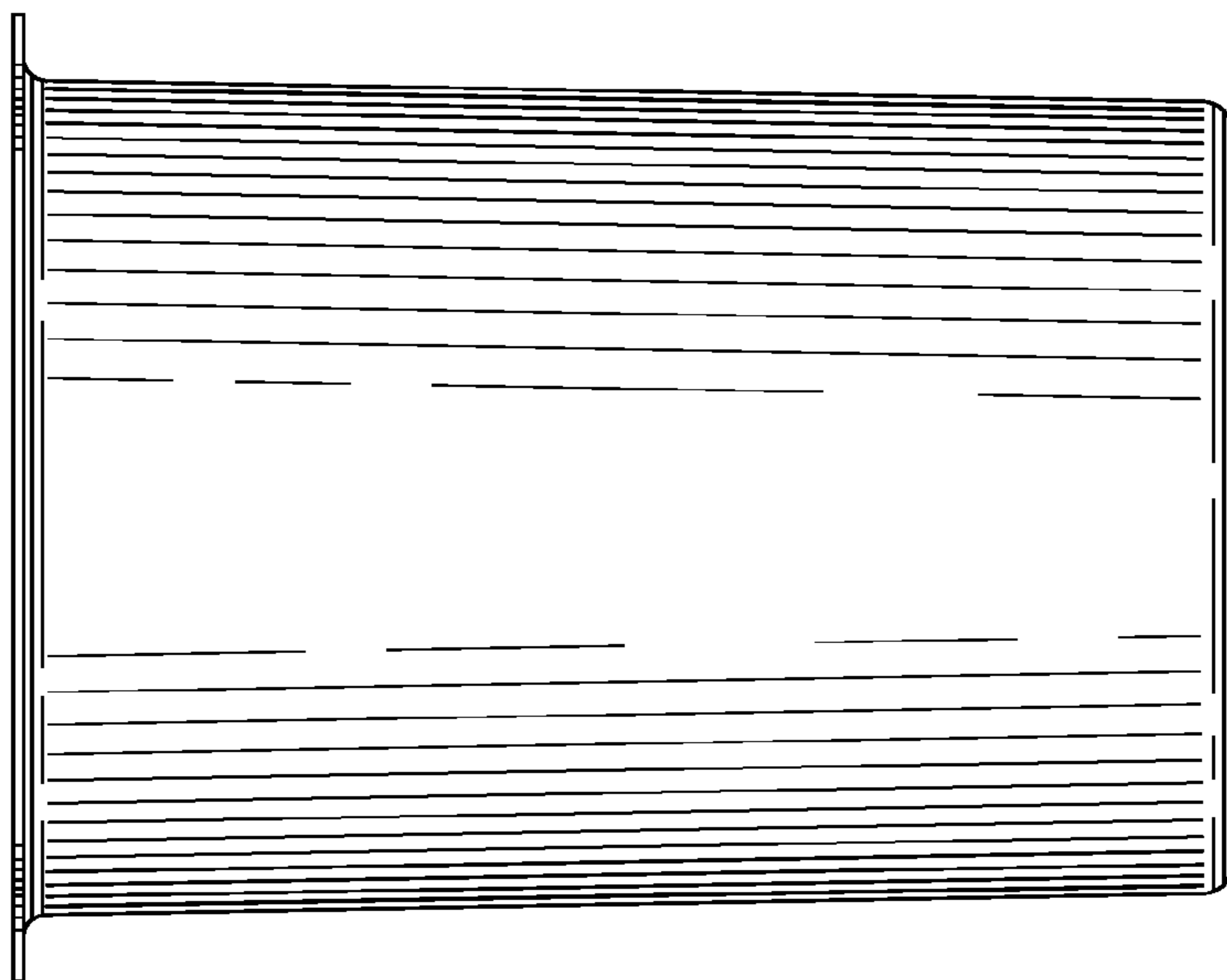


FIG. 3

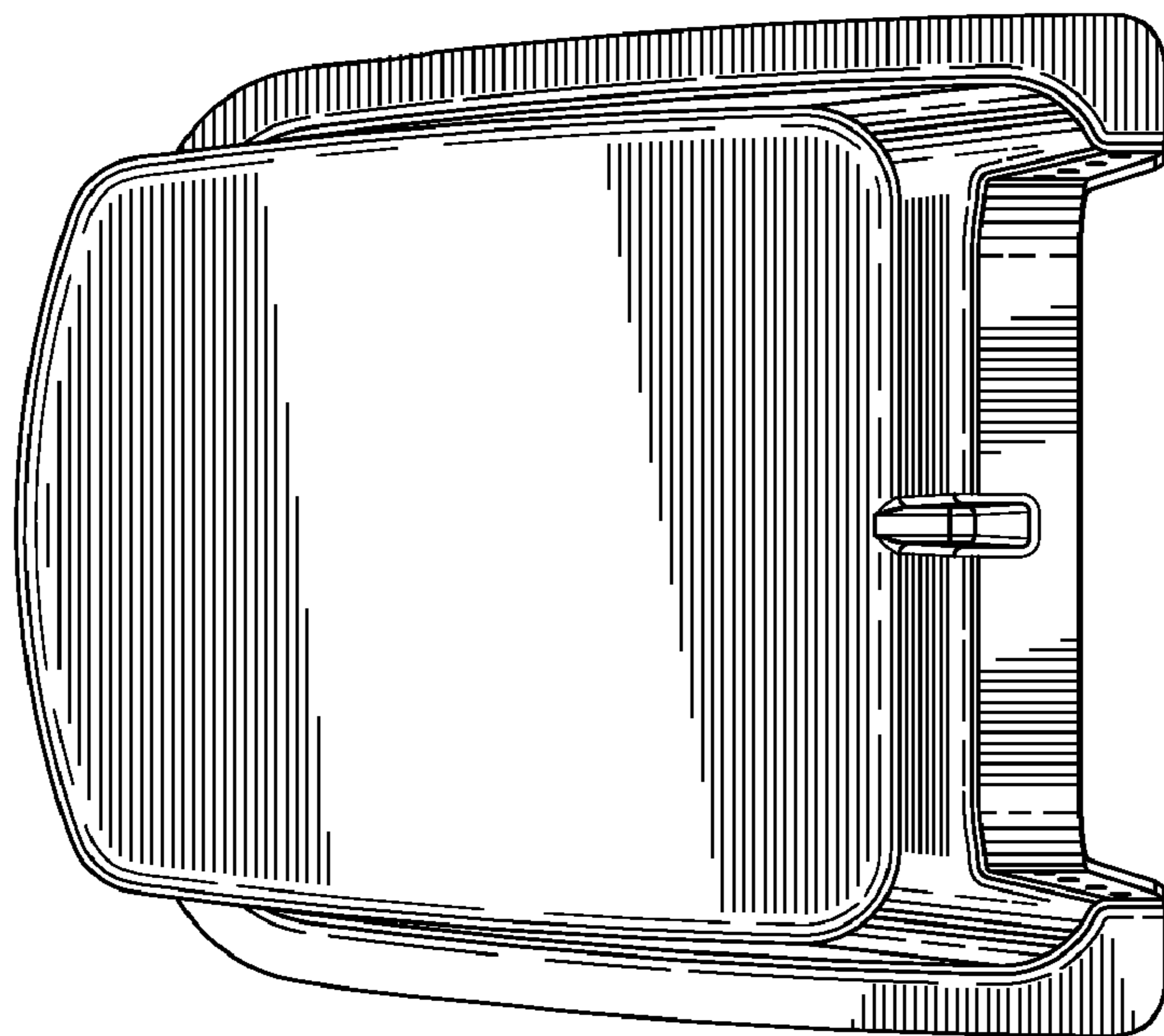


FIG. 4

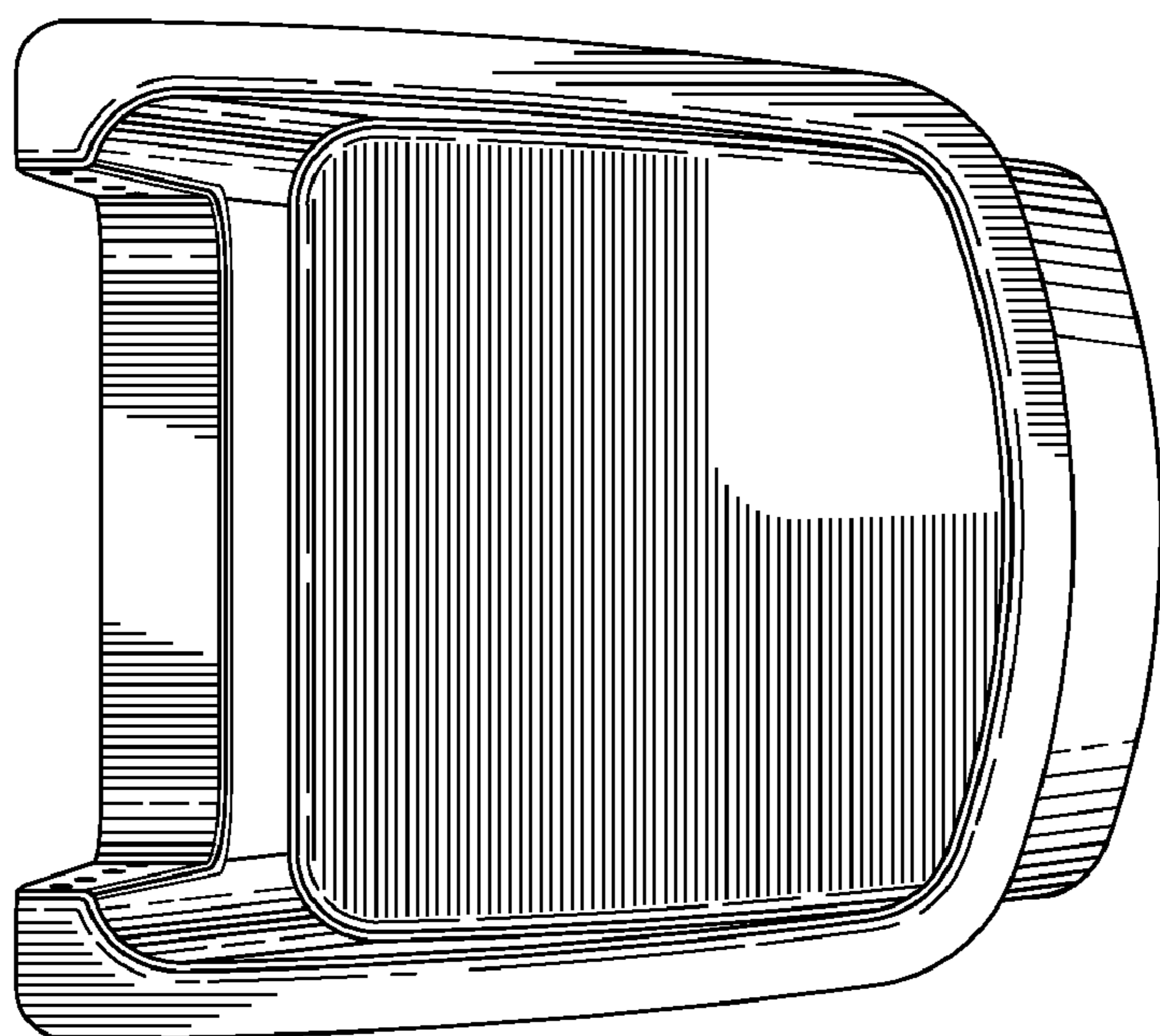


FIG. 5

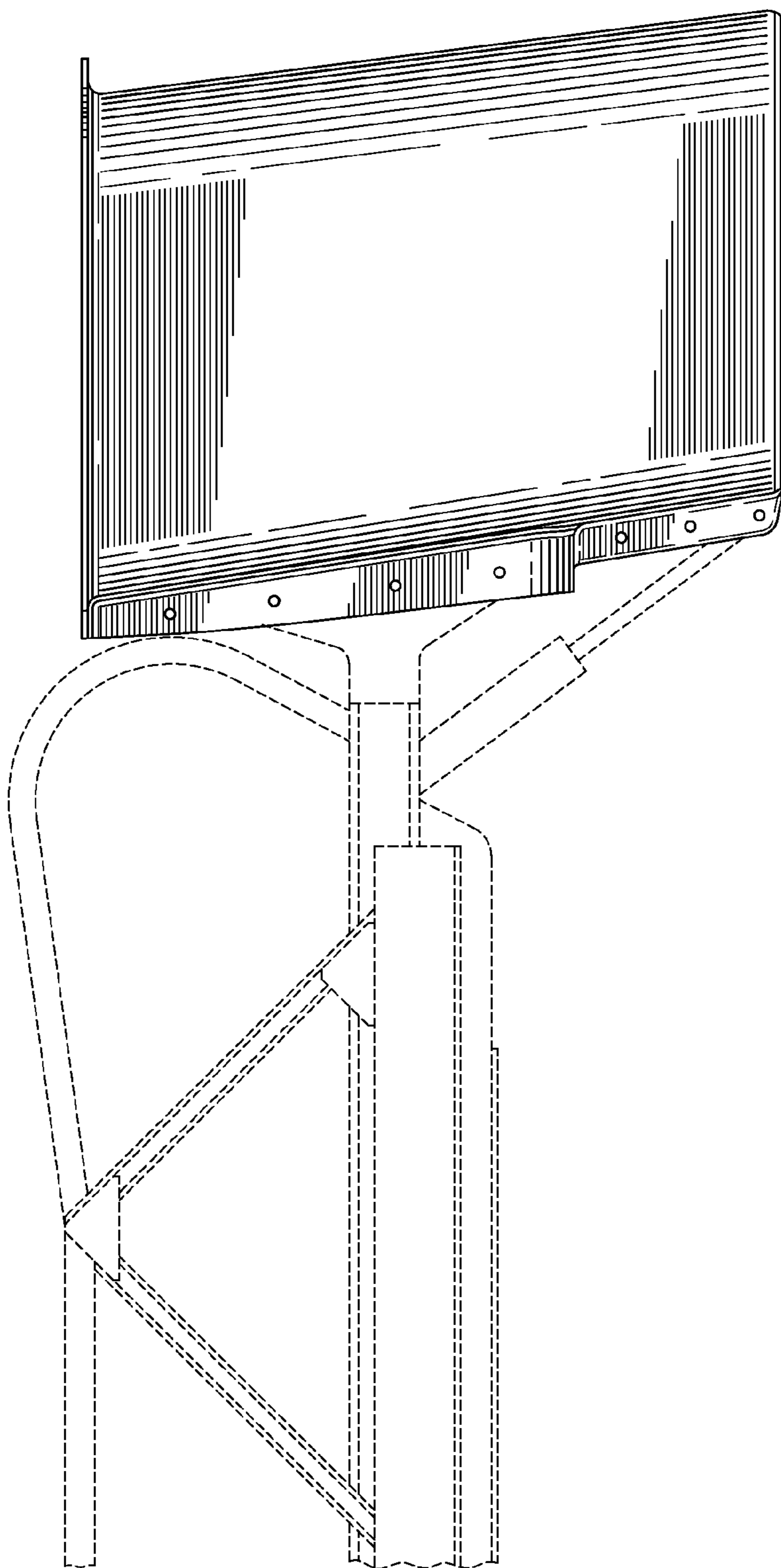


FIG. 7