



US00D625475S

(12) **United States Design Patent**
Kim et al.

(10) **Patent No.:** **US D625,475 S**

(45) **Date of Patent:** **** Oct. 12, 2010**

(54) **CONTROL PANEL FOR DISHWASHER**

(75) Inventors: **Tae Youn Kim**, Kyungki-do (KR);
Jeong Min Kim, Seoul (KR); **Sun Soo Shin**, Kyungki-do (KR)

(73) Assignee: **Samsung Electronics Co., Ltd.**, Suwon (KR)

(**) Term: **14 Years**

(21) Appl. No.: **29/355,244**

(22) Filed: **Feb. 4, 2010**

(51) **LOC (9) Cl.** **15-06**

(52) **U.S. Cl.** **D32/3**

(58) **Field of Classification Search** D32/1,
D32/2, 3, 25, 28; 134/56 D, 57 D, 58 D,
134/58 DL, 113, 201; D7/340, 348, 349,
D7/350, 351, 405

See application file for complete search history.

(56) **References Cited**

U.S. PATENT DOCUMENTS

D530,048 S * 10/2006 Knochner D32/3

D618,403 S * 6/2010 Kaczmarek D32/3

D618,404 S * 6/2010 Jenkins et al. D32/3

D618,405 S * 6/2010 Ott D32/3

* cited by examiner

Primary Examiner—T. Chase Nelson

Assistant Examiner—Kathleen M Sims

(74) *Attorney, Agent, or Firm*—Ladas & Paqrry

(57) **CLAIM**

We claim the ornamental design for control panel for dishwasher, as shown.

DESCRIPTION

FIG. 1 is a front/right-side/top perspective view of a control panel for dishwasher showing our new design;

FIG. 2 is a front-side elevational view thereof;

FIG. 3 is a rear-side elevational view thereof;

FIG. 4 is a left-side elevational view thereof;

FIG. 5 is a right-side elevational view thereof;

FIG. 6 is a top-side elevational view thereof; and,

FIG. 7 is a bottom-side elevational view thereof.

1 Claim, 3 Drawing Sheets

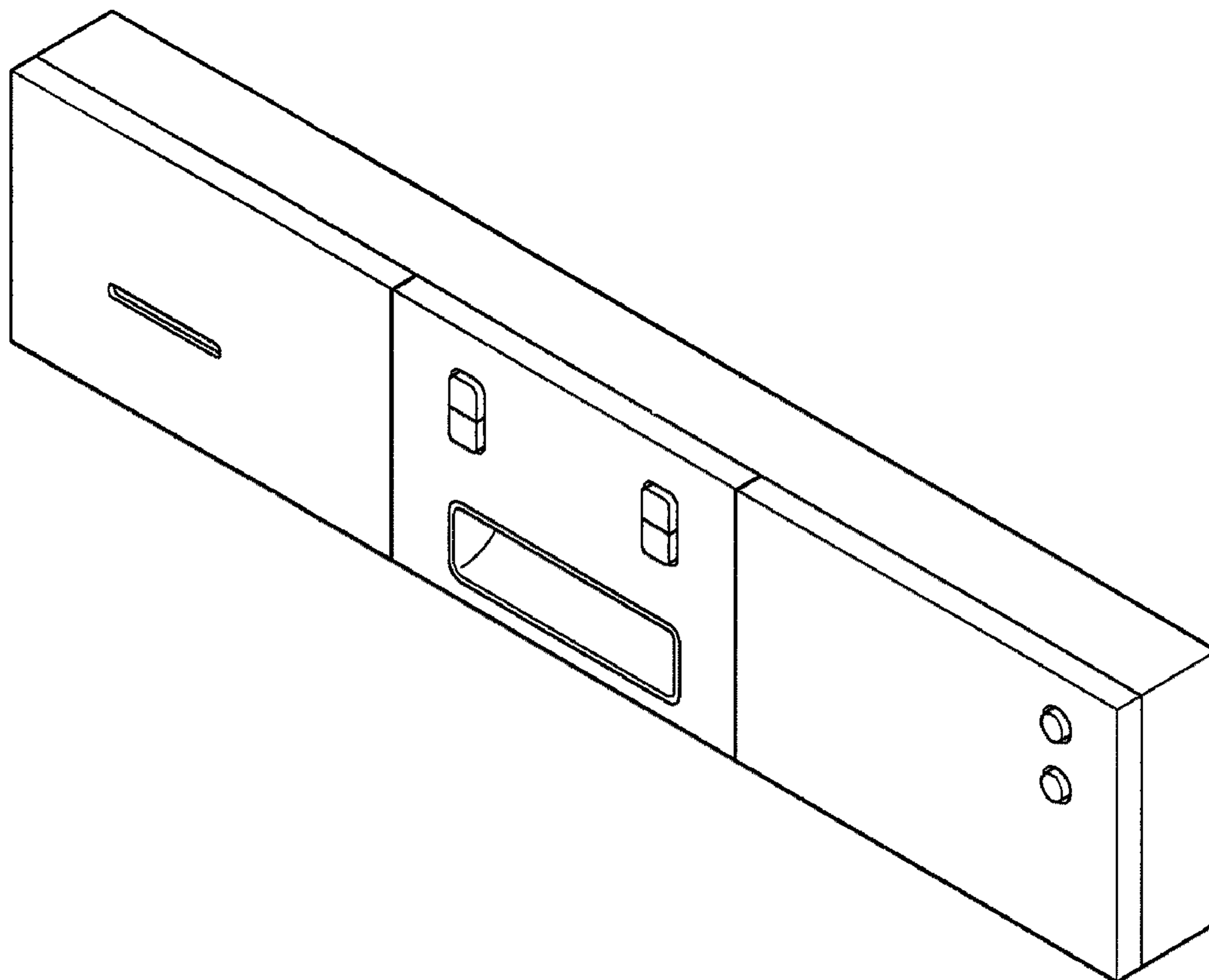


FIG. 1

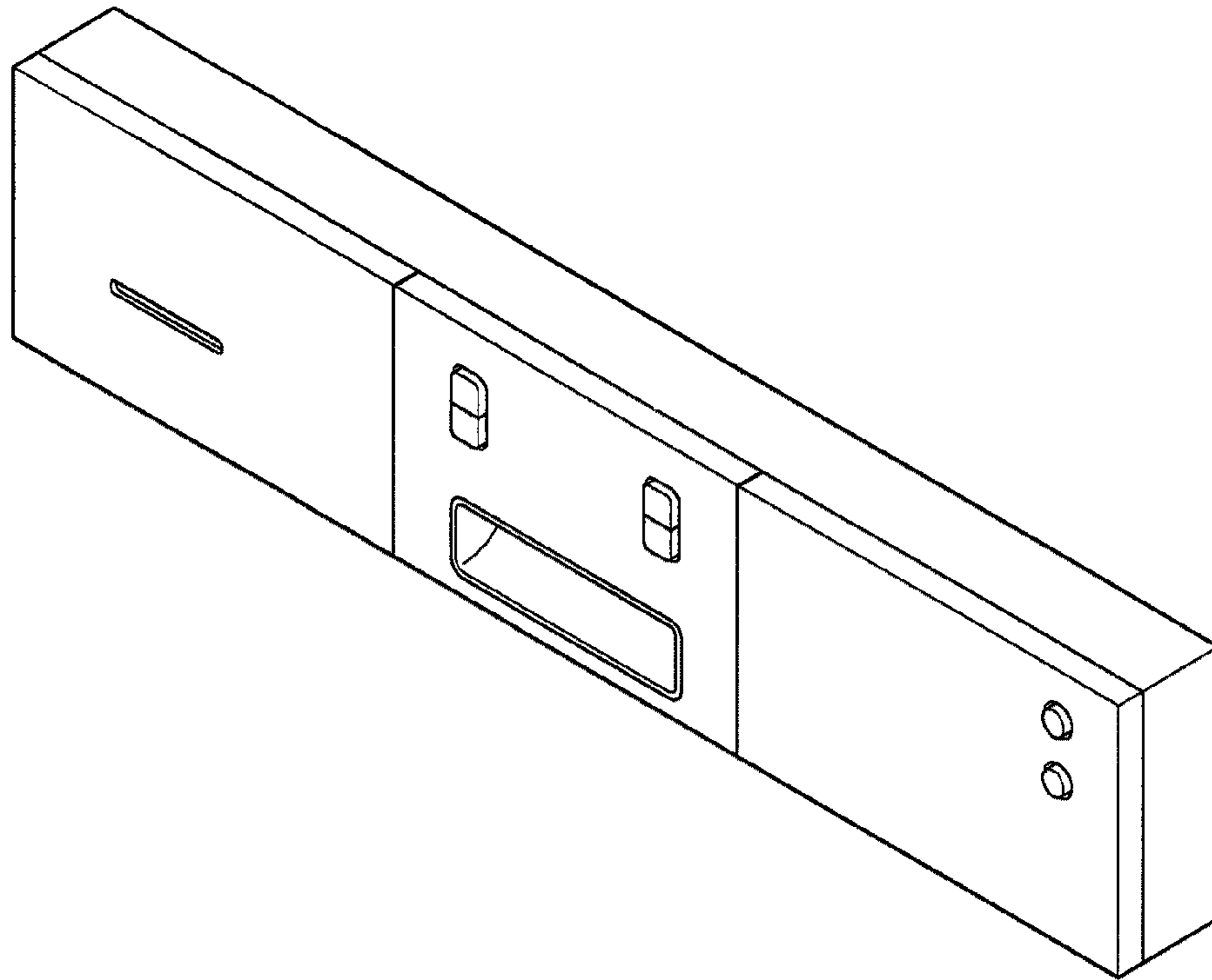


FIG. 2

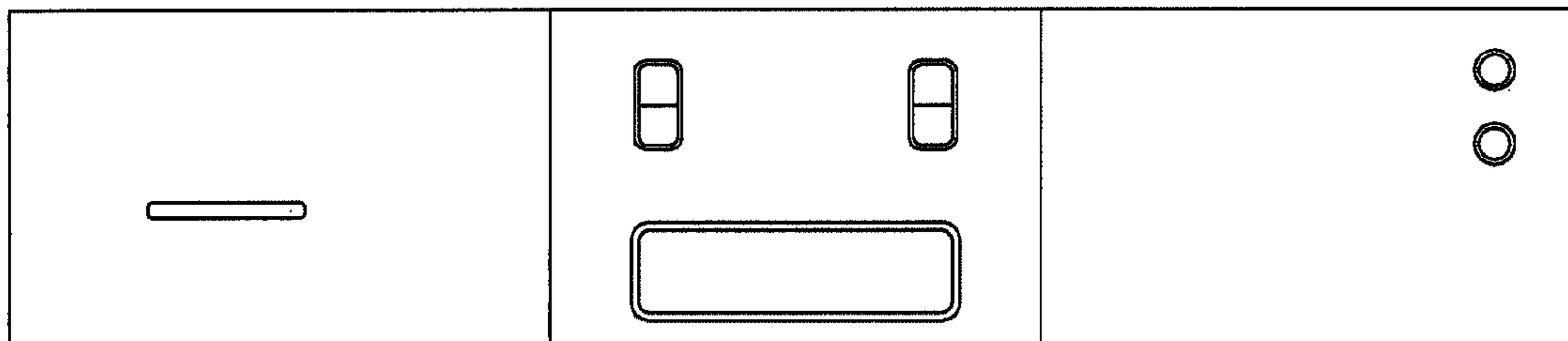


FIG. 3

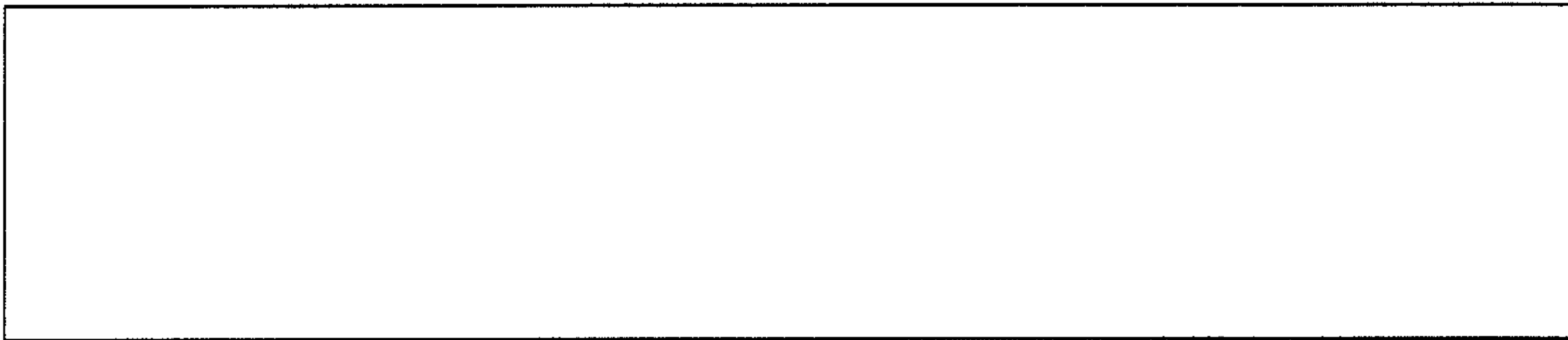


FIG. 4

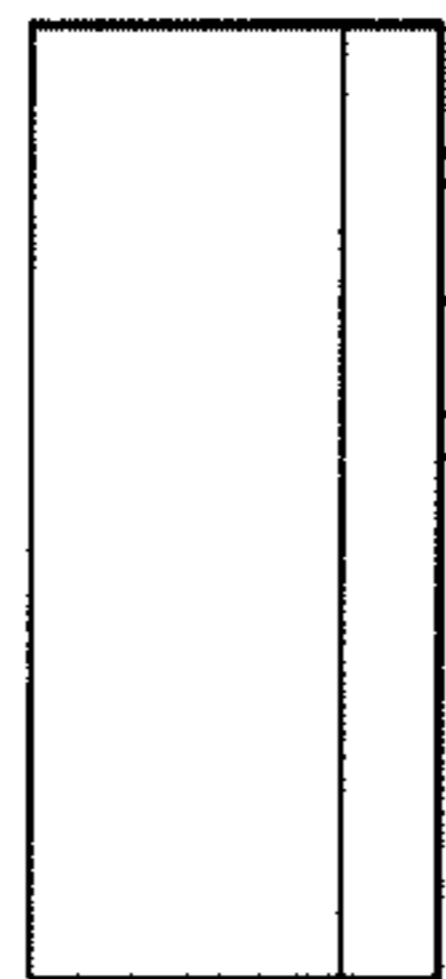


FIG. 5



FIG. 6

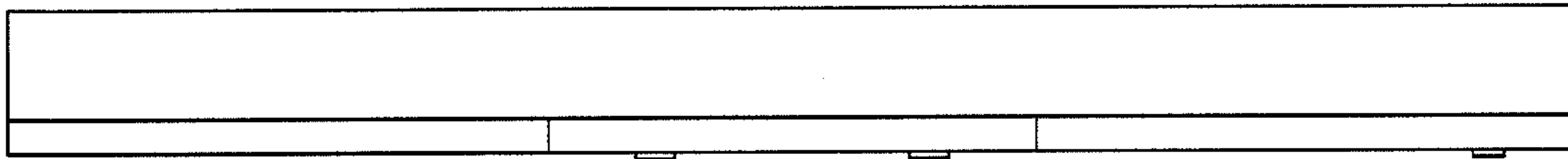


FIG. 7

