



US00D625472S

(12) **United States Design Patent**
Matz et al.

(10) **Patent No.:** **US D625,472 S**
(45) **Date of Patent:** **** Oct. 12, 2010**

(54) **GROOMING TOOL**

(75) Inventors: **Andrea Matz**, Stanhope, NJ (US); **Ryan Rutherford**, Belleville, NJ (US); **Jonathan Willinger**, Tenefly, NJ (US)

(73) Assignee: **J.W. Pet Company, Inc.**, Teterboro, NJ (US)

(**) Term: **14 Years**

(21) Appl. No.: **29/358,392**

(22) Filed: **Mar. 26, 2010**

Related U.S. Application Data

(62) Division of application No. 29/333,964, filed on Mar. 18, 2009, now Pat. No. Des. 615,714.

(51) **LOC (9) Cl.** **30-99**

(52) **U.S. Cl.** **D30/158**

(58) **Field of Classification Search** D30/158-159, D30/199; 119/600, 601, 604-606, 611-619, 119/625, 628-633, 624; D4/132-138, 100-102, D4/122, 127, 119, 114, 199, 118, 121, 159, D4/129, 130, 116, 18, 117, 120; D8/106, D8/107, 13, 45, 80; 401/28, 201, 6, 284, 401/279, 288, 22, 140, 207, 149, 281, 136, 401/137, 188 R, 189, 190, 268, 270, 278; 132/119-121, 152, 154, 147-150, 108-110, 132/112-115, 160; D28/31, 63, 30, 25, 21, D28/7, 34; 15/50.1-50.3, 55, 57, 71, 77, 15/79.1, 104.002, 105-106, 143.1, 159.1, 15/160, 186-188, 169, 145, 114, 231, 172, 15/1.52, 207.2, 29, 229.13, 111, 118, 109.94, 15/164, 209.1, 211, 236.06, 236.01, 236.05, 15/210.1, 229.11, 244.3, 191.1; 56/400.01, 56/400.17, 400.21; 81/177.7, 489, 177.1, 81/436-440, 849; 16/426, 421, 422, 438, 16/110.1, 430, DIG. 12, DIG. 19; 30/353; 19/98; 294/104, 19.1, 3; 601/138, 114, 17, 601/160, 112, 154, 137; 604/289; D24/215, D24/214, 206; D32/40, 42, 45, 35, 41

See application file for complete search history.

(56) **References Cited**

U.S. PATENT DOCUMENTS

238,297 A	3/1881	Lawrence	
D20,486 S	1/1891	Thompson	
487,580 A	12/1892	Neuls	
1,852,362 A	4/1932	Newby	
2,150,260 A	3/1939	Berry	
D114,197 S	4/1939	Muller-Munk	
D142,930 S *	11/1945	Adler	D28/31
D152,375 S *	1/1949	Seley	D32/41
2,482,120 A	9/1949	Mishkinis	

(Continued)

OTHER PUBLICATIONS

UPCO Catalogue Fall 2005, p. 36 "Undercoat Rakes". 1 page.*

(Continued)

Primary Examiner—Susan Moon Lee
(74) *Attorney, Agent, or Firm*—Katten Muchin Rosenman LLP

(57) **CLAIM**

We claim the ornamental design for a grooming tool, as shown and described.

DESCRIPTION

FIG. 1 is a perspective view of a grooming tool;

FIG. 2 is a front view thereof;

FIG. 3 is a rear view thereof;

FIG. 4 is a left side view thereof;

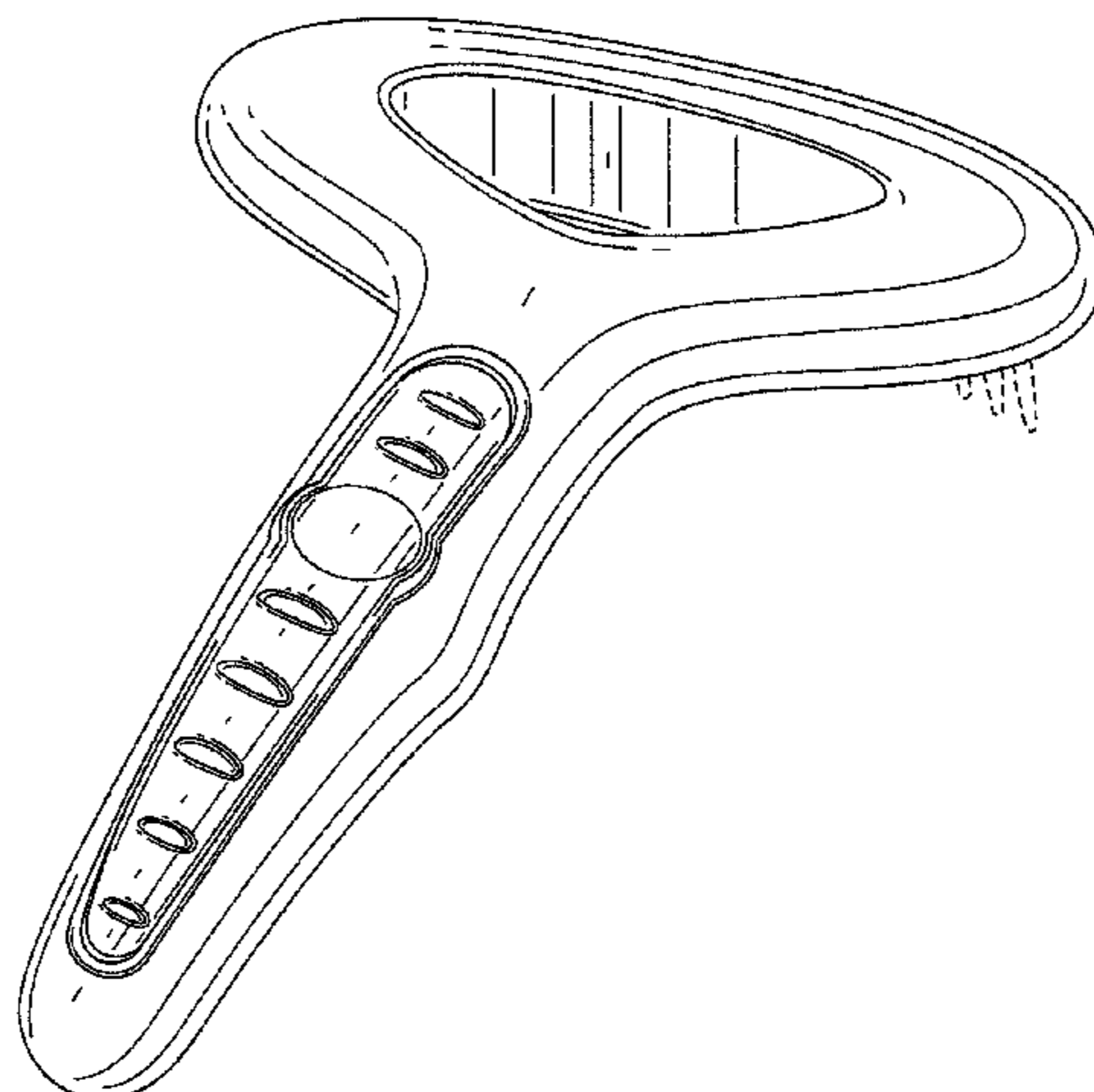
FIG. 5 is a right side view thereof;

FIG. 6 is a top view thereof; and,

FIG. 7 is a bottom view thereof.

The portions shown in broken line are not claimed.

1 Claim, 5 Drawing Sheets



U.S. PATENT DOCUMENTS

D168,915 S * 2/1953 Snyder D4/136
 2,630,594 A 3/1953 Fisher
 2,633,591 A 4/1953 Servilla
 2,918,686 A 12/1959 Rowland
 3,010,131 A 11/1961 Kisky
 D199,718 S * 12/1964 Adler D28/31
 3,421,171 A 1/1969 Teruya
 3,474,481 A 10/1969 Soleymani et al.
 3,491,777 A 1/1970 Grosbard
 D222,792 S 12/1971 Krusche et al.
 D235,170 S 5/1975 McNair
 4,098,266 A 7/1978 Muchisky et al.
 4,244,075 A 1/1981 Silver
 4,417,826 A 11/1983 Floros
 4,508,108 A 4/1985 Miyaoka
 4,720,883 A 1/1988 Sanchez
 4,826,340 A 5/1989 Rothweiler et al.
 4,841,590 A 6/1989 Terry et al.
 4,927,283 A 5/1990 Fitjer
 D309,984 S 8/1990 Gingras
 4,974,286 A 12/1990 Stowell et al.
 4,998,836 A 3/1991 Scripnick
 5,067,444 A 11/1991 Parker
 D324,914 S 3/1992 Bucher
 D331,288 S 11/1992 Yuen
 D334,430 S 3/1993 Tsou
 D335,171 S 4/1993 Lenci et al.
 5,267,528 A * 12/1993 Murieen, Sr. 119/628
 5,305,490 A 4/1994 Lundgren
 5,322,382 A 6/1994 Hull et al.
 5,385,532 A 1/1995 Shyu
 5,388,700 A 2/1995 Per-Lee
 5,392,483 A 2/1995 Heinzelman et al.
 5,398,369 A 3/1995 Heinzelman et al.
 D357,810 S 5/1995 Evans
 5,421,765 A 6/1995 Lehmann et al.
 5,435,039 A 7/1995 Taylor
 5,454,659 A 10/1995 Vosbikian et al.
 5,465,449 A 11/1995 Lewkowicz
 D367,176 S 2/1996 Berti
 5,503,109 A 4/1996 Sporn
 D369,882 S 5/1996 McCarthy
 D371,219 S 6/1996 Bouchez
 D373,904 S 9/1996 Vanderhoef et al.
 D381,771 S 7/1997 Chern
 5,673,455 A 10/1997 Per-Lee et al.
 D388,535 S 12/1997 Per-Lee
 5,819,758 A 10/1998 Sohler
 5,823,145 A 10/1998 Hingiss
 5,864,915 A 2/1999 Ra
 D410,789 S 6/1999 Cheng
 D424,747 S 5/2000 Chen
 D426,916 S 6/2000 Ebert
 D426,924 S * 6/2000 Joiner et al. D32/35
 D437,487 S 2/2001 Chen
 D437,690 S 2/2001 Stevenson et al.
 6,213,055 B1 4/2001 Willinger et al.
 6,250,833 B1 6/2001 Perry et al.
 D444,925 S 7/2001 Monette
 6,279,582 B1 * 8/2001 Wang 132/154
 D448,114 S 9/2001 Faust et al.
 D452,044 S 12/2001 Goetschi
 D453,420 S 2/2002 Offer et al.
 6,425,701 B1 7/2002 Jacobs
 D461,279 S 8/2002 Angeletta

6,450,127 B2 9/2002 Willinger et al.
 D465,930 S 11/2002 Offer et al.
 D468,109 S 1/2003 Plante et al.
 D473,343 S 4/2003 Carruba et al.
 D473,682 S 4/2003 Plante et al.
 6,543,388 B2 4/2003 Willinger et al.
 6,543,954 B2 4/2003 Owings
 D480,215 S 10/2003 Mastroianni
 6,637,441 B2 10/2003 Kennedy et al.
 D484,314 S 12/2003 DiGioia
 D485,990 S 2/2004 Wallace
 D491,310 S 6/2004 Glucksman et al.
 D492,119 S 6/2004 Hay
 D493,569 S 7/2004 Angeletta
 D497,450 S 10/2004 Scofield
 D501,607 S 2/2005 Hay et al.
 D502,568 S 3/2005 Longoria
 D504,234 S 4/2005 Kuo et al.
 6,955,137 B2 10/2005 Dunn et al.
 D515,737 S 2/2006 Angeletta
 D518,598 S 4/2006 Angeletta
 D518,916 S 4/2006 Angeletta
 D521,242 S 5/2006 Gaiti
 D523,173 S 6/2006 Angeletta
 D524,545 S 7/2006 Hinnant
 D524,547 S 7/2006 Hay
 D525,744 S 7/2006 Dibnah et al.
 D549,411 S 8/2007 McNeeley et al.
 D565,258 S * 3/2008 Porter et al. D30/158
 D565,846 S 4/2008 Holcomb et al.
 D575,528 S 8/2008 Libman et al.
 D591,953 S 5/2009 Krus et al.
 D610,755 S * 2/2010 Lin D30/159
 D610,756 S 2/2010 Lin
 2001/0011528 A1 * 8/2001 Willinger et al. 119/633
 2001/0034920 A1 11/2001 Brown
 2002/0040686 A1 4/2002 Willinger et al.
 2004/0265042 A1 12/2004 Chan et al.
 2005/0092340 A1 5/2005 Rijskamp
 2005/0241594 A1 11/2005 Willinger et al.
 2006/0010625 A1 1/2006 Tapper et al.
 2008/0078333 A1 4/2008 Wang

OTHER PUBLICATIONS

Non-final Office Action dated Apr. 25, 2000 from corresponding U.S. Appl. No. 09/218,252.
 Non-final Office Action dated Sep. 26, 2000 from corresponding U.S. Appl. No. 09/218,252.
 Non-final Office Action dated Jun. 28, 2001 from corresponding U.S. Appl. No. 09/829,261.
 Non-final Office Action dated Jun. 4, 2002 from corresponding U.S. Appl. No. 10/017,514.
 (1) Jeffers Pet Catalogue, Jun. 2005, p. 85 (1 page). (2) Jeffers Pet Catalogue, Jun. 2007, pp. 92, 93, 131 (3 pages).
 (1) Drs. Foster and Smith catalogue, 2002 issue, p. 105 (1 page). (2) Drs Foster and Smith catalogue, Dec. 2005 issue, p. 132 (1 page). (3) Drs. Foster and Smith catalogue, Jul. 2005, p. 102 (1 page).
 (1) Care-a-Lot Pet catalogue, 2002 issue, p. 62 (1 page). (2) Care-a-Lot Pet catalogue, Oct. 2003 issue, p. 62 (1 page).
 UPCO Catalogue, Fall 2005, pp. 34, 37 (2 pages).
 J.B. Wholesale Pet Catalogue, Nov. 2006, p. 81 (1 page).
 Cherrybrook Catalogue, Nov 2006, p. 83 (1page).
 Pet Solutions Catalogue, Sep. 2009, p. 31 (1page).
 Non-Final Office Action dated Oct. 1, 2009 from corresponding U.S. Appl. No. 29/333,964.

* cited by examiner

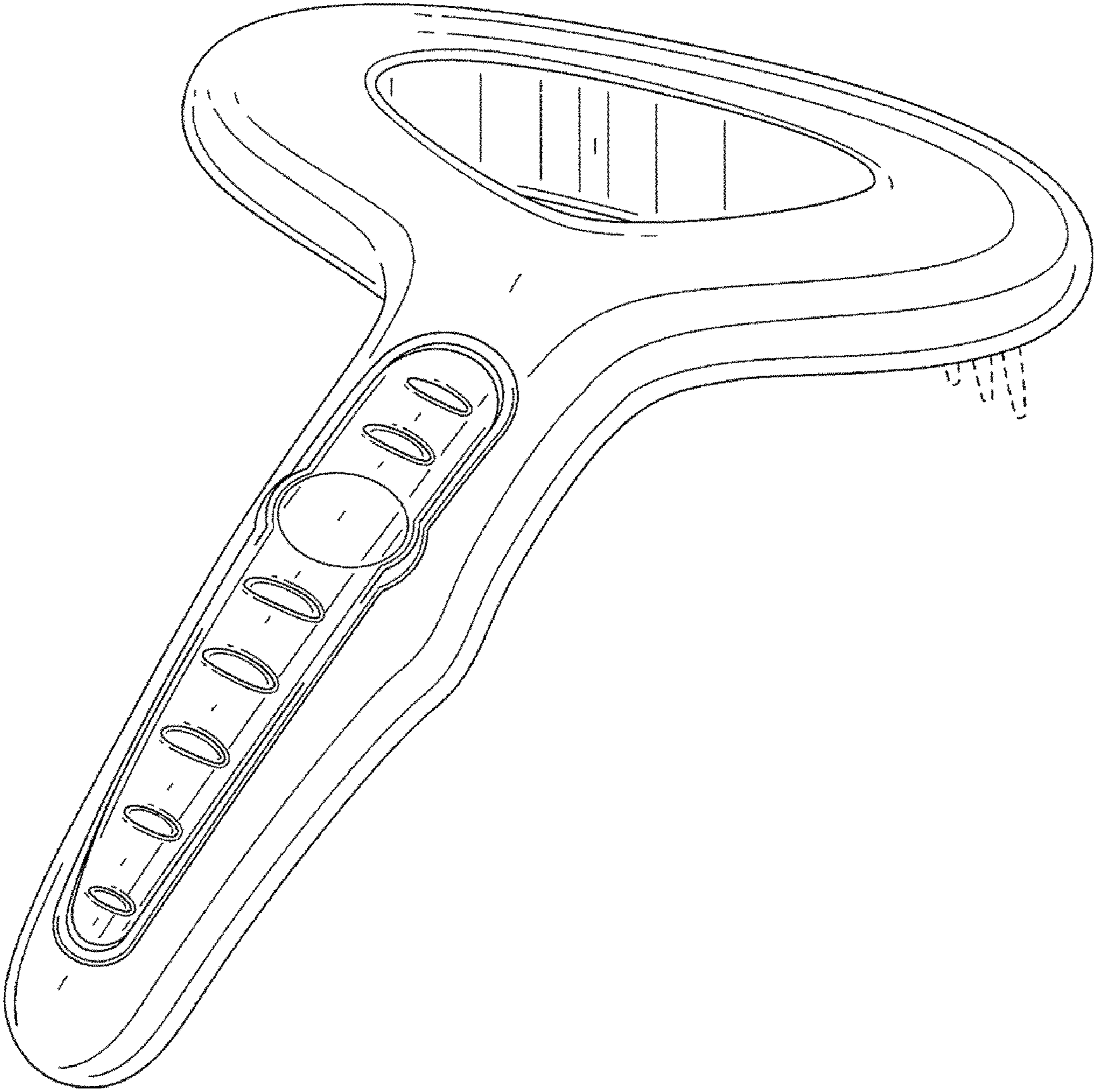


FIG. 1

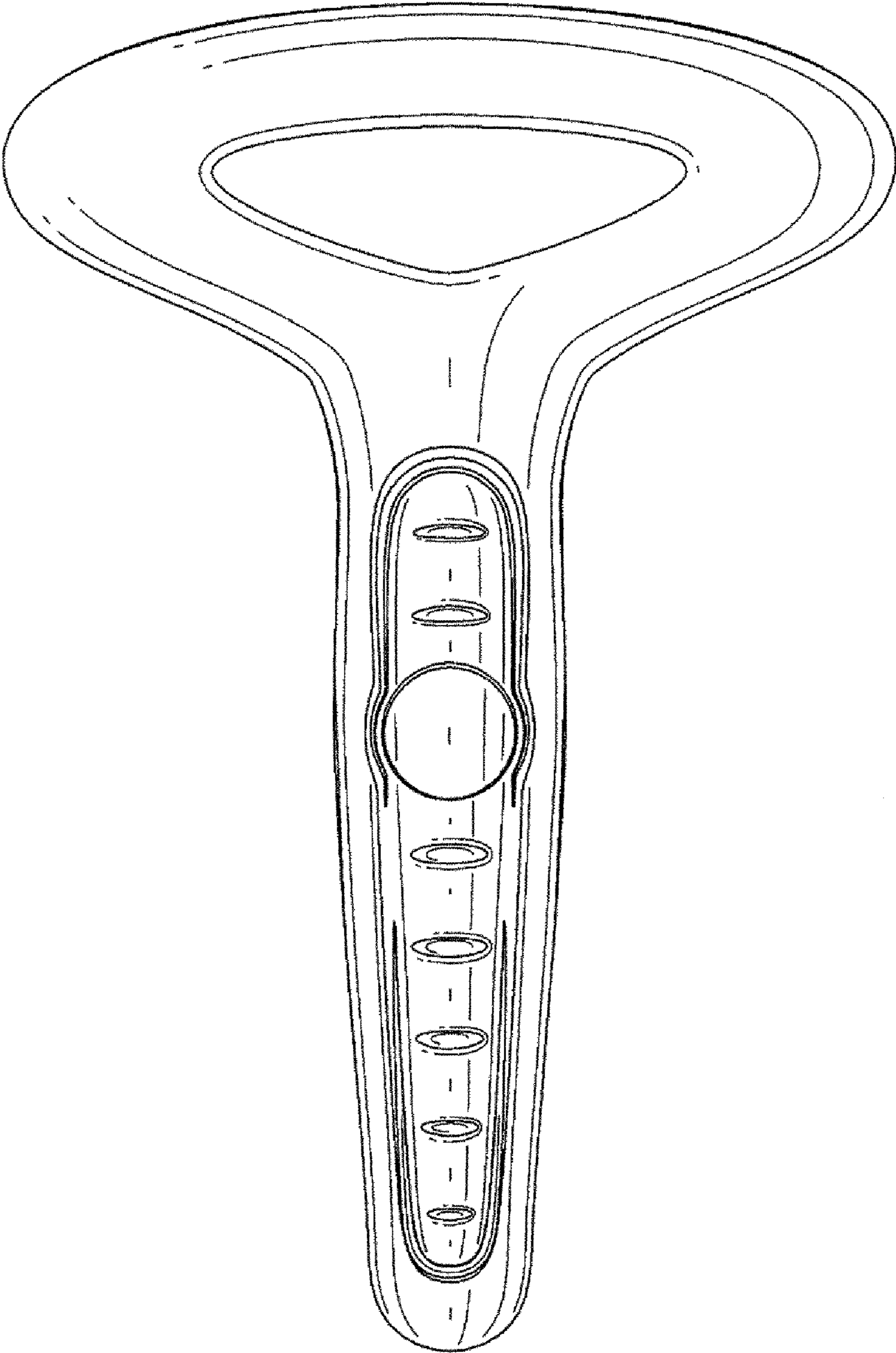


FIG. 2

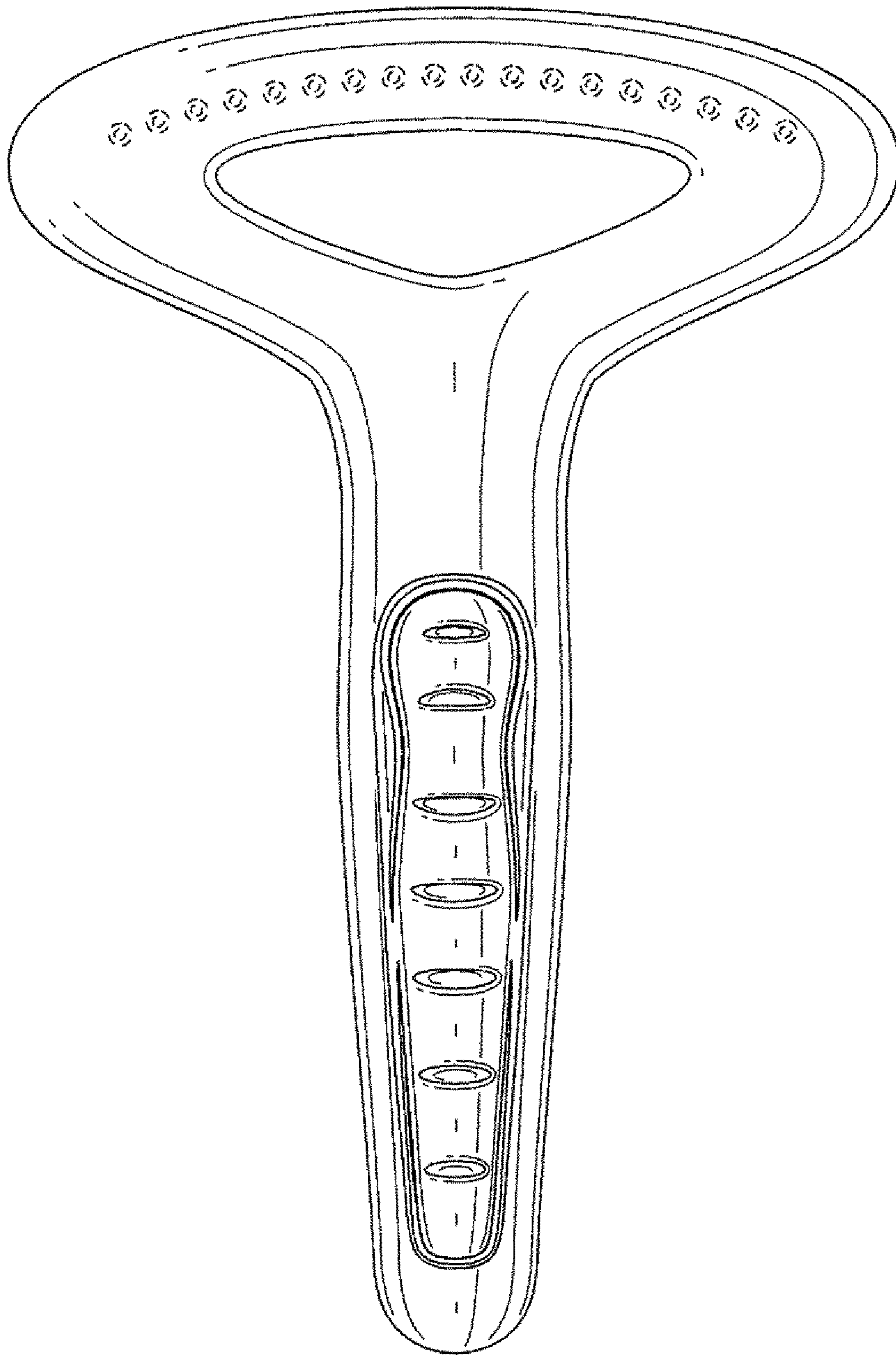


FIG. 3

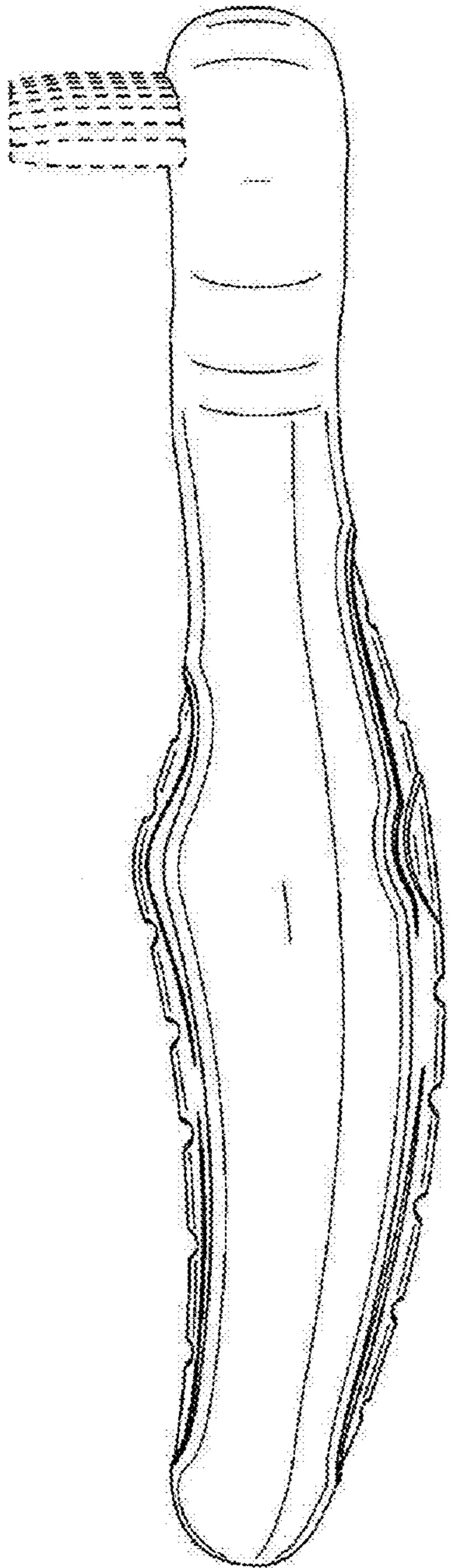


FIG. 4

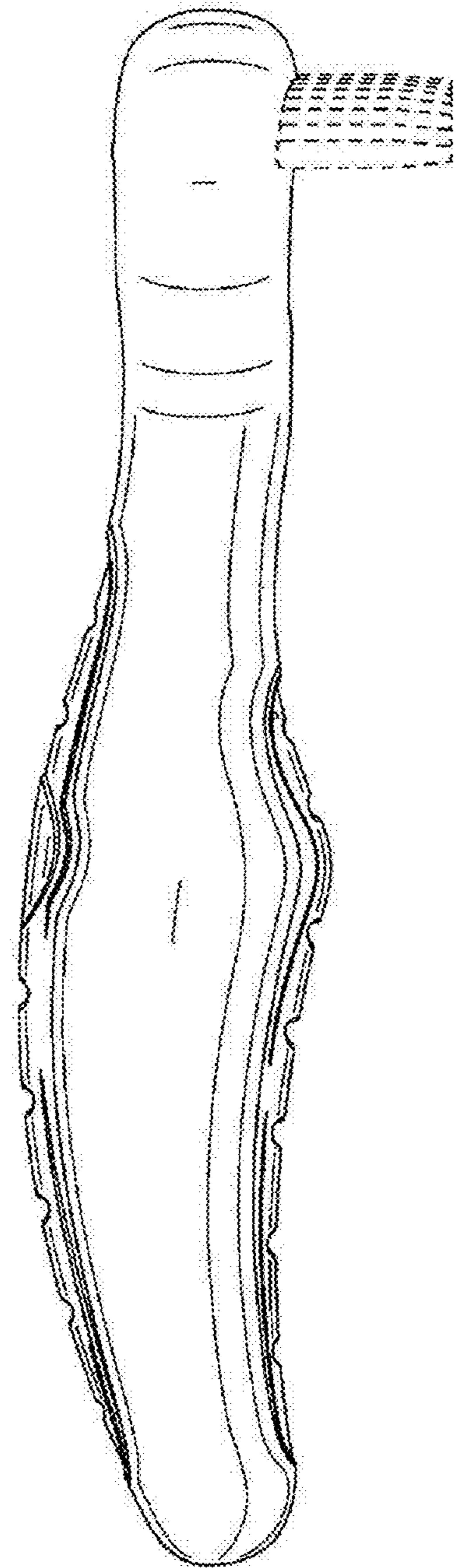


FIG. 5

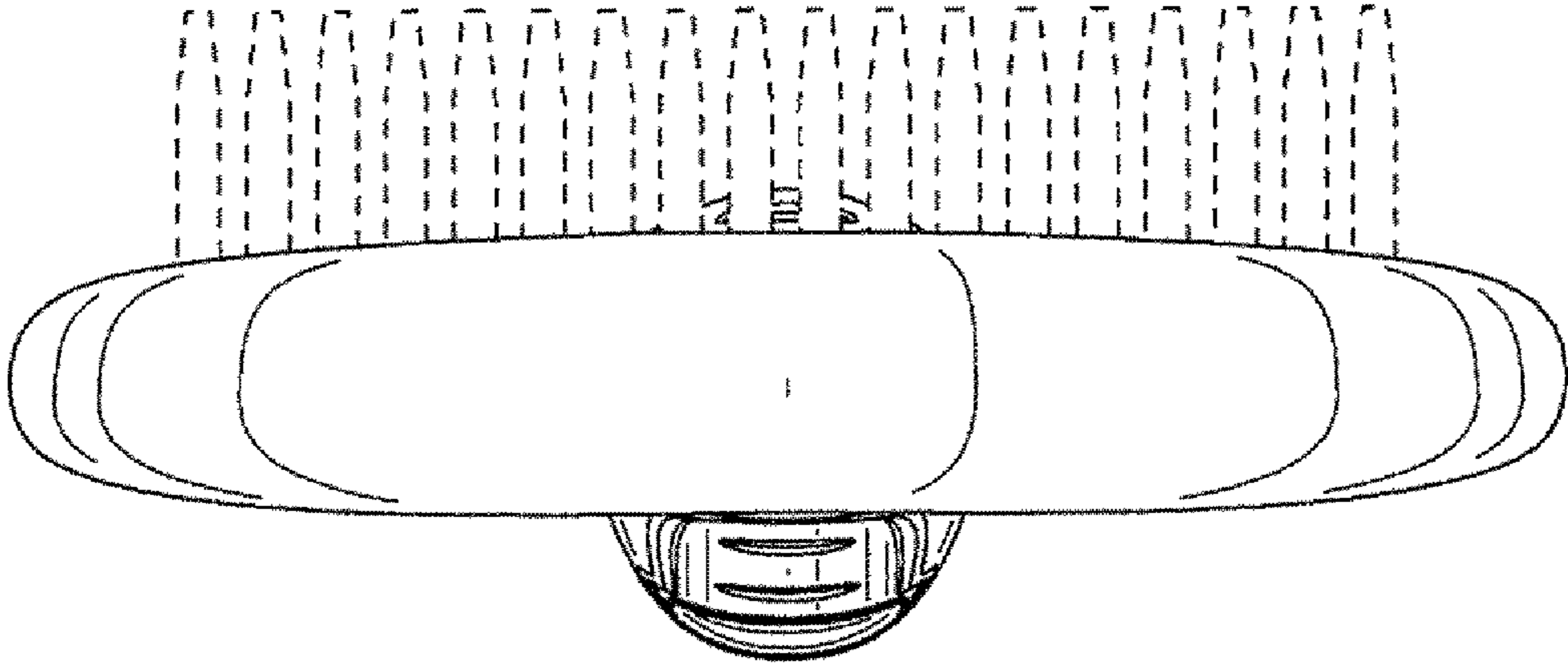


FIG. 6

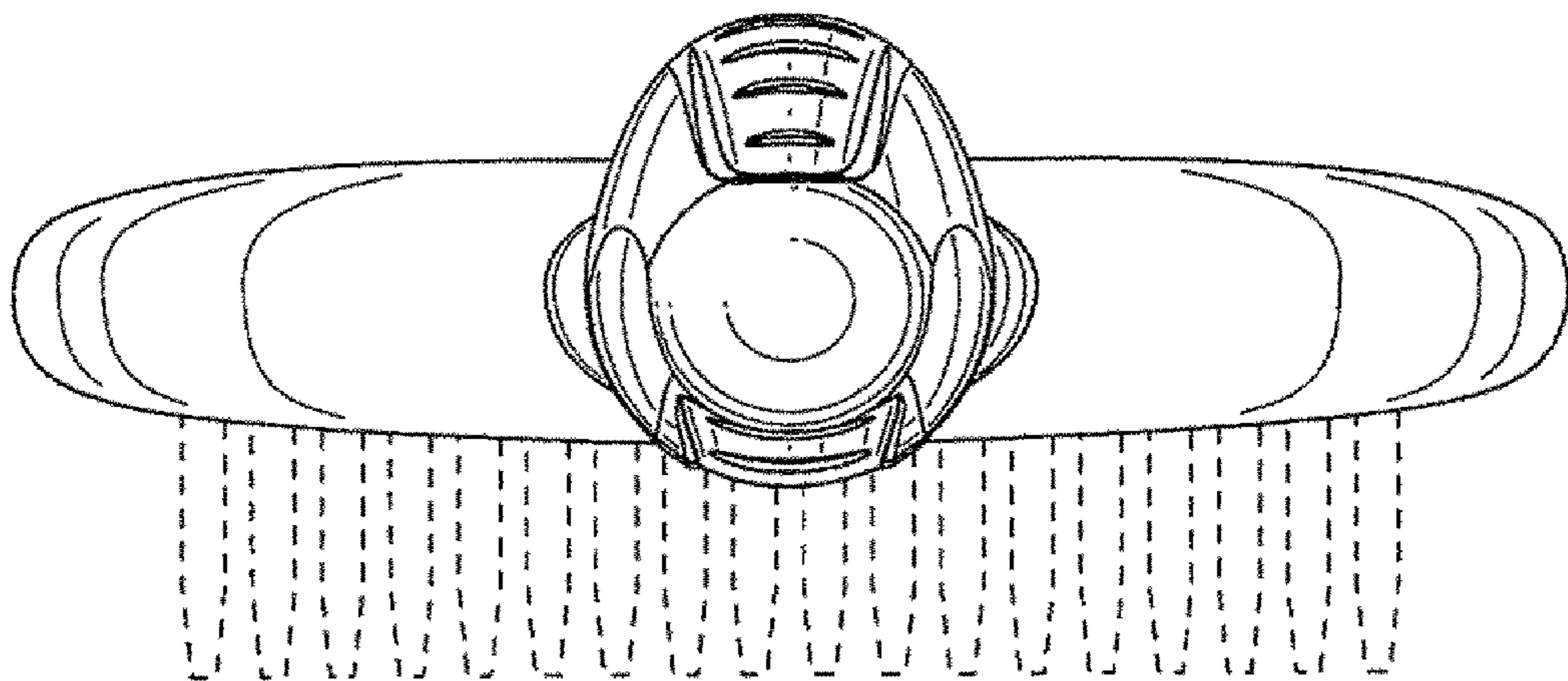


FIG. 7