



US00D625471S

(12) **United States Design Patent**  
**King**

(10) **Patent No.:** **US D625,471 S**  
(45) **Date of Patent:** **\*\* Oct. 12, 2010**

(54) **FISH RETENTION STRUCTURE**

(76) Inventor: **David King**, 22667 Lakeview Rd.,  
Springdale, AR (US) 72764

(\*\*) Term: **14 Years**

(21) Appl. No.: **29/316,174**

(22) Filed: **Aug. 31, 2009**

(51) **LOC (9) Cl.** ..... **30-02**

(52) **U.S. Cl.** ..... **D30/106**

(58) **Field of Classification Search** ..... D30/101–102,  
D30/106, 199; 119/207–208, 219, 221–223,  
119/256, 269; 405/23, 25, 27, 29, 33; 446/105–106,  
446/117, 124–126; D22/199  
See application file for complete search history.

(56) **References Cited**

**U.S. PATENT DOCUMENTS**

2,803,113	A *	8/1957	Hoad	405/29
3,753,553	A *	8/1973	Bockting	405/29
4,130,994	A *	12/1978	Van Moss, Jr.	405/27
4,471,552	A *	9/1984	McIntosh et al.	119/221
4,727,672	A	3/1988	Hill et al.	43/4
4,916,845	A	4/1990	Aydelette, Sr.	43/4
4,993,362	A *	2/1991	Jimbo	119/221
5,005,309	A	4/1991	Hall	43/4
5,190,403	A *	3/1993	Atkinson	405/29
5,272,829	A	12/1993	Roberts et al.	43/4
5,315,779	A	5/1994	Fussell	43/4

6,431,792	B1 *	8/2002	Barnes	405/25
6,523,497	B2	2/2003	Smith	119/221
6,905,287	B2 *	6/2005	Doolaage	119/219
6,978,735	B1	12/2005	Yeager	119/221
7,097,385	B2 *	8/2006	Tabler	405/29
D607,082	S *	12/2009	Harper et al.	D22/199
2003/0000480	A1 *	1/2003	Jenkins	119/221
2004/0168649	A1 *	9/2004	Harper et al.	119/221

\* cited by examiner

*Primary Examiner*—Ian Simmons

*Assistant Examiner*—Wan Laymon

(74) *Attorney, Agent, or Firm*—Keisling & Pieper; David B. Pieper; Meredith K. Lowry

(57) **CLAIM**

The ornamental design for a fish retention structure, as shown and described.

**DESCRIPTION**

FIG. 1 is a perspective view of the fish retention structure showing my new design;

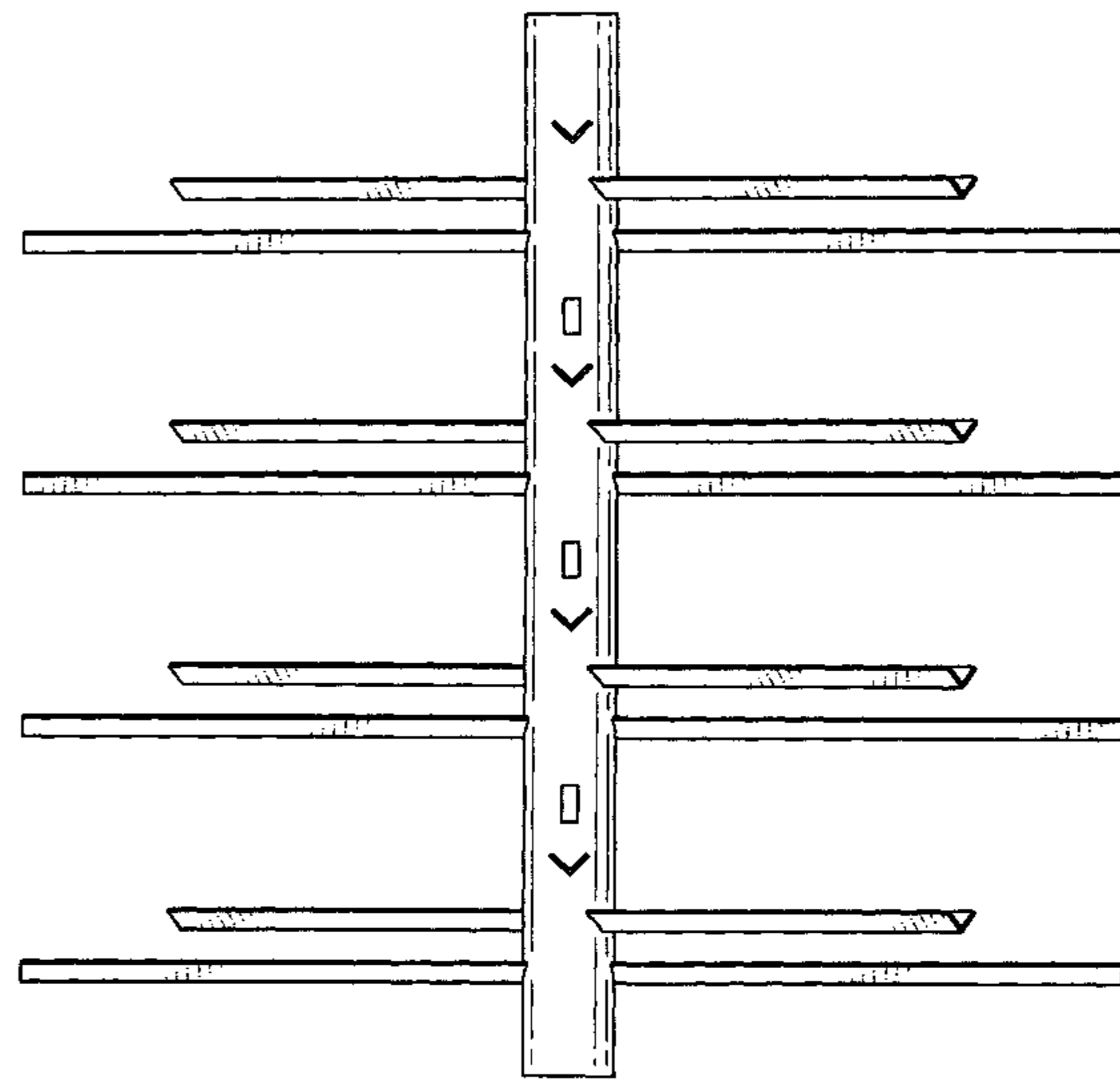
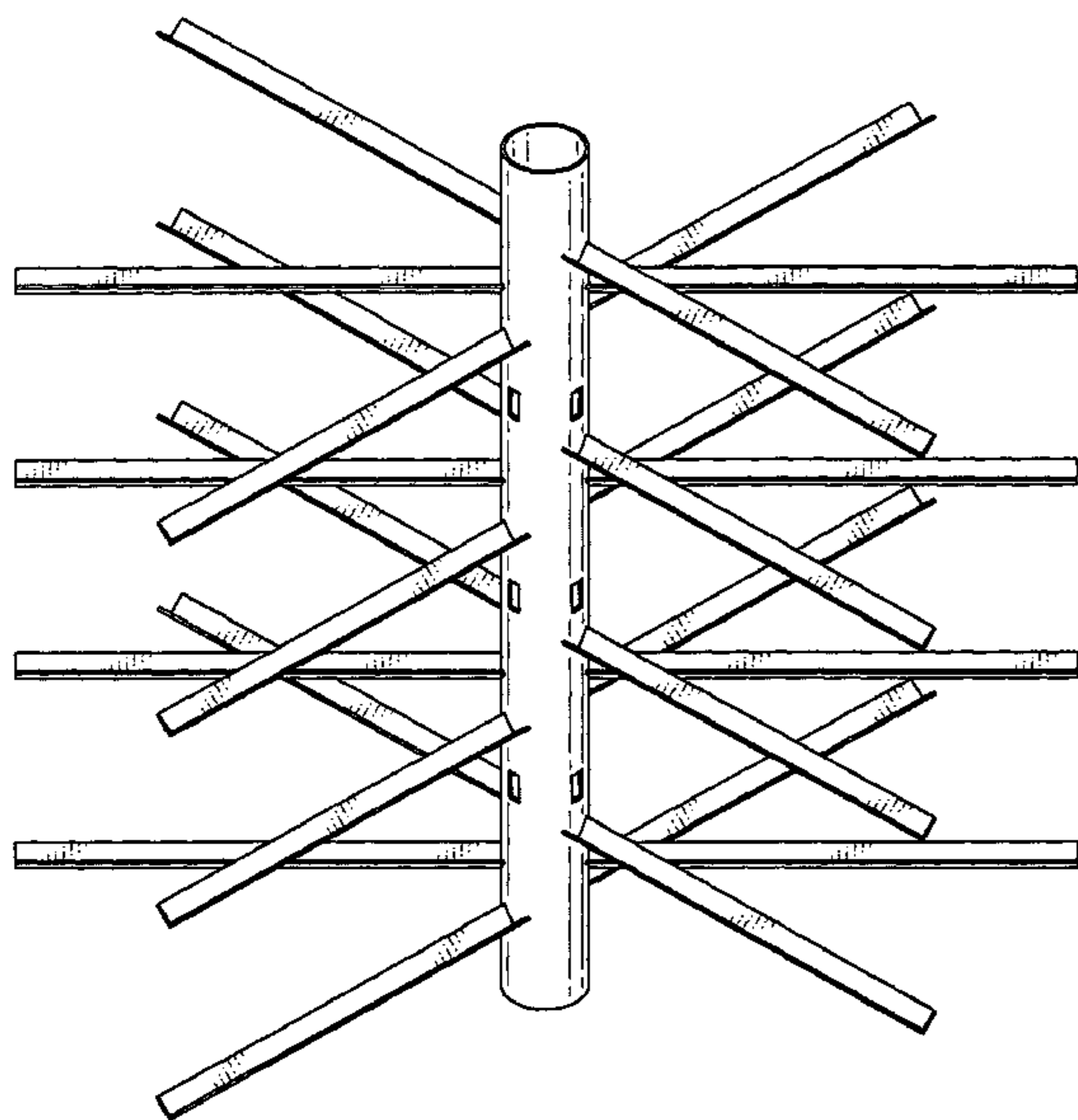
FIG. 2 is a top plan view thereof;

FIG. 3 is a bottom plan view thereof;

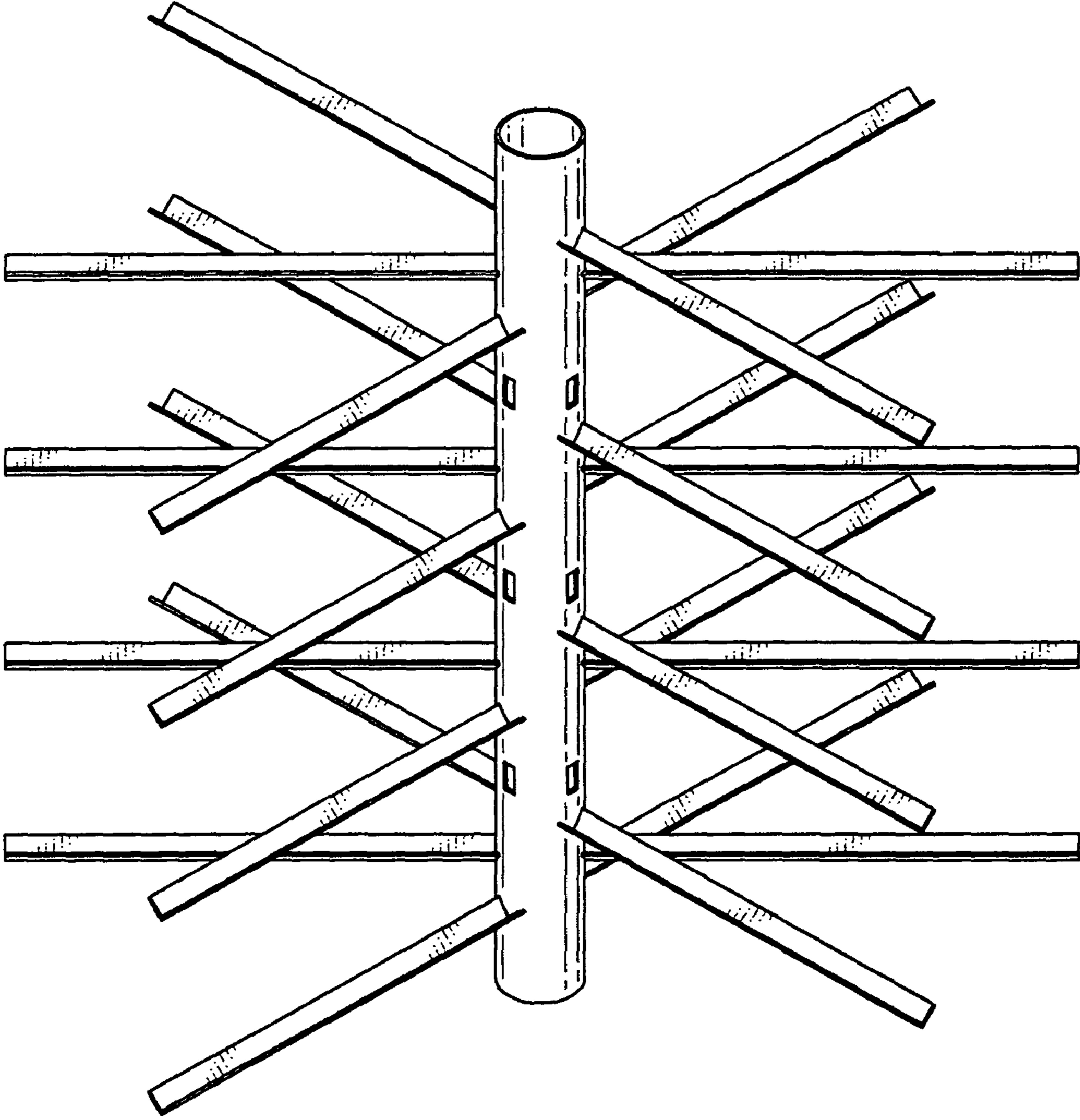
FIG. 4 is a front view thereof, the back view being the same; and,

FIG. 5 is a right side view thereof, the left side view being the same.

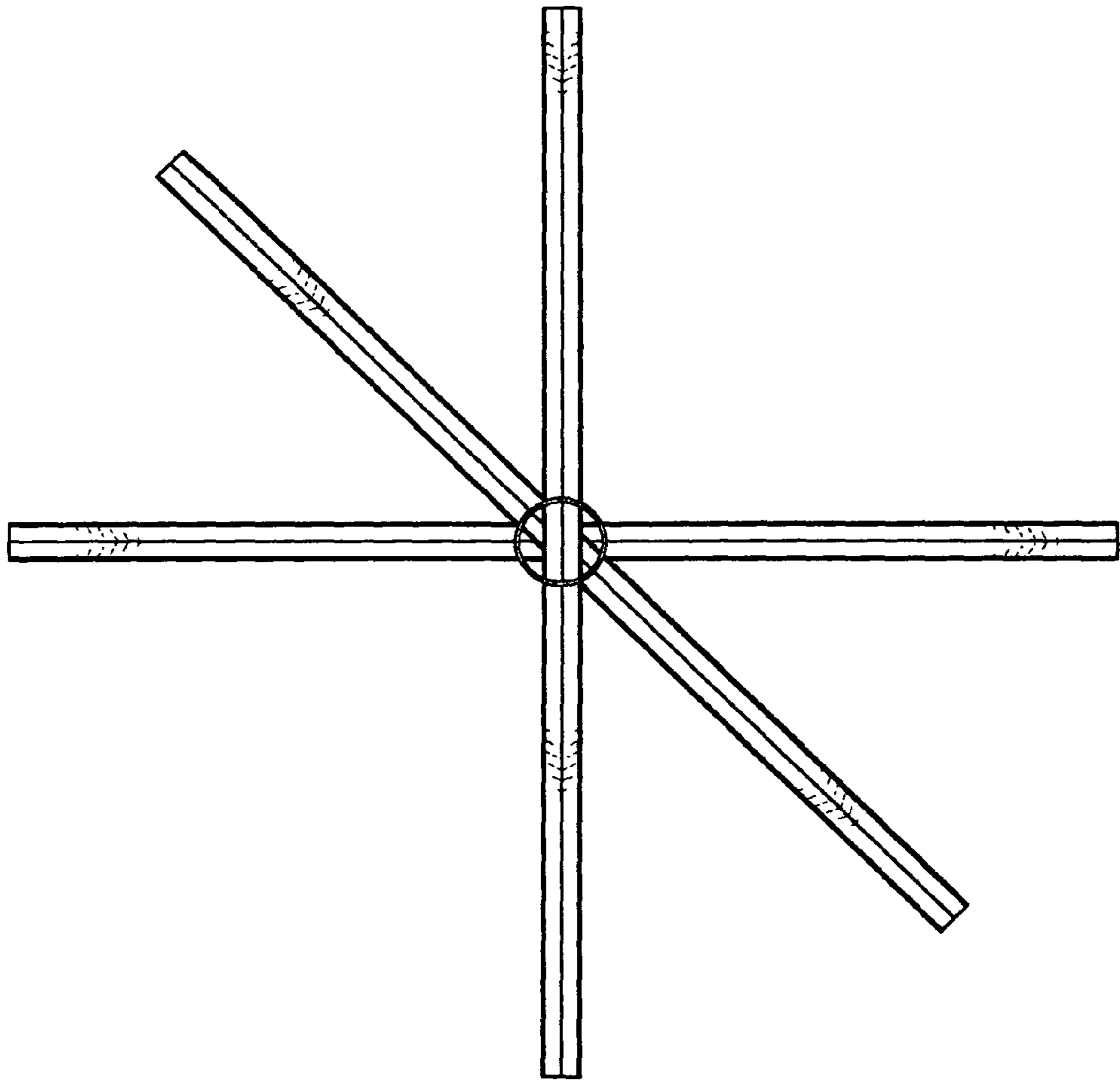
**1 Claim, 5 Drawing Sheets**



Front  
Back

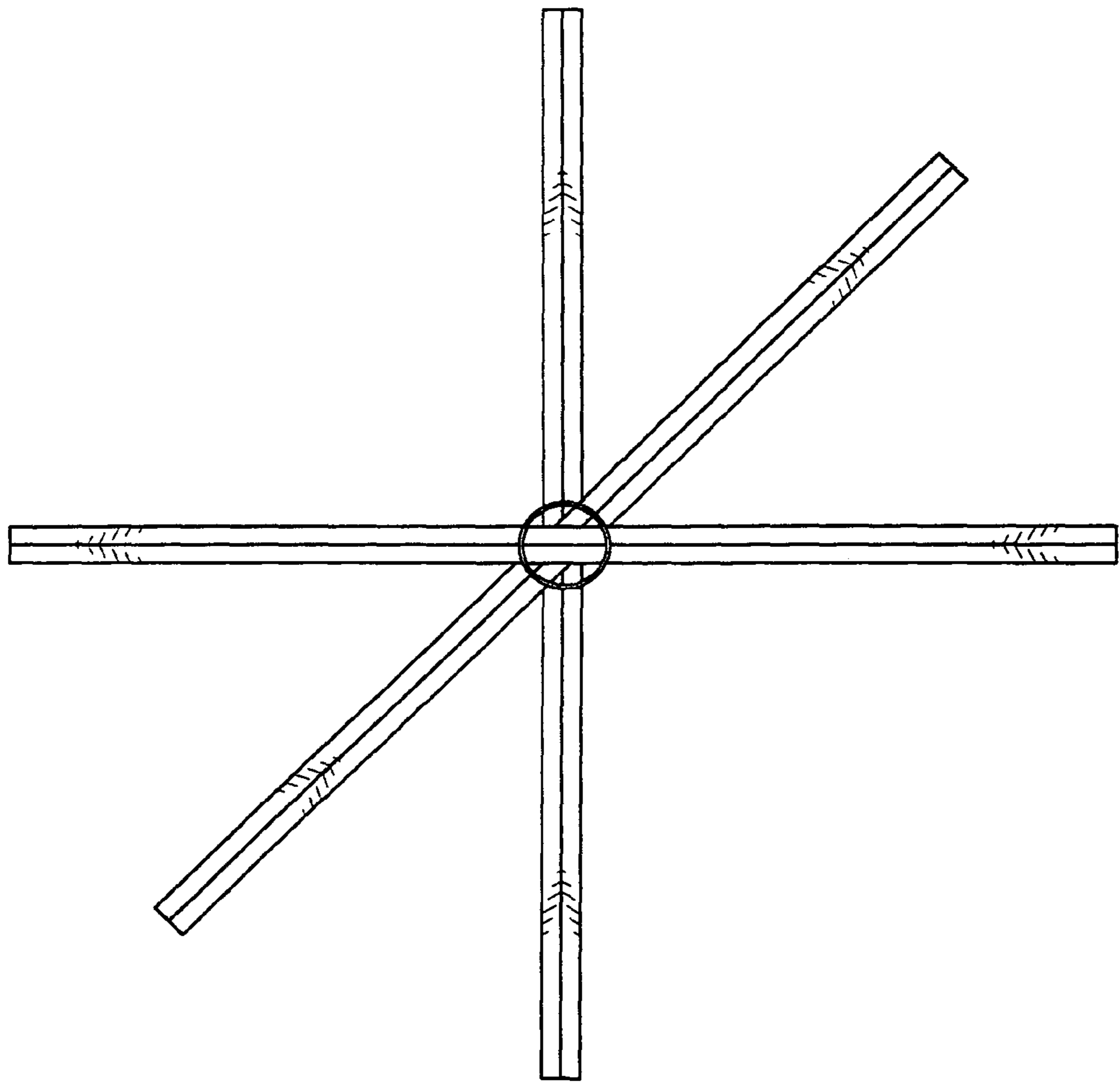


*FIG. 1*



TOP

*FIG. 2*



*FIG. 3*

Bottom

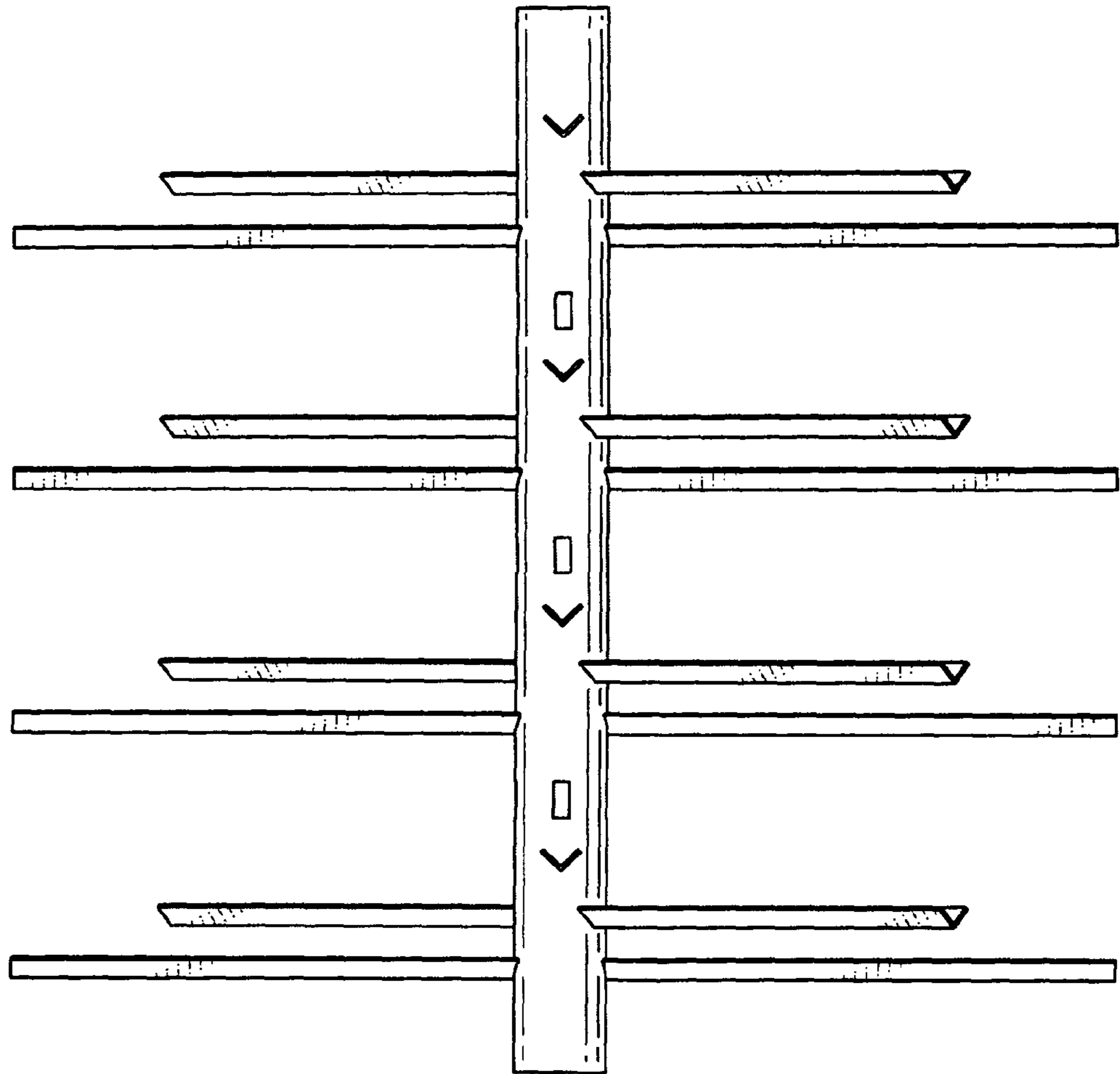


FIG. 4

Front  
Back

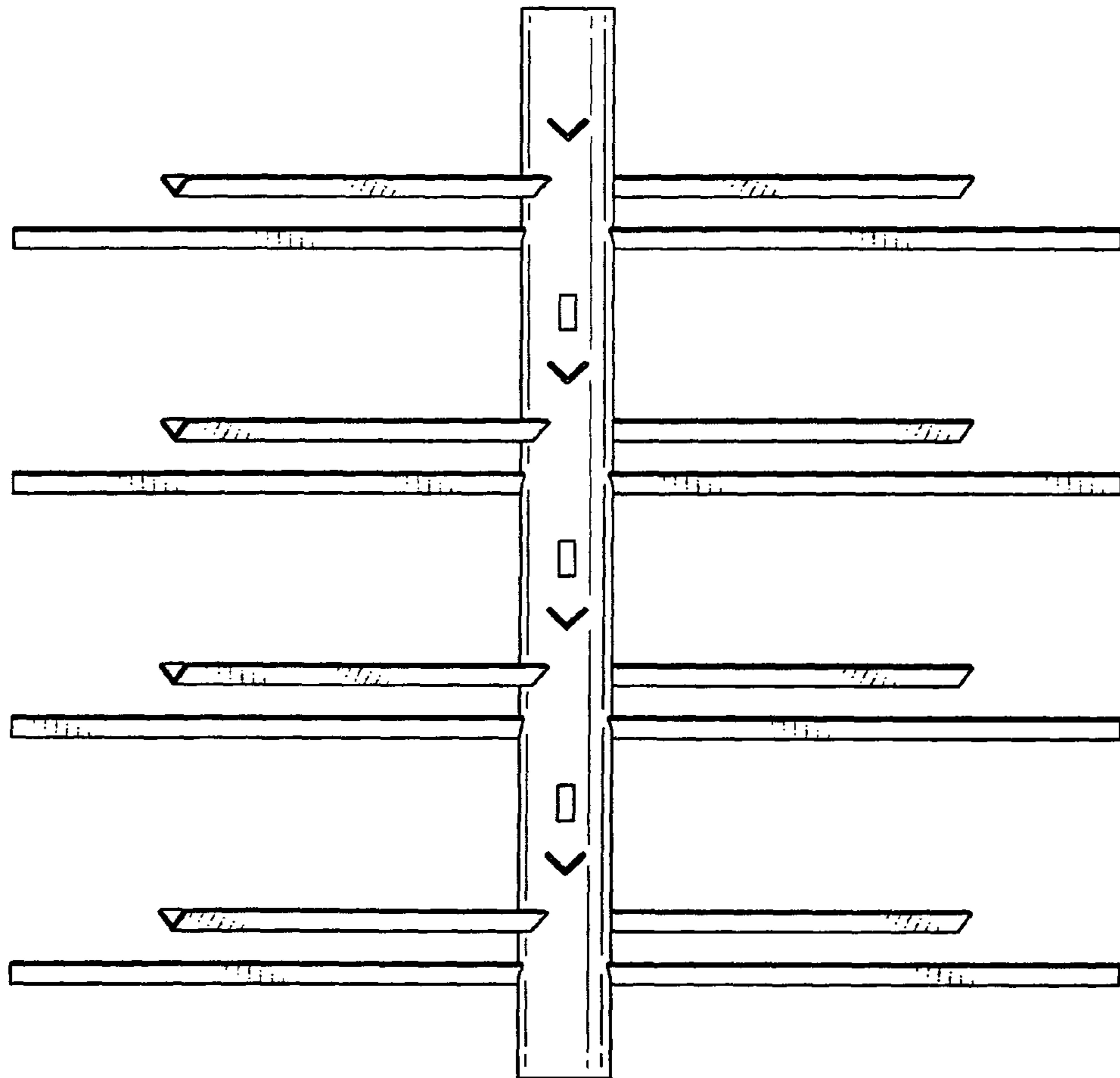


FIG. 5

Right  
Left