

US00D625463S

(12) **United States Design Patent**  
**Klus**

(10) **Patent No.:** **US D625,463 S**

(45) **Date of Patent:** **\*\* Oct. 12, 2010**

(54) **LED-BASED LINEAR LIGHTING APPARATUS WITH ROUNDED HOUSING**

(76) **Inventor:** **Sylwester Klus**, Swierkowa 6, 05-502, Kamionka (PL) 3

(\*\*) **Term:** **14 Years**

(21) **Appl. No.:** **29/354,012**

(22) **Filed:** **Jan. 18, 2010**

(51) **LOC (9) Cl.** ..... **26-99**

(52) **U.S. Cl.** ..... **D26/138**

(58) **Field of Classification Search** ..... D13/179, D13/180; D16/101, 135; D25/122, 124; D26/9, 11, 22, 25, 56, 67, 71, 72, 74, 76, D26/79, 84, 85, 88, 89, 113, 118, 119, 120, D26/121, 122, 123, 124, 128, 129, 130, 134, D26/137, 138, 139, 140, 141, 142, 152; 52/844; 359/811, 819; 362/145, 152, 219, 240, 241, 362/249.01, 249.02, 249.03, 249.04, 249.05, 362/249.06, 249.07, 249.08, 249.09, 249.1, 362/547, 555

See application file for complete search history.

(56) **References Cited**

**U.S. PATENT DOCUMENTS**

1,941,079	A *	12/1933	Exelmans	.....	362/224
D130,955	S *	12/1941	Smally	.....	D26/122
D247,194	S *	2/1978	Win	.....	D26/152
5,113,329	A *	5/1992	Lin	.....	362/238
5,499,170	A *	3/1996	Gagne	.....	362/84
D384,178	S *	9/1997	Costa	.....	D26/76
6,033,088	A *	3/2000	Contigiani	.....	362/249.14
D445,211	S *	7/2001	Baker	.....	D26/76
6,276,634	B1 *	8/2001	Bodle	.....	244/118.5
6,361,186	B1 *	3/2002	Slayden	.....	362/241
6,561,690	B2 *	5/2003	Balestriero et al.	.....	362/555
6,609,813	B1 *	8/2003	Showers et al.	.....	362/240

6,659,623	B2 *	12/2003	Friend	.....	362/249.06
6,929,382	B2 *	8/2005	Kuisma	.....	362/219
7,159,997	B2 *	1/2007	Reo et al.	.....	362/240
7,192,161	B1 *	3/2007	Cleaver et al.	.....	362/260
7,244,058	B2 *	7/2007	DiPenti et al.	.....	362/547
7,267,461	B2 *	9/2007	Kan et al.	.....	362/373
7,303,310	B2 *	12/2007	You et al.	.....	362/240
7,331,689	B2 *	2/2008	Chen	.....	362/240
D578,705	S *	10/2008	Aberg et al.	.....	D26/138
D600,401	S *	9/2009	Varrin	.....	D26/138
D603,079	S *	10/2009	Toot et al.	.....	D26/76
7,604,376	B2 *	10/2009	Sloan et al.	.....	362/246
2003/0174517	A1 *	9/2003	Kiraly et al.	.....	362/555
2006/0146531	A1 *	7/2006	Reo et al.	.....	362/244
2008/0030981	A1 *	2/2008	Mrakovich et al.	.....	362/219
2009/0207602	A1 *	8/2009	Reed et al.	.....	362/225
2009/0219713	A1 *	9/2009	Siemiet et al.	.....	362/218

\* cited by examiner

*Primary Examiner*—Cathron C Brooks  
*Assistant Examiner*—Kevin K Rudzinski  
(74) *Attorney, Agent, or Firm*—Mary Terry

(57) **CLAIM**

The ornamental design for the LED-based linear lighting apparatus with rounded housing, as shown and described.

**DESCRIPTION**

FIG. 1 is a top perspective view of the LED-based linear lighting apparatus with rounded housing showing the new design;

FIG. 2 is a bottom perspective view thereof.

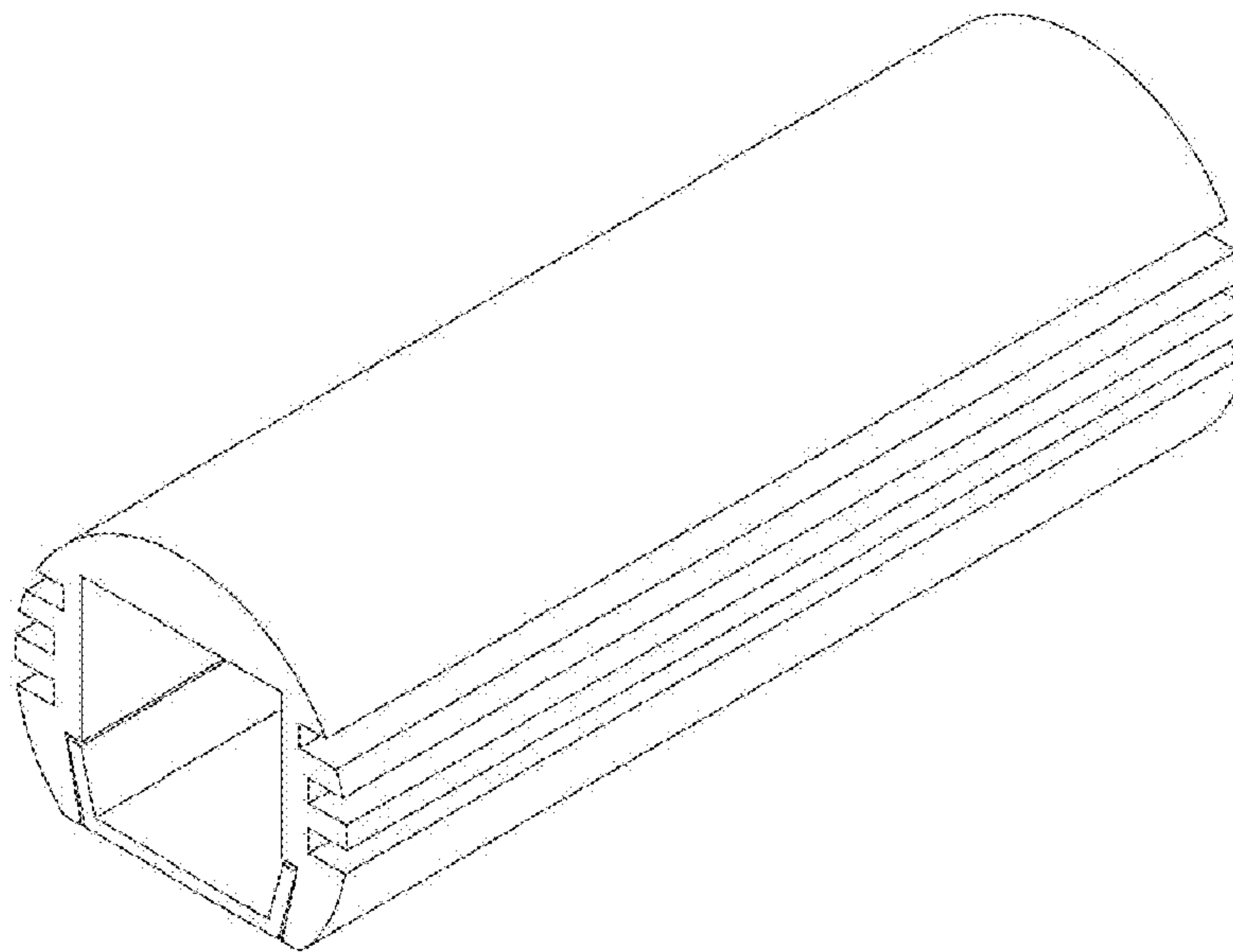
FIG. 3 is a front view thereof;

FIG. 4 is a side view thereof;

FIG. 5 is a top view thereof; and,

FIG. 6 is a bottom view thereof.

**1 Claim, 6 Drawing Sheets**



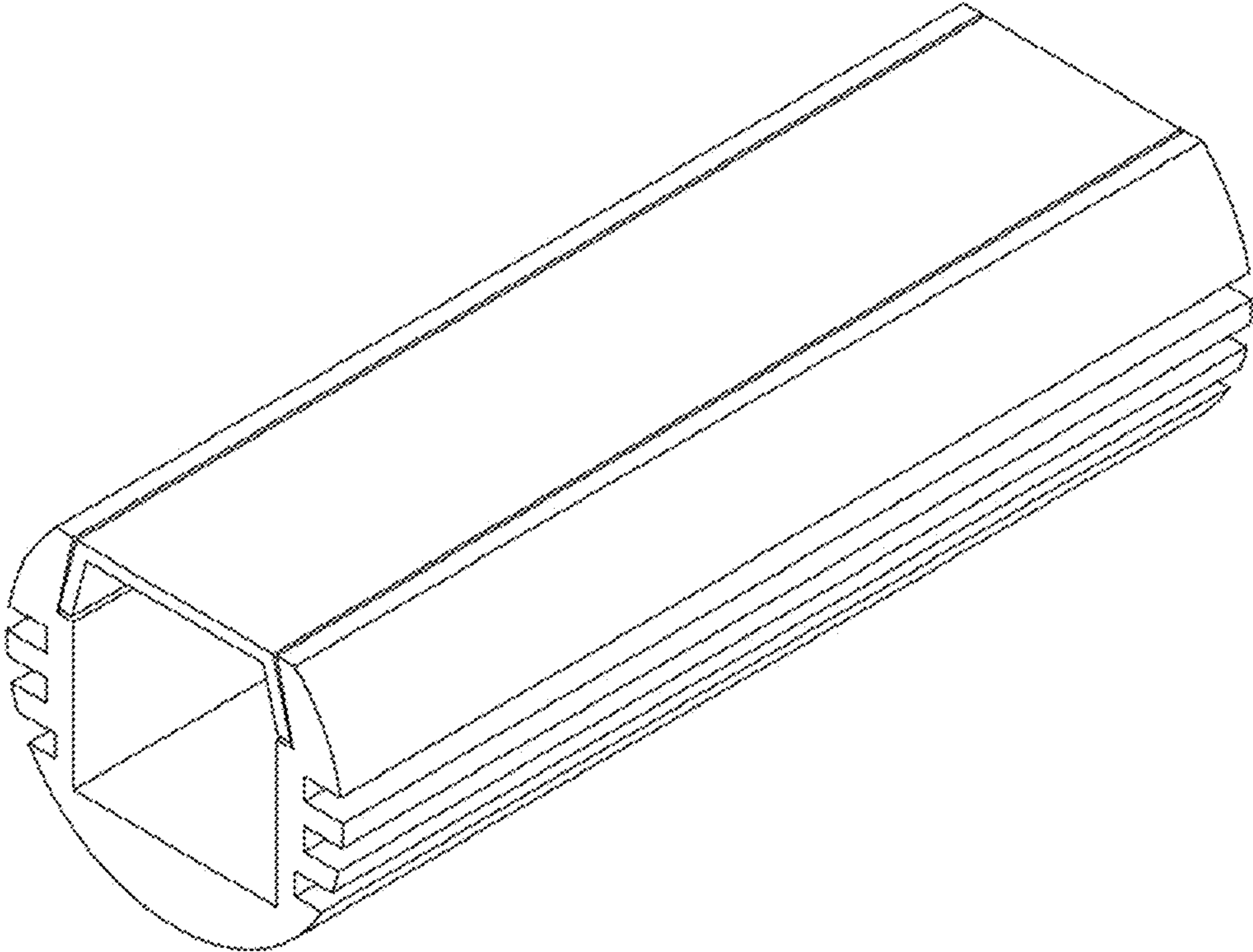


FIG.1

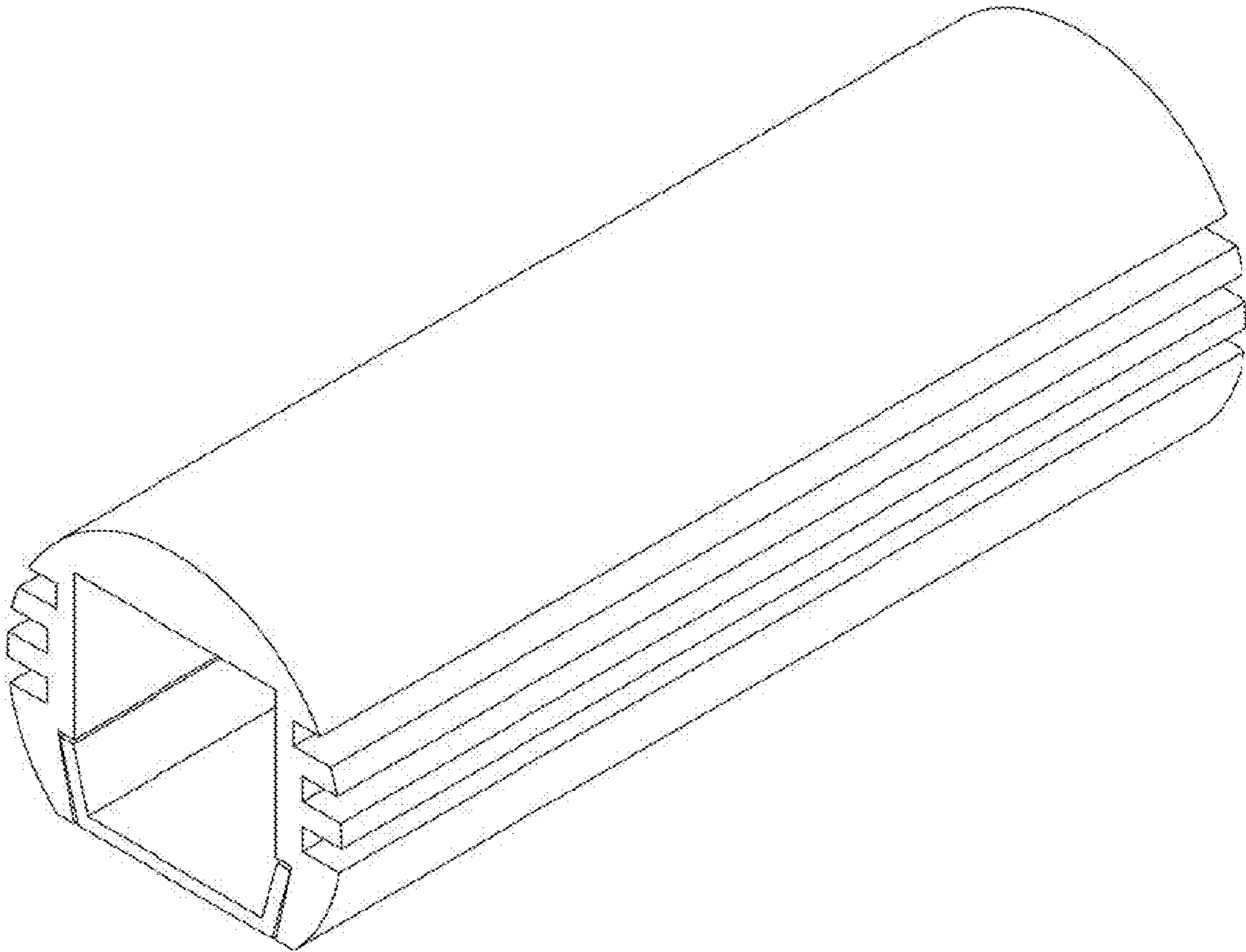


FIG.2

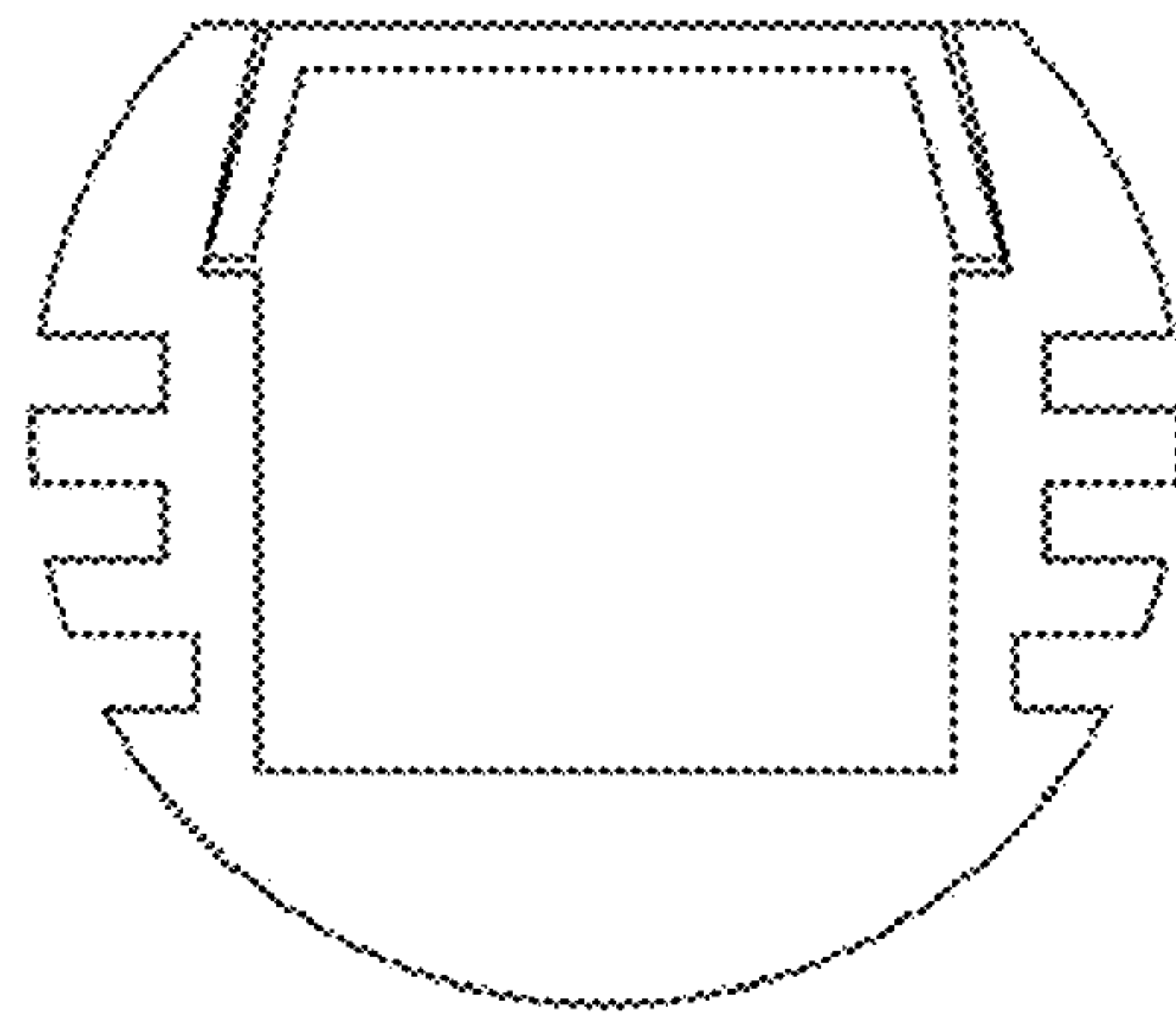


FIG.3

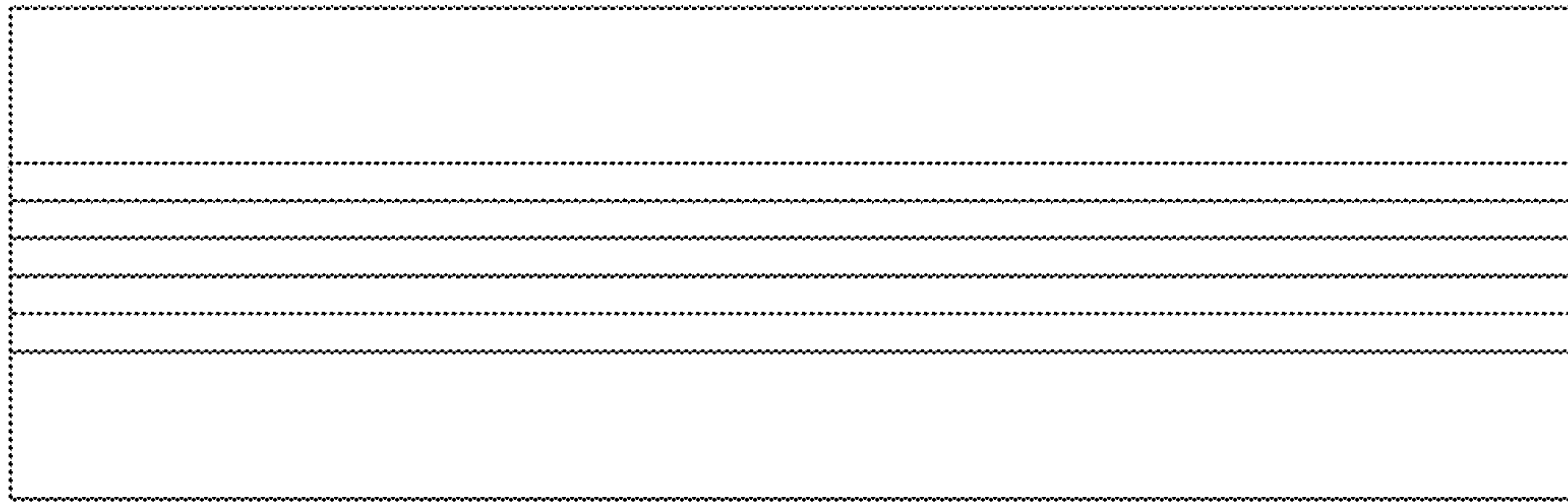


FIG.4

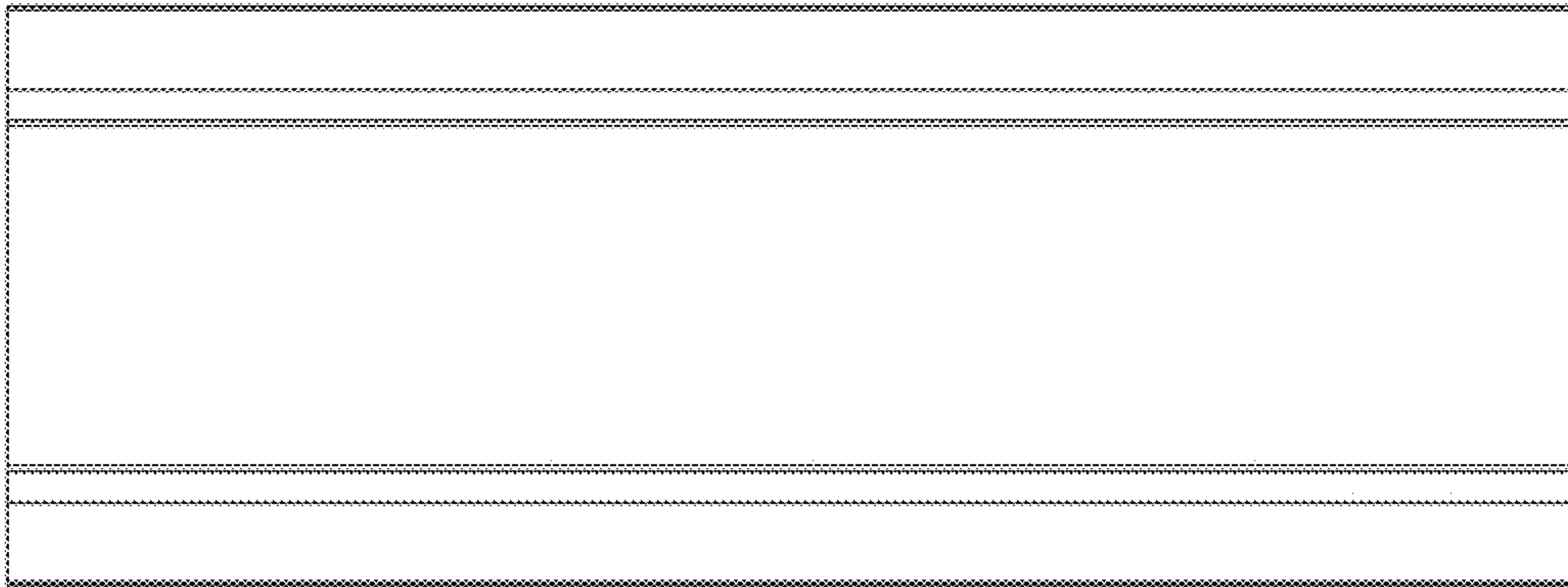


FIG.5

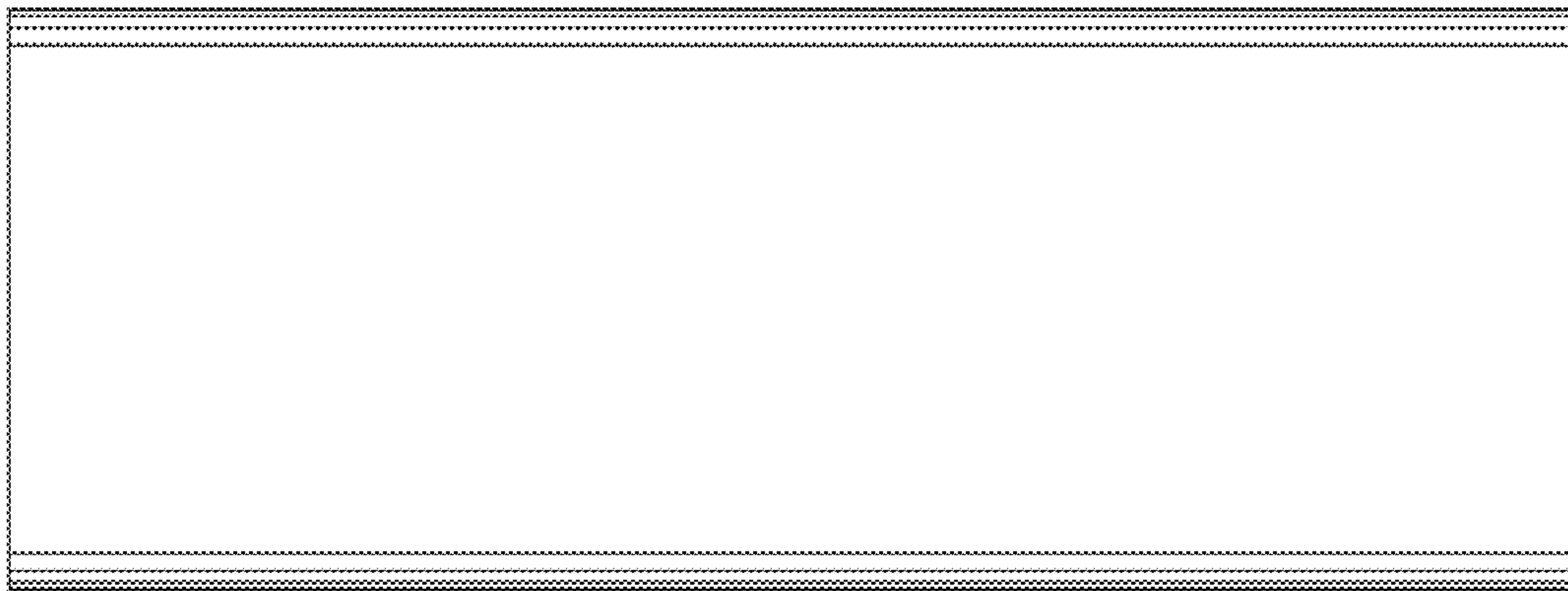


FIG.6