



US00D625458S

(12) **United States Design Patent**
Liu

(10) **Patent No.:** **US D625,458 S**
(45) **Date of Patent:** **** Oct. 12, 2010**

(54) **ILLUMINATION DEVICE**

(75) Inventor: **Yu-Pin Liu, Miao-Li Hsien (TW)**

(73) Assignee: **Foxsemicon Integrated Technology, Inc., Chu-Nan, Miao-Li Hsien (TW)**

(**) Term: **14 Years**

(21) Appl. No.: **29/345,695**

(22) Filed: **Oct. 21, 2009**

(30) **Foreign Application Priority Data**

Aug. 19, 2009 (CN) 2009 3 0312149

(51) **LOC (9) Cl.** **26-03**

(52) **U.S. Cl.** **D26/93**

(58) **Field of Classification Search** D26/1,
D26/24, 61, 63, 65, 6, 93-94, 101, 104-110,
D26/113; 362/3, 153, 186, 217, 255, 257,
362/277, 317, 351, 353, 362, 363, 382, 431,
362/433, 458, 806

See application file for complete search history.

(56) **References Cited**

U.S. PATENT DOCUMENTS

D264,254 S * 5/1982 Heritage D26/63
D291,360 S * 8/1987 De Vos et al. D26/63
D391,382 S * 2/1998 Rahn D26/63
D443,093 S * 5/2001 Chiang D26/65

D578,237 S * 10/2008 Engel D26/63
D580,577 S * 11/2008 Wang et al. D26/63
D588,736 S * 3/2009 Smith D26/63
D598,148 S * 8/2009 Leslie et al. D26/63
D599,494 S * 9/2009 Levine D26/61
D603,080 S * 10/2009 Benensohn D26/61

* cited by examiner

Primary Examiner—Brian N Vinson

(74) *Attorney, Agent, or Firm*—Raymond J. Chew

(57) **CLAIM**

The ornamental design for an illumination device, as shown.

DESCRIPTION

FIG. 1 is a perspective view of an illumination device showing our new design.

FIG. 2 is a front elevational view thereof.

FIG. 3 is a rear elevational view thereof.

FIG. 4 is a left-side, elevational view thereof.

FIG. 5 is a right-side, elevational view thereof.

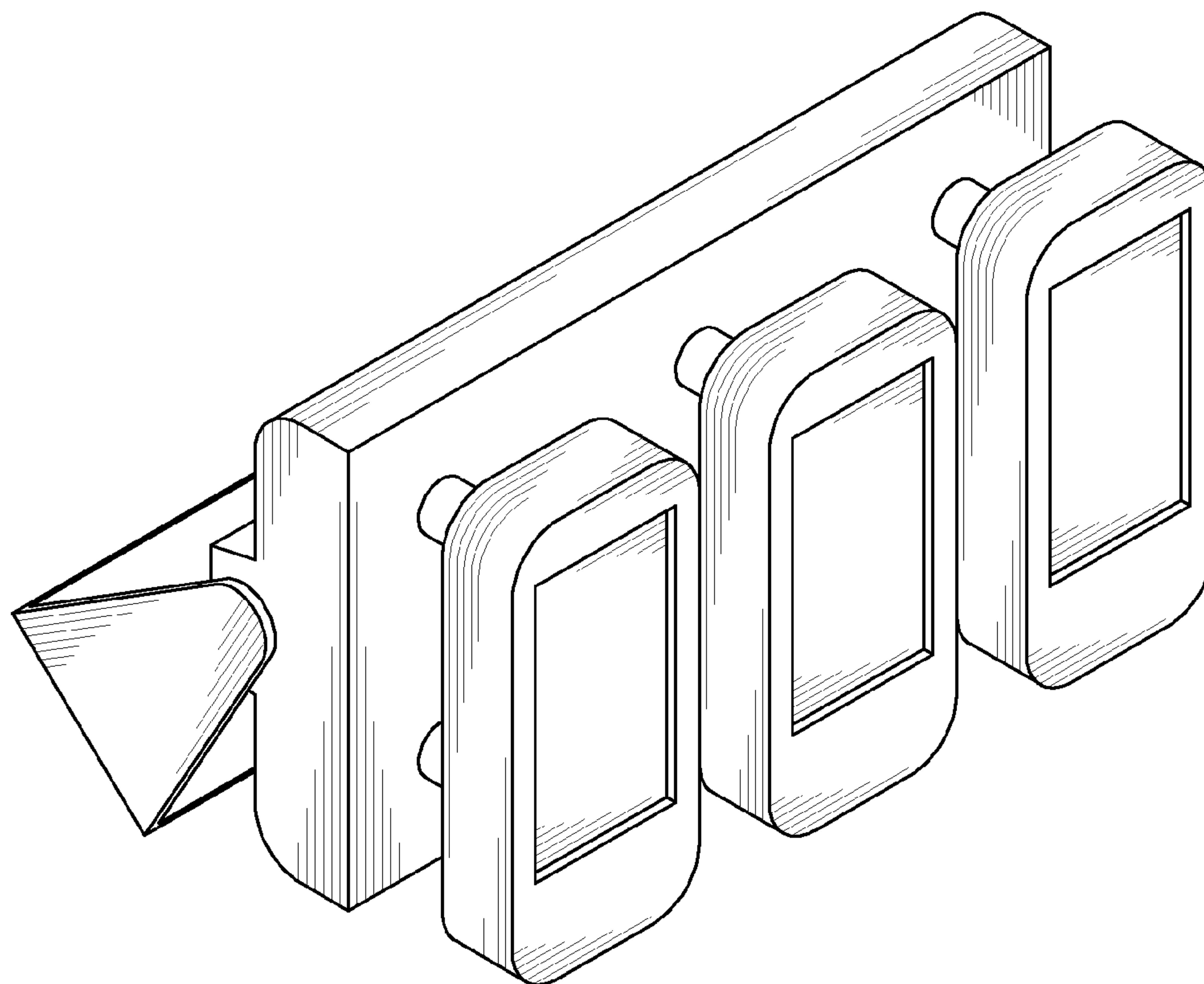
FIG. 6 is a top plan view thereof.

FIG. 7 is a bottom plan view thereof.

FIG. 8 is a perspective view thereof when the illumination device is in a first state; and,

FIG. 9 is a perspective view thereof when the illumination device is in a second state.

1 Claim, 9 Drawing Sheets



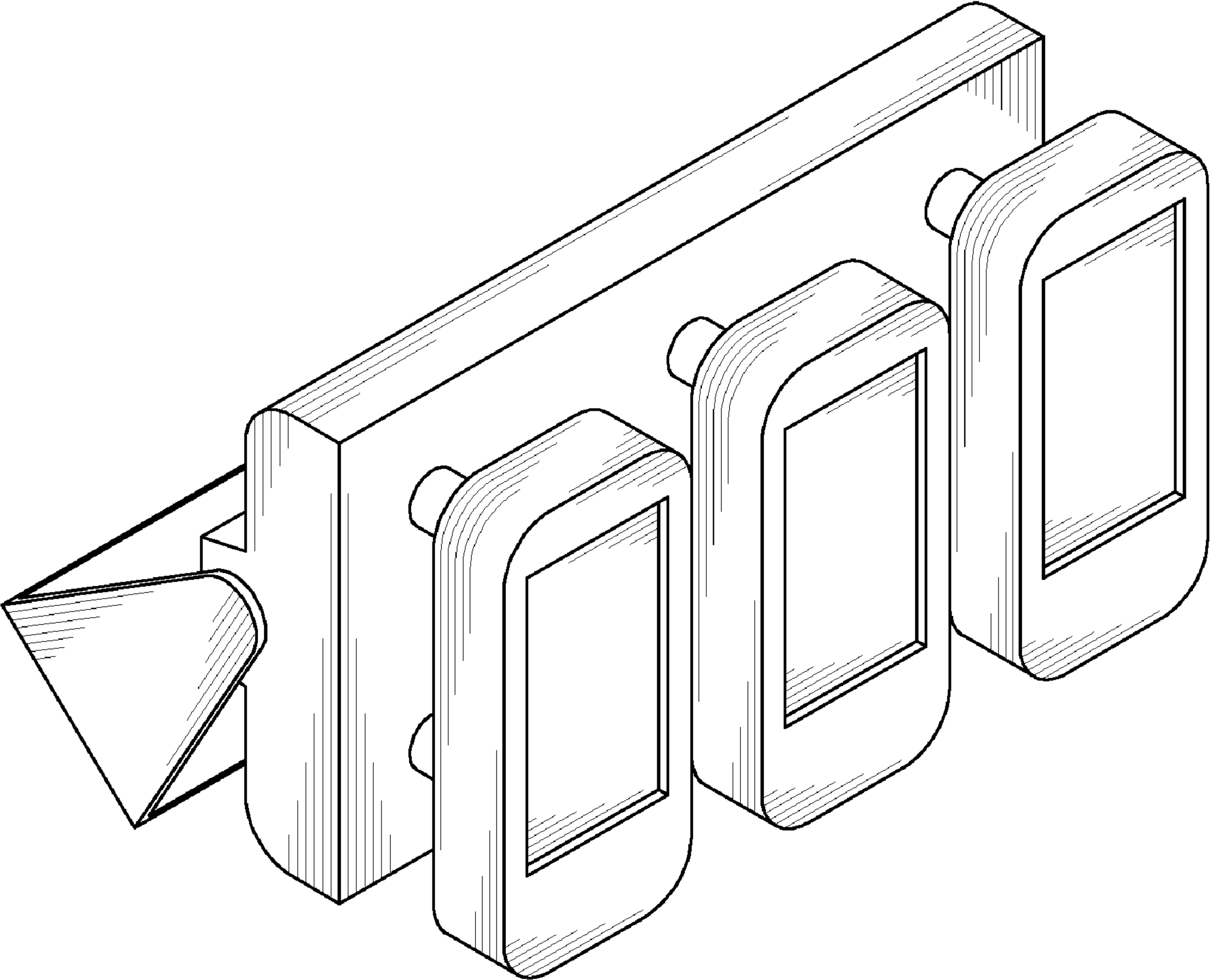


FIG. 1

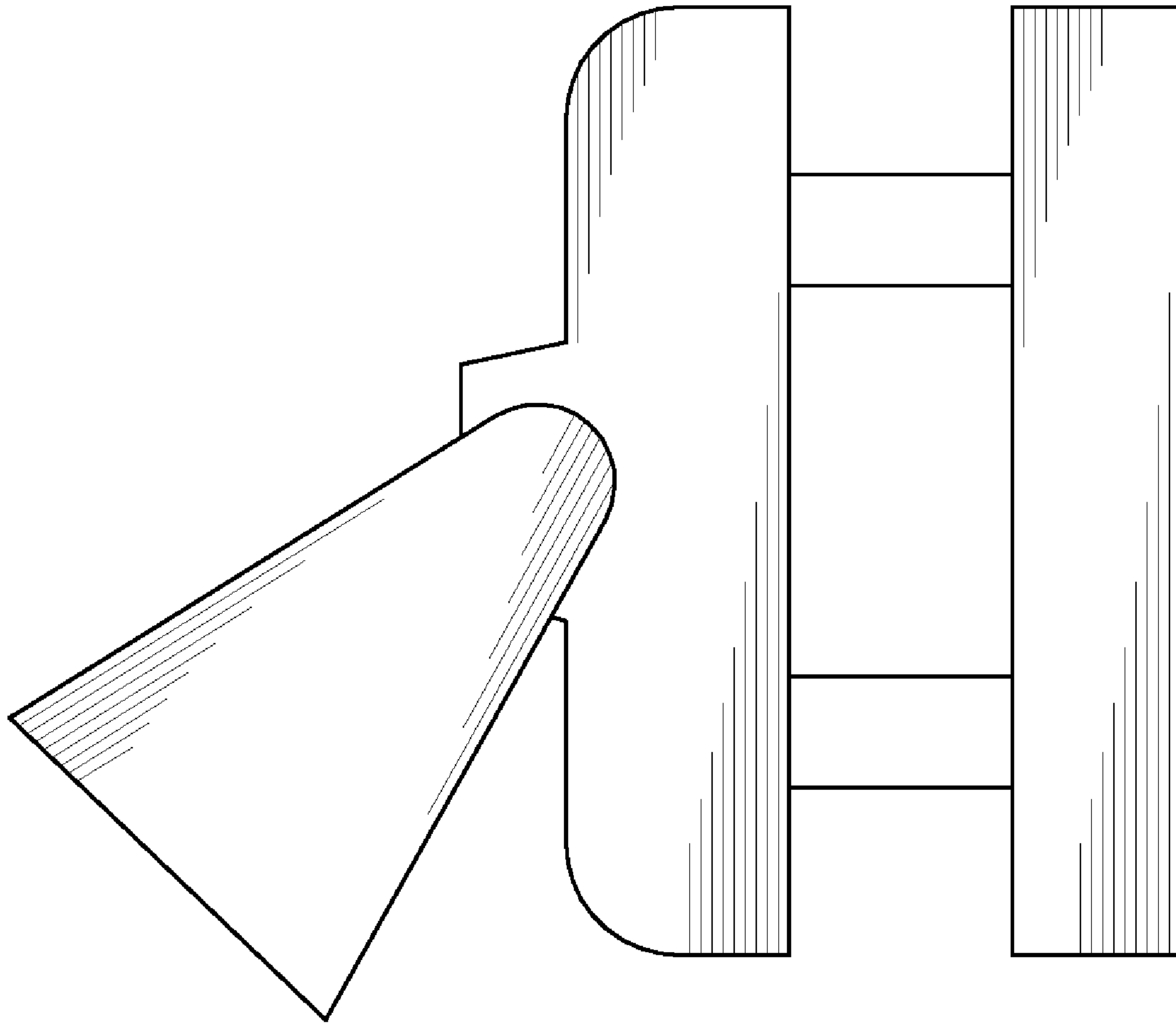


FIG. 2

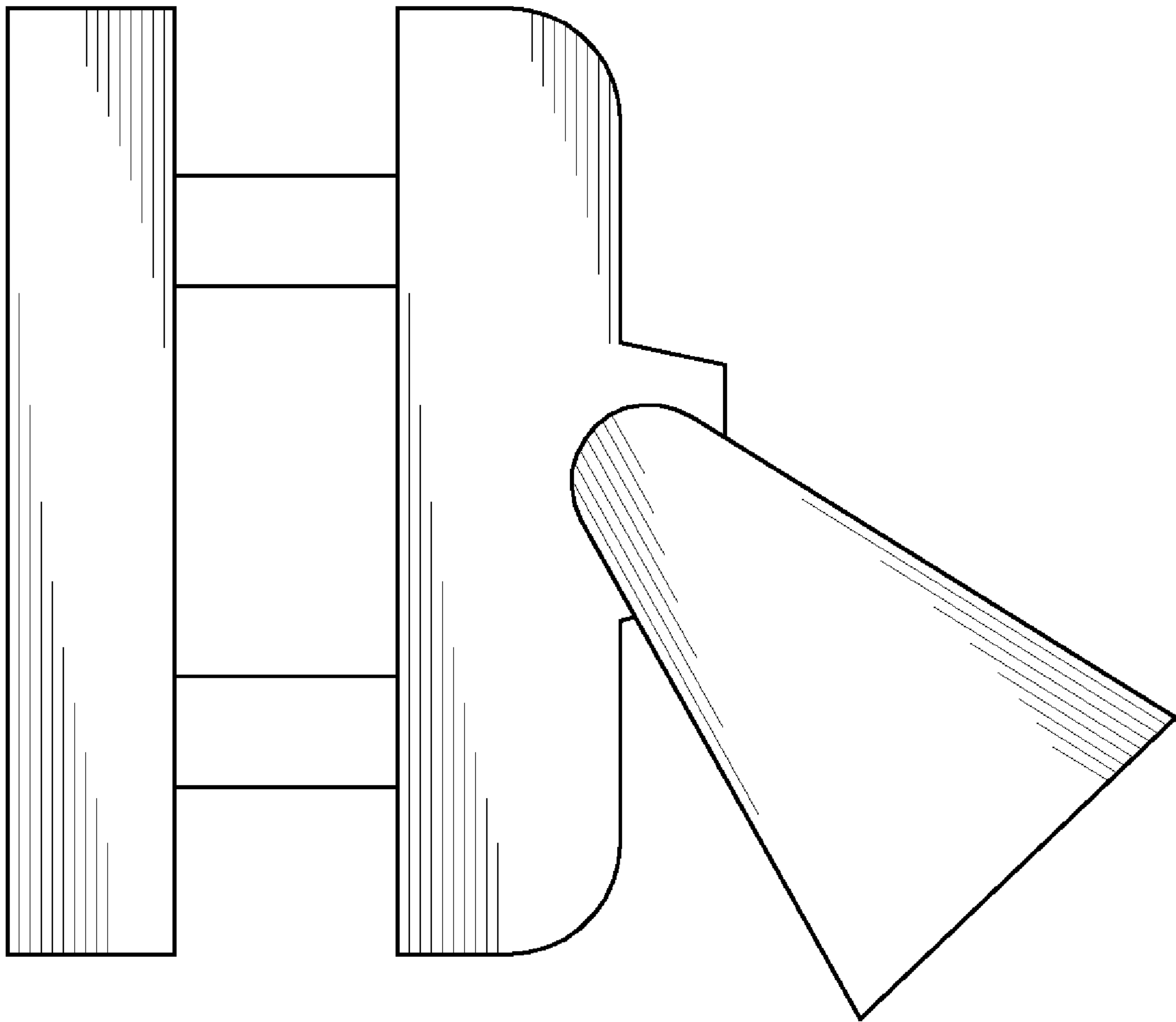


FIG. 3

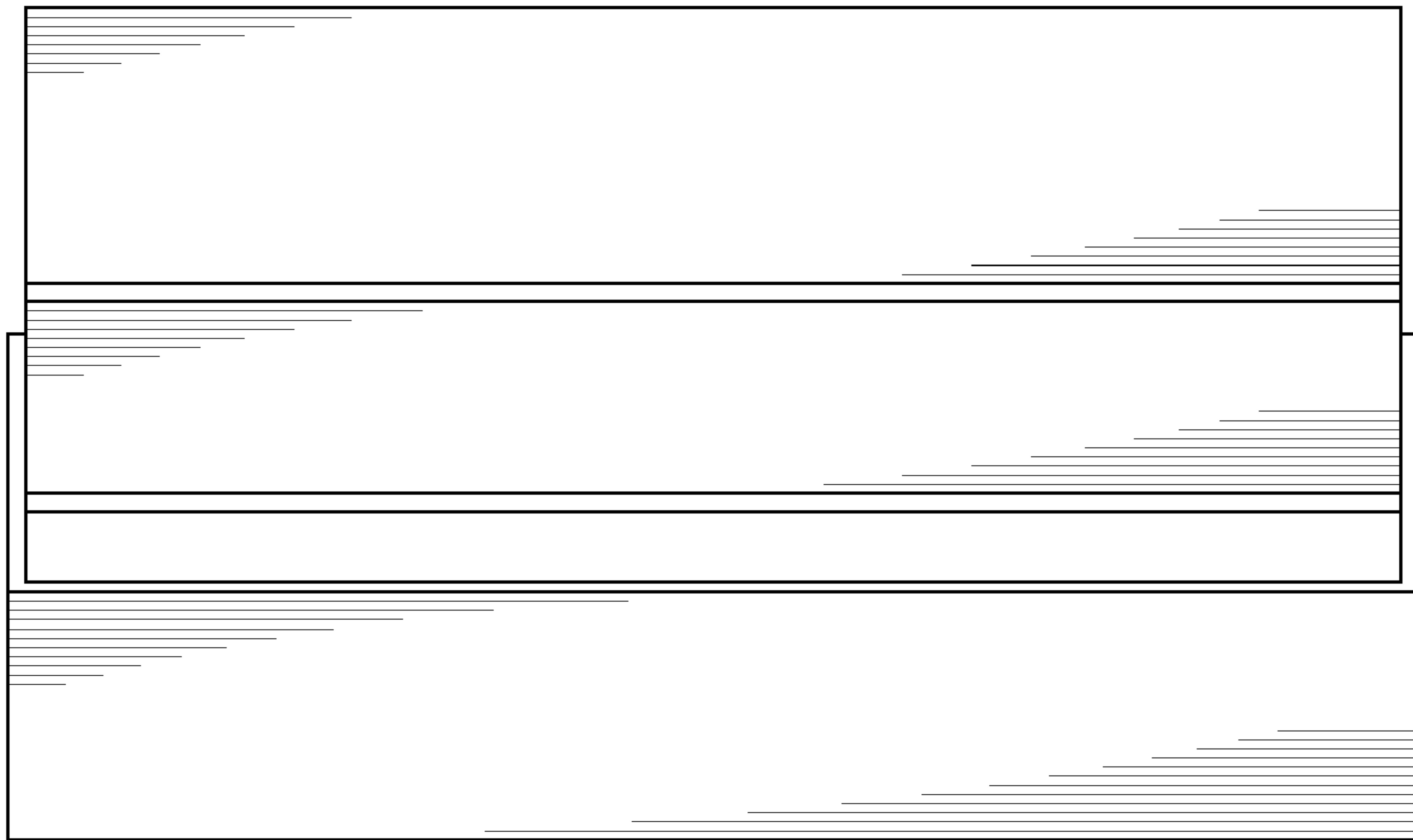


FIG. 4

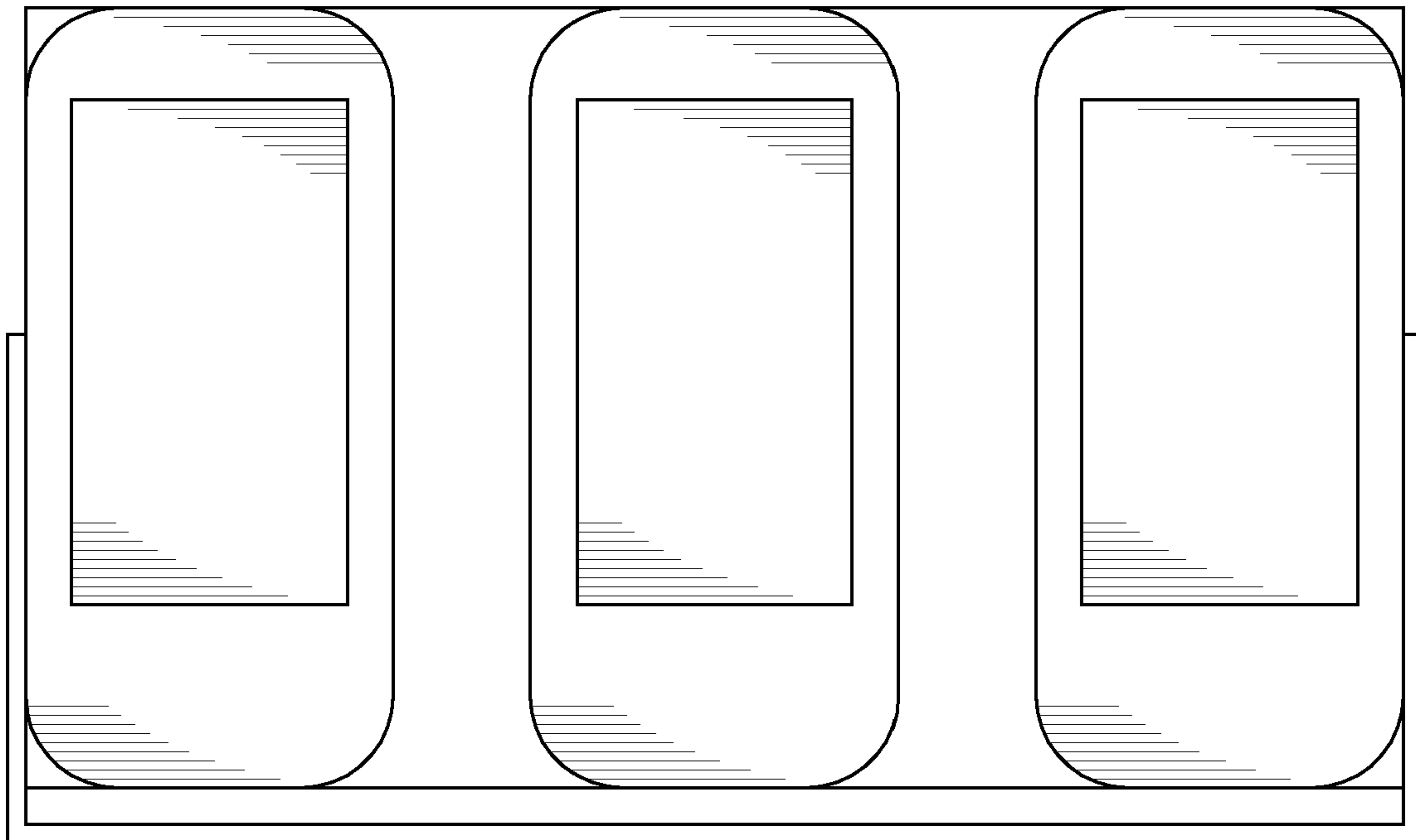


FIG. 5

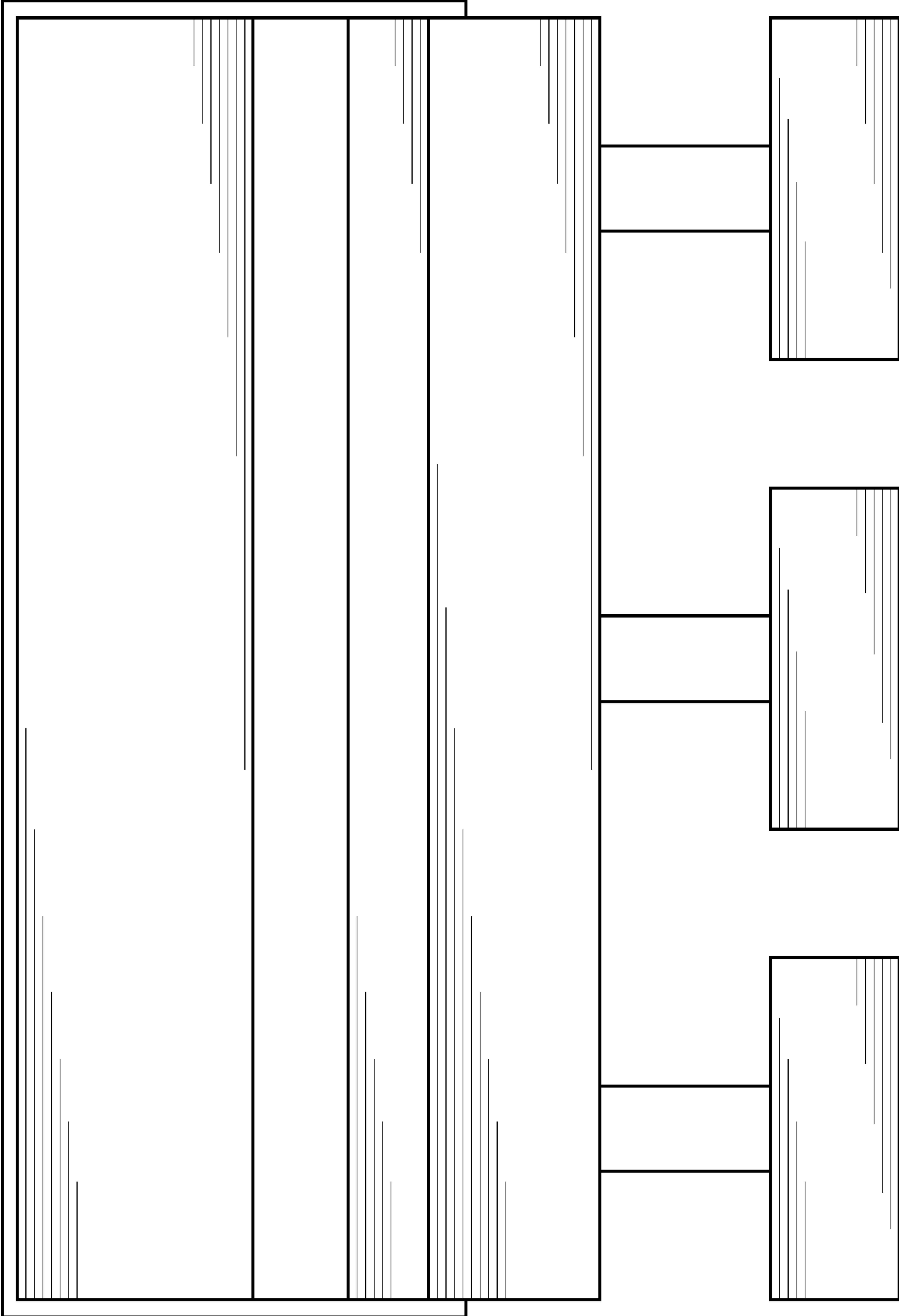


FIG. 6

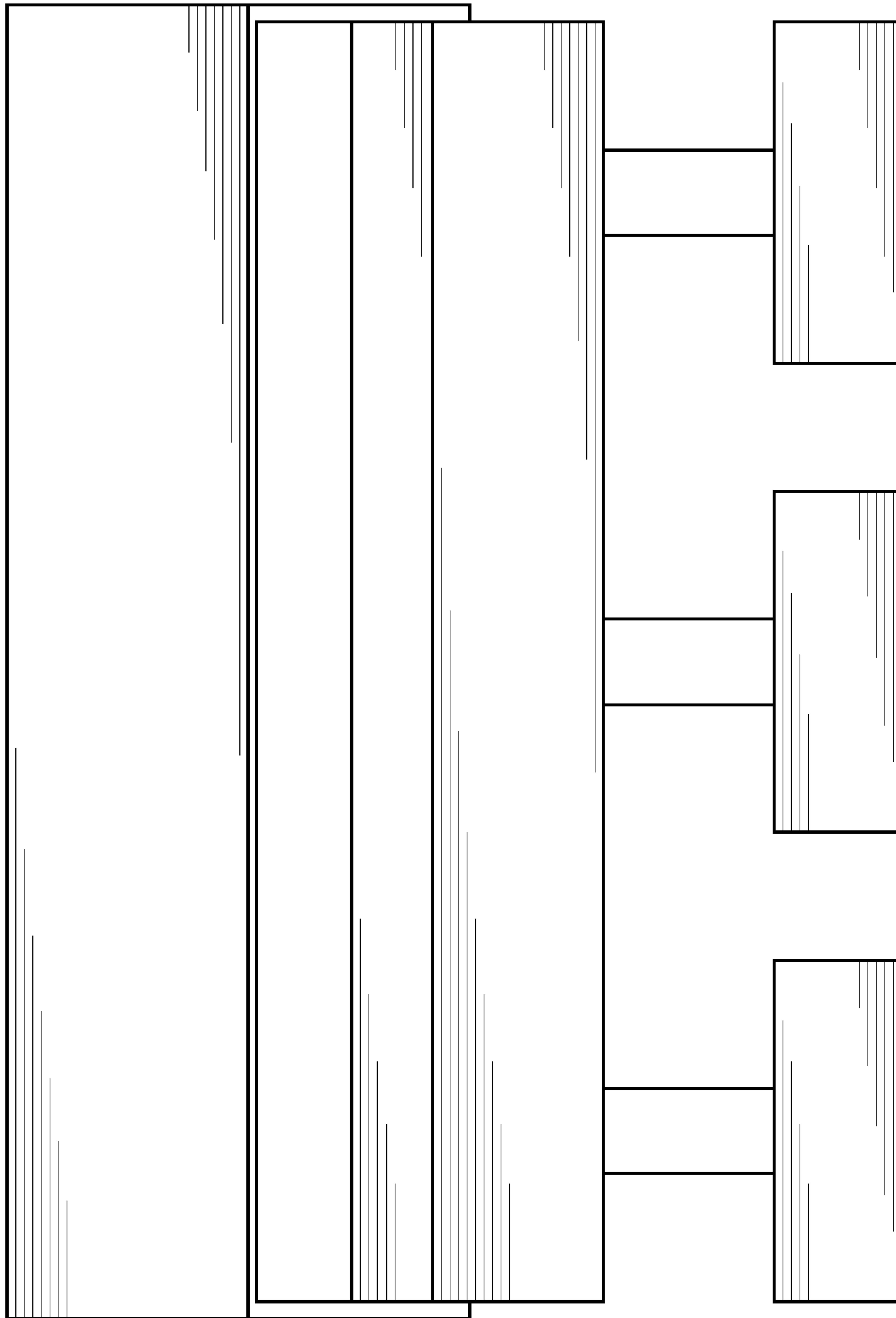


FIG. 7

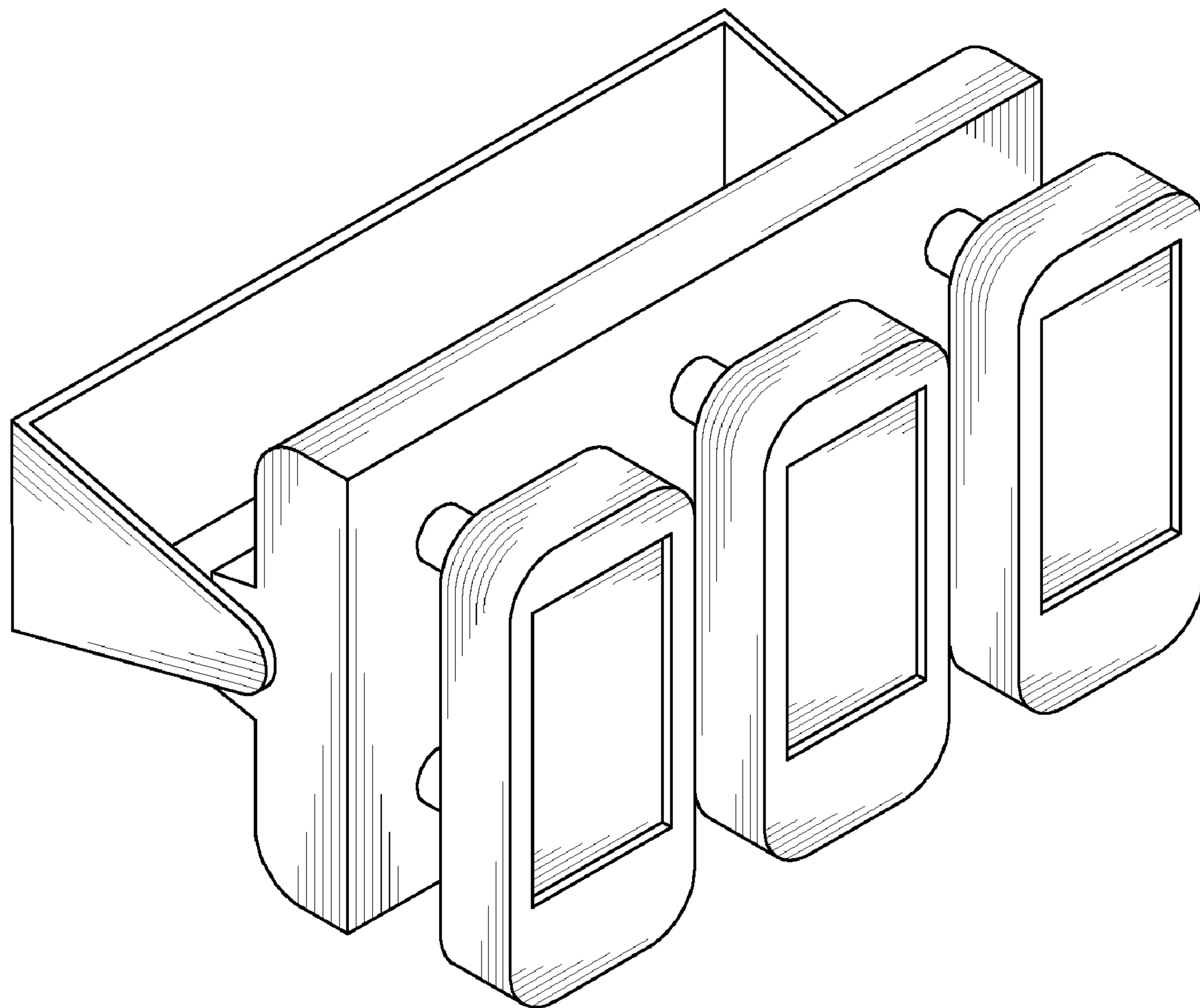


FIG. 8

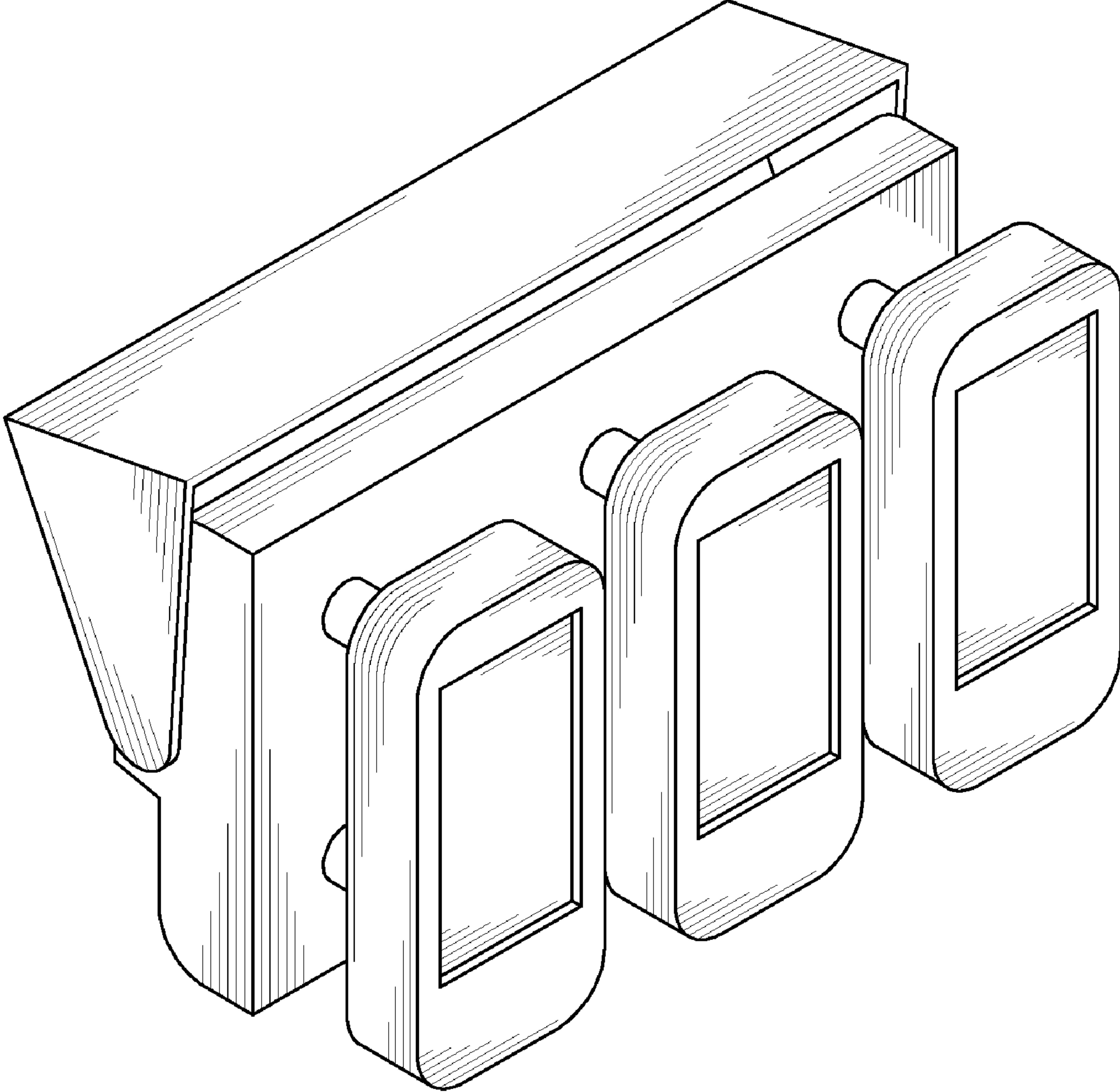


FIG. 9