



US00D625456S

(12) **United States Design Patent**
Sonneman

(10) **Patent No.:** **US D625,456 S**

(45) **Date of Patent:** **** Oct. 12, 2010**

(54) **LAMP**

(76) **Inventor:** **Robert A. Sonneman**, 5 Katie La.,
Mamaroneck, NY (US) 10543

(**) **Term:** **14 Years**

(21) **Appl. No.:** **29/355,330**

(22) **Filed:** **Feb. 5, 2010**

(51) **LOC (9) Cl.** **26-03**

(52) **U.S. Cl.** **D26/85; D26/88**

(58) **Field of Classification Search** D26/85-91,
D26/118, 128; 362/147, 404-408, 432
See application file for complete search history.

(56) **References Cited**

U.S. PATENT DOCUMENTS

D51,983 S *	4/1918	Guth	D26/88
D54,510 S *	2/1920	Owen	D26/88
D86,313 S *	2/1932	Hollister	D26/88
D167,080 S *	6/1952	Huegel	D26/88
D168,718 S *	1/1953	Springer	D26/86
D210,015 S *	1/1968	Kahn	D22/123
D212,708 S *	11/1968	Mayer et al.	D26/86
D300,372 S *	3/1989	O'Dohanue et al.	D26/67

D370,545 S *	6/1996	Porter	D26/88
D426,913 S *	6/2000	Johnson	D26/153
D604,007 S *	11/2009	Silver	D26/88

* cited by examiner

Primary Examiner—Clare E Heflin

(74) *Attorney, Agent, or Firm*—Gottlieb, Rackman & Reisman, P.C.

(57) **CLAIM**

The ornamental design for lamp, as shown and described.

DESCRIPTION

FIG. 1 is a perspective view thereof;

FIG. 2 is a top plan view thereof;

FIG. 3 is a front elevational view thereof;

FIG. 4 is a right side elevational view thereof;

FIG. 5 is a rear elevational view thereof; and,

FIG. 6 is a bottom plan view thereof.

The broken lines shown on the drawings depict portions of the lamp that form no part of the claimed design.

1 Claim, 3 Drawing Sheets

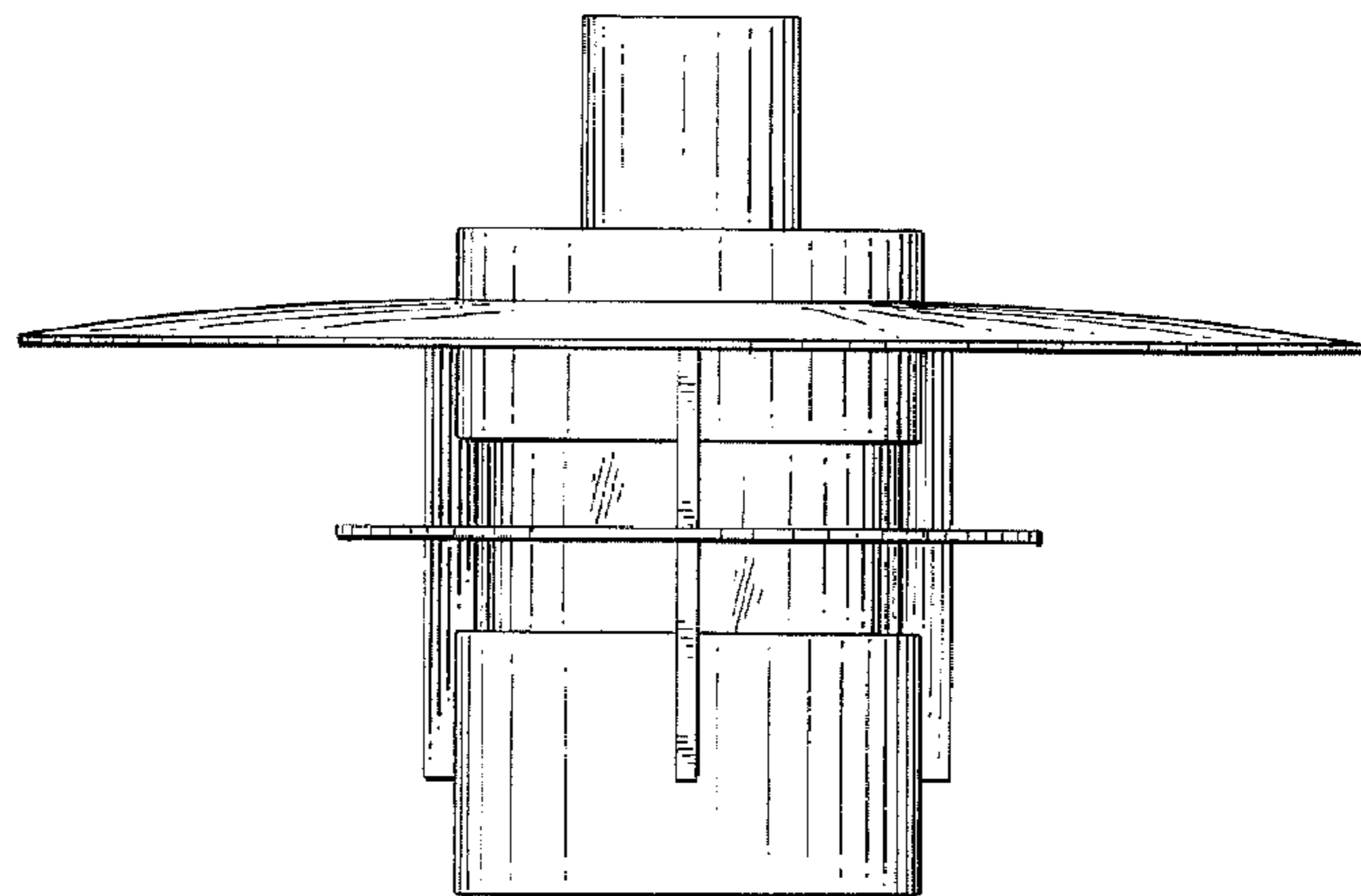
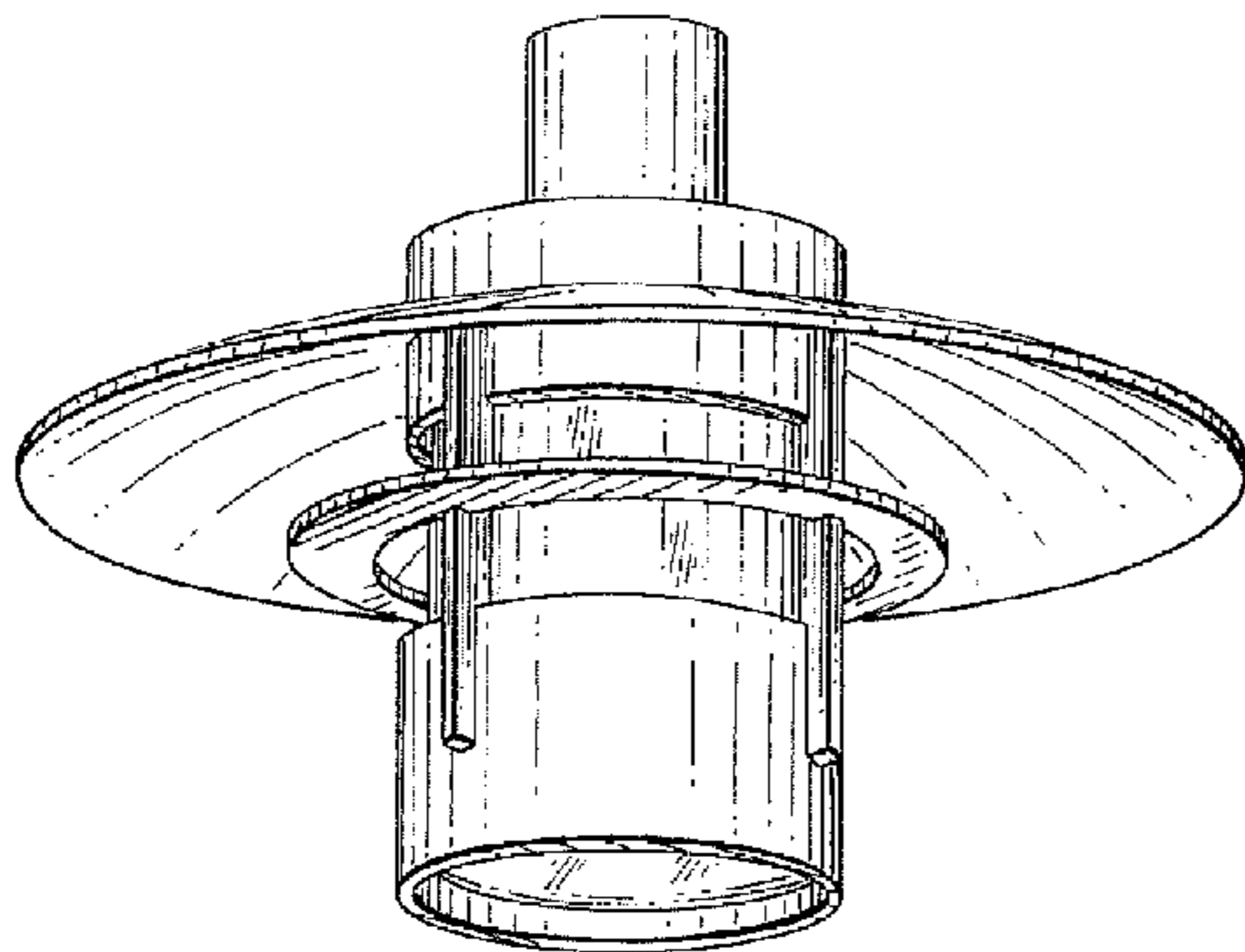


FIG. 1

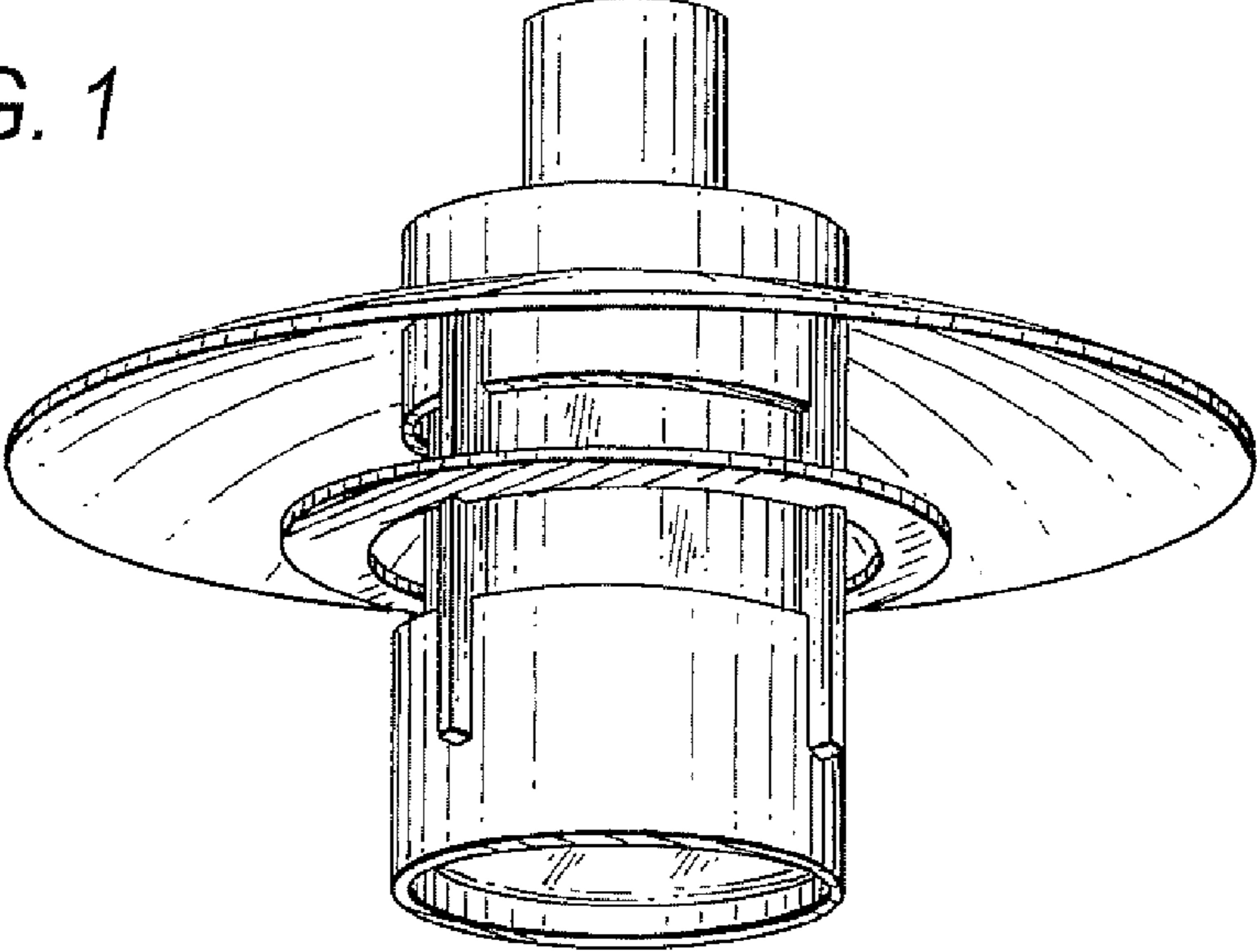


FIG. 2

