



US00D625454S

(12) **United States Design Patent**
Lundin

(10) **Patent No.:** **US D625,454 S**
(45) **Date of Patent:** **** Oct. 12, 2010**

(54) **STREET LAMP POST WITH SMALL FORM FACTOR BULB**

(75) Inventor: **Eric H. M. Lundin**, Ventura, CA (US)

(73) Assignee: **Topanga Technologies, Inc.**, Canoga Park, CA (US)

(**) Term: **14 Years**

(21) Appl. No.: **29/356,050**

(22) Filed: **Feb. 18, 2010**

Related U.S. Application Data

(62) Division of application No. 29/330,626, filed on Jan. 10, 2009, now Pat. No. Des. 612,526.

(51) **LOC (9) Cl.** **26-05**

(52) **U.S. Cl.** **D26/71**

(58) **Field of Classification Search** D26/67-73,
D26/85, 92, 94, 107; 362/145, 152, 183,
362/294, 373, 414, 431, 545; D25/127; D11/121,
D11/125

See application file for complete search history.

(56) **References Cited**

U.S. PATENT DOCUMENTS

D37,742 S	12/1905	Davis	
D84,685 S *	7/1931	Egli	D26/107
D95,459 S *	4/1935	Schwarz	D26/107
2,645,440 A	7/1953	Heistand	
D174,883 S *	5/1955	Millerbernd	D25/127
3,798,438 A *	3/1974	Menichetti	362/282
D233,784 S *	11/1974	Selden	D25/127
4,053,761 A *	10/1977	Brinkley	362/413
D305,071 S	12/1989	Tripp	
4,975,655 A	12/1990	Dawson et al.	
D323,408 S	1/1992	Butler	
D377,230 S	1/1997	Parris	
5,686,793 A	11/1997	Turner et al.	
D391,004 S *	2/1998	Porter et al.	D26/107
5,777,857 A	7/1998	Degelmann	
D400,000 S	10/1998	Hatfield et al.	
D401,004 S *	11/1998	Eusterbrock	D26/107

5,838,108 A	11/1998	Frank et al.	
5,886,480 A	3/1999	Penzenstadler et al.	
5,923,122 A	7/1999	Frank et al.	
D423,131 S	4/2000	Giese et al.	
D440,000 S *	4/2001	Milicia	D26/68
6,241,369 B1	6/2001	Mackiewicz	
6,367,953 B1	4/2002	Lee	

(Continued)

OTHER PUBLICATIONS

“Eurotique Arm Style # E4K4/1 EA-19;” Antique Street Lamps Brochure from Acuity Brands; p. 12;. Downloaded from Internet http://www.acuitybrands.com/Brands/Lighting/Antique_Street_Lamps.aspx; Dec. 21, 2008; 1 page total.

(Continued)

Primary Examiner—Clare E Heflin
(74) *Attorney, Agent, or Firm*—Townsend and Townsend and Crew LLP

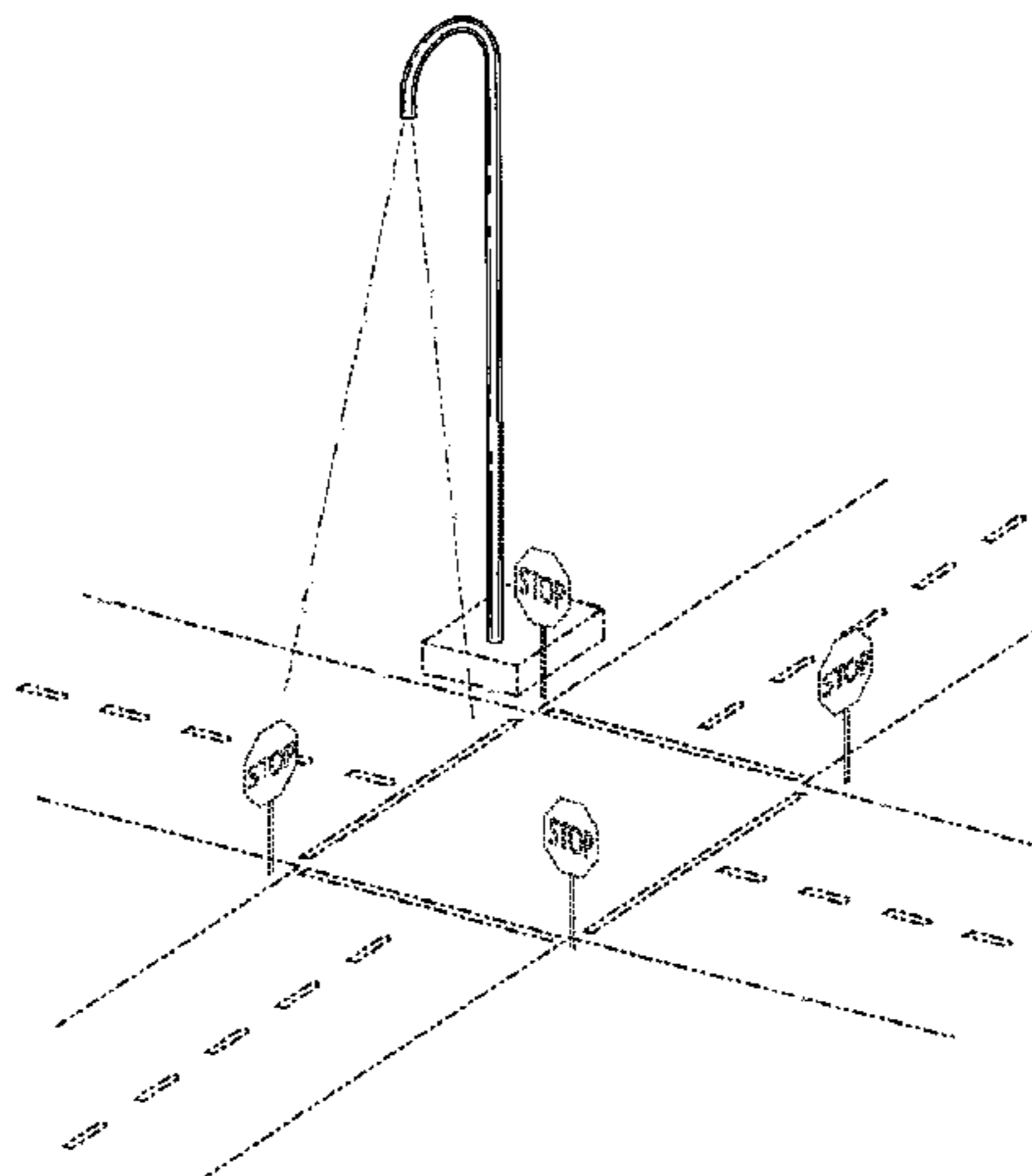
(57) **CLAIM**

The ornamental design for a street lamp post with small form factor bulb, as shown and described.

DESCRIPTION

FIG. 1 is a perspective view of the street lamp post with small form factor bulb showing my new design;
FIG. 2 is a front perspective view thereof;
FIG. 3 is a side elevation view thereof; and,
FIG. 4 is a top plan view thereof.
The broken lines shown on the drawings represent environment only and form no part of the claimed design.

1 Claim, 3 Drawing Sheets



US D625,454 S

Page 2

U.S. PATENT DOCUMENTS

D464,018 S 10/2002 Anderson
D464,159 S 10/2002 Peloquin
6,476,557 B1 11/2002 Leng et al.
6,617,806 B2 9/2003 Kirkpatrick et al.
D489,477 S 5/2004 Maldonado
6,737,809 B2 5/2004 Espiau et al.
6,922,021 B2 7/2005 Espiau et al.
D530,443 S 10/2006 Rausch
7,119,641 B2 10/2006 Petrov et al.
D555,280 S 11/2007 Quintana-Creus et al.
D557,853 S 12/2007 Sandell
7,348,732 B2 3/2008 Espiau et al.
7,350,936 B2 4/2008 Ducharme et al.
7,358,678 B2 4/2008 Espiau et al.
7,362,054 B2 4/2008 Espiau et al.
7,362,055 B2 4/2008 Espiau et al.
7,362,056 B2 4/2008 Espiau et al.

7,372,209 B2 5/2008 Espiau et al.
7,391,158 B2 6/2008 Espiau et al.
D574,540 S 8/2008 Citterio
D589,642 S * 3/2009 Chen D26/107
D612,526 S 3/2010 Lundin
2006/0250090 A9 11/2006 Guthrie
2007/0159836 A1 7/2007 Huang et al.

OTHER PUBLICATIONS

“Geo Lightstack;” Woodhouse, Warwickshire, United Kingdom;
Downloaded from Internet <http://woodhouse.co.uk>; Mar. 25, 2009, 2
pages total.

Requirement for Restriction/Election for U.S. Appl. No. 29/330,626,
mailed on Sep. 28, 2009, 9 pages.

Notice of Allowance for U.S. Appl. No. 29/330,626, mailed on Nov.
17, 2009, 6 pages.

* cited by examiner

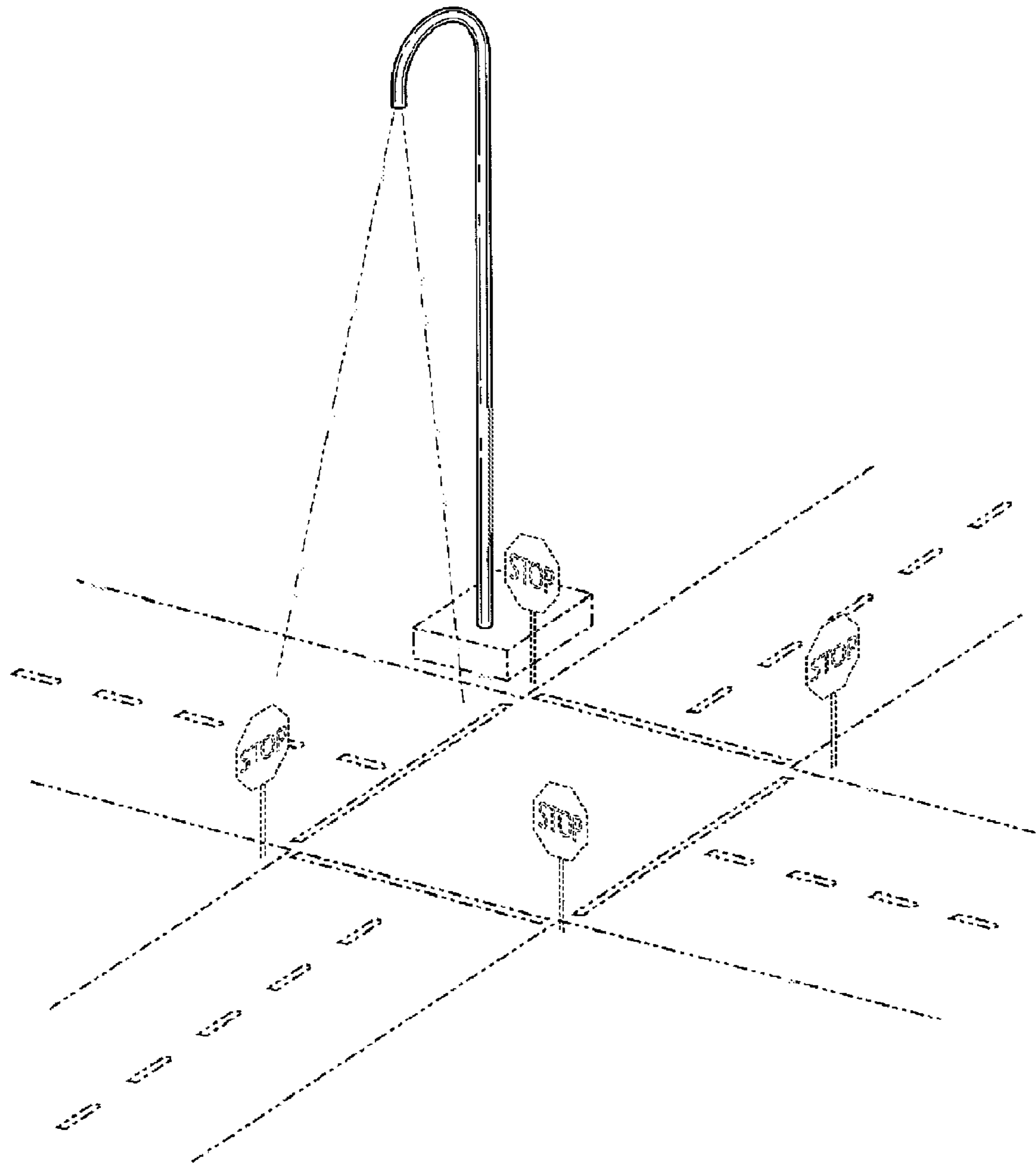


Figure 1

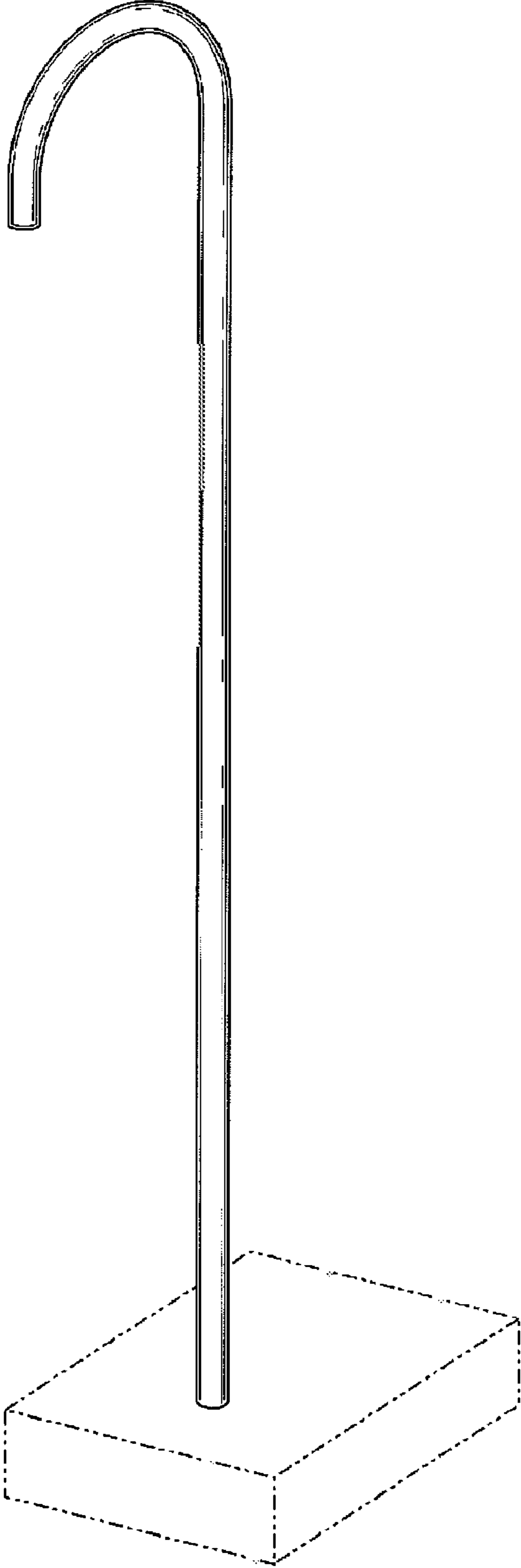


Figure 2

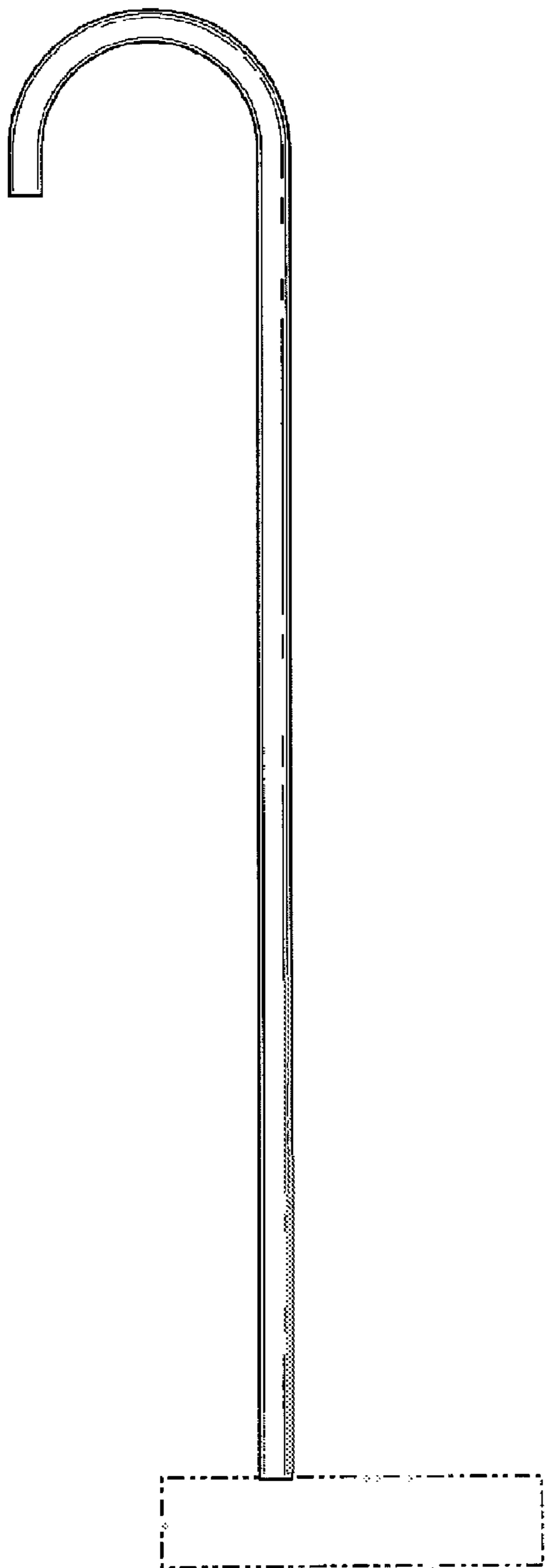


Figure 3

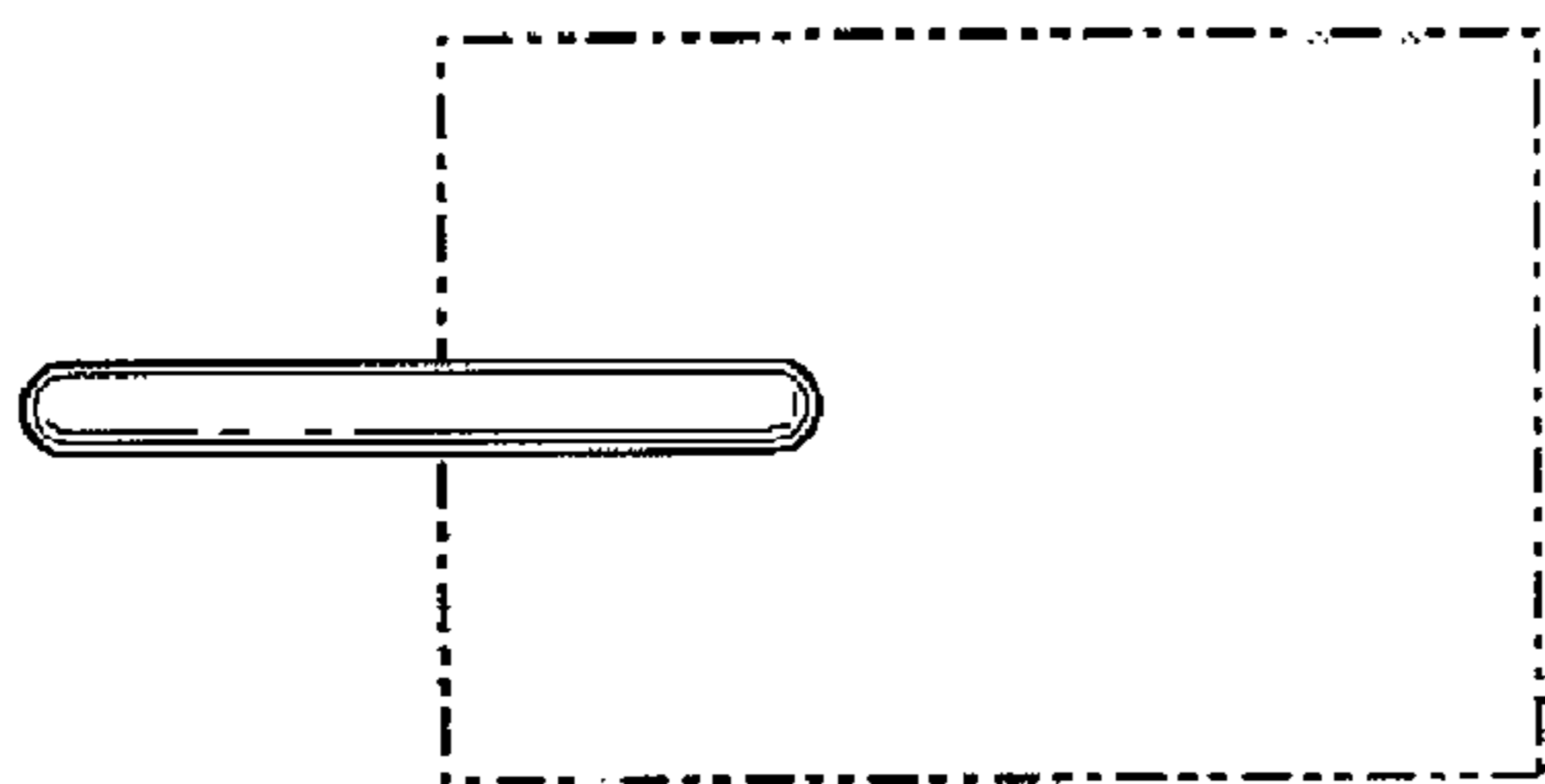


Figure 4