



US00D625453S

(12) **United States Design Patent**
Morton et al.

(10) **Patent No.:** **US D625,453 S**
(45) **Date of Patent:** **** Oct. 12, 2010**

(54) **LIGHT FIXTURE**

(75) Inventors: **David L. Morton**, Sandy, UT (US);
Arthur Lee Dietrich-Croy, Salt Lake
City, UT (US); **Tyler Fredric Allan**,
Springville, UT (US); **John Richard**
Omdahl, II, Lindon, UT (US)

(73) Assignee: **Fertile Earth Systems, Inc.**, Sandy, UT
(US)

(**) Term: **14 Years**

(21) Appl. No.: **29/336,456**

(22) Filed: **May 4, 2009**

(51) **LOC (9) Cl.** **26-05**

(52) **U.S. Cl.** **D26/68**

(58) **Field of Classification Search** D26/67,
D26/68, 85-92, 118, 128; 362/147, 363,
362/404-408, 431, 432

See application file for complete search history.

(56) **References Cited**

U.S. PATENT DOCUMENTS

D99,661 S *	5/1936	Gosling	D26/68
D196,669 S *	10/1963	Lasker	D26/87
D204,302 S *	4/1966	Pauli	D26/24
D215,474 S *	10/1969	Moore	D26/140
D310,268 S *	8/1990	Shalvi	D26/67
D324,432 S *	3/1992	Frost	D26/67
D324,433 S *	3/1992	Camino et al.	D26/67
D347,485 S *	5/1994	Kira	D26/67
D348,944 S *	7/1994	Shalvi	D26/67
D501,947 S *	2/2005	Haugaard et al.	D26/71
D531,342 S *	10/2006	Kauffman et al.	D26/68

* cited by examiner

Primary Examiner—Clare E Heflin

(74) *Attorney, Agent, or Firm*—Workman Nydegger

(57) **CLAIM**

The ornamental design for a light fixture, as shown and described.

DESCRIPTION

FIG. 1 is a perspective view of a light fixture of the present invention;

FIG. 2 is a front end view of the light fixture of FIG. 1;

FIG. 3 is a back end view of the light fixture of FIG. 1;

FIG. 4 is a side view of the light fixture of FIG. 1, the opposing side view being the mirror image thereof;

FIG. 5 is a top view of the light fixture of FIG. 1; and

FIG. 6 is a bottom view of the light fixture of FIG. 1;

FIG. 7 is a perspective view of another embodiment of a light fixture of the present invention.

FIG. 8 is a front end view of the light fixture of FIG. 7;

FIG. 9 is a back end view of the light fixture of FIG. 7;

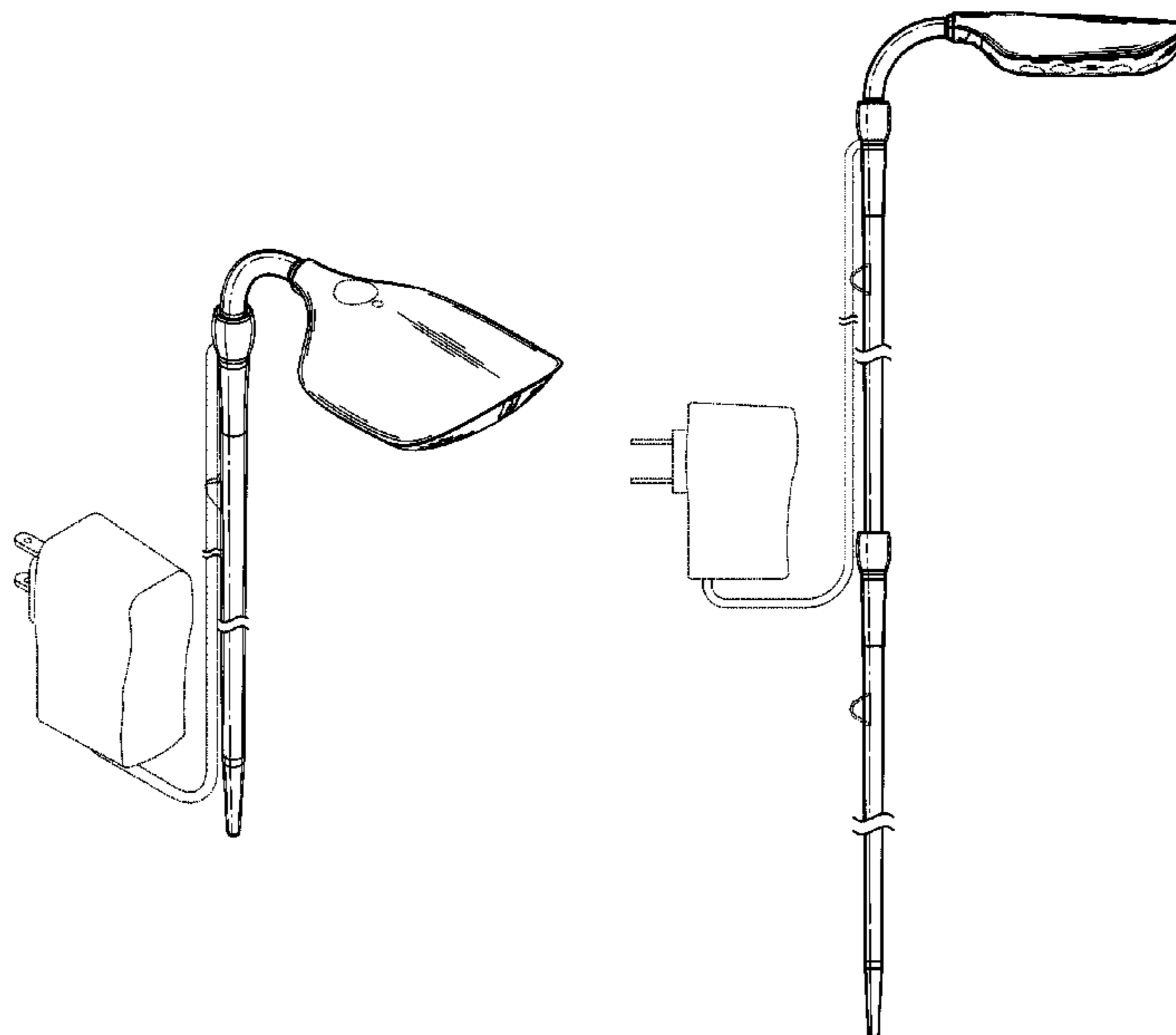
FIG. 10 is a side view of the light fixture of FIG. 7, the opposing side view being the mirror image thereof;

FIG. 11 is a top view of the light fixture of FIG. 7; and,

FIG. 12 is a bottom view of the light fixture of FIG. 7.

The broken, phantom lines shown in the drawings illustrate portions of the light fixture that form no part of the claimed design. The pairs of closely spaced, adjacent, wavy separation lines shown at the separation points along the lengths of the pole of the light fixture form no part of the claimed design, but rather, serve as separation marks to indicate that, for ease of illustration, the precise length of the pole of the light fixture is not claimed.

1 Claim, 8 Drawing Sheets



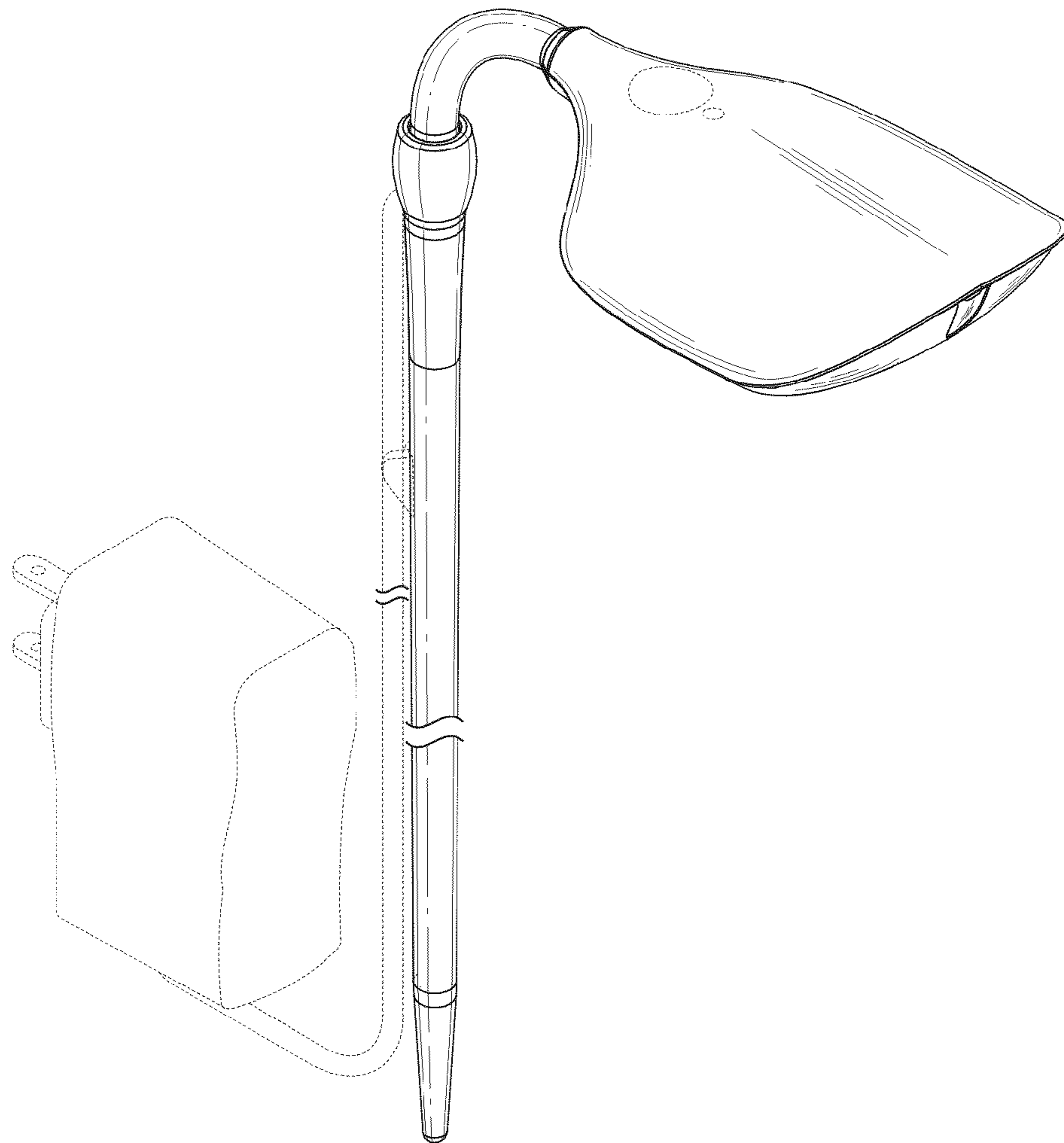


Fig. 1

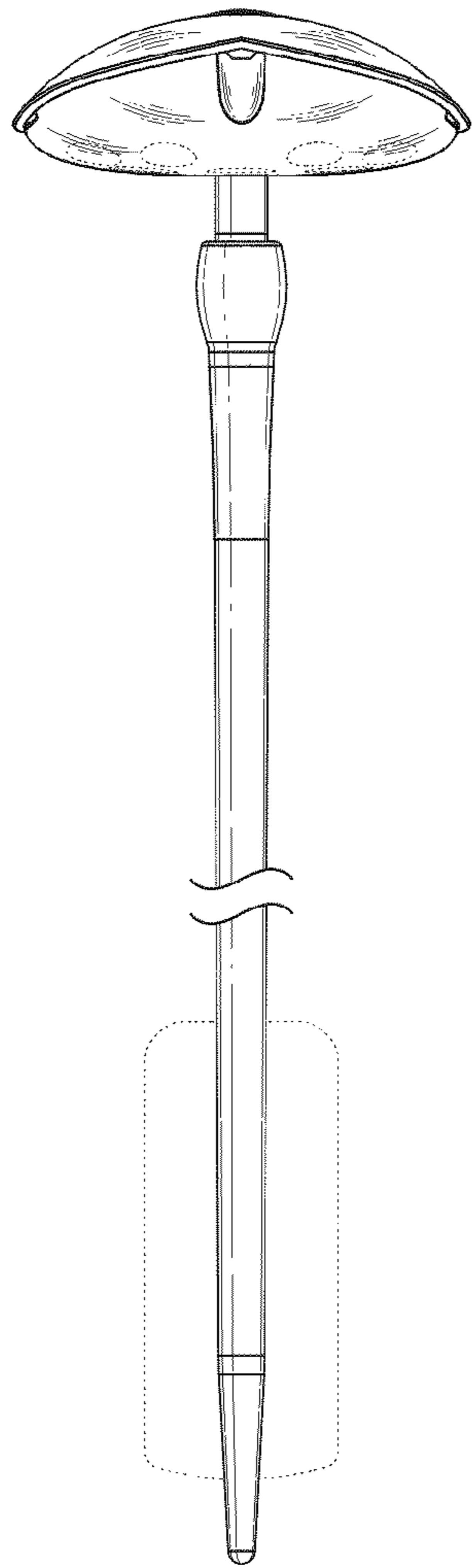


Fig. 2

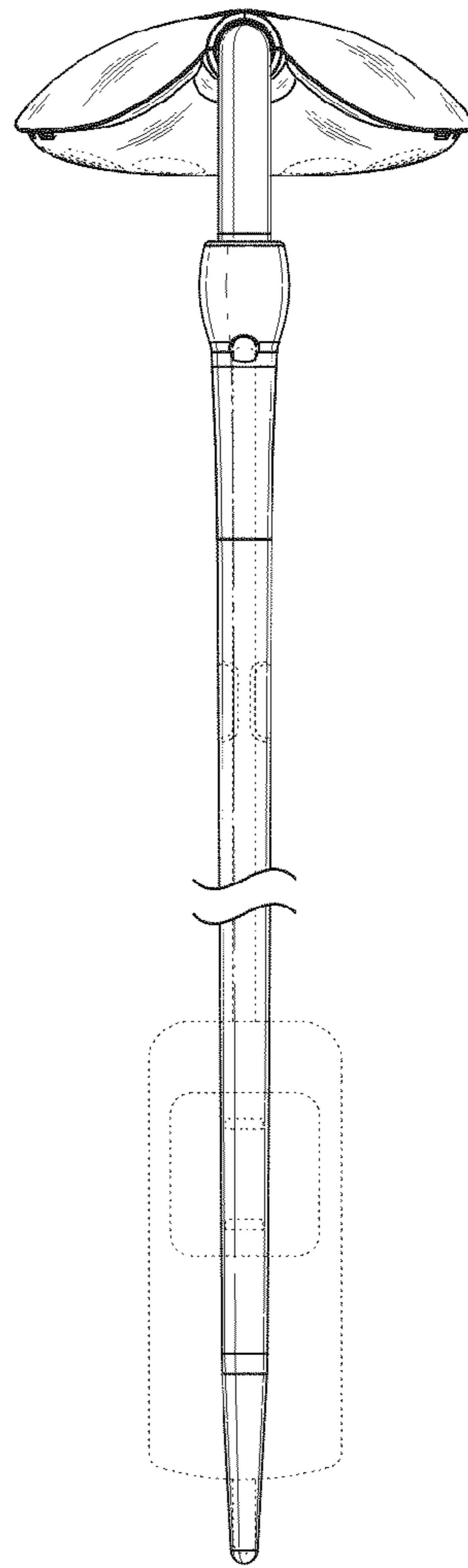


Fig. 3

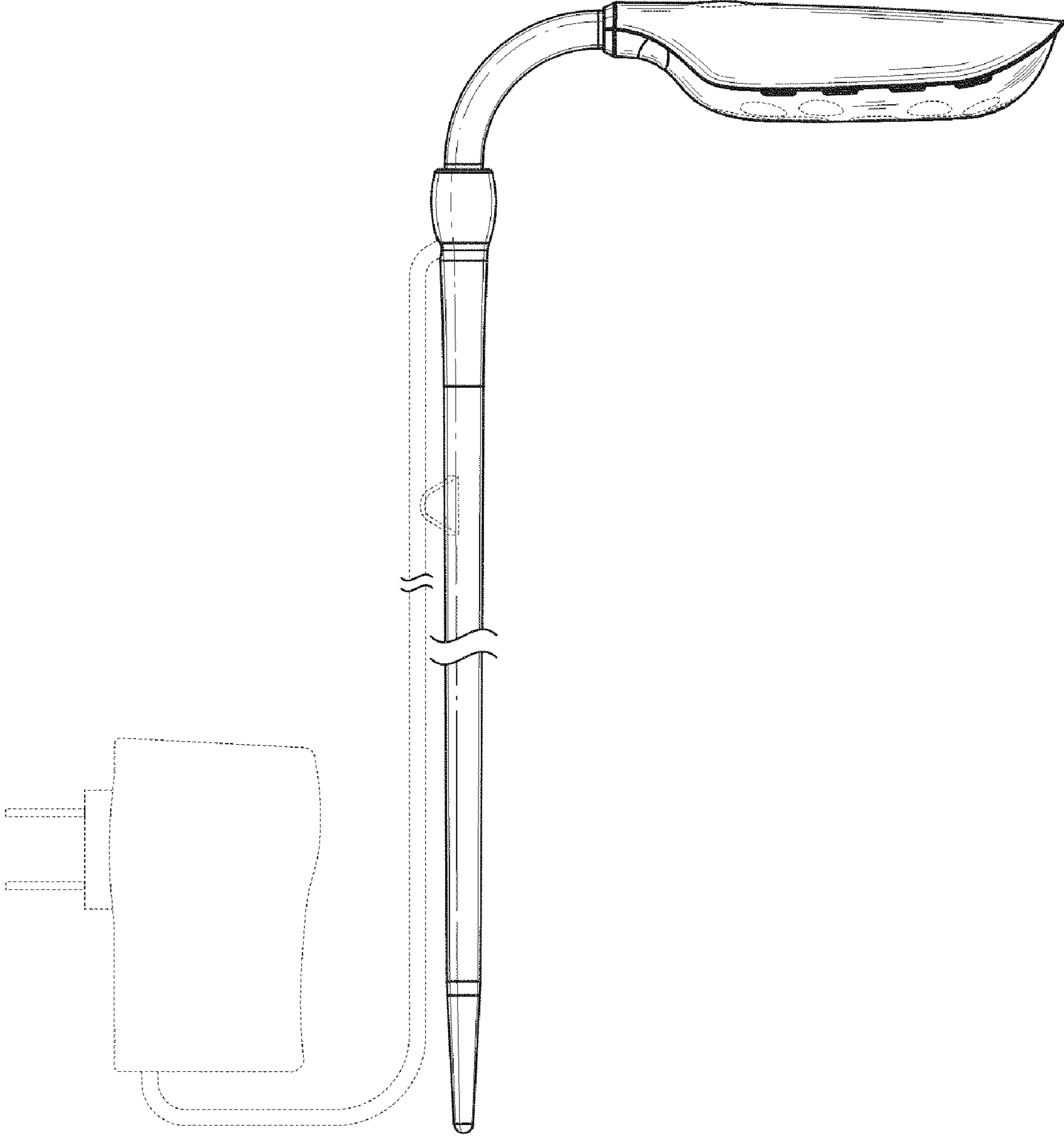


Fig. 4

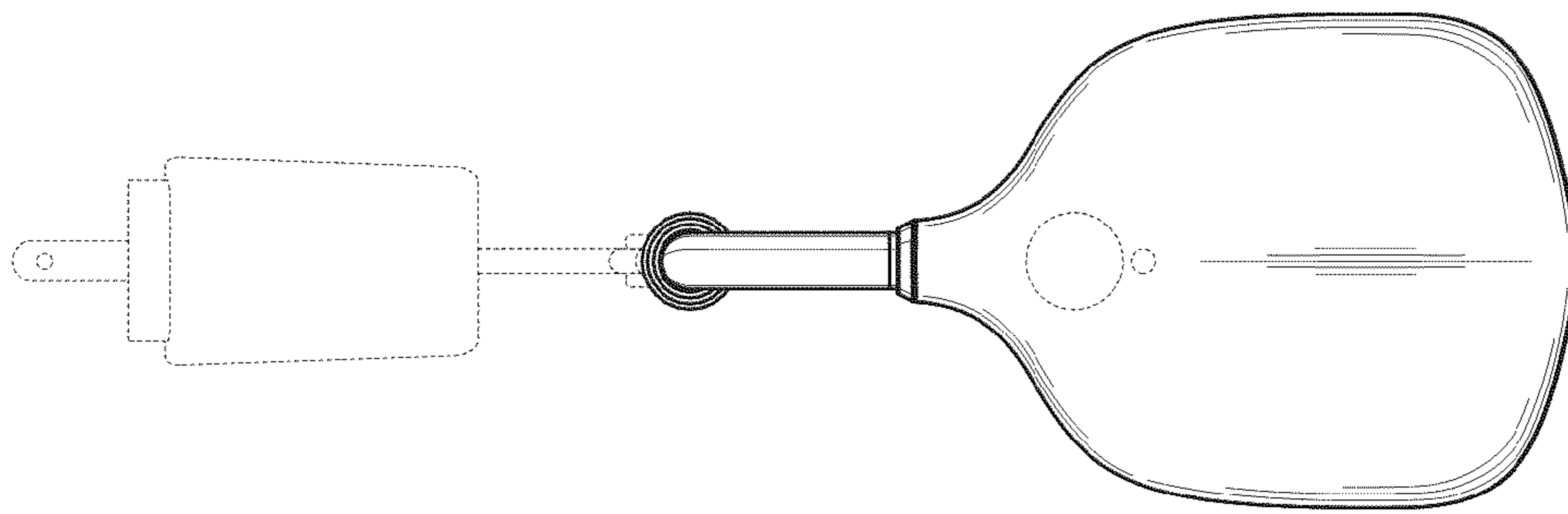


Fig. 5

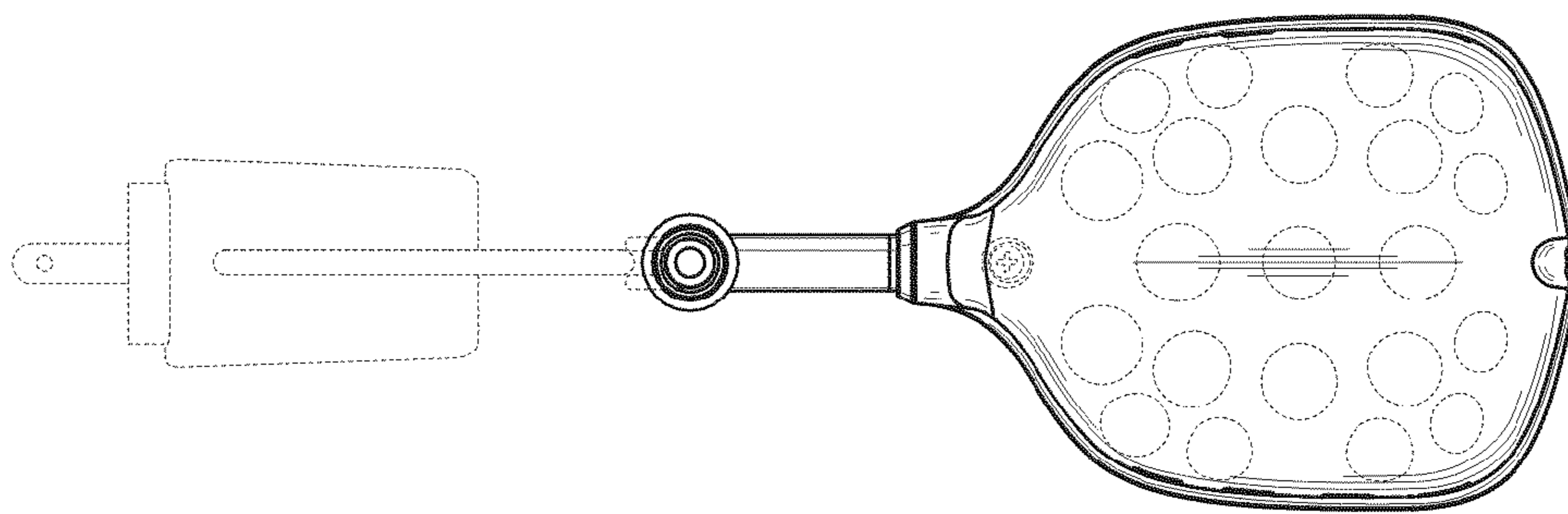


Fig. 6

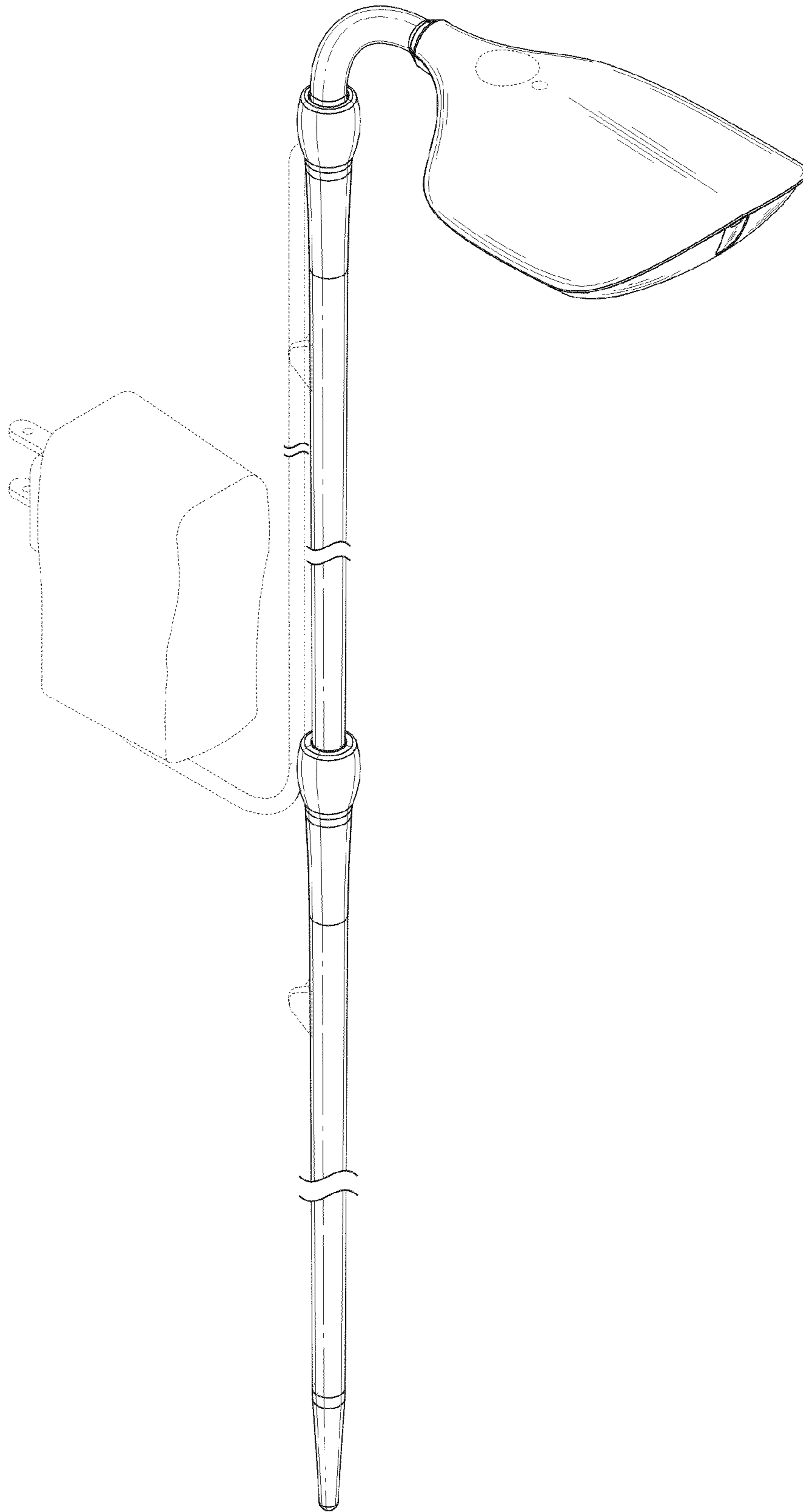


Fig. 7

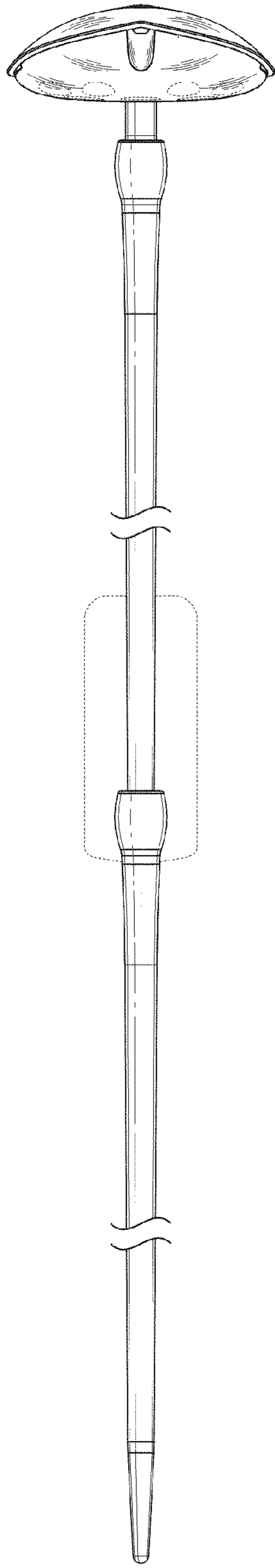


Fig. 8

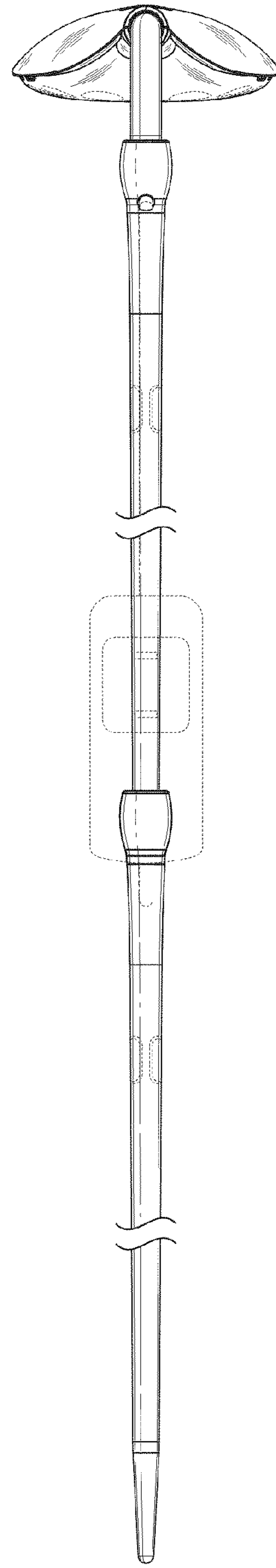


Fig. 9

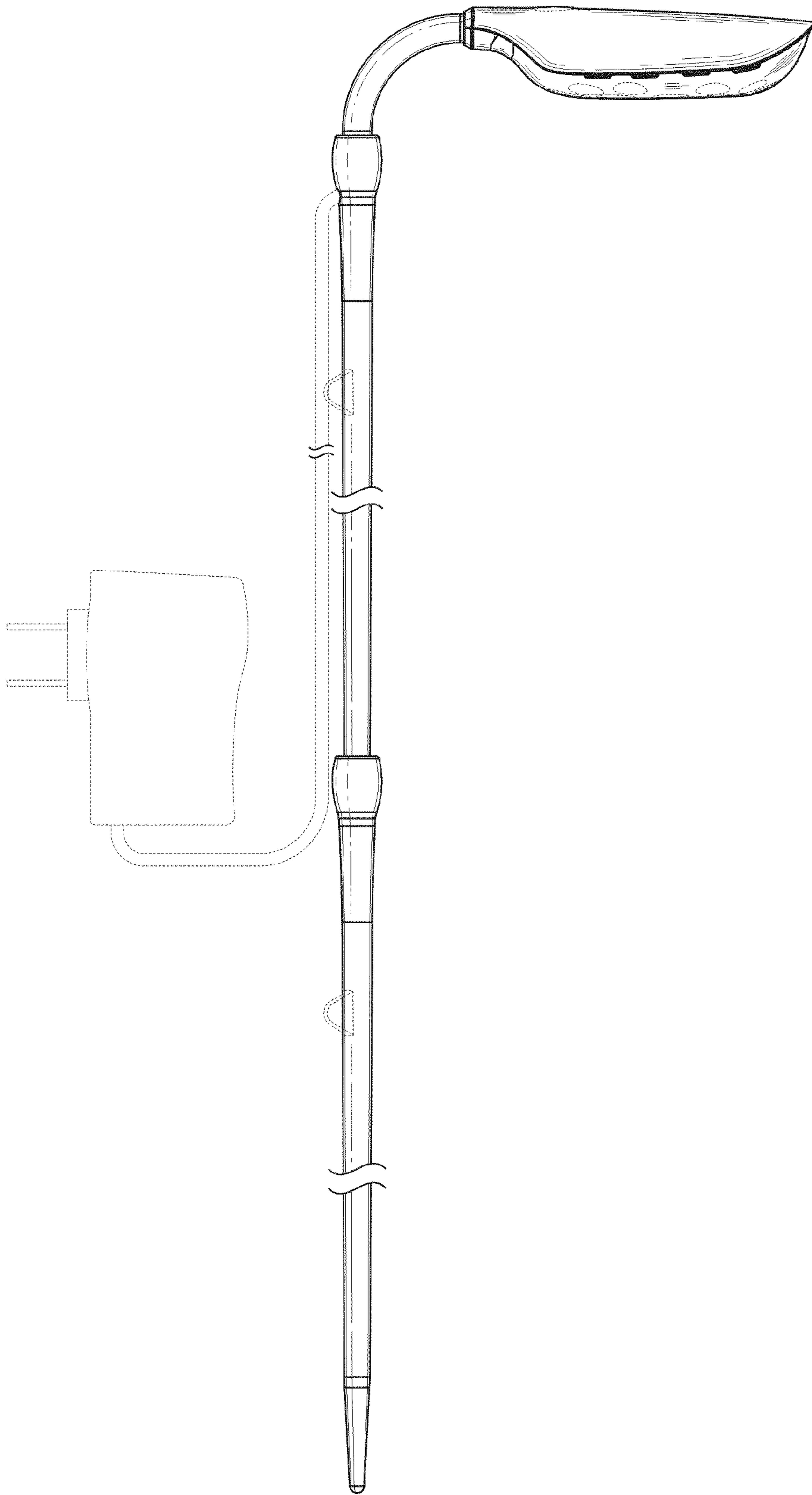


Fig. 10

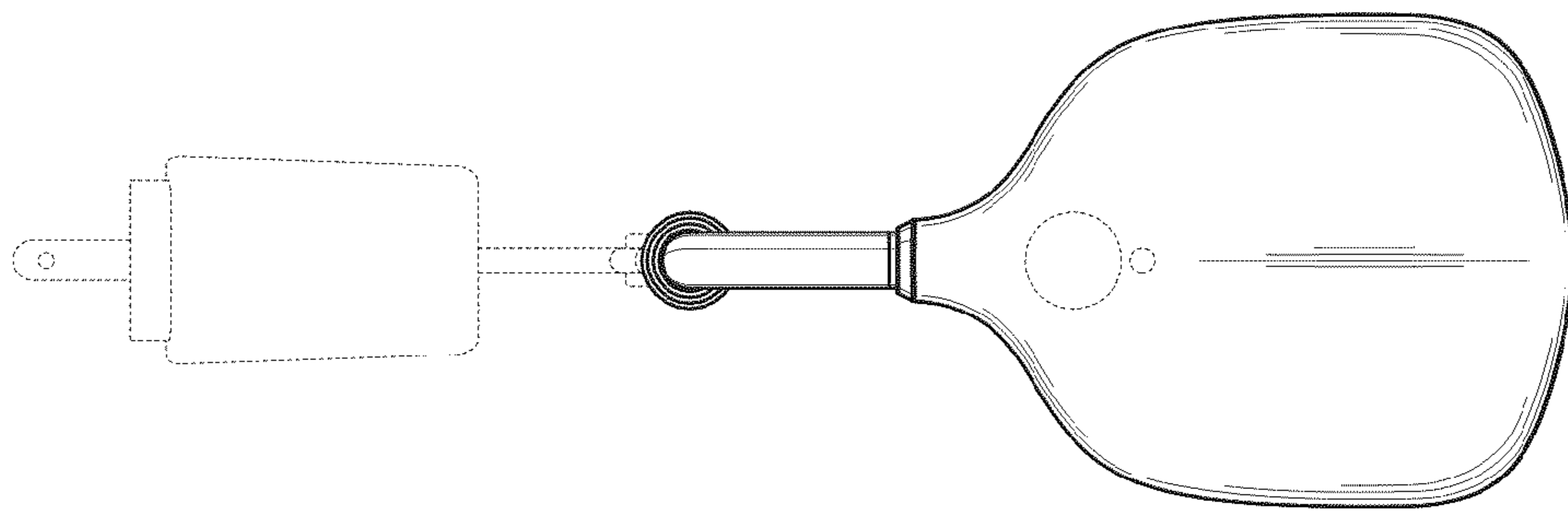


Fig. 11

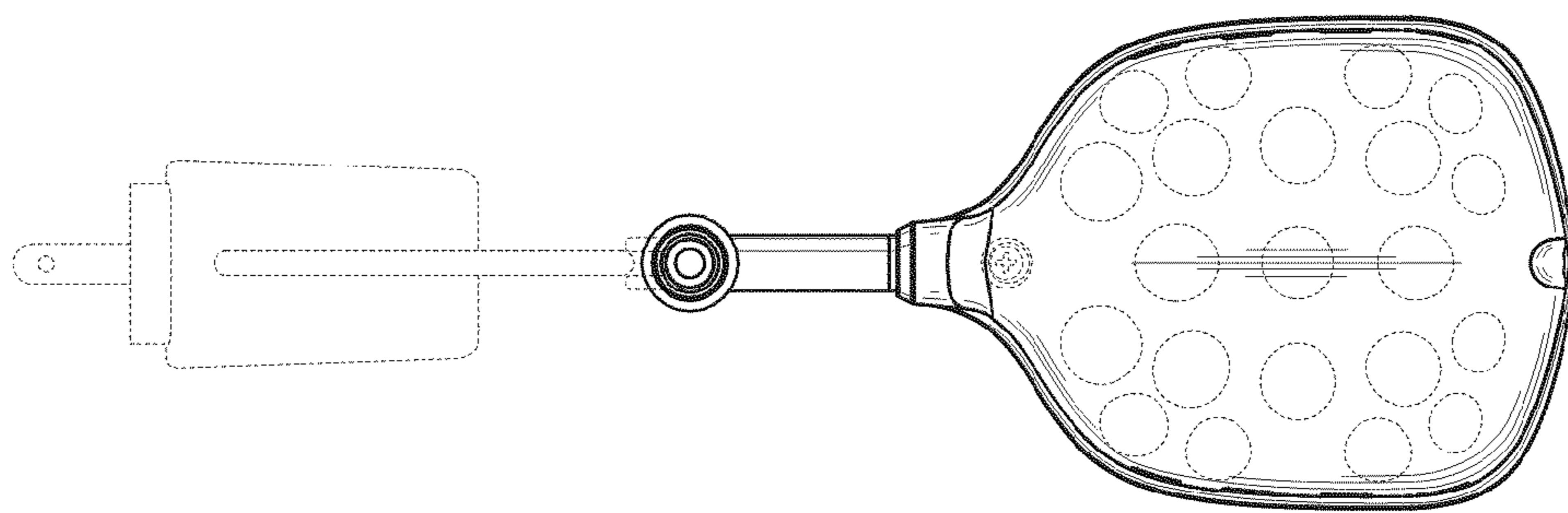


Fig. 12