



US00D625452S

(12) **United States Design Patent**
Yamada

(10) **Patent No.:** **US D625,452 S**

(45) **Date of Patent:** **** Oct. 12, 2010**

(54) **SPOTLIGHT**

(75) Inventor: **Hirokazu Yamada**, Kanagawa (JP)

(73) Assignees: **Toshiba Lighting & Technology Corporation**, Kanagawa (JP);
Kabushiki Kaisha Toshiba, Tokyo (JP)

(**) Term: **14 Years**

(21) Appl. No.: **29/357,125**

(22) Filed: **Mar. 8, 2010**

(30) **Foreign Application Priority Data**

Sep. 24, 2009 (JP) 2009-021868

(51) **LOC (9) Cl.** **26-05**

(52) **U.S. Cl.** **D26/63**

(58) **Field of Classification Search** D26/60-66,
D26/72, 74-93, 102, 118-124; 362/147,
362/148, 220, 269, 270, 274, 275, 277, 278,
362/281-290, 404, 413, 418, 427, 800, 227,
362/211, 213, 225, 232, 235-241, 268, 364,
362/372, 373, 319, 264, 294

See application file for complete search history.

(56) **References Cited**

U.S. PATENT DOCUMENTS

- 5,446,637 A * 8/1995 Cunningham et al. 362/321
- 6,744,693 B2 * 6/2004 Brockmann et al. 362/321
- D563,579 S * 3/2008 Grimberg D26/61
- D566,861 S * 4/2008 Takada et al. D26/1
- D585,589 S * 1/2009 Alexander et al. D26/118
- D605,789 S * 12/2009 Ko D26/28
- 7,637,635 B2 * 12/2009 Xiao et al. 362/294

2008/0080190 A1* 4/2008 Walczak et al. 362/294

* cited by examiner

Primary Examiner—Susan M Lee

Assistant Examiner—Linda G. Brooks

(74) *Attorney, Agent, or Firm*—J.C. Patents

(57) **CLAIM**

The ornamental design for a spotlight, as shown and described.

DESCRIPTION

FIG. 1 is a perspective view of a spotlight showing my new design.

FIG. 2 is a front view thereof, the rear view being a mirror image of the front view.

FIG. 3 is a left side view thereof.

FIG. 4 is a right side view thereof.

FIG. 5 is a top view thereof, the bottom view being identical to the top view.

FIG. 6 is a cross-sectional view taken along line 6—6 in FIG. 4 with the internal parts omitted.

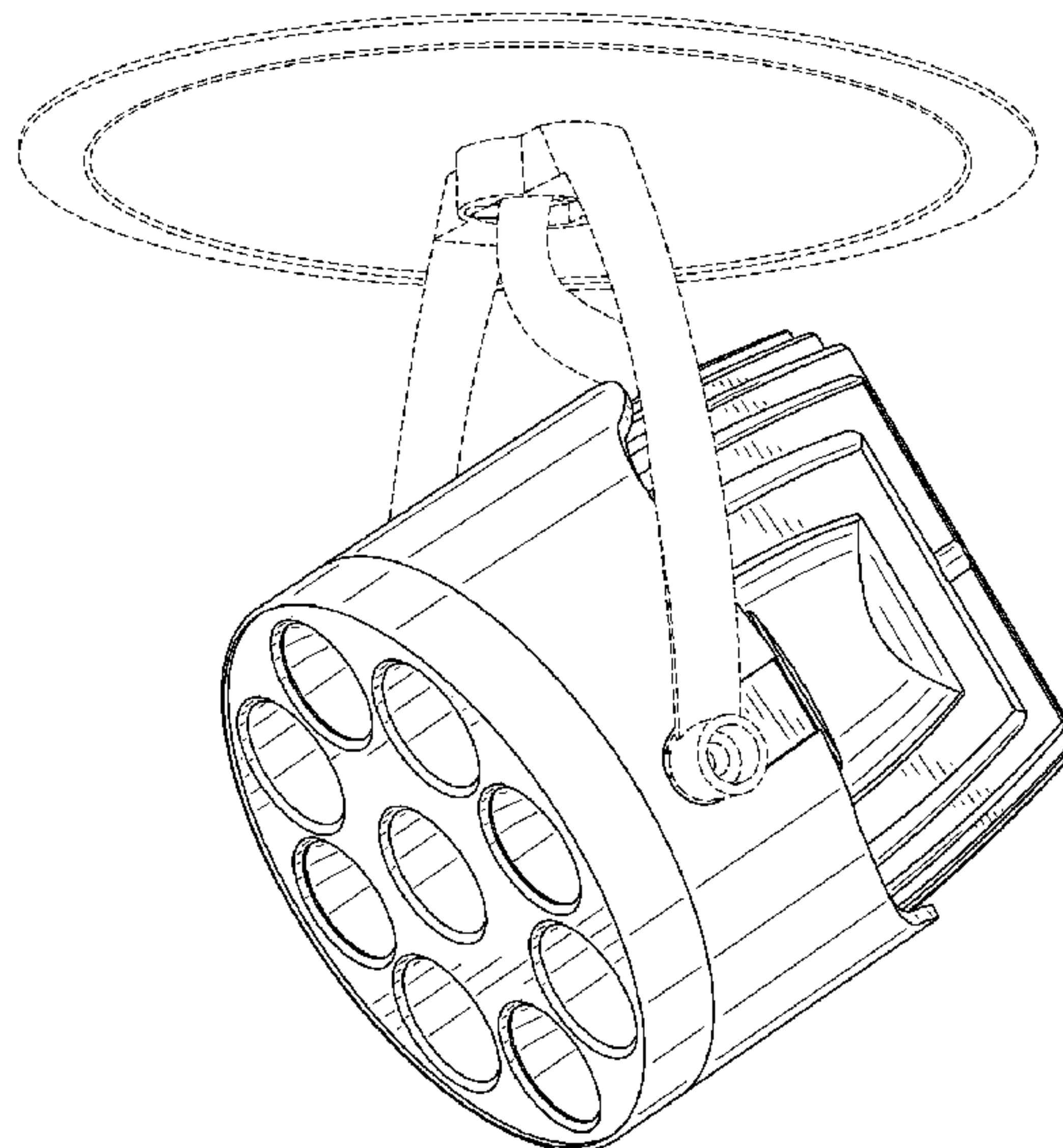
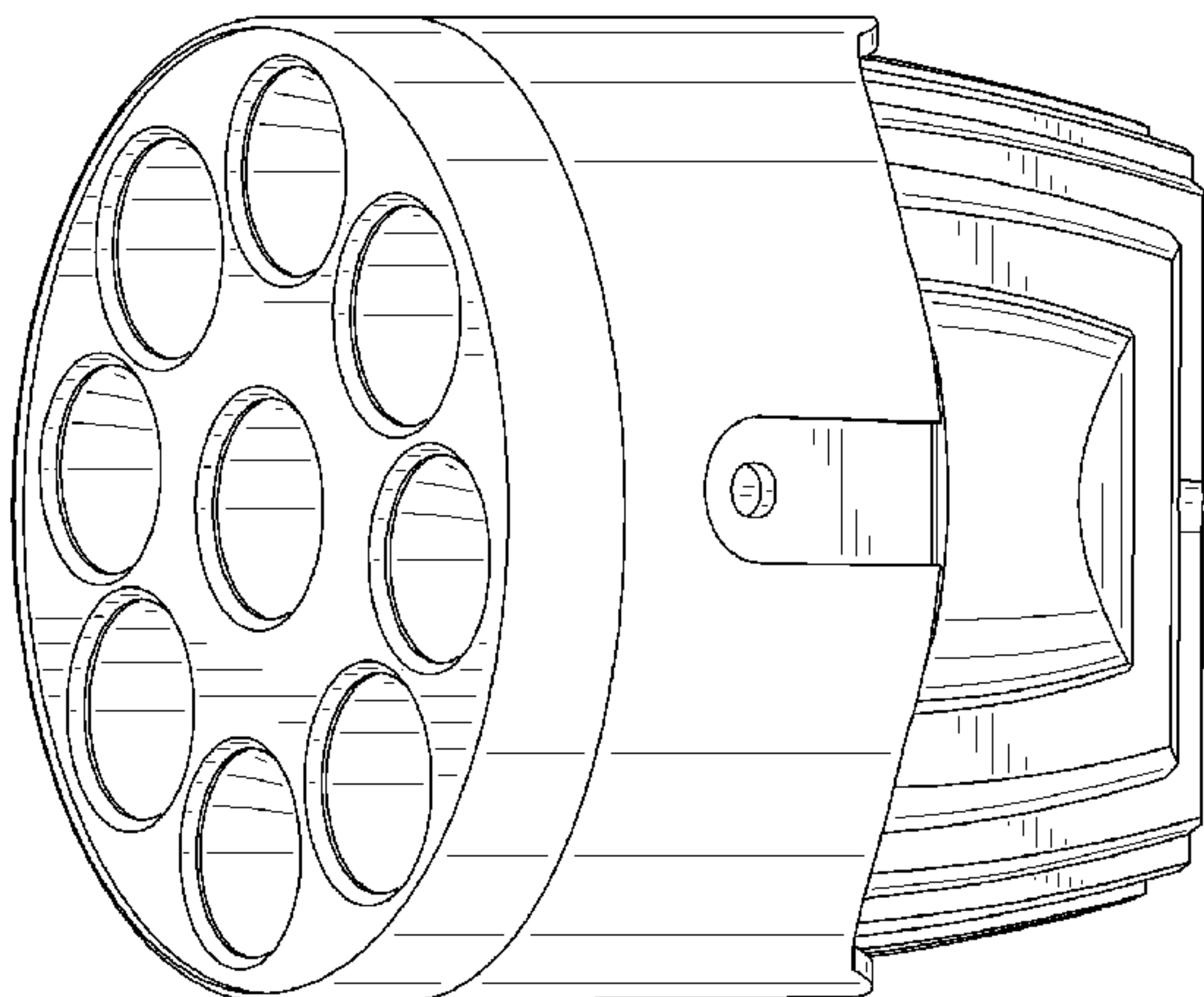
FIG. 7 is a perspective view thereof, shown with environment and in used condition.

FIG. 8 is another perspective view thereof, shown with environment and in used condition; and,

FIG. 9 is yet another perspective view thereof, shown with environment and in used condition.

The broken line portion of the figure drawings is included for the purpose of illustrating environment and forms no part of the claimed design.

1 Claim, 9 Drawing Sheets



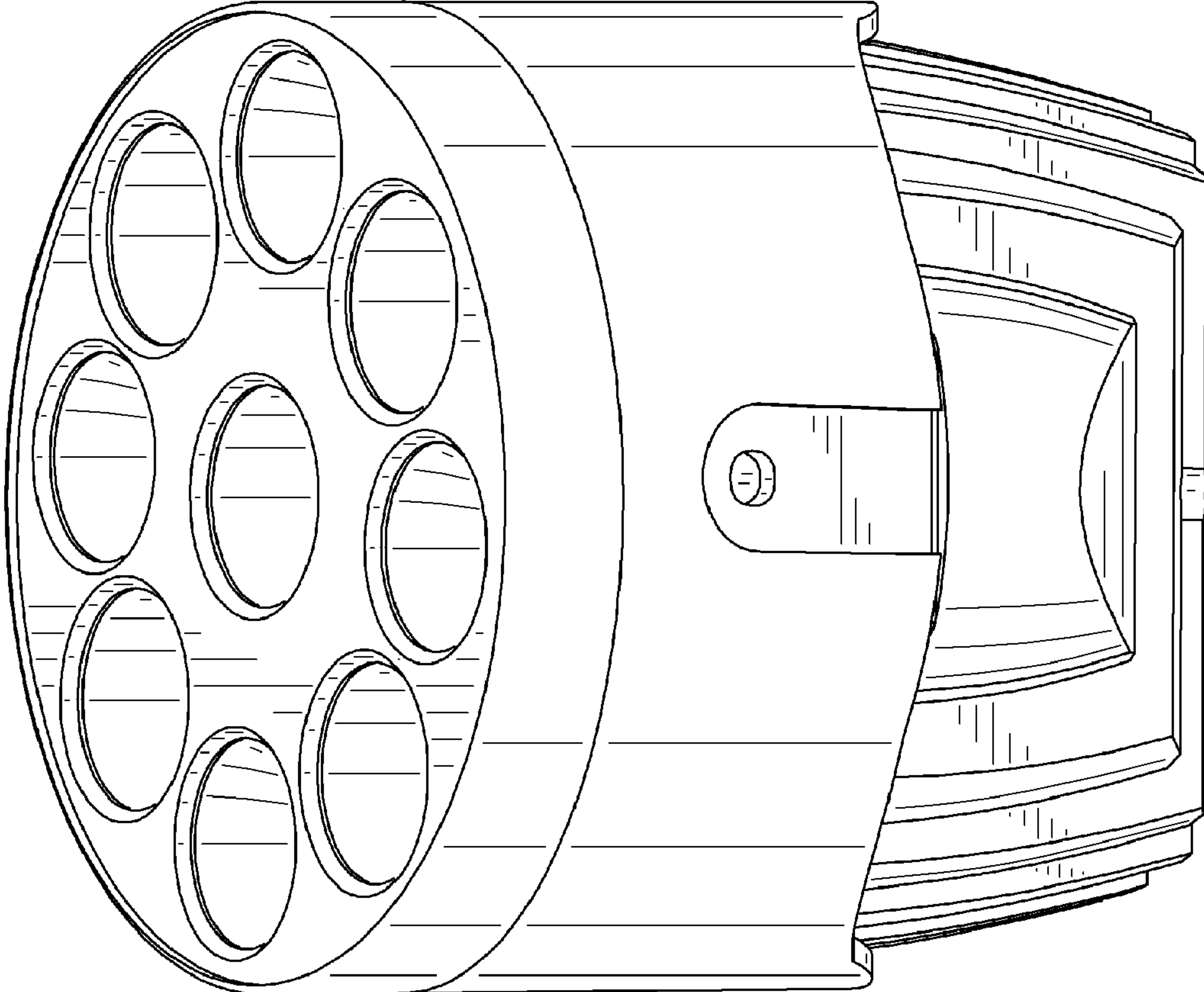


FIG. 1

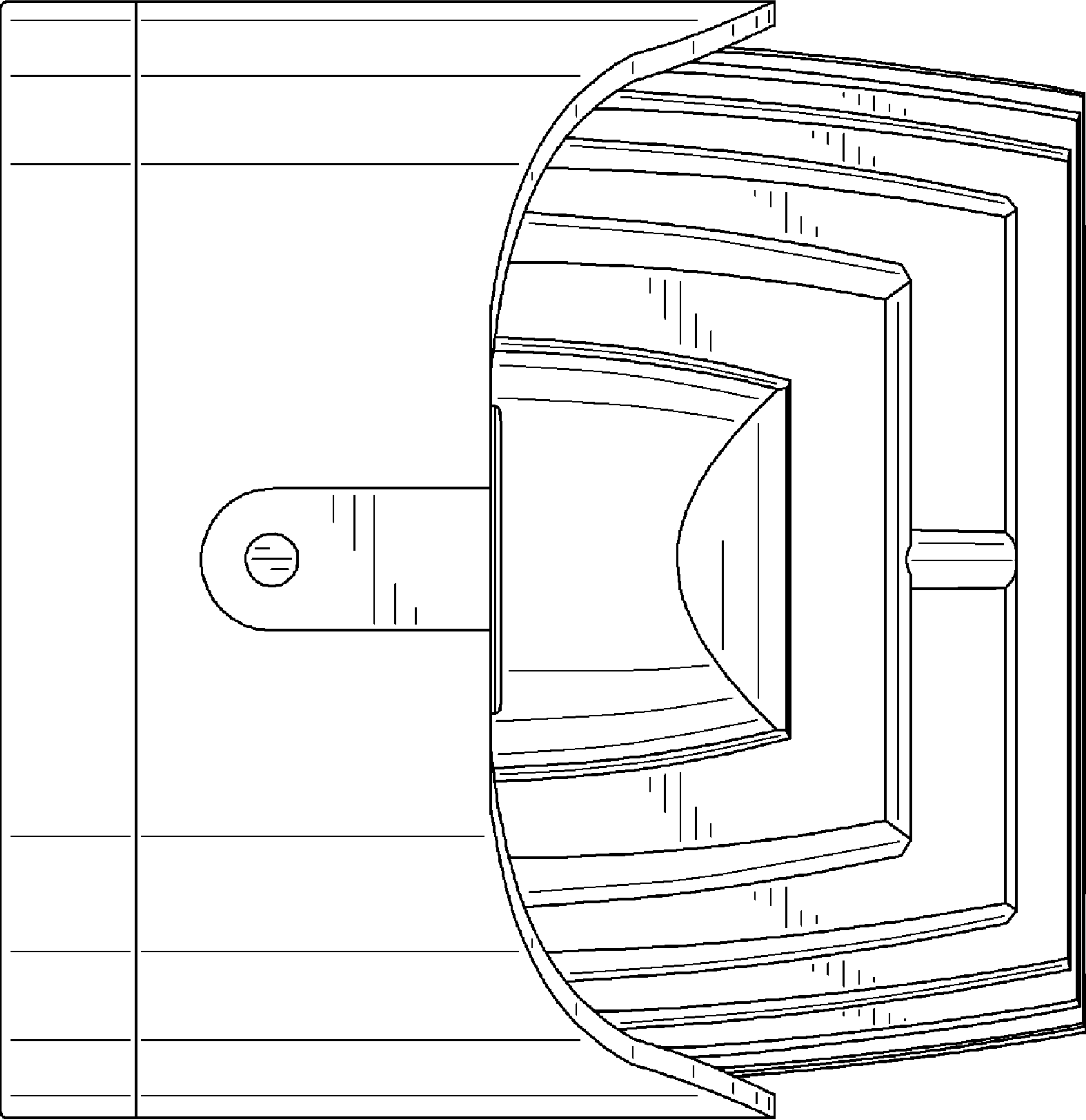


FIG. 2

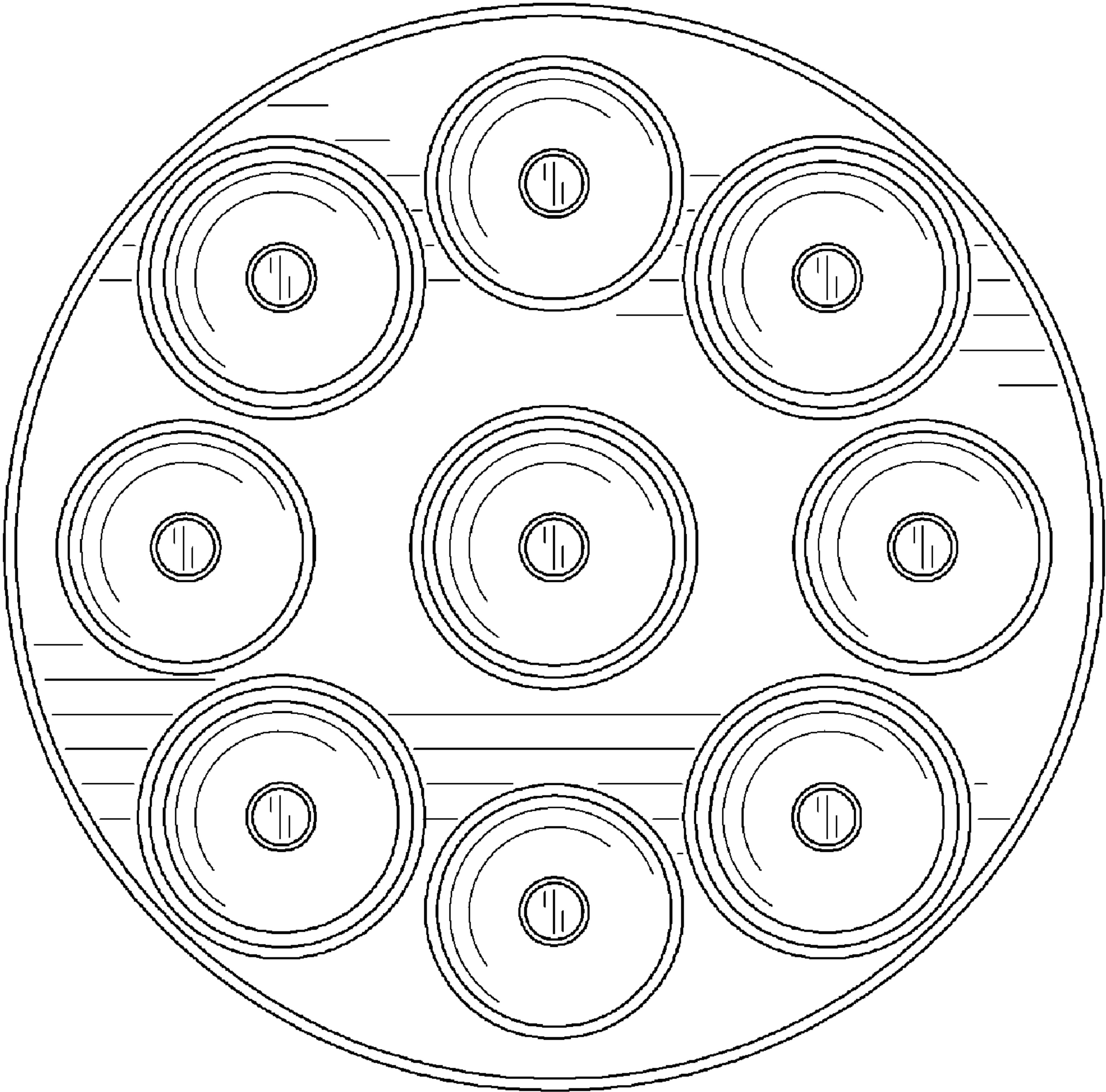


FIG. 3

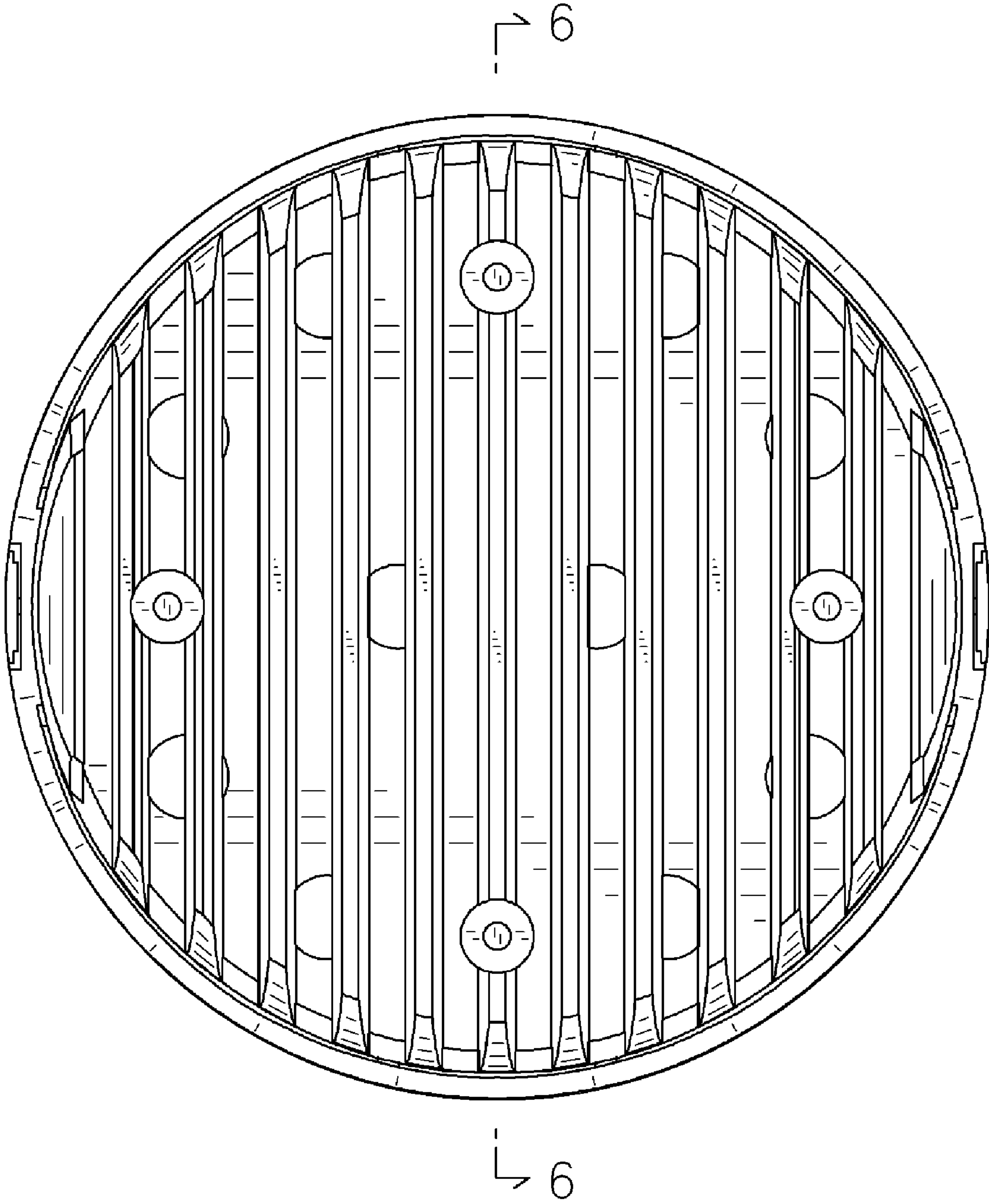


FIG. 4

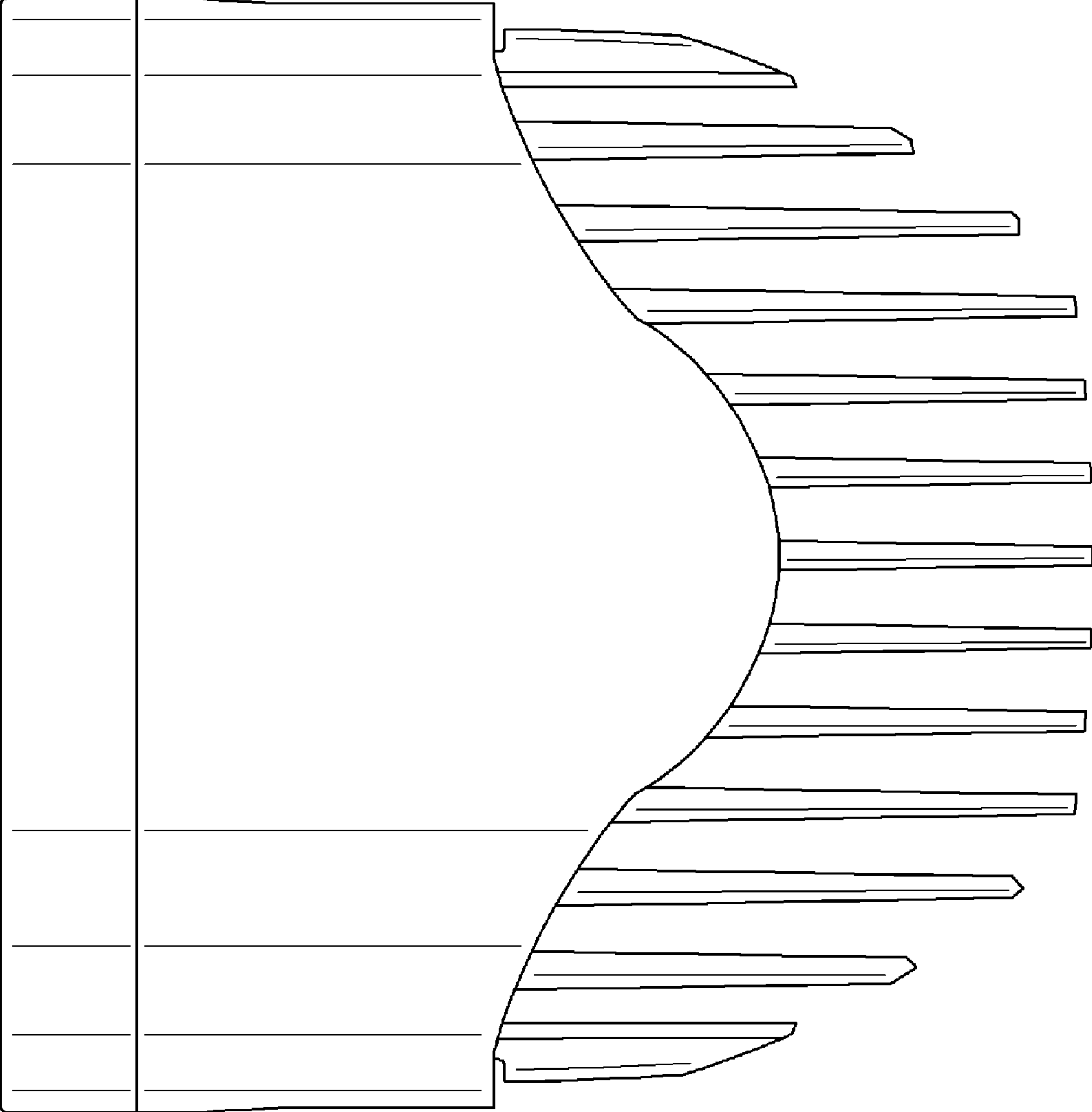


FIG. 5

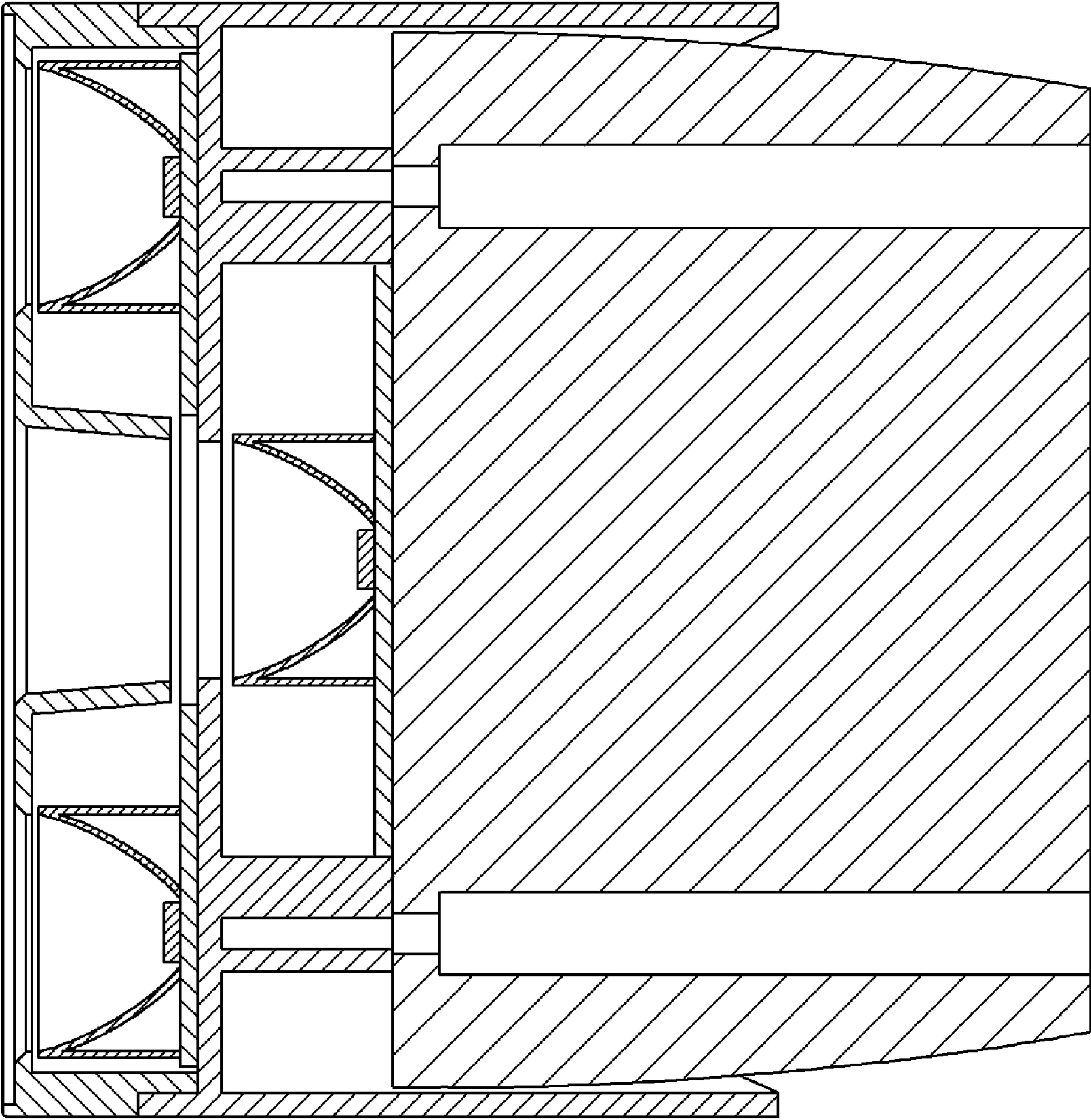


FIG. 6

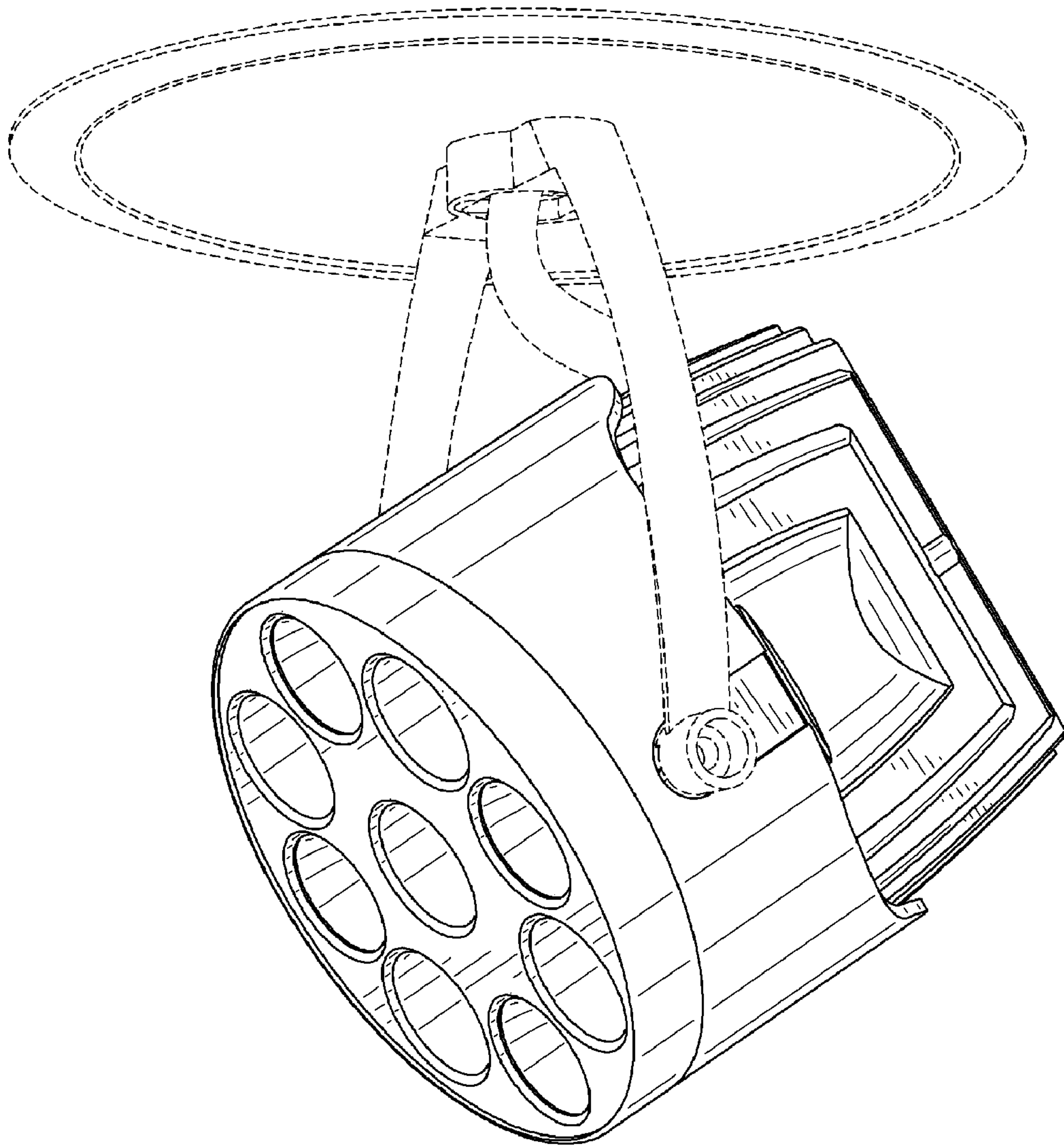


FIG. 7

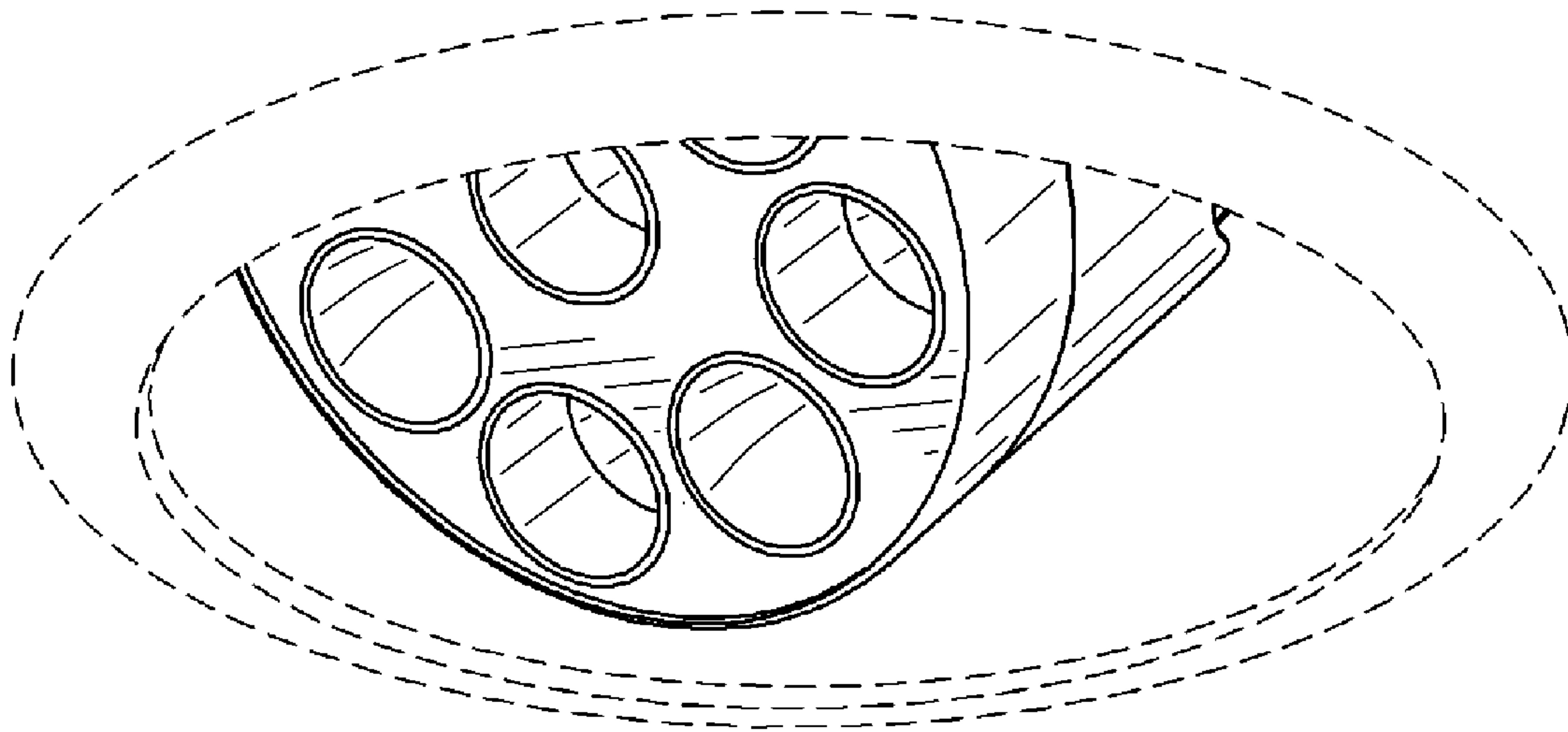


FIG. 8

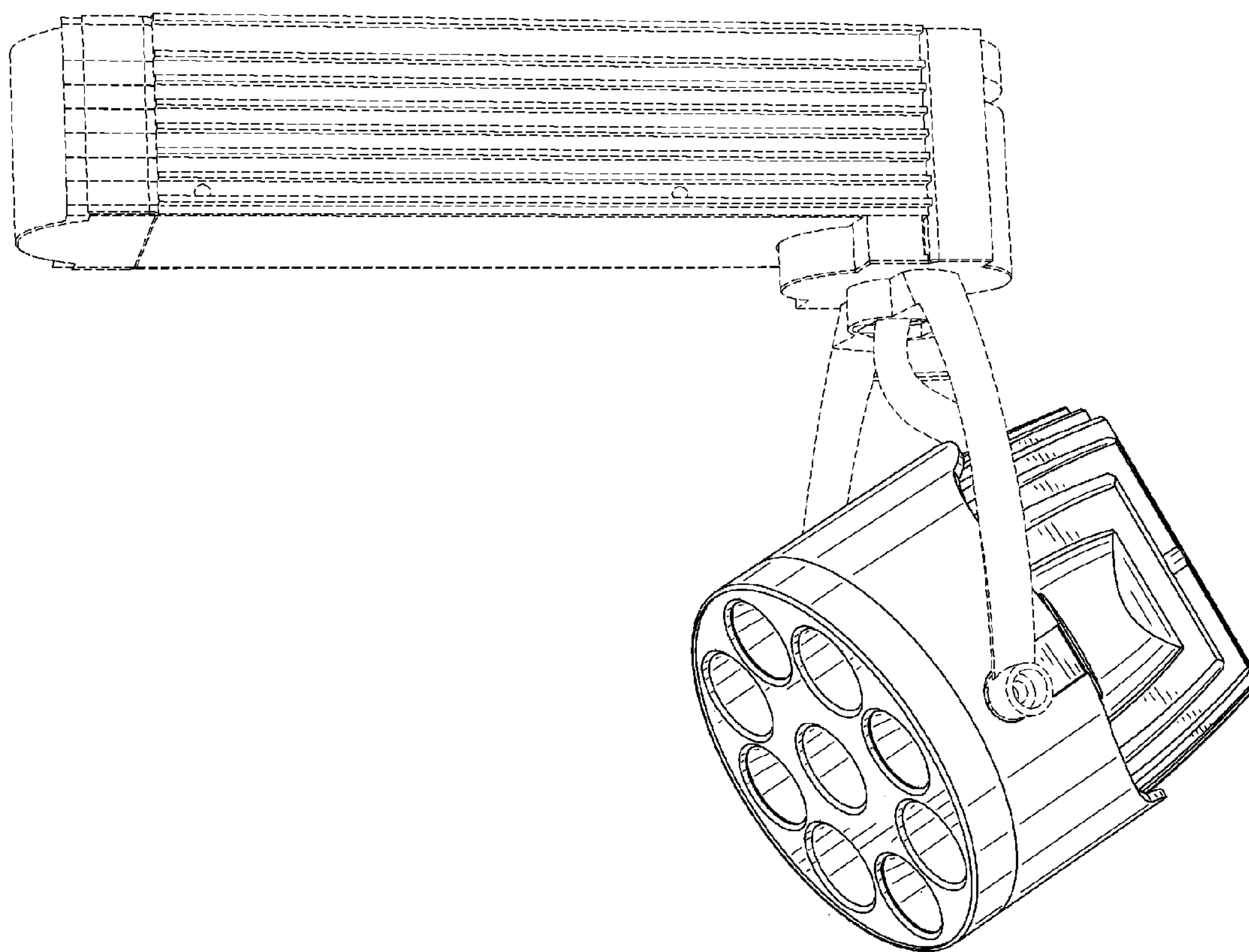


FIG. 9