



US00D625451S

(12) **United States Design Patent**
Rashidi

(10) **Patent No.:** **US D625,451 S**

(45) **Date of Patent:** **** Oct. 12, 2010**

(54) **TRACK LIGHT FIXTURE**

(76) **Inventor:** **Hamid Rashidi**, 1530 Church Rd.,
Montebello, CA (US) 90640

(**) **Term:** **14 Years**

(21) **Appl. No.:** **29/316,513**

(22) **Filed:** **Oct. 5, 2009**

(51) **LOC (9) Cl.** **26-05**

(52) **U.S. Cl.** **D26/63**

(58) **Field of Classification Search** D26/61-66,
D26/71, 72, 51, 56, 107, 118, 128; 362/269-271,
362/273, 285, 287, 289, 372, 396, 418, 426,
362/427, 430, 648, 650, 419

See application file for complete search history.

(56) **References Cited**

U.S. PATENT DOCUMENTS

D231,559 S *	4/1974	Darling et al.	D26/63
D239,967 S *	5/1976	Ewing et al.	D26/65
D315,418 S *	3/1991	Layne	D26/63
D315,419 S *	3/1991	Layne	D26/63
D380,847 S *	7/1997	Mier-Langner et al.	D26/63
D389,260 S *	1/1998	Mier-Langner et al.	D26/63
D413,176 S *	8/1999	Mier-Langner	D26/63
D538,959 S *	3/2007	Kosche	D26/63

D541,456 S *	4/2007	Kosche	D26/63
D541,458 S *	4/2007	Benghozi	D26/63
D567,979 S *	4/2008	Starck	D26/63
7,488,092 B2 *	2/2009	Mier-Langner et al.	362/285
D589,189 S *	3/2009	Sabernig	D26/63
D602,623 S *	10/2009	Kay	D26/65
D611,637 S *	3/2010	Sabernig	D26/63

* cited by examiner

Primary Examiner—Mitchell I Siegel

(74) *Attorney, Agent, or Firm*—Thomas I. Rozsa

(57) **CLAIM**

The ornamental design for a track light fixture, as shown and described.

DESCRIPTION

FIG. 1 is a side perspective view of a preferred embodiment of the track light fixture, showing my design.

FIG. 2 is a right side view;

FIG. 3 is a left side view;

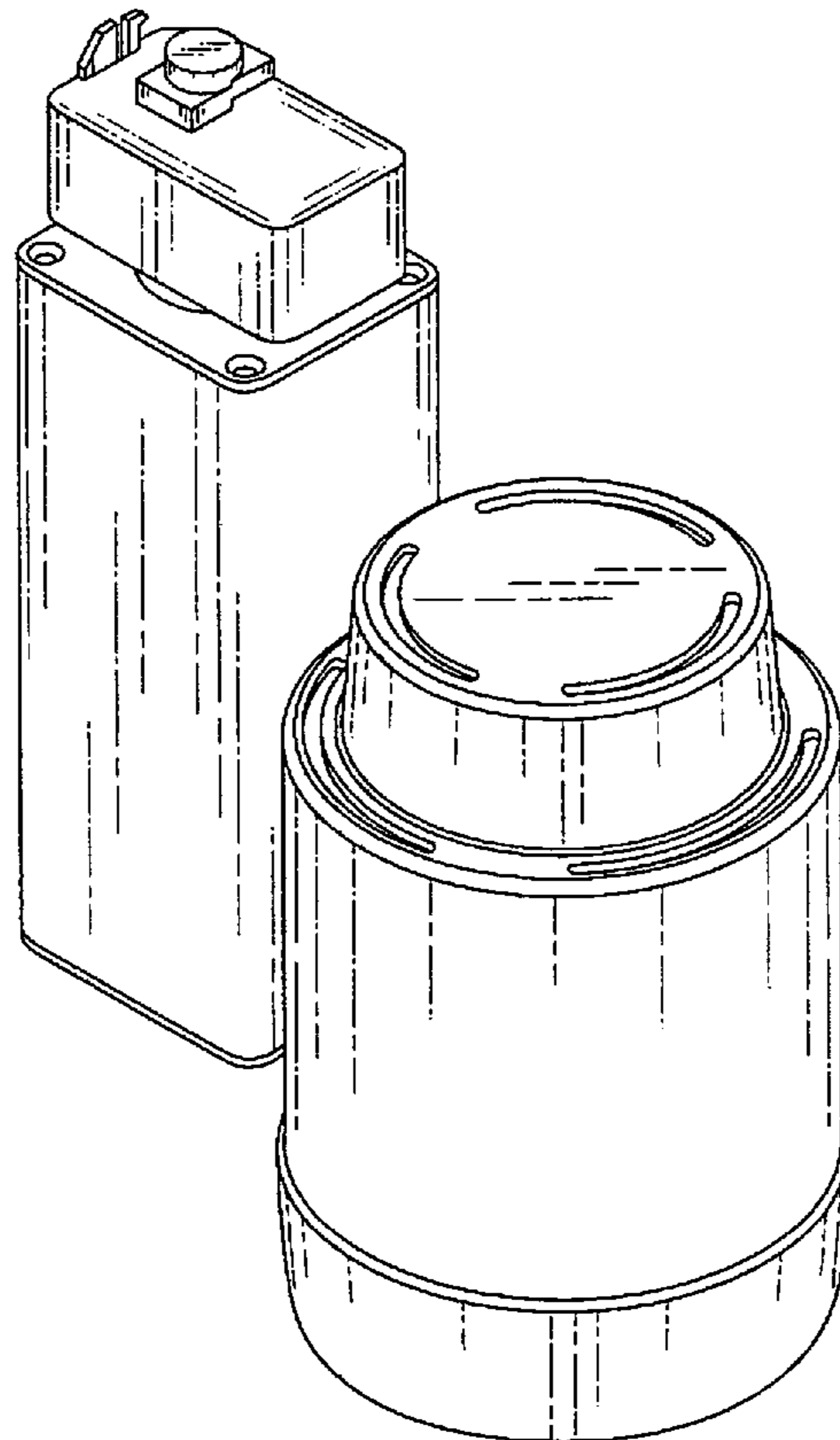
FIG. 4 is a front view;

FIG. 5 is a rear view;

FIG. 6 is a top view; and,

FIG. 7 is a bottom view.

1 Claim, 7 Drawing Sheets



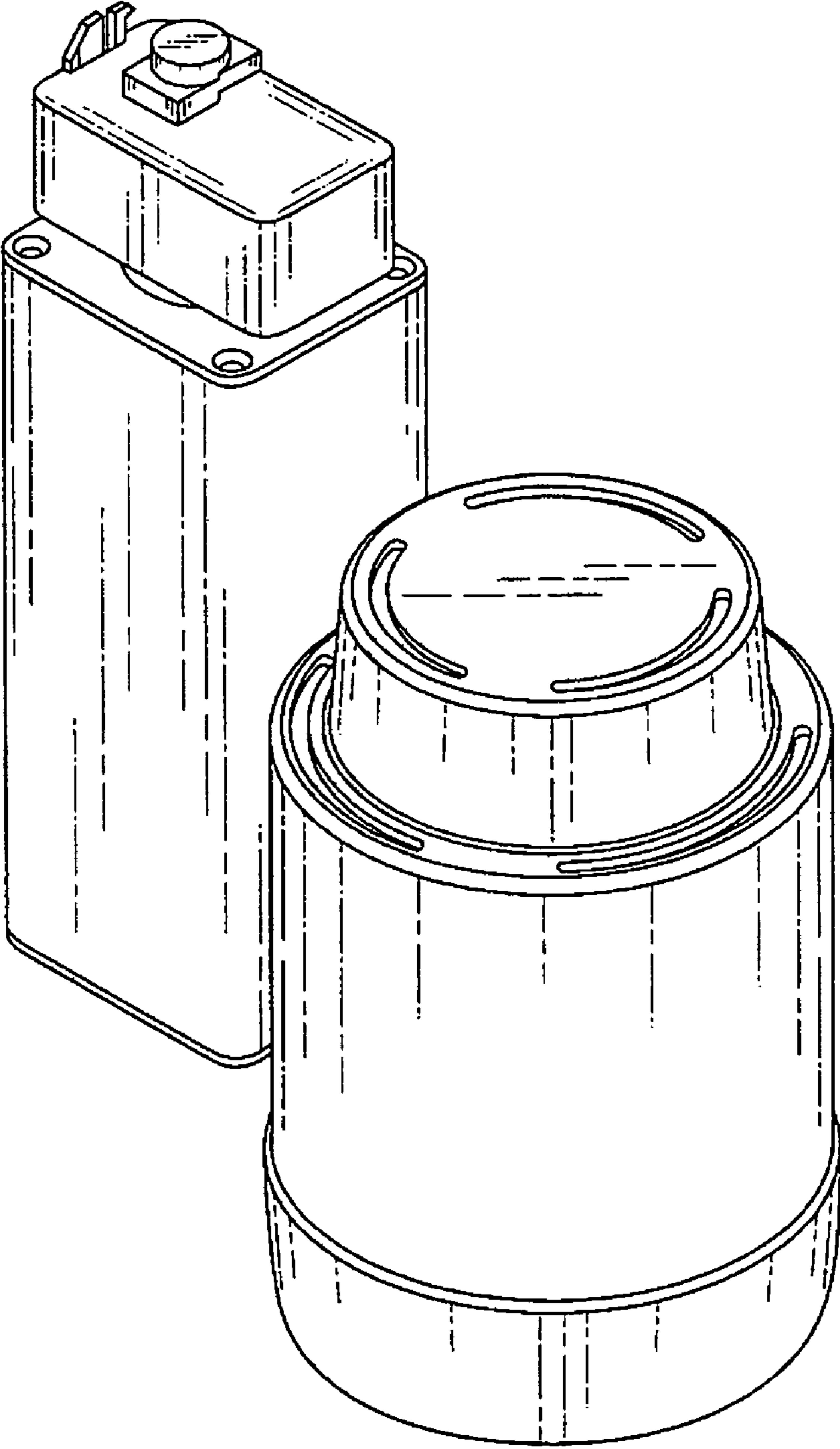


FIG. 1

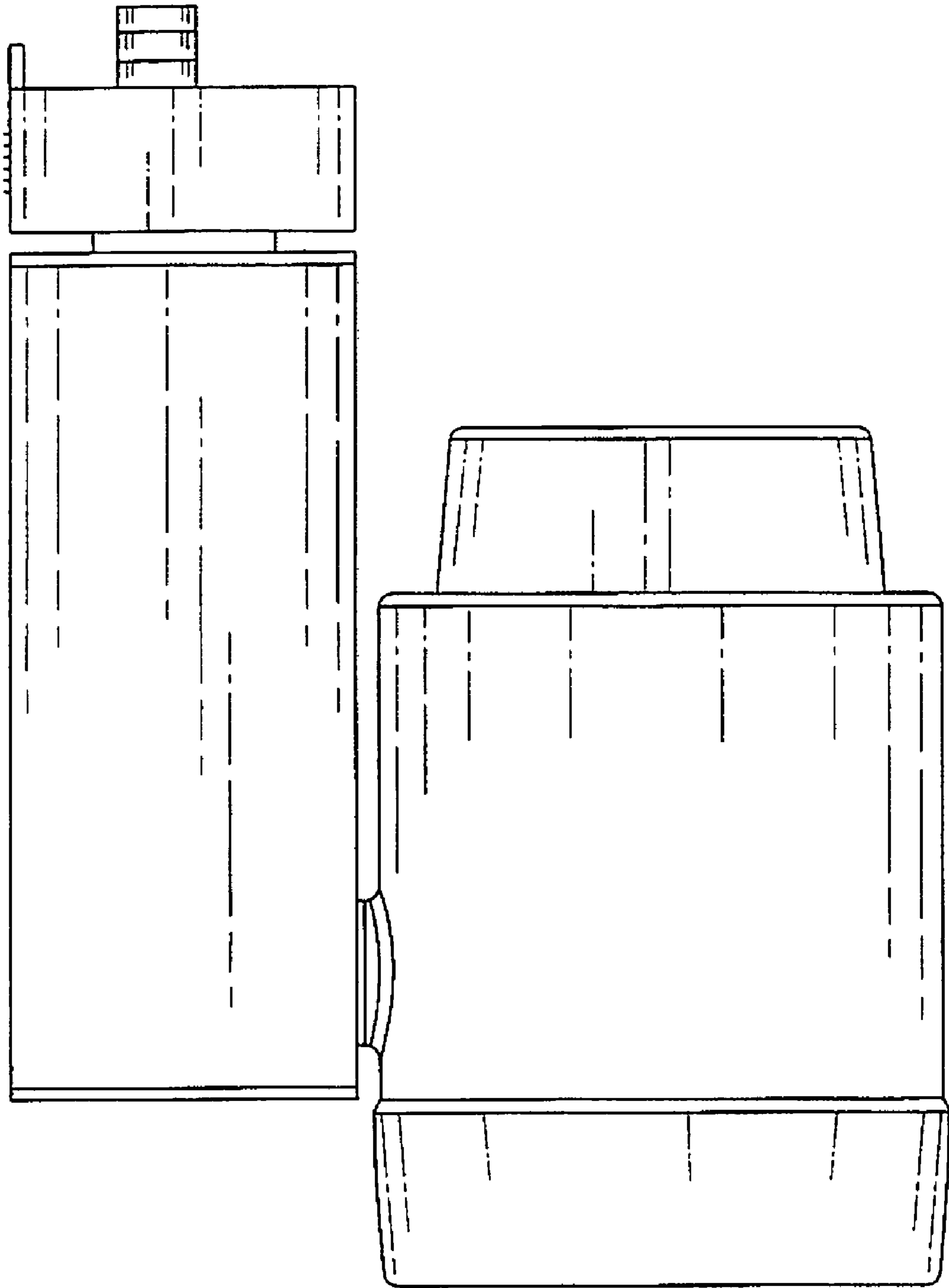


FIG. 2

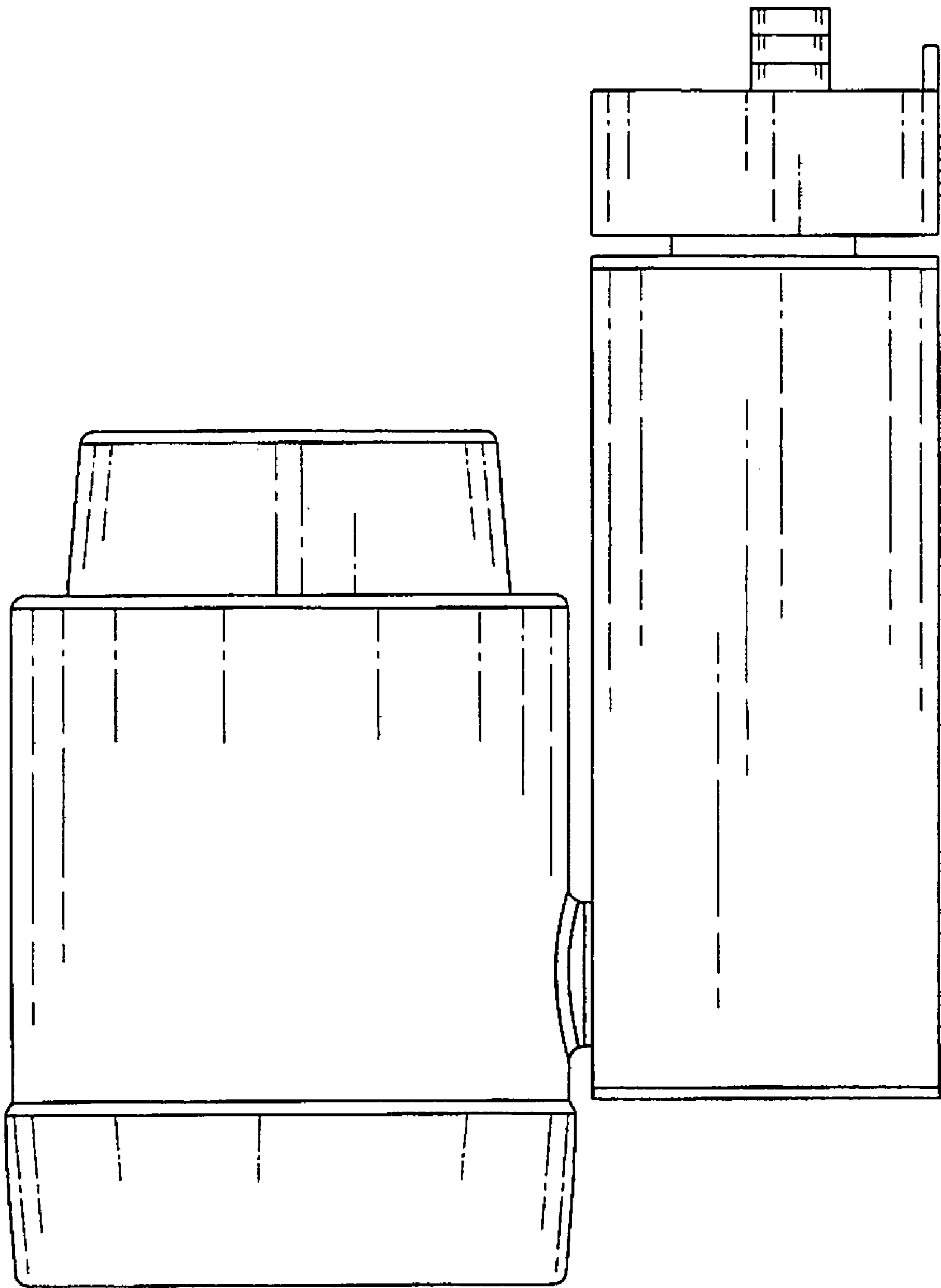


FIG. 3

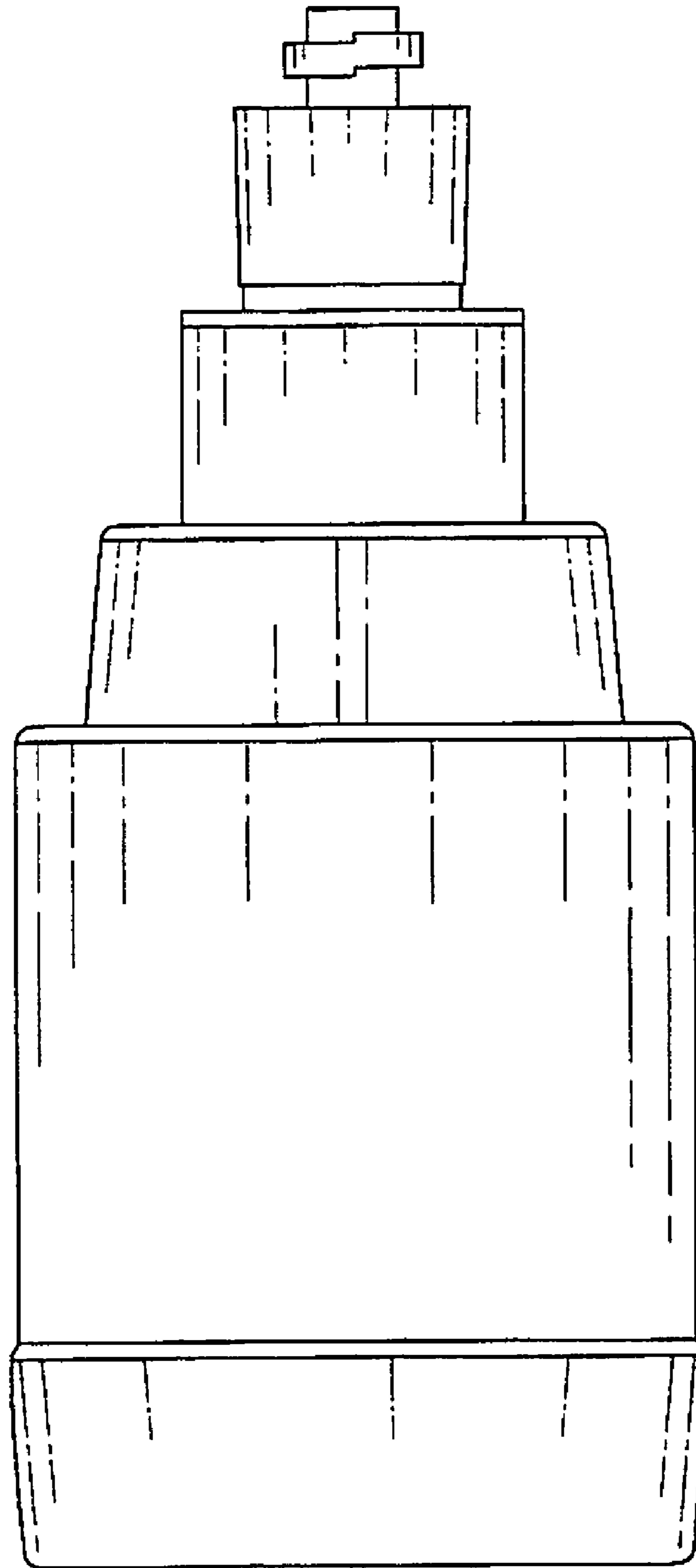


FIG. 4

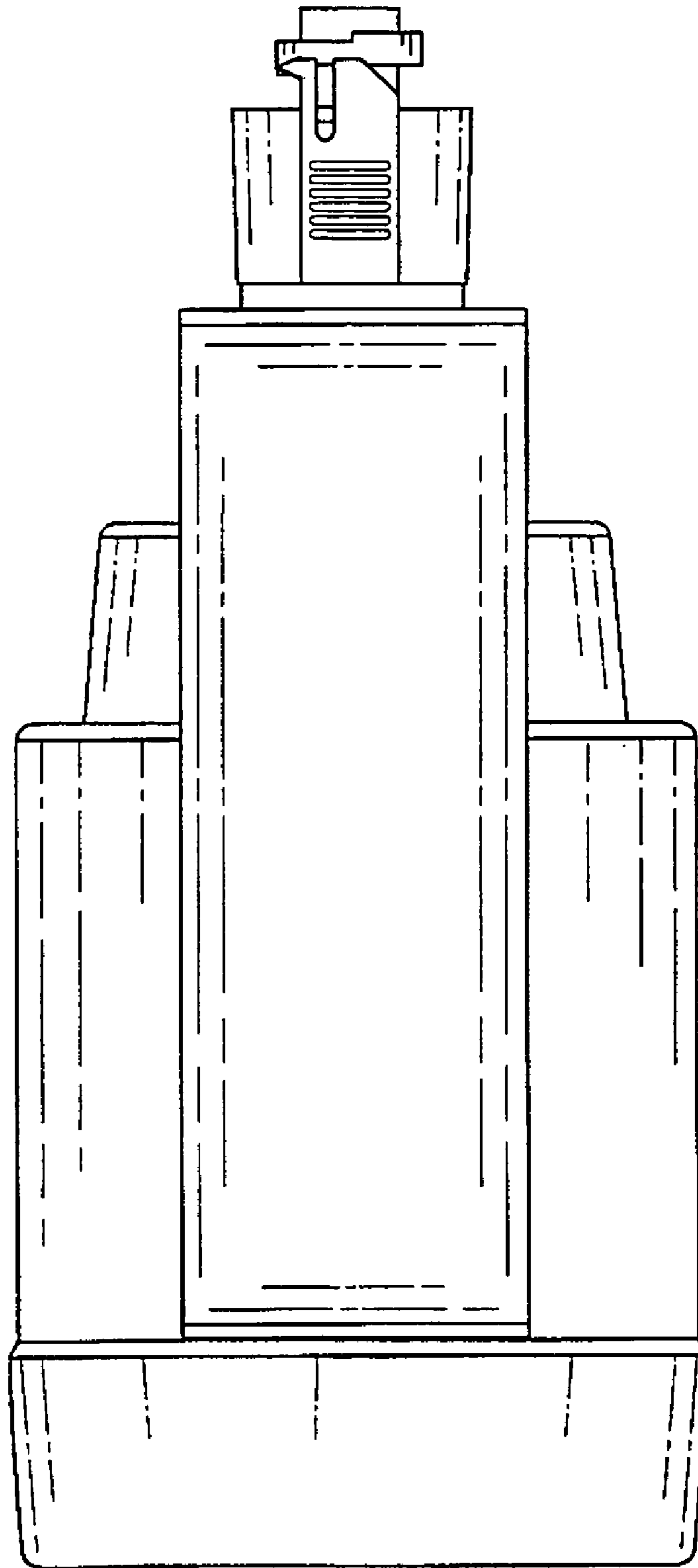


FIG. 5

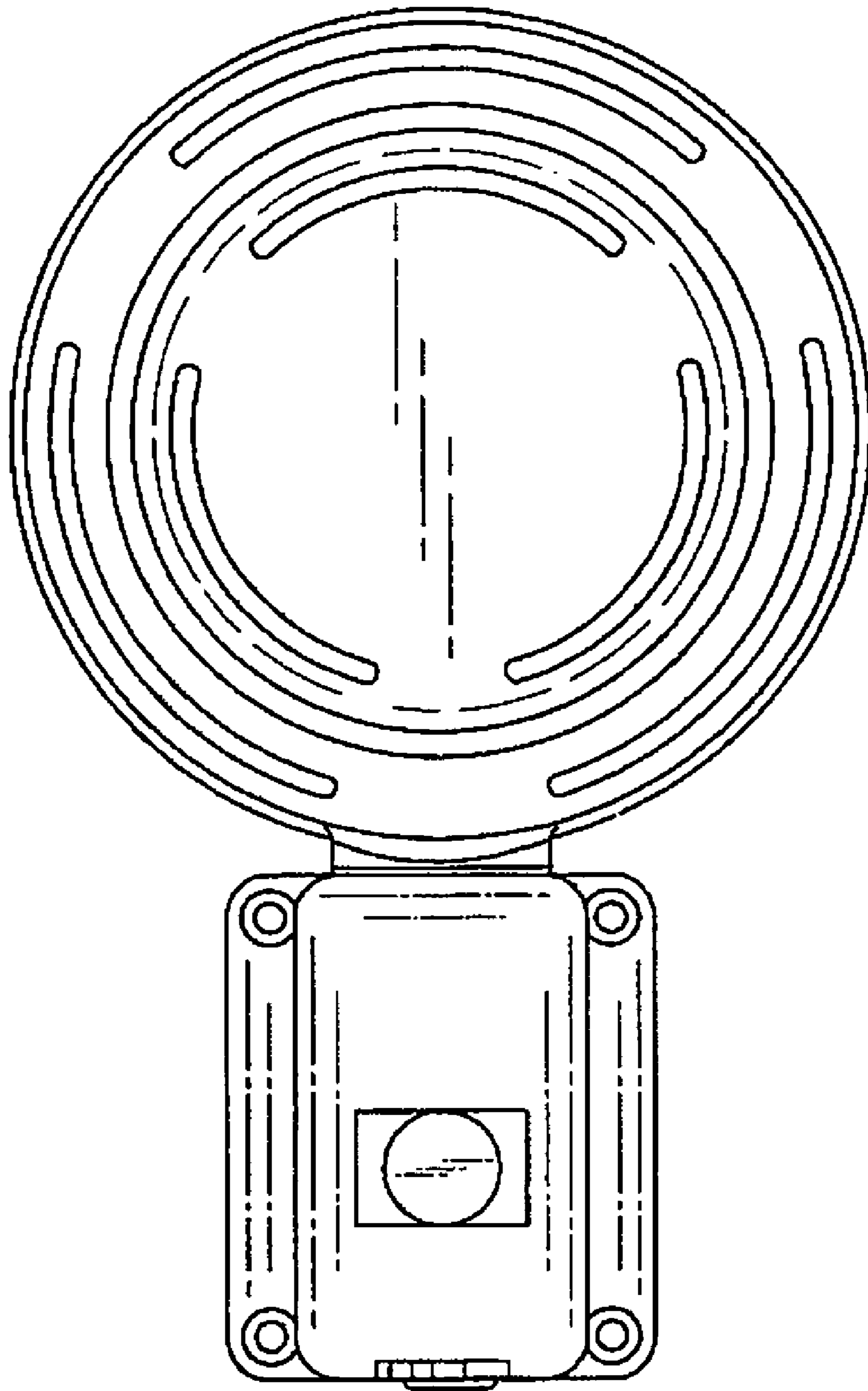


FIG. 6

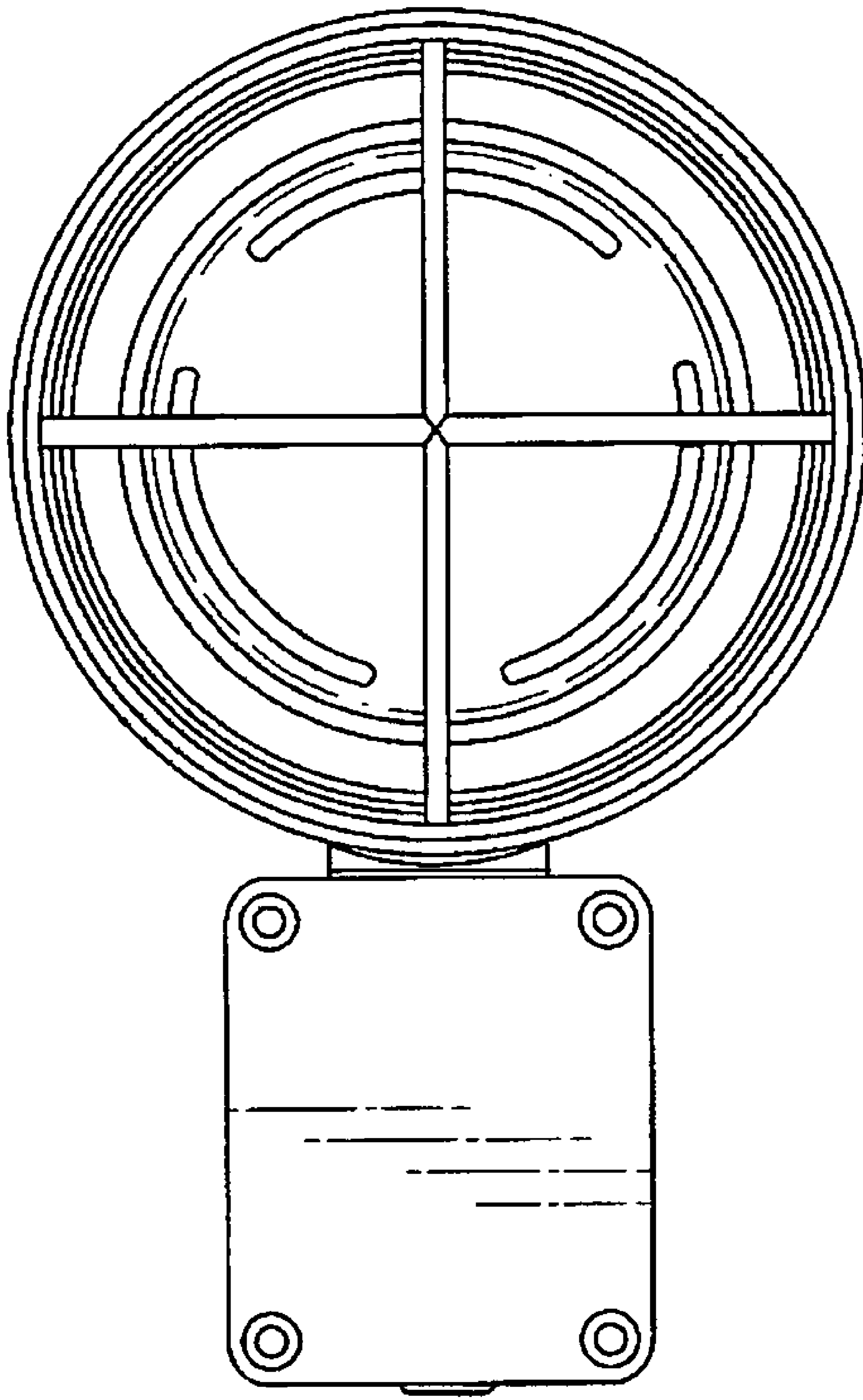


FIG. 7