



US00D625450S

(12) **United States Design Patent**
Rosenkrantz et al.

(10) **Patent No.:** **US D625,450 S**

(45) **Date of Patent:** **** Oct. 12, 2010**

(54) **LUMINAIRE**

(75) Inventors: **Rachel Andree Rosenkrantz**,
Providence, RI (US); **Julia Fishman**,
Cranston, RI (US); **Richard Otto**
Meyer, Providence, RI (US)

(73) Assignee: **Koninklijke Philips Electronics N.V.**,
Eindhoven (NL)

(**) Term: **14 Years**

(21) Appl. No.: **29/345,251**

(22) Filed: **Oct. 13, 2009**

(51) **LOC (9) Cl.** **26-05**

(52) **U.S. Cl.** **D26/61**

(58) **Field of Classification Search** D26/61-66,
D26/72; 362/147, 277-282, 285, 287, 288,
362/404, 418, 306, 427, 640, 647, 648, 652,
362/653, 655

See application file for complete search history.

(56) **References Cited**

U.S. PATENT DOCUMENTS

D353,474 S * 12/1994 Shyan D26/63

D436,678 S * 1/2001 Mier-Langner et al. D26/63
D445,936 S * 7/2001 Mier-Langner et al. D26/63
D453,227 S * 1/2002 Lin D26/63
D479,015 S * 8/2003 Tang D26/63
D484,629 S * 12/2003 Fong et al. D26/63
D536,119 S * 1/2007 Mier-Langner et al. D26/63
D537,973 S * 3/2007 Mier-Langner et al. D26/63

* cited by examiner

Primary Examiner—Susan M. Lee

Assistant Examiner—Linda G. Brooks

(57) **CLAIM**

The ornamental design for a luminaire, as shown.

DESCRIPTION

FIG. 1 is a perspective view showing my design;

FIG. 2 is a front elevational view thereof;

FIG. 3 is a rear elevational view thereof;

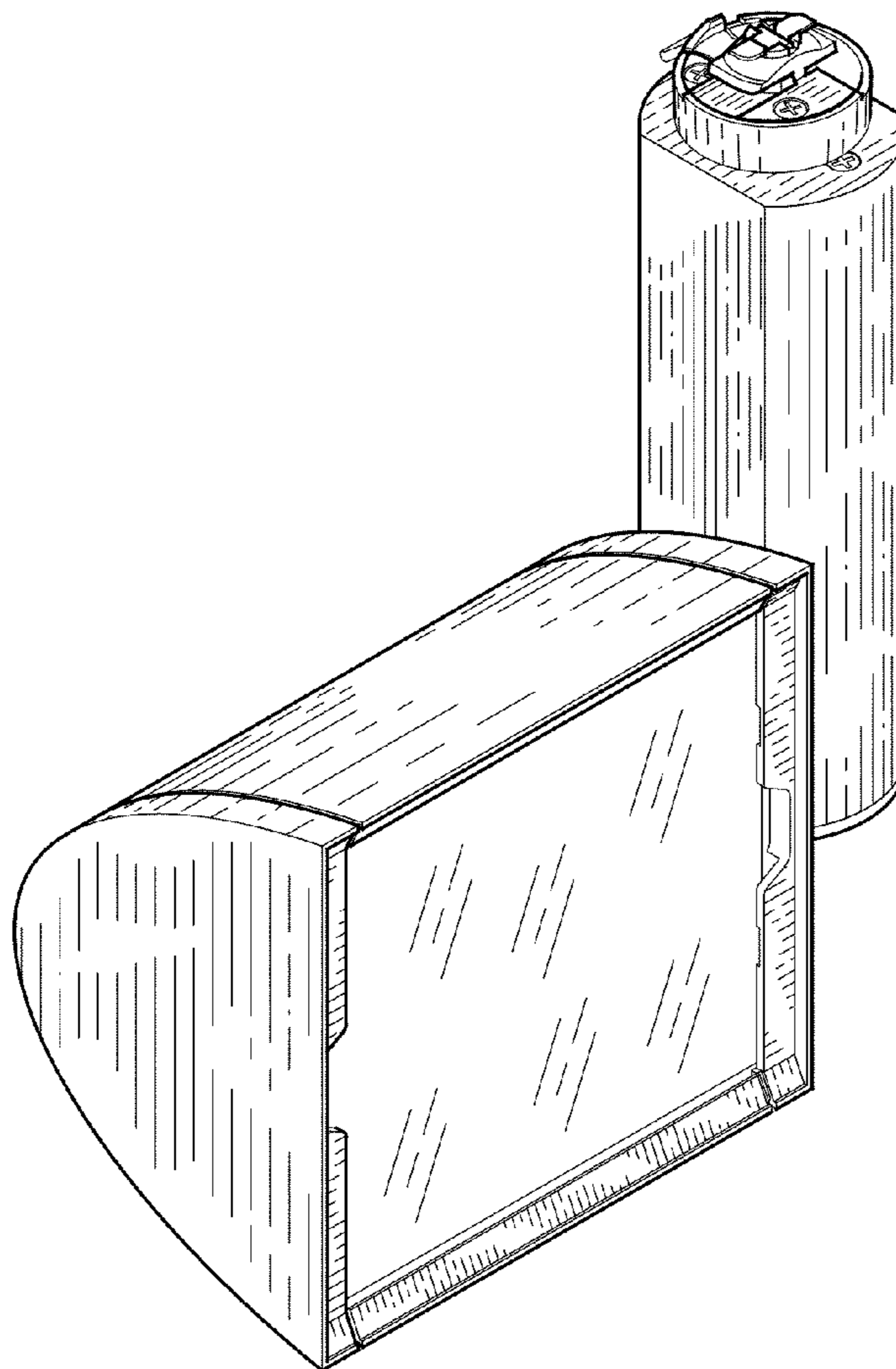
FIG. 4 is a right side elevational view thereof;

FIG. 5 is a left side elevational view thereof;

FIG. 6 is a top plan view thereof; and,

FIG. 7 is a bottom plan view thereof.

1 Claim, 5 Drawing Sheets



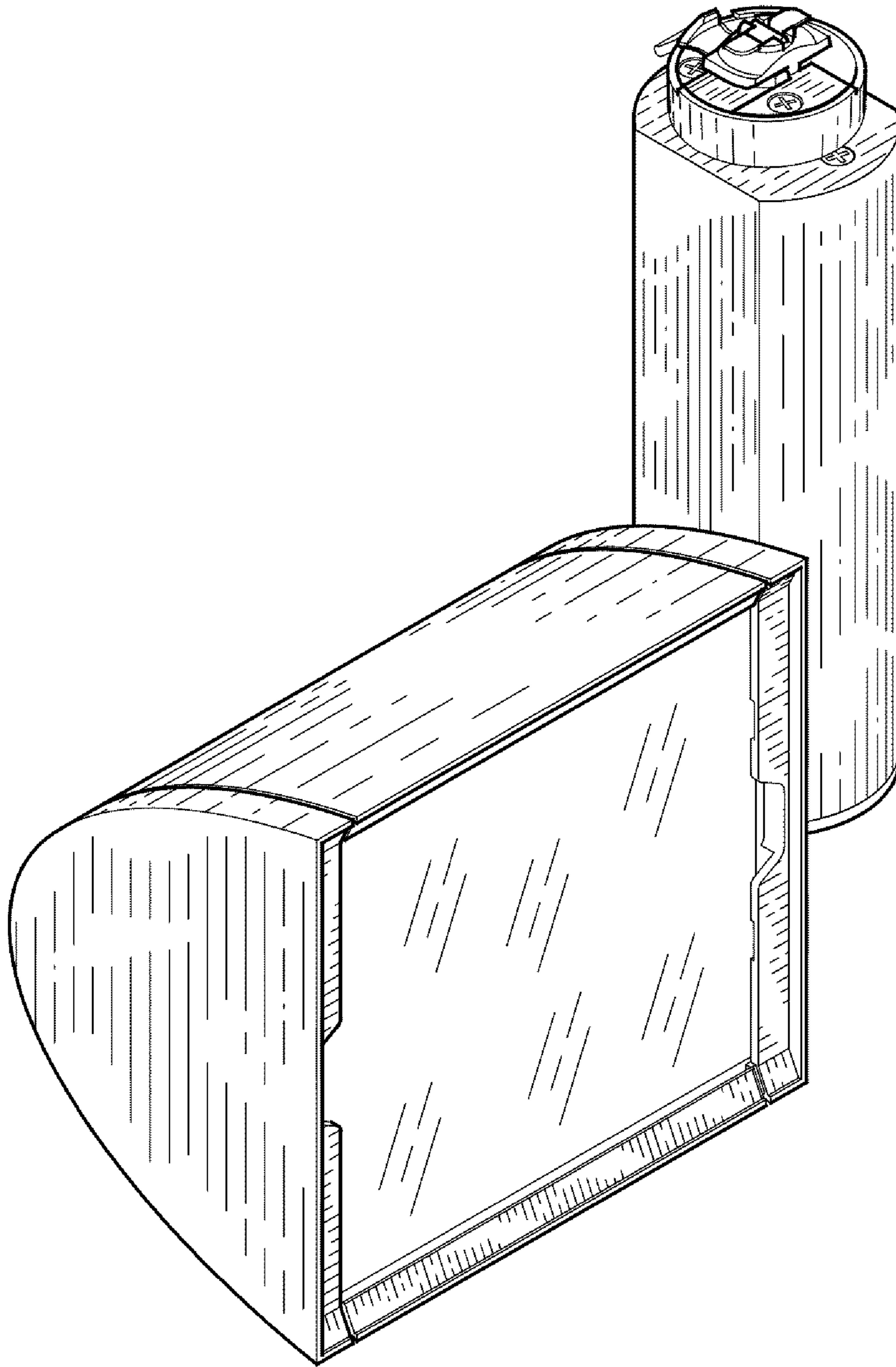


FIG. 1

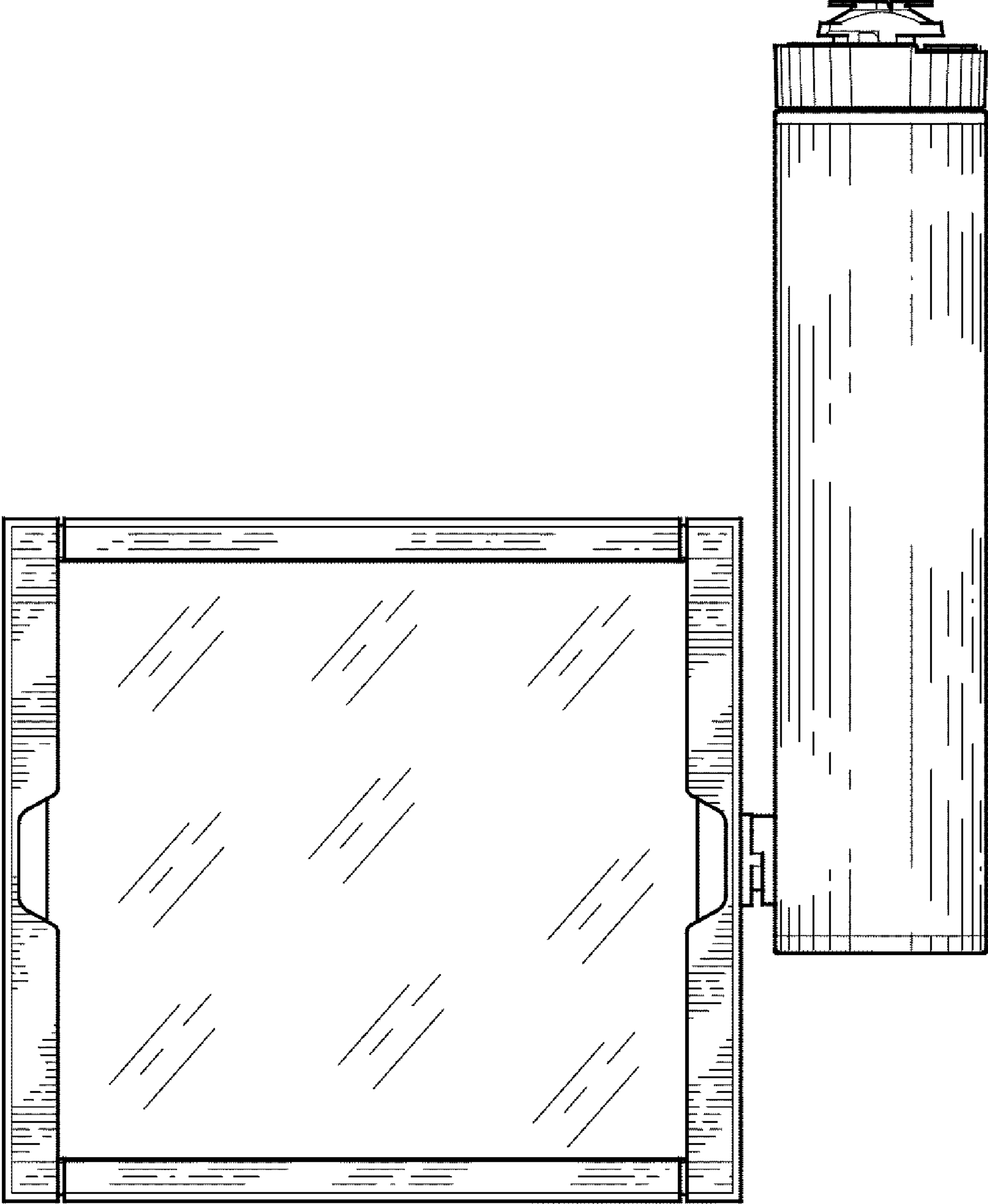


FIG. 2

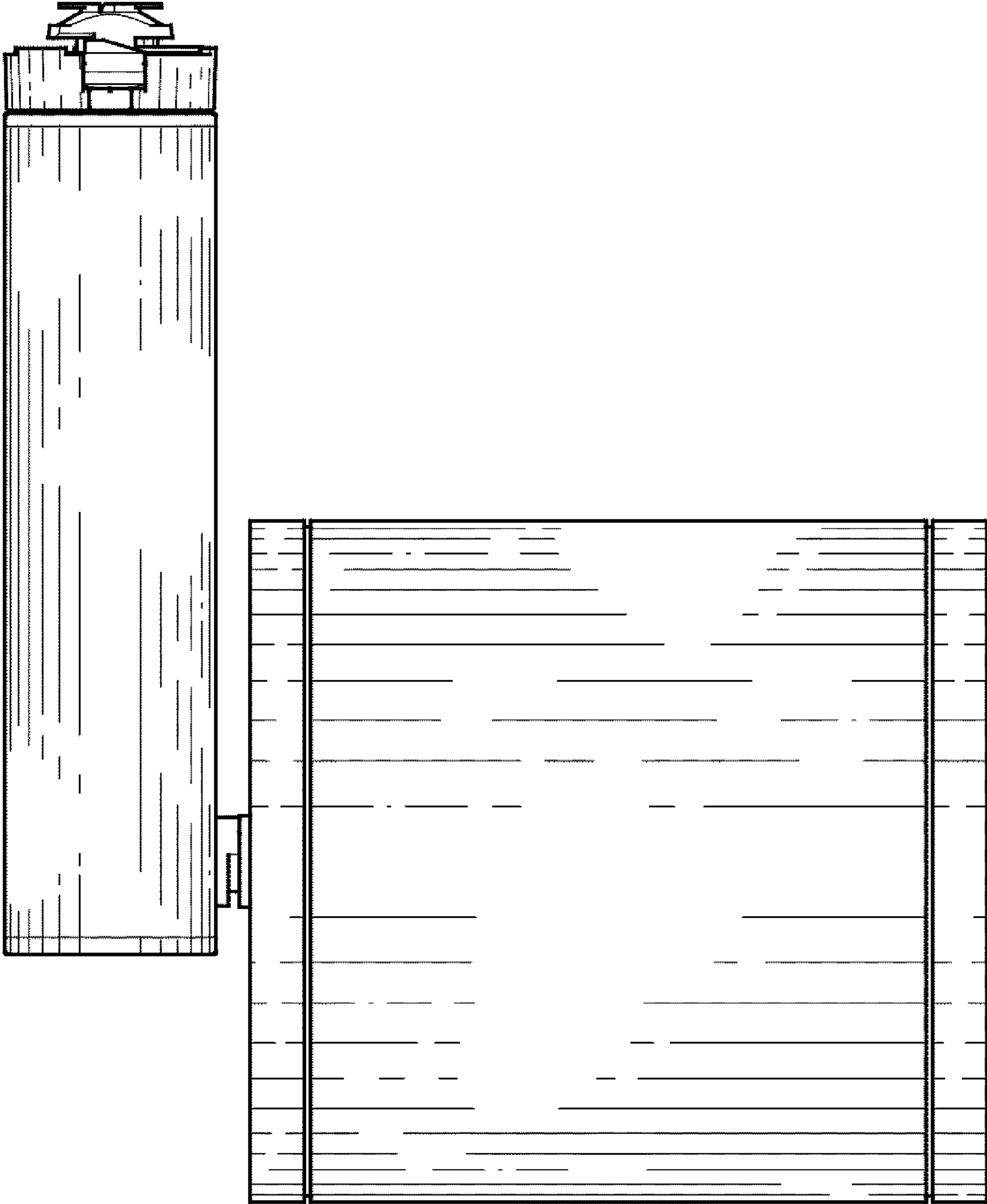


FIG. 3

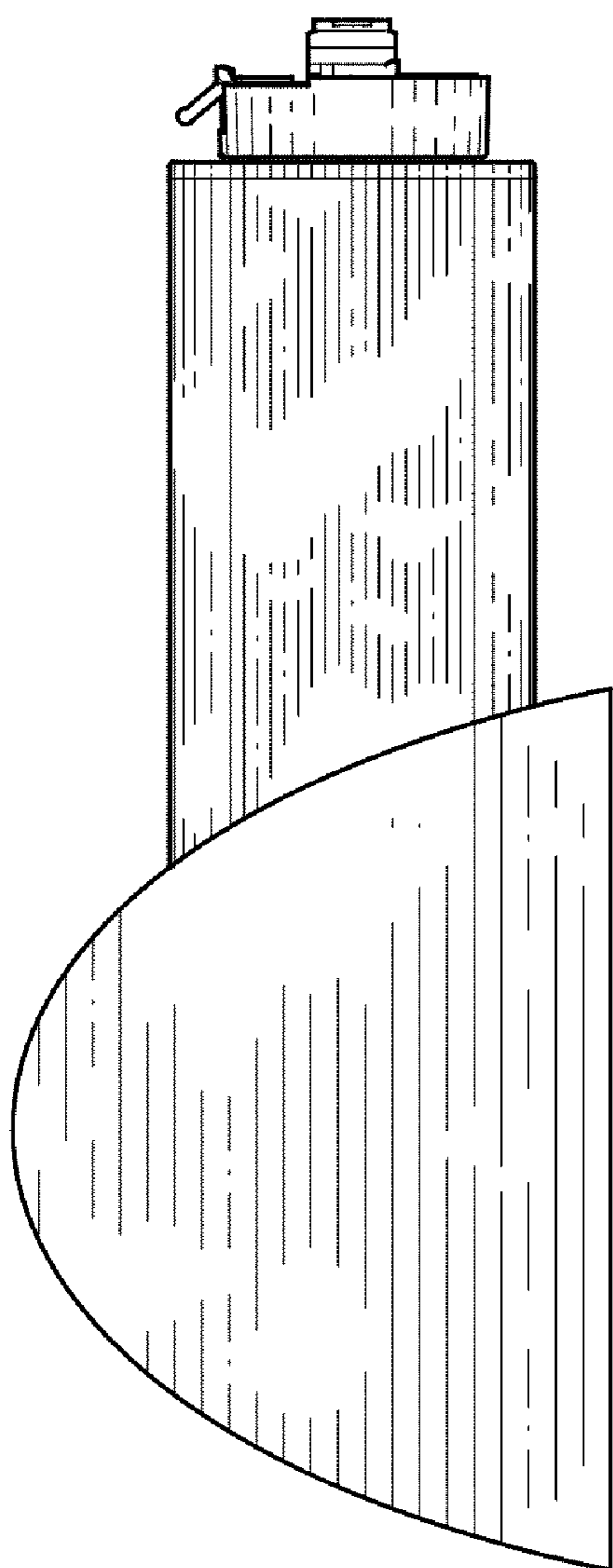


FIG. 4

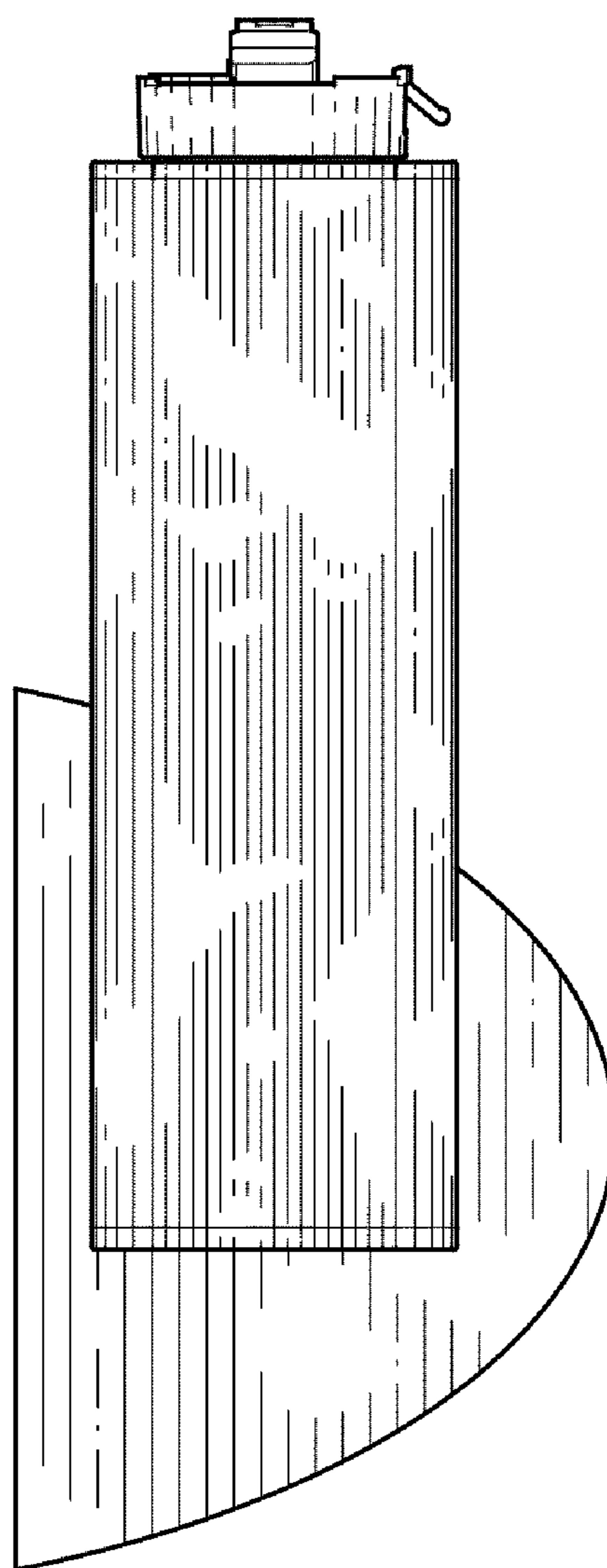


FIG. 5

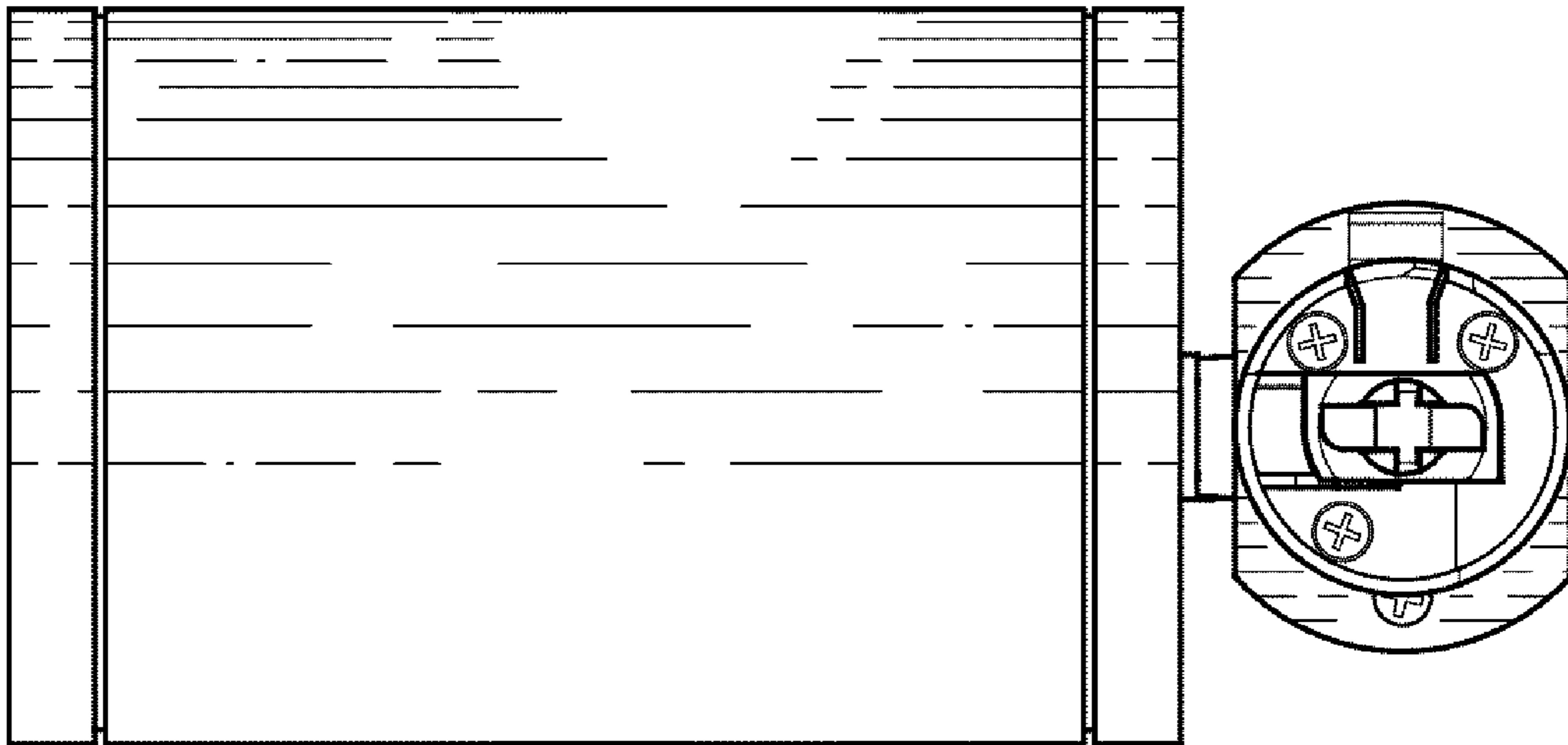


FIG. 6

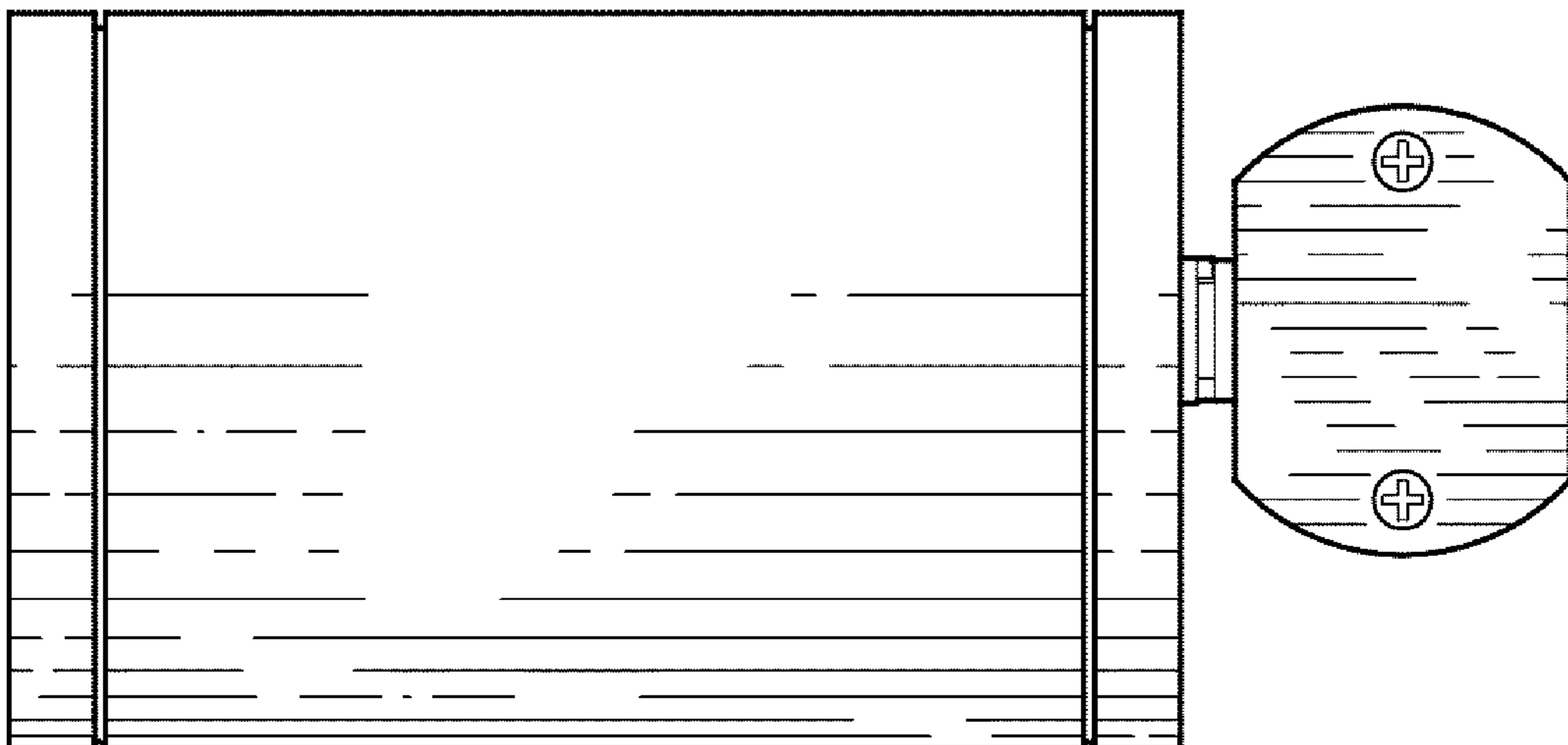


FIG. 7