



US00D625446S

(12) **United States Design Patent**
He

(10) **Patent No.:** **US D625,446 S**

(45) **Date of Patent:** **** Oct. 12, 2010**

(54) **HAND DYNAMO RECHARGEABLE FLASH LIGHT WITH RADIO ALARM CLOCK AND READING LAMP**

(75) Inventor: **Yu-Feng He**, New Territories (CN)

(73) Assignee: **Ten Forward Limited**, Tsuen Wan, New Territories, Hong Kong (CN)

(**) Term: **14 Years**

(21) Appl. No.: **29/316,398**

(22) Filed: **Sep. 21, 2009**

(30) **Foreign Application Priority Data**

Apr. 23, 2009 (HK) 0900659

(51) **LOC (9) Cl.** **26-02**

(52) **U.S. Cl.** **D26/38; D26/64; D10/5**

(58) **Field of Classification Search** D26/37, D26/38, 46, 49, 42, 43, 48, 50, 64; 362/157, 362/158, 183, 184, 192, 193, 194-208, 253; D10/5

See application file for complete search history.

(56) **References Cited**

U.S. PATENT DOCUMENTS

- D354,054 S * 1/1995 Shitama D14/129
- D371,356 S * 7/1996 Maruyama D14/129
- D376,022 S * 11/1996 Yuen D26/38
- D376,023 S * 11/1996 Yuen D26/38
- D428,172 S * 7/2000 Yuen D26/38
- D438,315 S * 2/2001 Yuen D26/38
- D438,995 S * 3/2001 Yuen D26/38

- D464,452 S * 10/2002 Man D26/37
- D474,552 S * 5/2003 Poon D26/38
- D480,823 S * 10/2003 Yuen D26/38
- D483,137 S * 12/2003 Yuen D26/38
- D485,383 S * 1/2004 Hanselman et al. D26/38
- D504,410 S * 4/2005 Lam D14/168
- D543,650 S * 5/2007 Rothman D26/37

* cited by examiner

Primary Examiner—Charles A Rademaker

Assistant Examiner—Carissa C Fitts

(74) *Attorney, Agent, or Firm*—Alix, Yale & Ristas, LLP

(57) **CLAIM**

The ornamental design for a hand dynamo rechargeable flash light with radio alarm clock and reading lamp, as shown and described.

DESCRIPTION

FIG. 1 is a front elevation view of hand dynamo rechargeable flash light with radio alarm clock and reading lamp showing my new design;

FIG. 2 is a rear elevational view thereof;

FIG. 3 is a left side elevational view thereof;

FIG. 4 is a right side elevational view thereof;

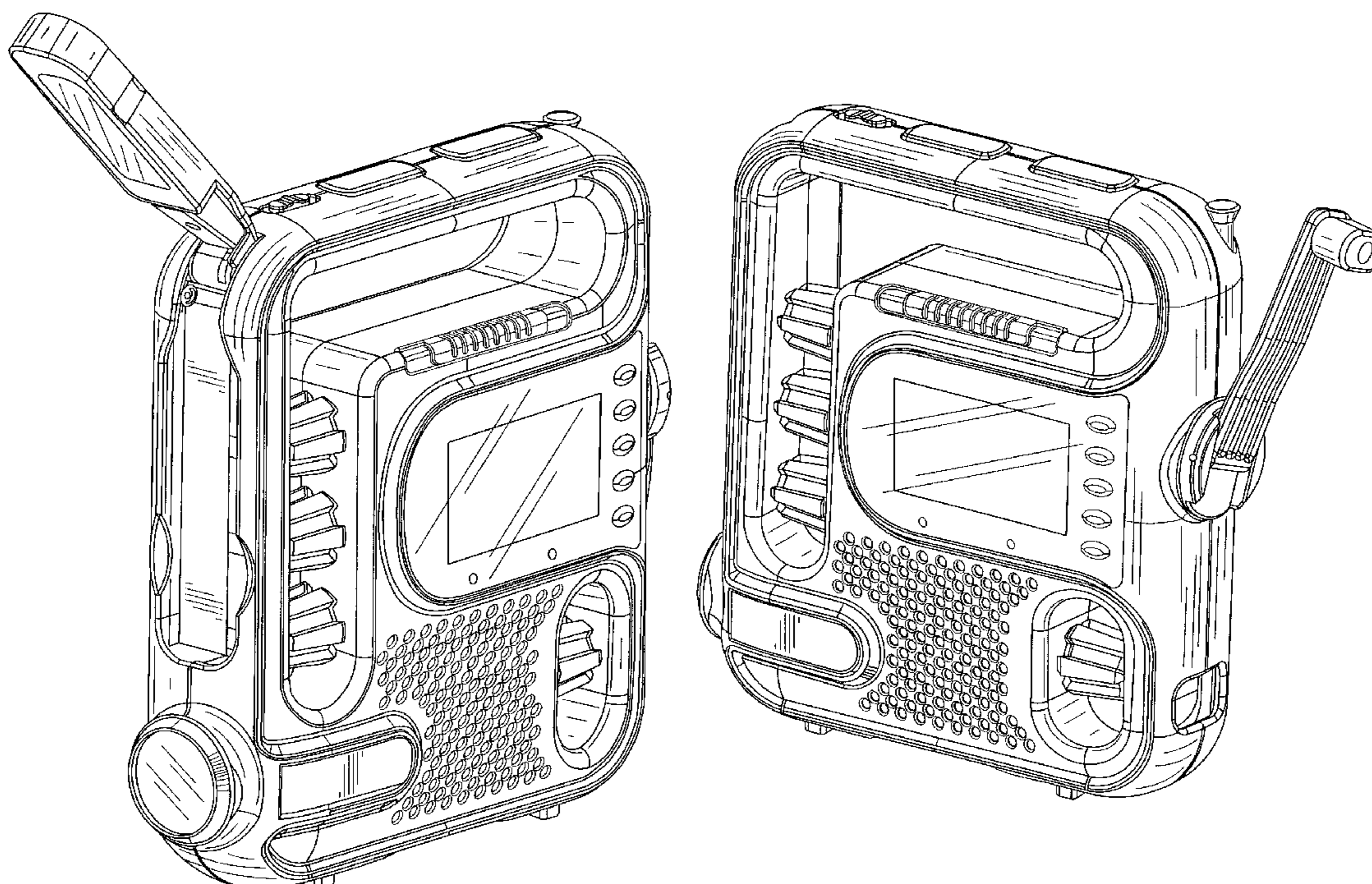
FIG. 5 is a top plan view thereof;

FIG. 6 is bottom plan view thereof;

FIG. 7 is a perspective view with parts in alternative position thereof; and,

FIG. 8 is a perspective view with rechargeable handle in alternative position thereof.

1 Claim, 8 Drawing Sheets



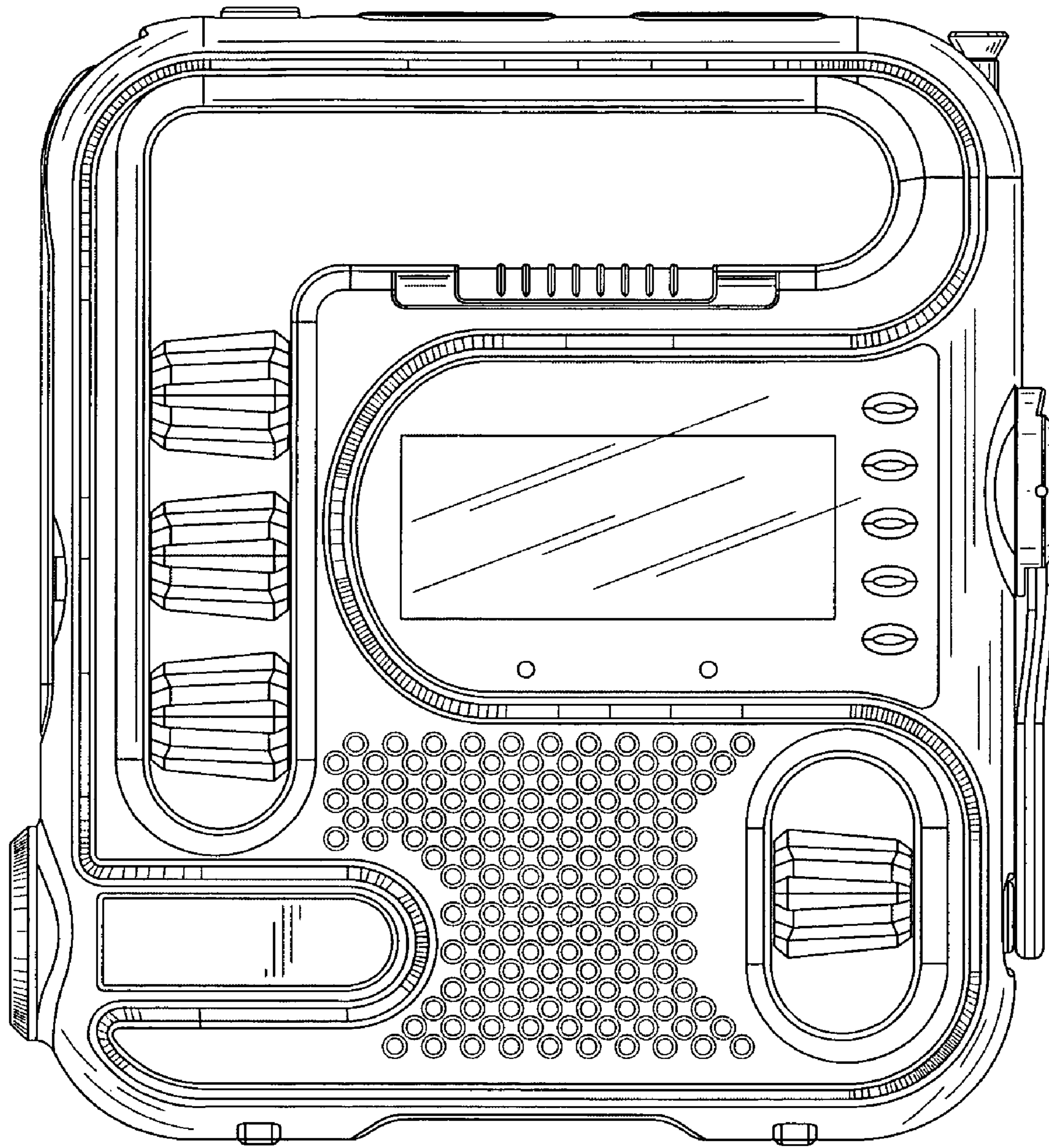


FIG. 1

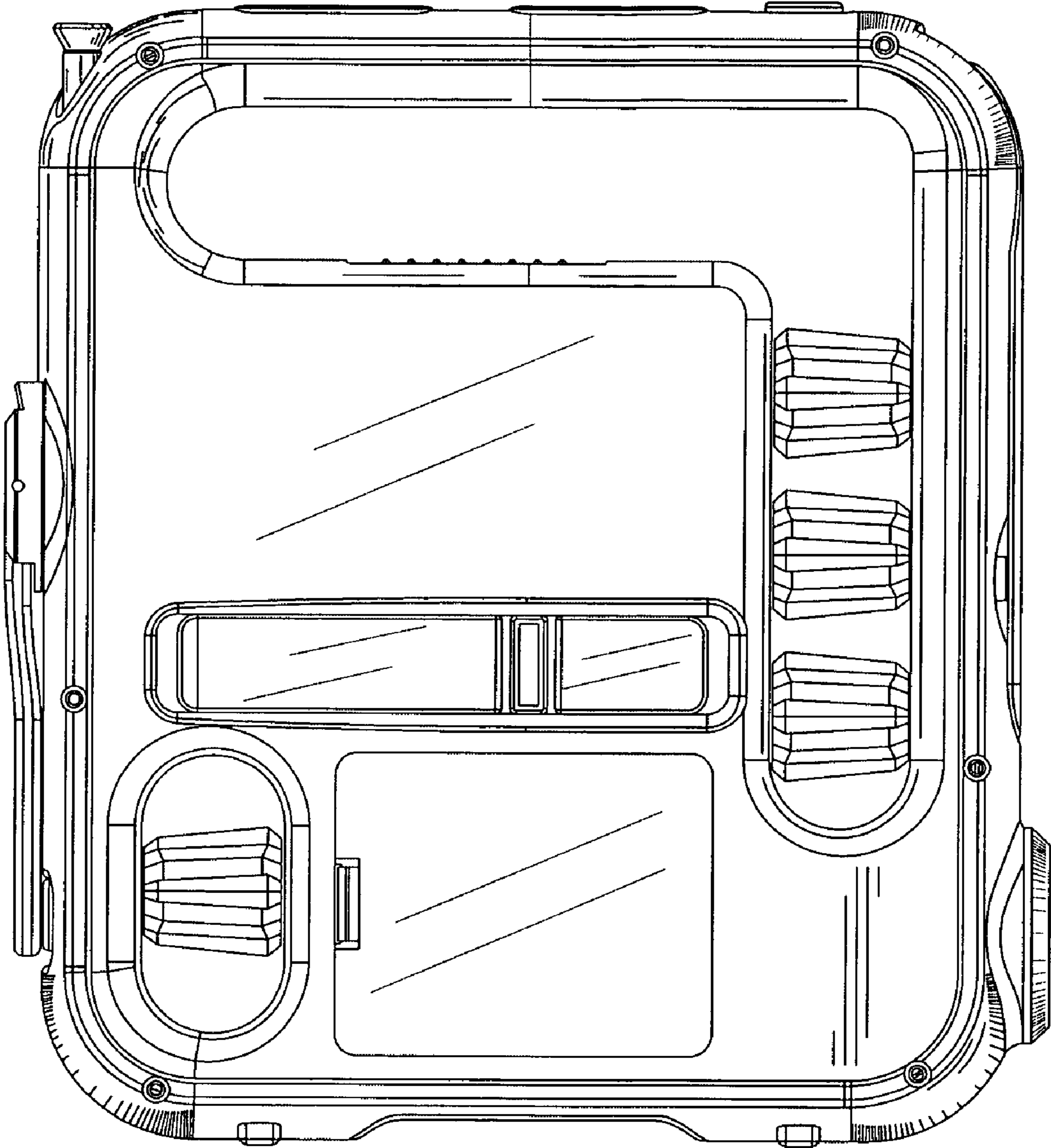


FIG. 2

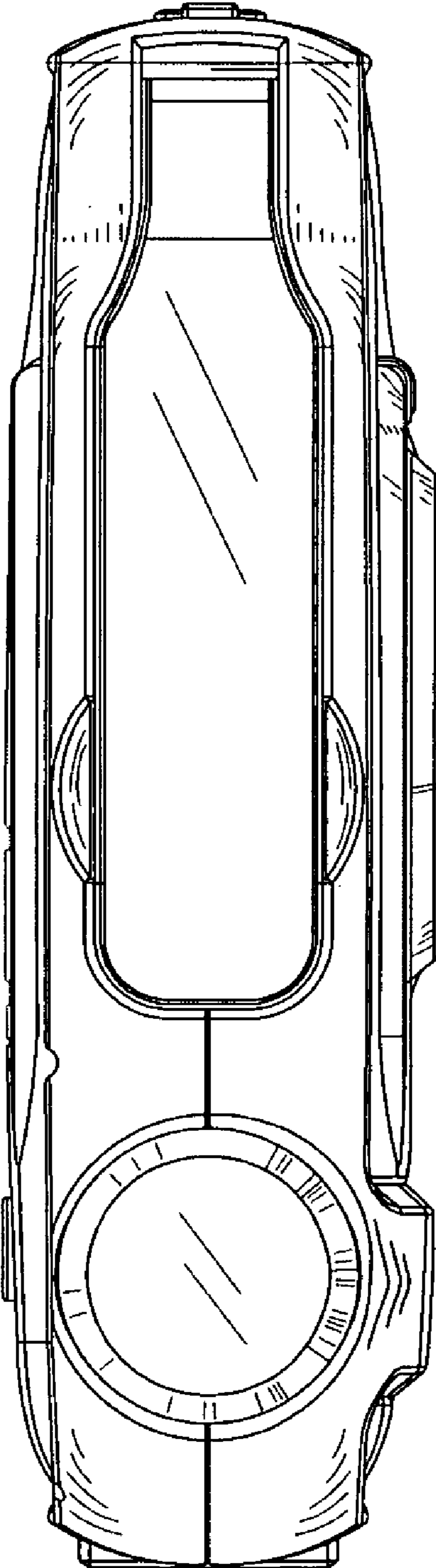


FIG. 3

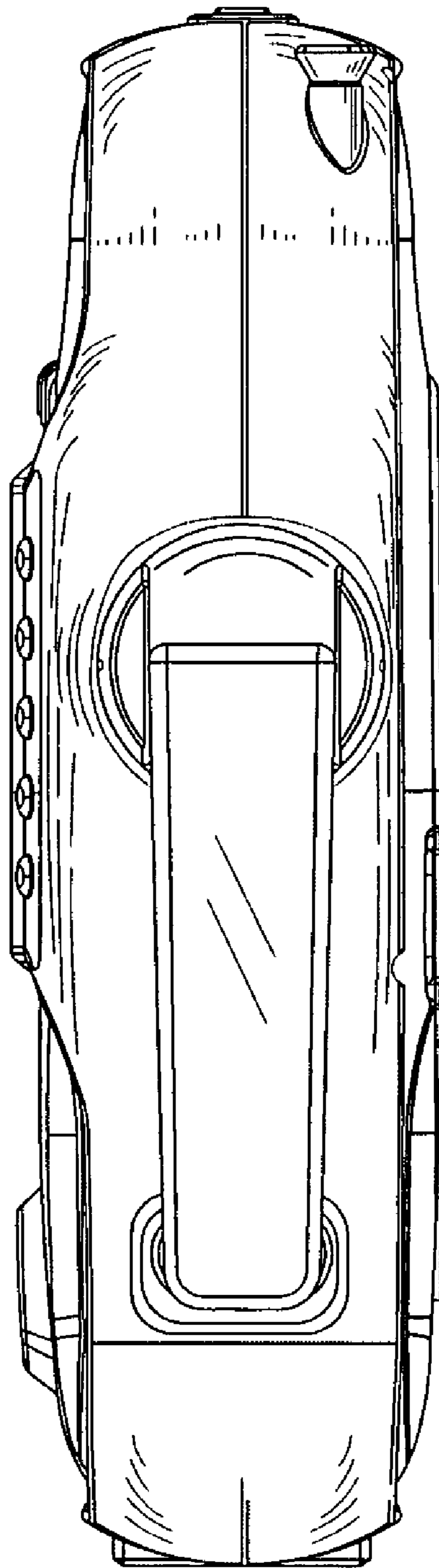


FIG. 4

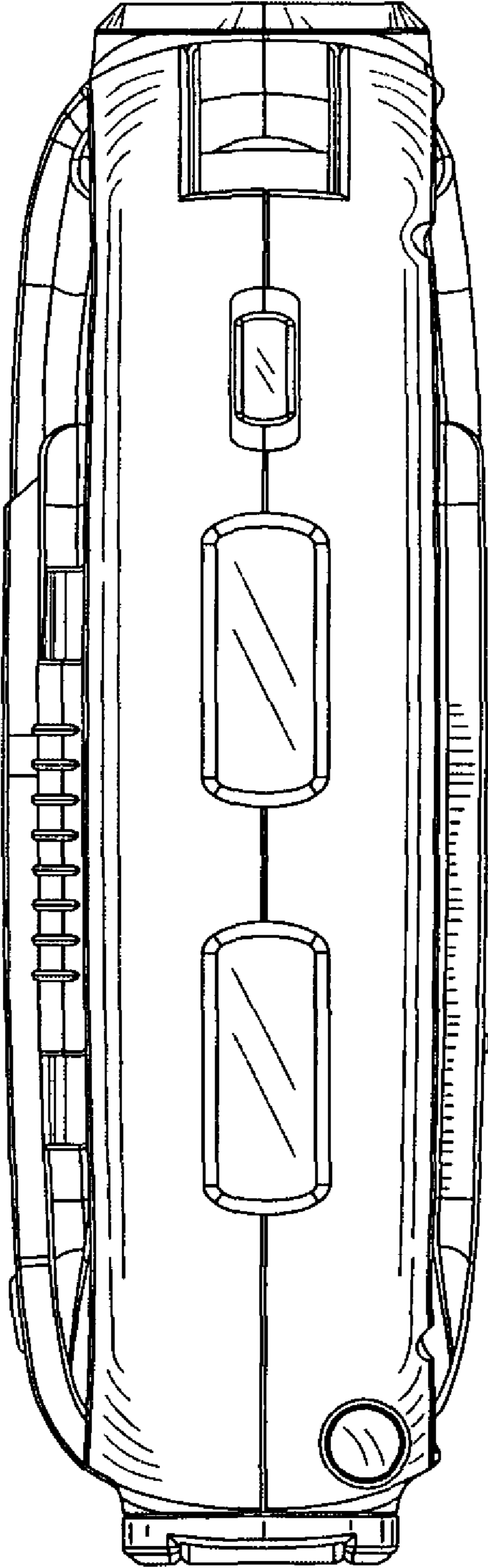


FIG. 5

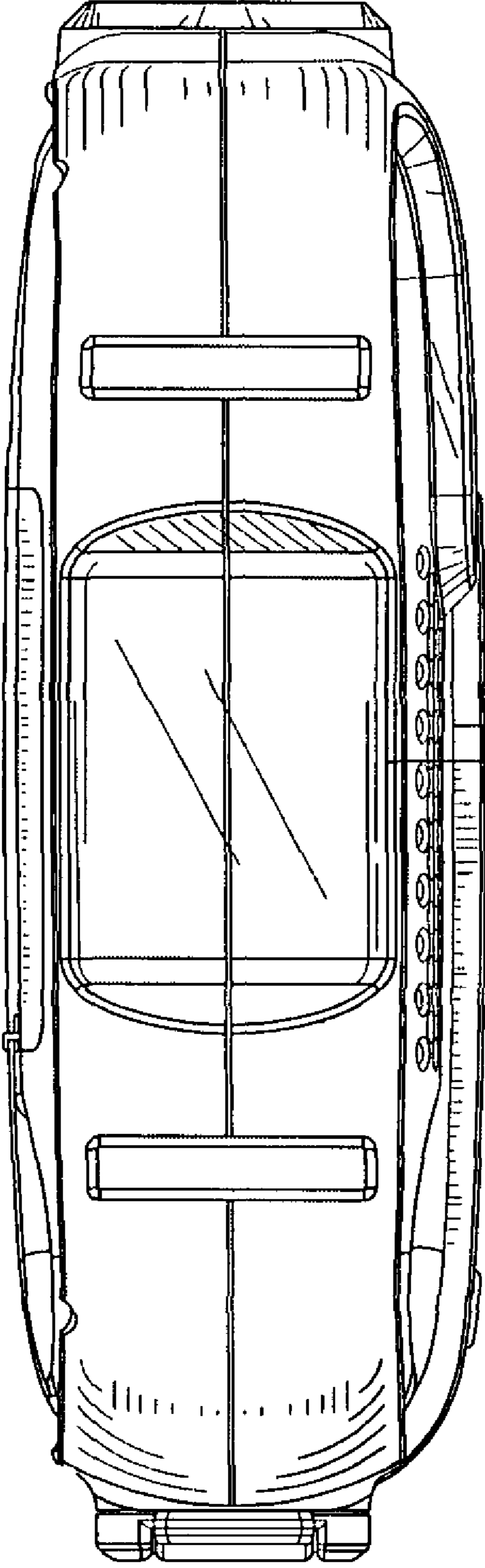


FIG. 6

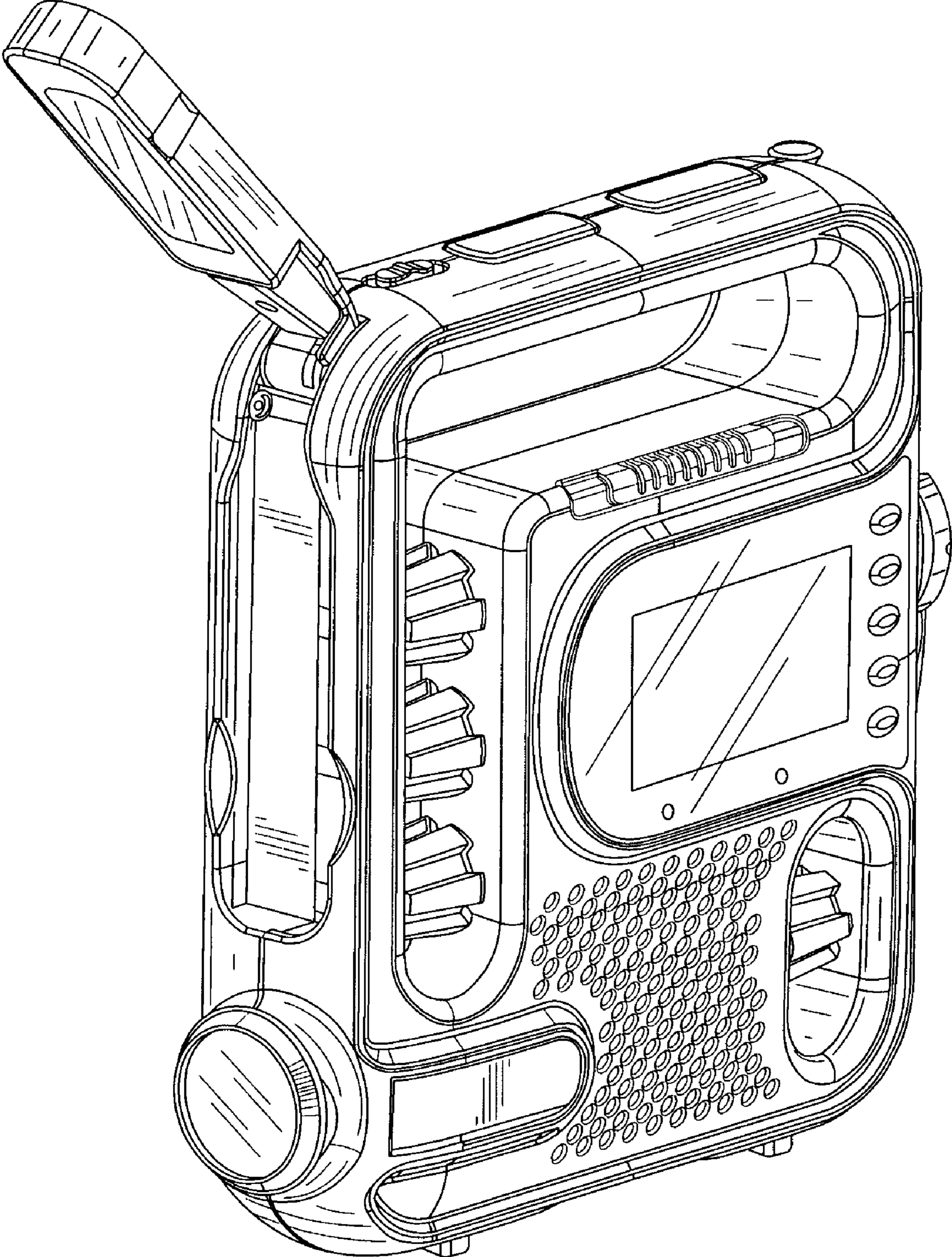


FIG. 7

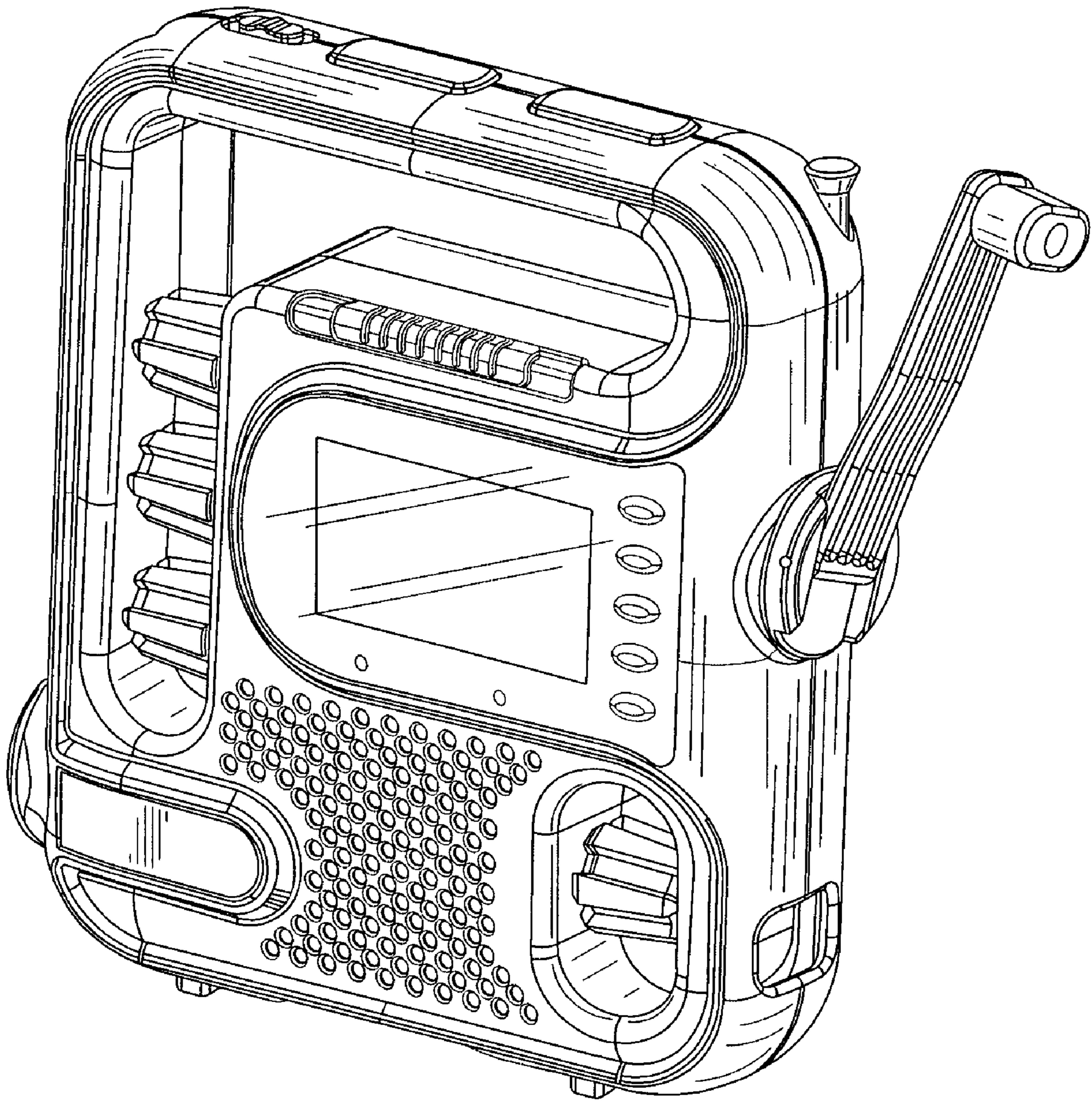


FIG. 8