



US00D625445S

(12) **United States Design Patent**
Takahashi et al.

(10) **Patent No.:** **US D625,445 S**
(45) **Date of Patent:** **** Oct. 12, 2010**

(54) **REAR COMBINATION LAMP FOR AN
AUTOMOBILE**

(75) Inventors: **Makoto Takahashi**, Toyota (JP); **Kenji
Kido**, Toyota (JP)

(73) Assignee: **Toyota Jidosha Kabushiki Kaisha** (JP)

(**) Term: **14 Years**

(21) Appl. No.: **29/351,844**

(22) Filed: **Dec. 11, 2009**

(51) **LOC (9) Cl.** **26-06**

(52) **U.S. Cl.** **D26/28**

(58) **Field of Classification Search** D26/28-36;
362/459-468, 475-478, 485-487
See application file for complete search history.

(56) **References Cited**

U.S. PATENT DOCUMENTS

D556,349 S *	11/2007	Golden et al.	D26/28
D560,291 S *	1/2008	Koyama	D26/28
D561,358 S *	2/2008	Tachibana	D26/28
D563,576 S *	3/2008	Hanaoka	D26/28
D570,016 S *	5/2008	Hsu	D26/28

OTHER PUBLICATIONS

Dacia Logan, <http://www.dacia.ch/ch/DaciaSITE/home/index.html>,
Logan, Prior to Dec. 11, 2009.

Chevrolet Lova, <http://www.lova.com.cn/>, Lova, Prior to Dec. 11,
2009.

* cited by examiner

Primary Examiner—Marcus A Jackson

(74) *Attorney, Agent, or Firm*—SAIDMAN DesignLaw
Group

(57) **CLAIM**

The ornamental design for a rear combination lamp for an
automobile, as shown and described.

DESCRIPTION

FIG. 1 is a front perspective view of a rear combination lamp
for an automobile showing our new design;

FIG. 2 is a front view thereof;

FIG. 3 is a right-side view thereof;

FIG. 4 is a left-side view thereof;

FIG. 5 is a top view thereof; and,

FIG. 6 is a bottom view thereof.

1 Claim, 3 Drawing Sheets

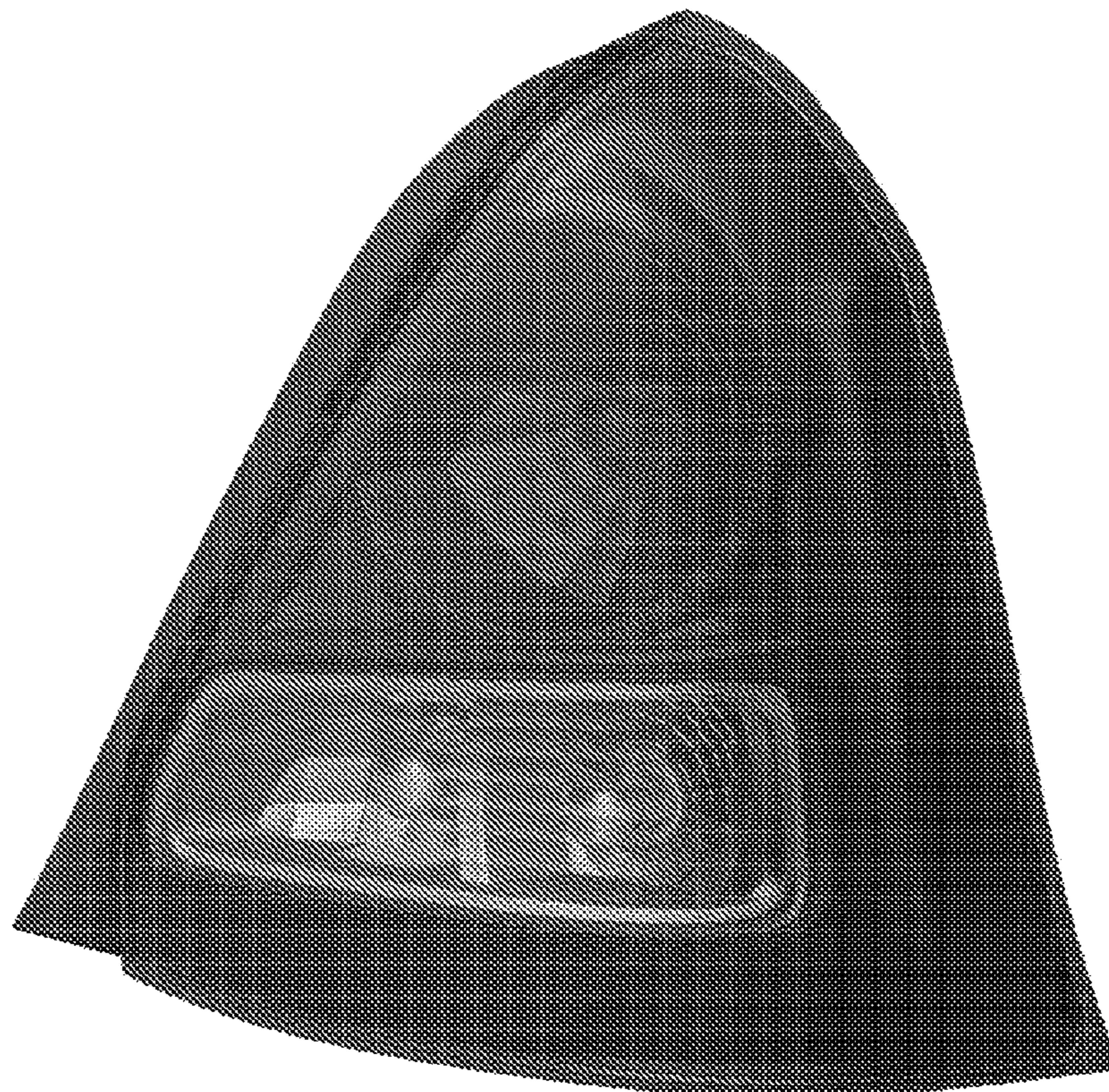


Fig. 1

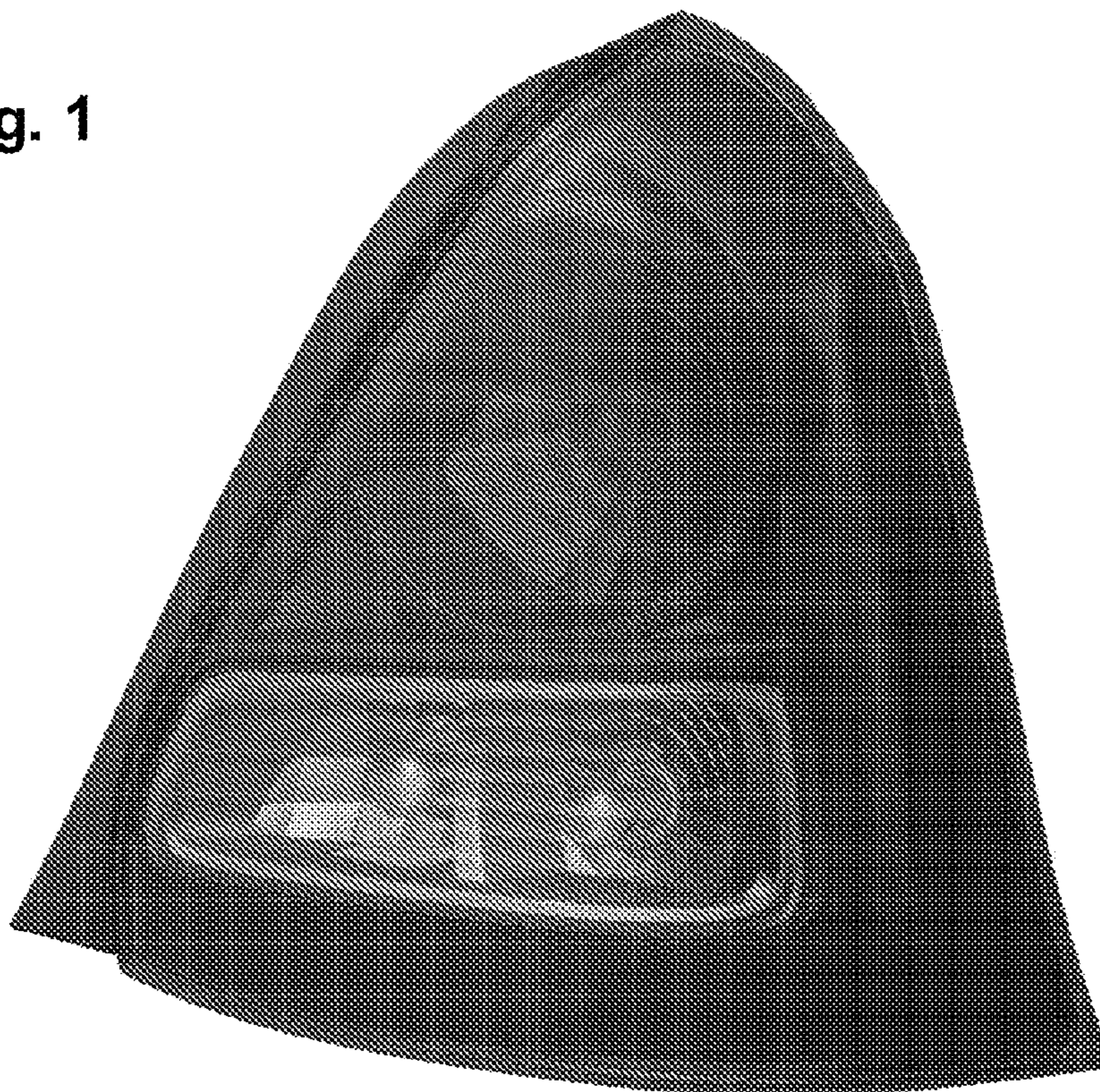


Fig. 2

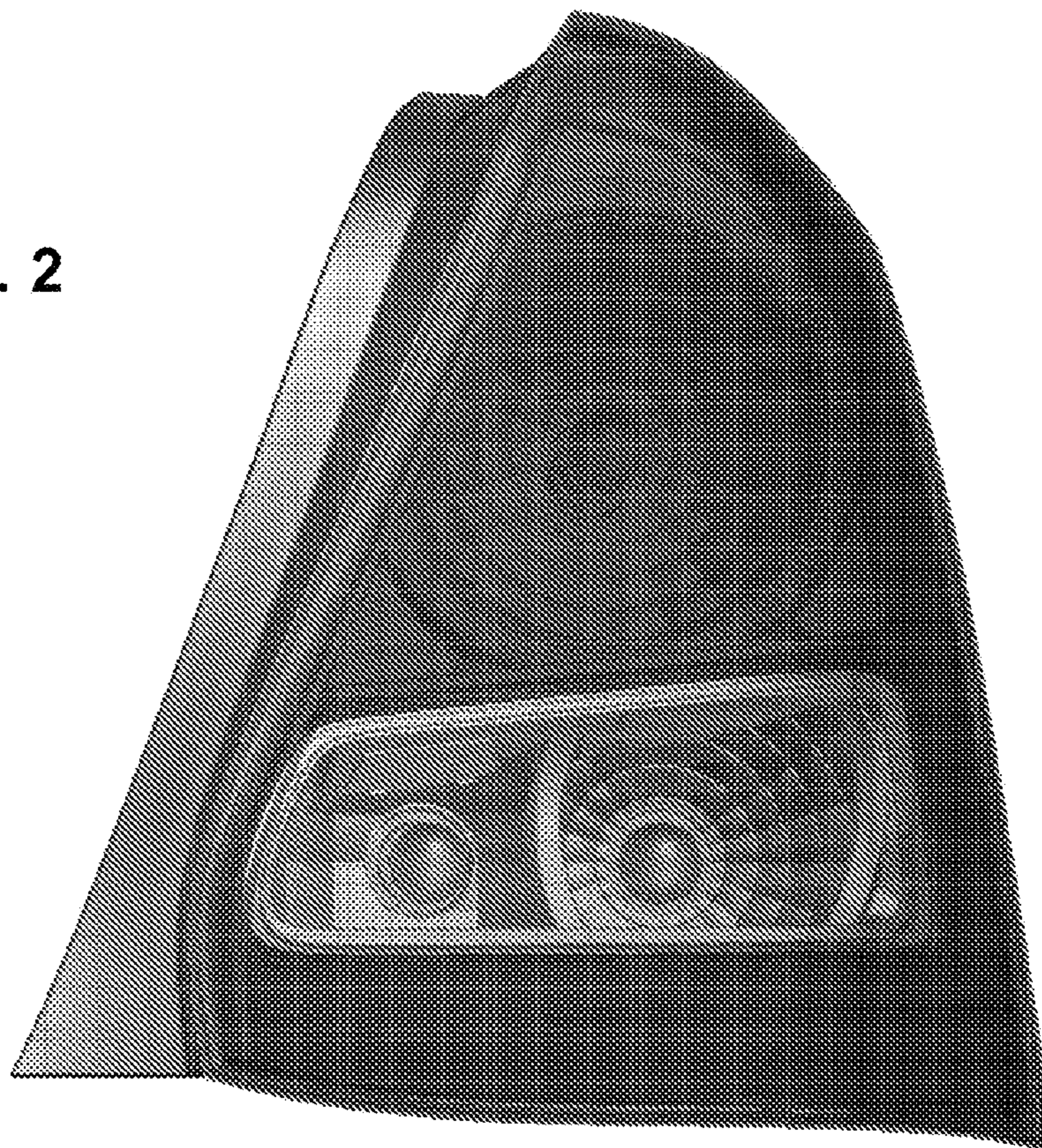


Fig. 3

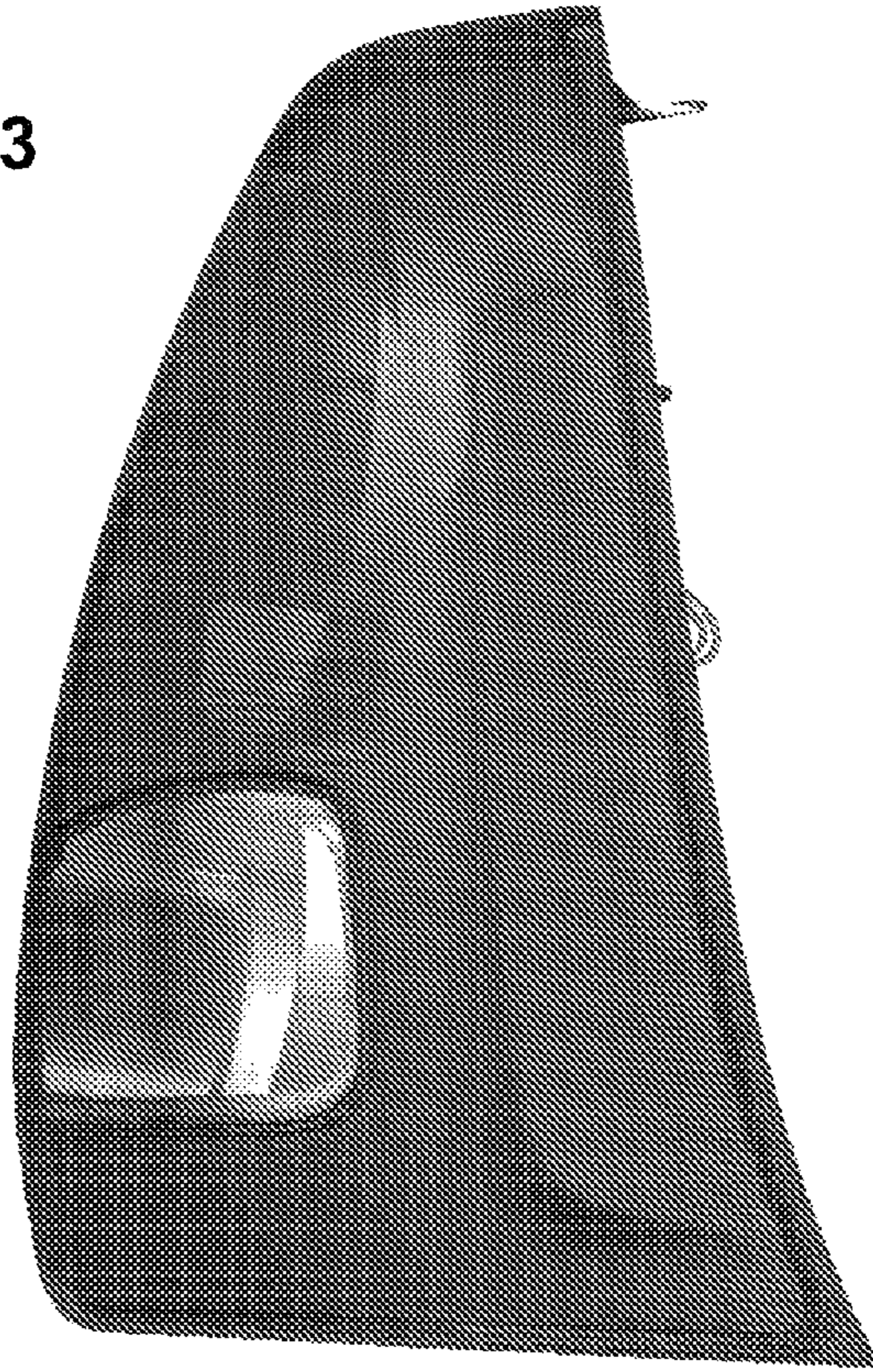


Fig. 4

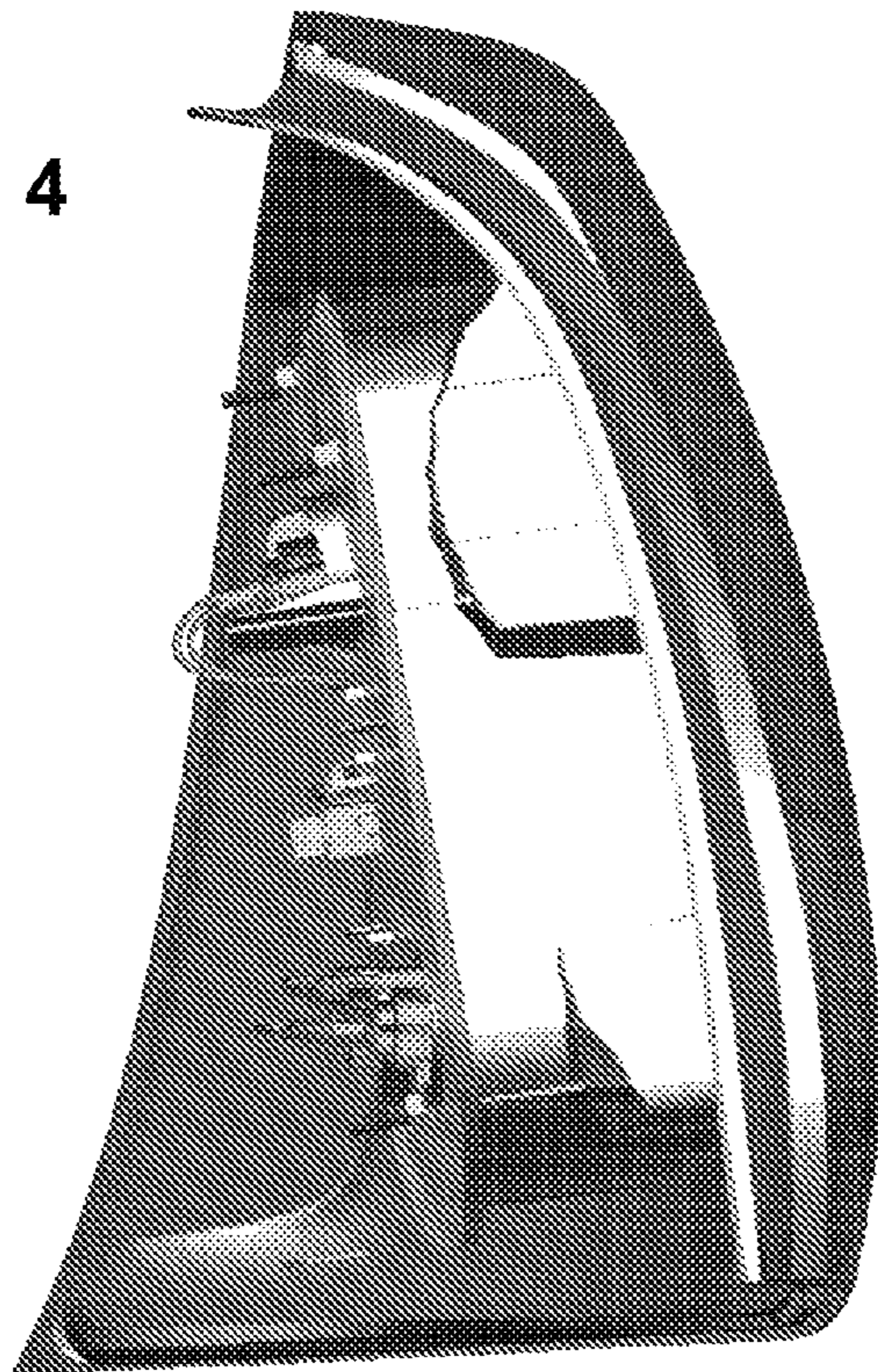


Fig. 5

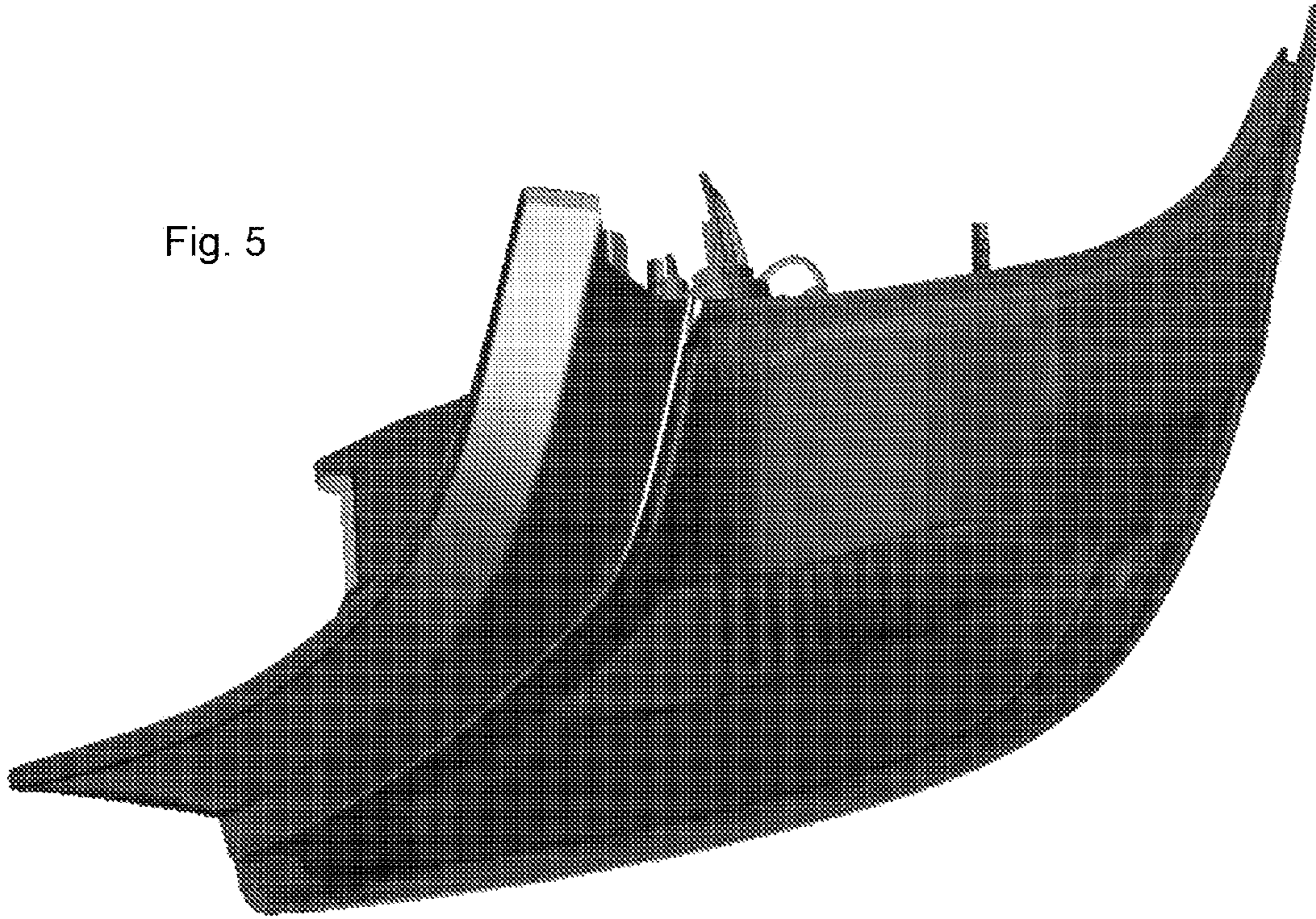


Fig. 6

