



US00D625443S

(12) **United States Design Patent**
Herbin et al.

(10) **Patent No.:** **US D625,443 S**
(45) **Date of Patent:** **** Oct. 12, 2010**

(54) **LIGHTING DEVICES FOR VEHICLES**

(75) Inventors: **Cyril Herbin**, Potelle (FR); **Remi Maliar**, Saint-Saulve (FR); **Benony Grigorescu**, Waterloo (BE)

(73) Assignee: **Valeo Vision**, Bobigny (FR)

(**) Term: **14 Years**

(21) Appl. No.: **29/323,887**

(22) Filed: **Sep. 3, 2008**

(30) **Foreign Application Priority Data**

Mar. 4, 2008 (WO) D60/431485201

(51) **LOC (9) Cl.** **26-04**

(52) **U.S. Cl.** **D26/28**

(58) **Field of Classification Search** D26/28-36;
362/459-468, 475-478, 485-487
See application file for complete search history.

(56) **References Cited**

U.S. PATENT DOCUMENTS

D523,168 S * 6/2006 Reed et al. D26/139
D563,576 S * 3/2008 Hanaoka D26/28
D570,016 S * 5/2008 Hsu D26/28

FOREIGN PATENT DOCUMENTS

EM 000261870-0001 A1 2/2005
EM 000261870-0002 A1 2/2005
EM 000267372-0001 A1 2/2005
EM 000237094-0001 A1 3/2007

EM 000237094-0002 A1 3/2007
EM 000237094-0003 A1 3/2007
EM 000377122-0001 A1 1/2008
EM 000344130-0001 A1 7/2008
FR 032187-001 A1 5/2006
FR 032187-002 A1 5/2006

* cited by examiner

Primary Examiner—Marcus A Jackson

(74) *Attorney, Agent, or Firm*—Jacox, Meckstroth & Jenkins

(57) **CLAIM**

The ornamental design for lighting devices for vehicles, as shown and described.

DESCRIPTION

FIG. 1 is a perspective view illustrating a reflector in a housing with the housing not forming part of the design and phantomed to show an environment in which the reflector is positioned;

FIG. 2 is a right side view, with the left side view being substantially a mirror image;

FIG. 3 is a front view of the reflector shown in FIG. 1;

FIG. 4 is a top view of the reflector shown in FIG. 1;

FIG. 5 is a bottom view of the reflector shown in FIG. 1;

FIG. 6 is a rear view of the reflector shown in FIG. 1;

FIG. 7 is a sectional view taken along line 7—7 in FIG. 3;

FIG. 8 is a sectional view taken along the line 8—8 in FIG. 3; and,

FIG. 9 is a sectional view taken along the line 9—9 in FIG. 3.

1 Claim, 3 Drawing Sheets

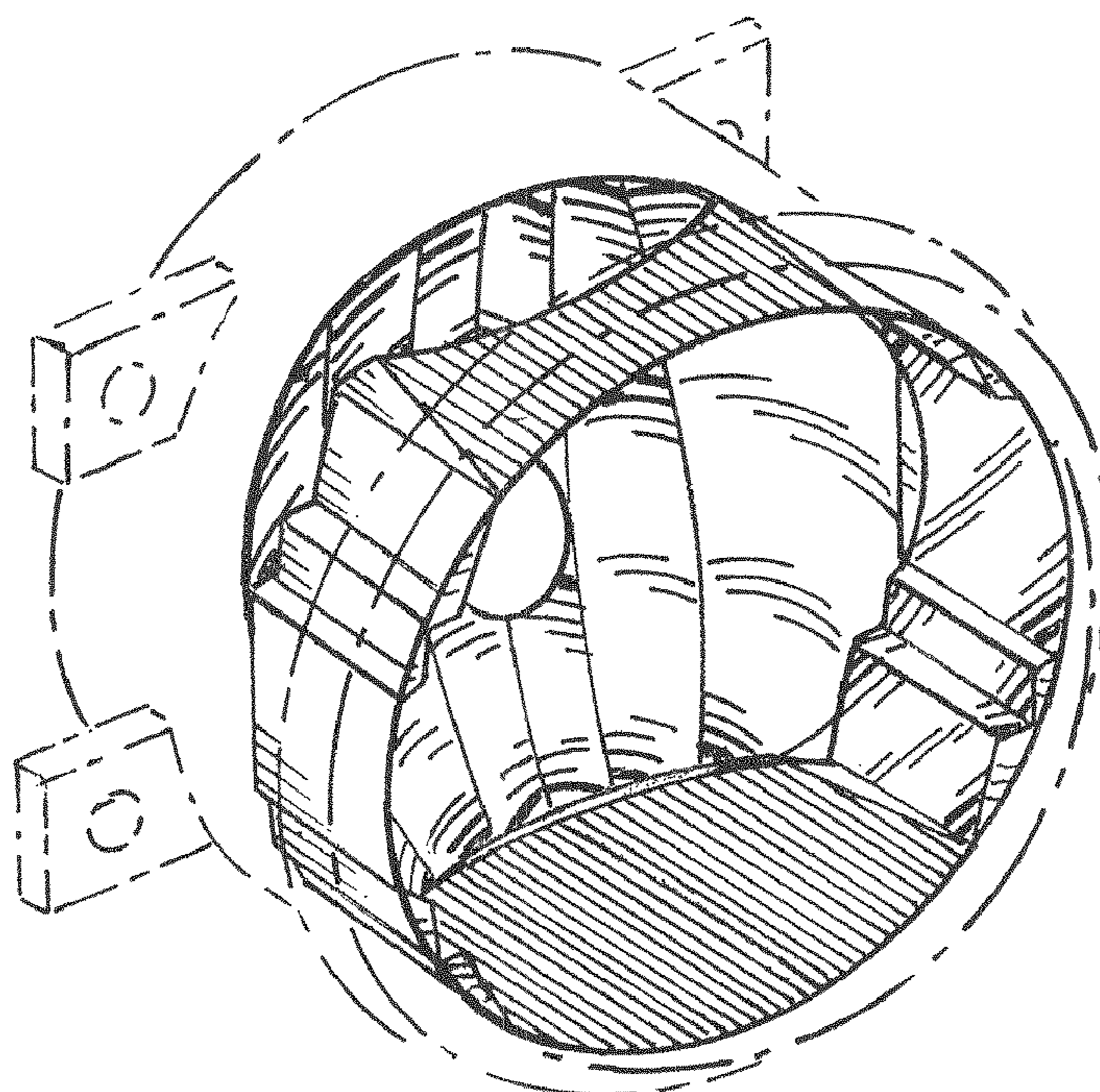


FIG-1

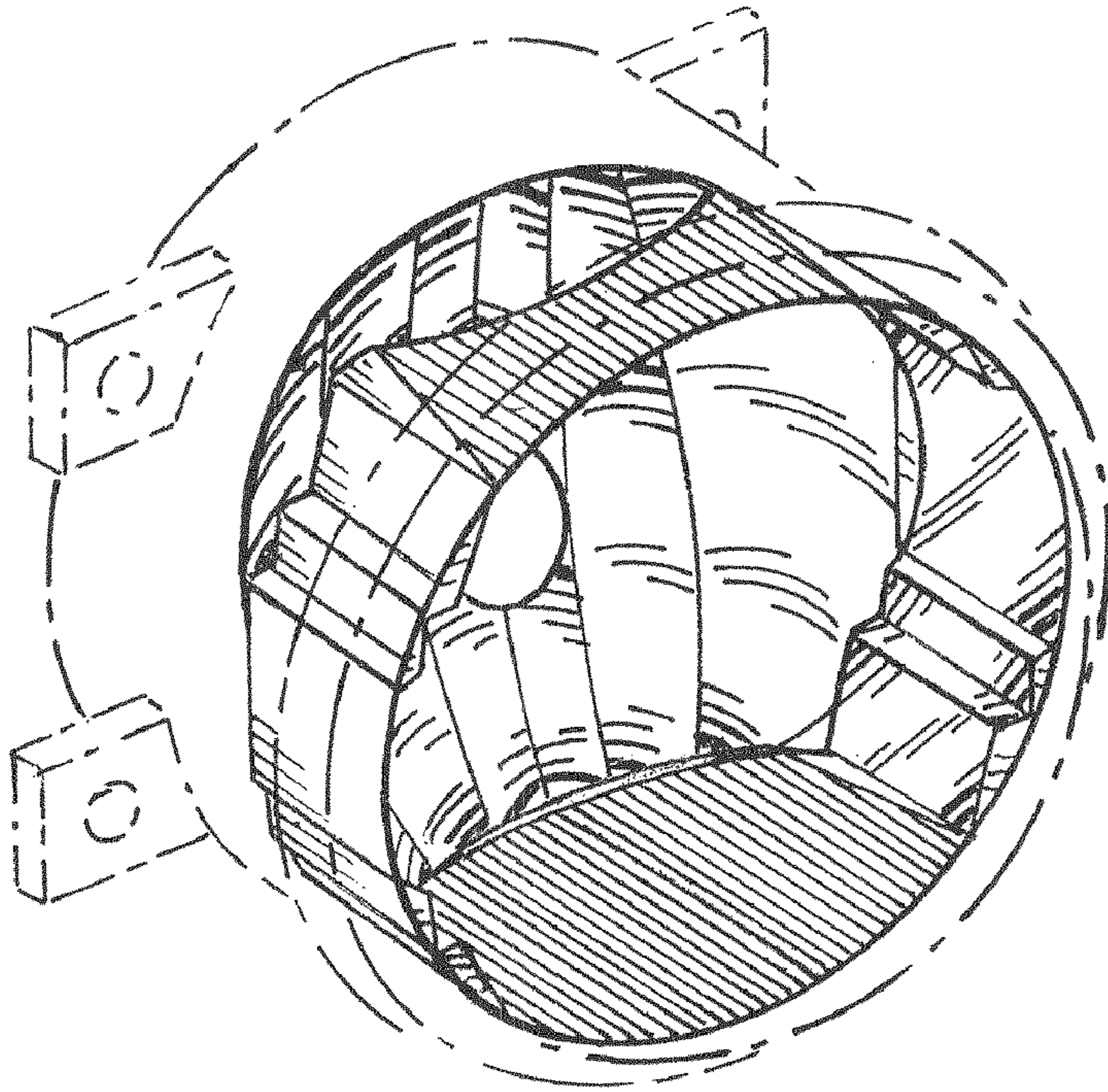


FIG-2

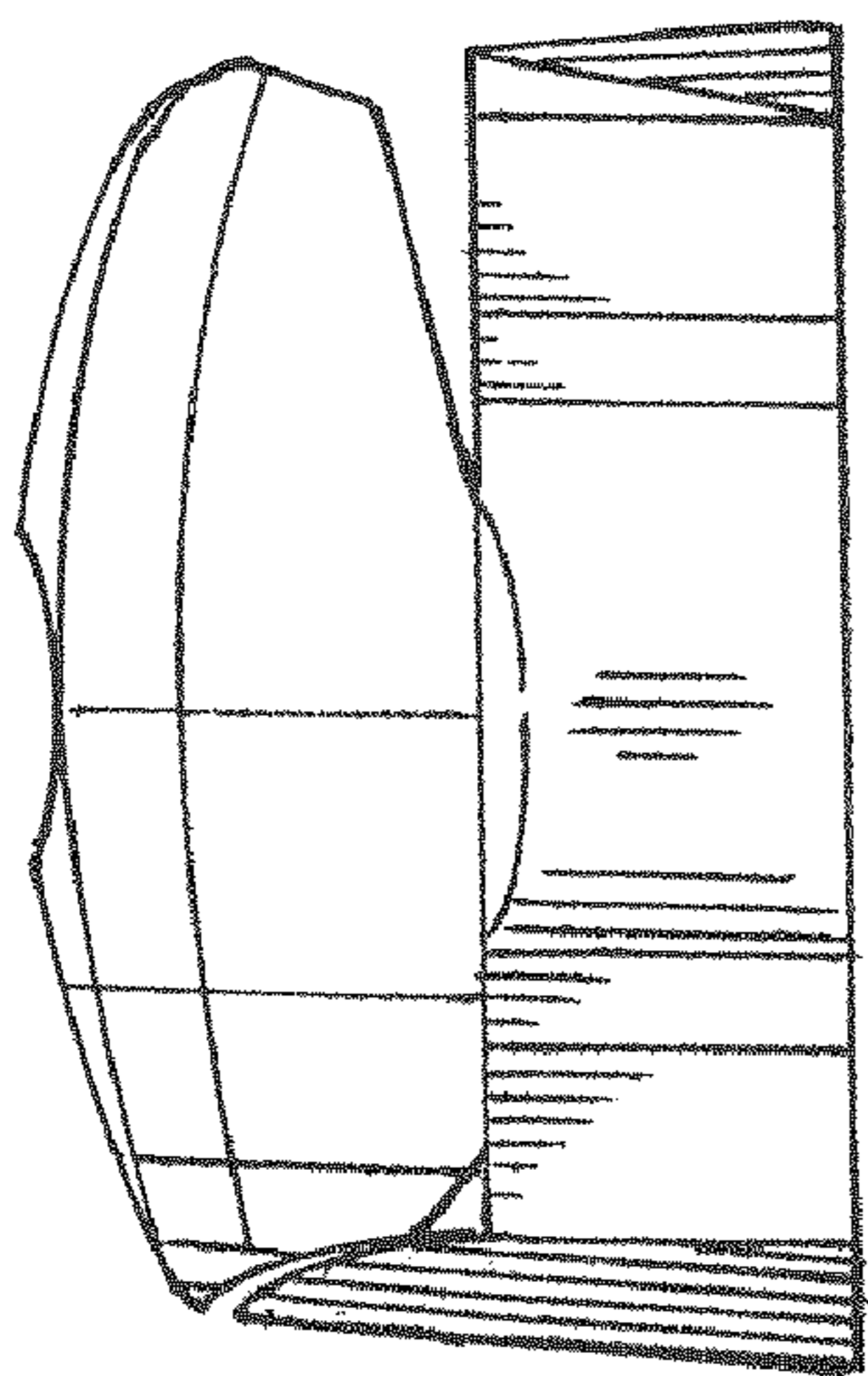


FIG-3

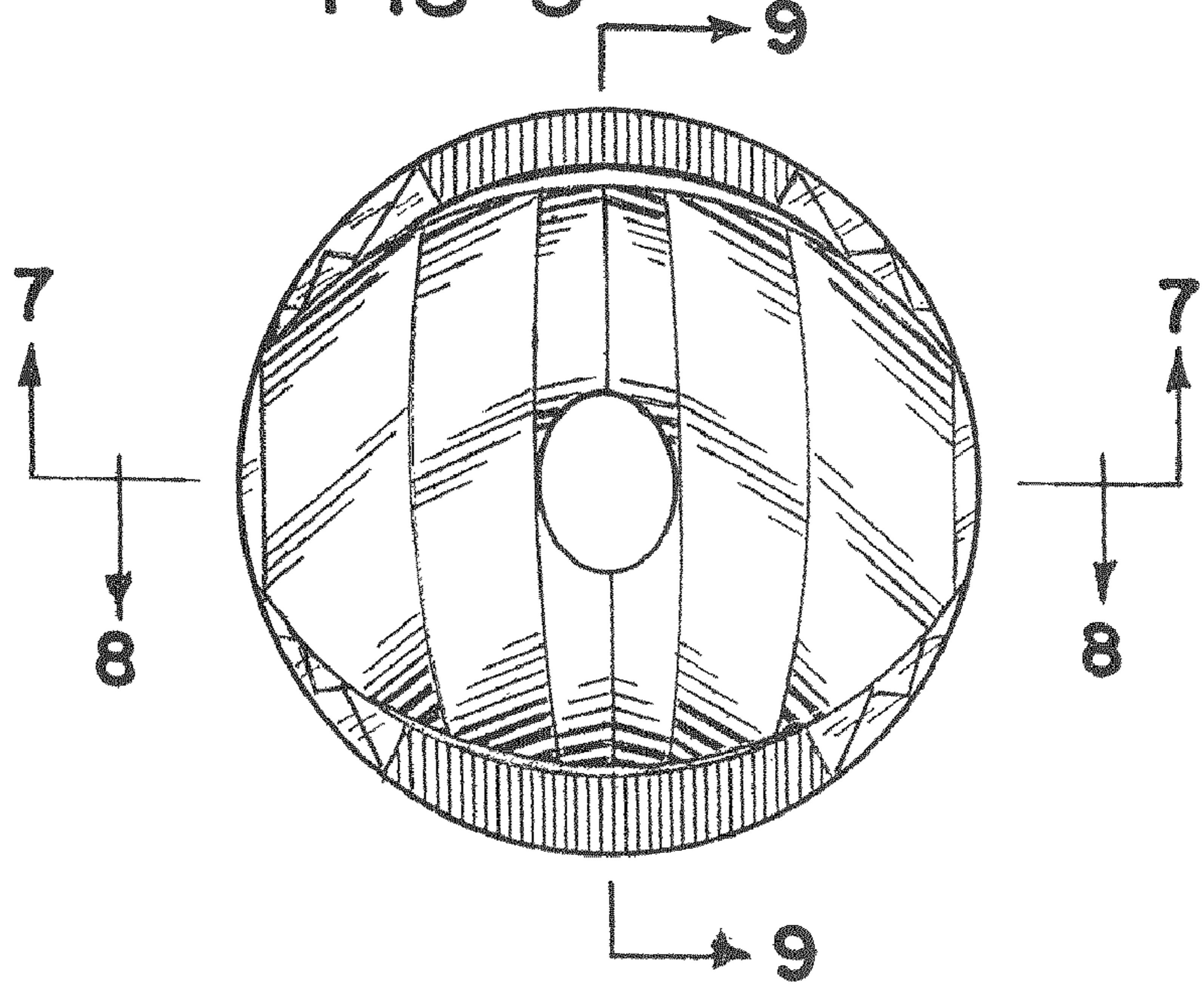


FIG-4

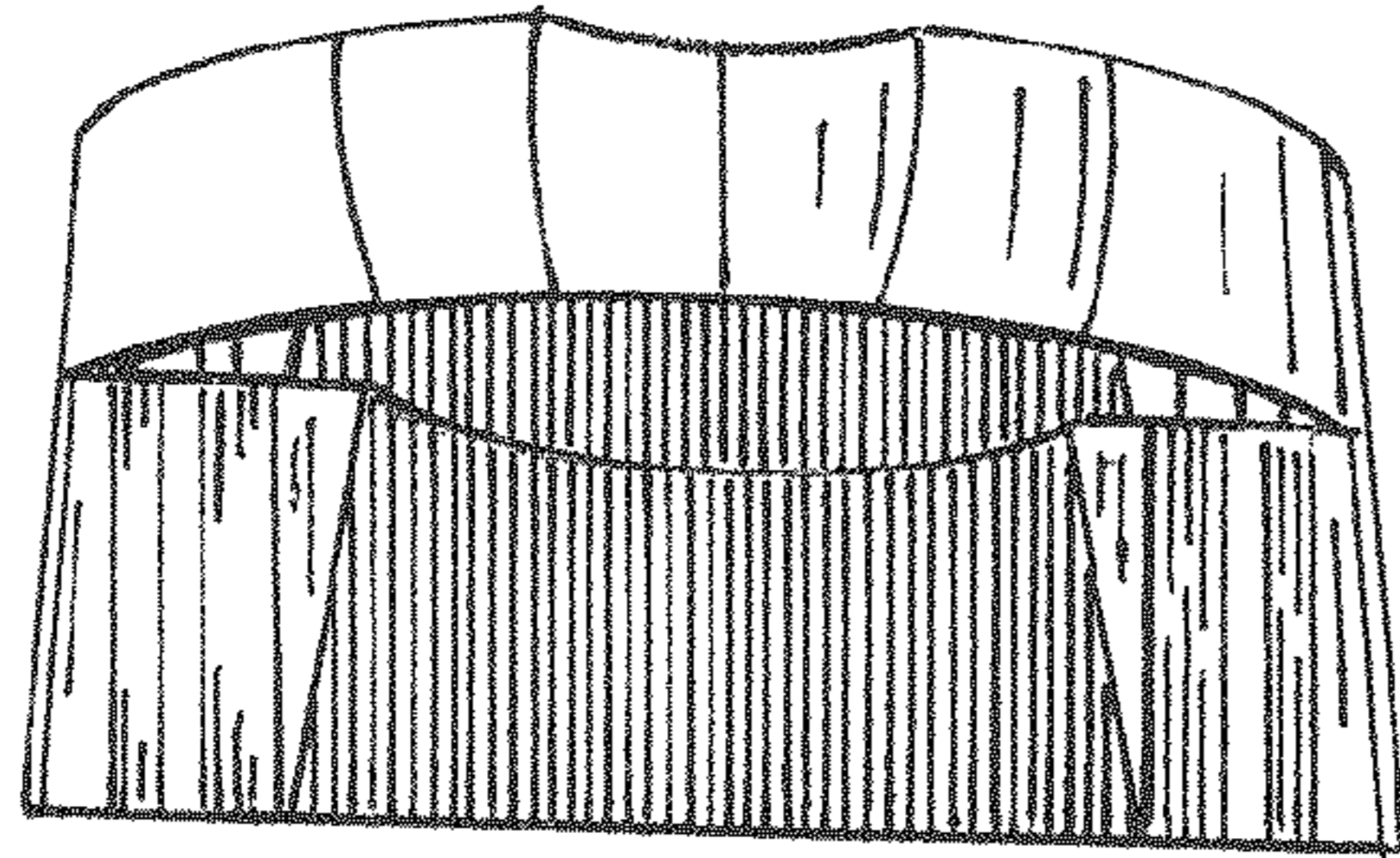


FIG-5

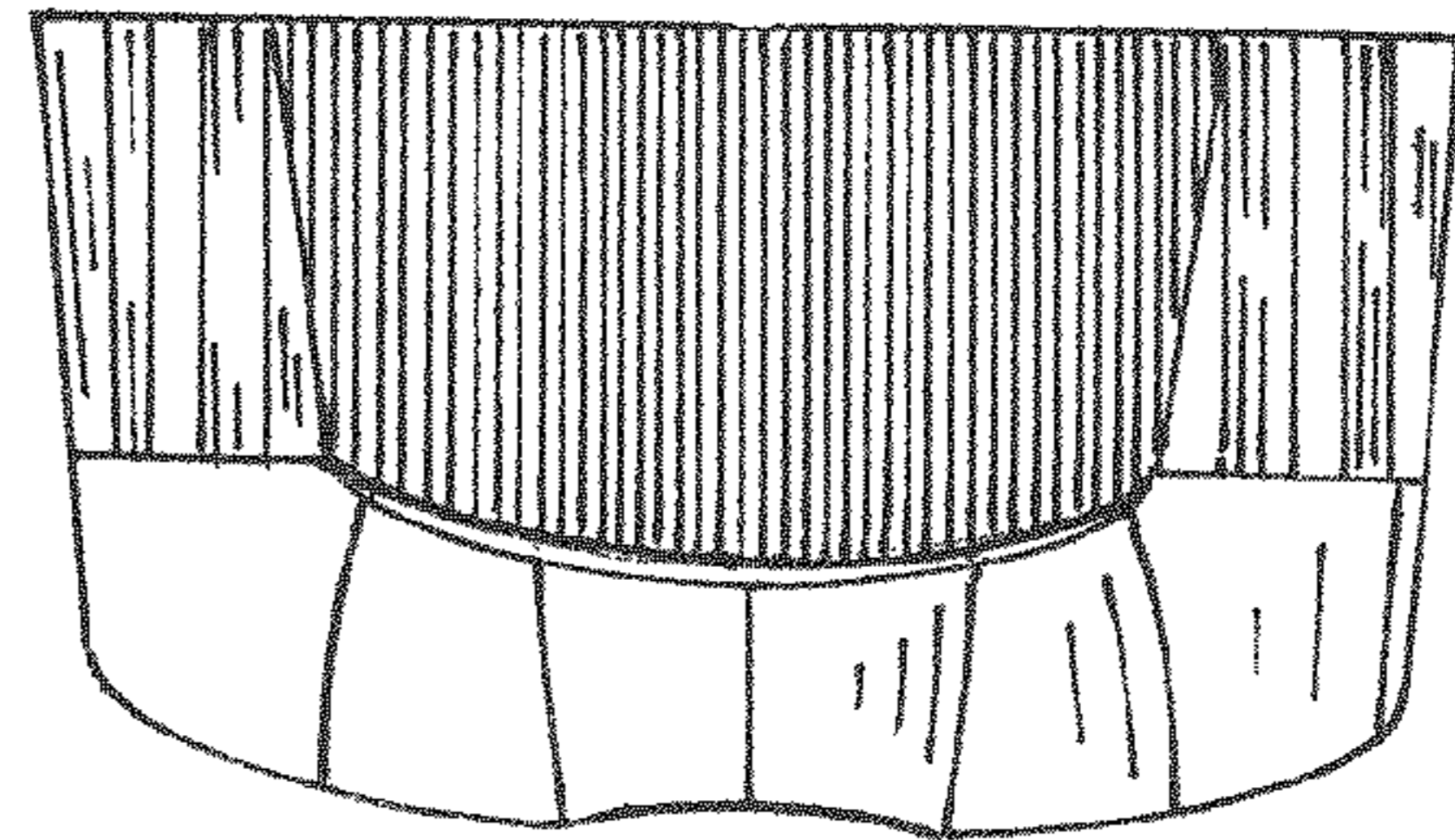


FIG-6

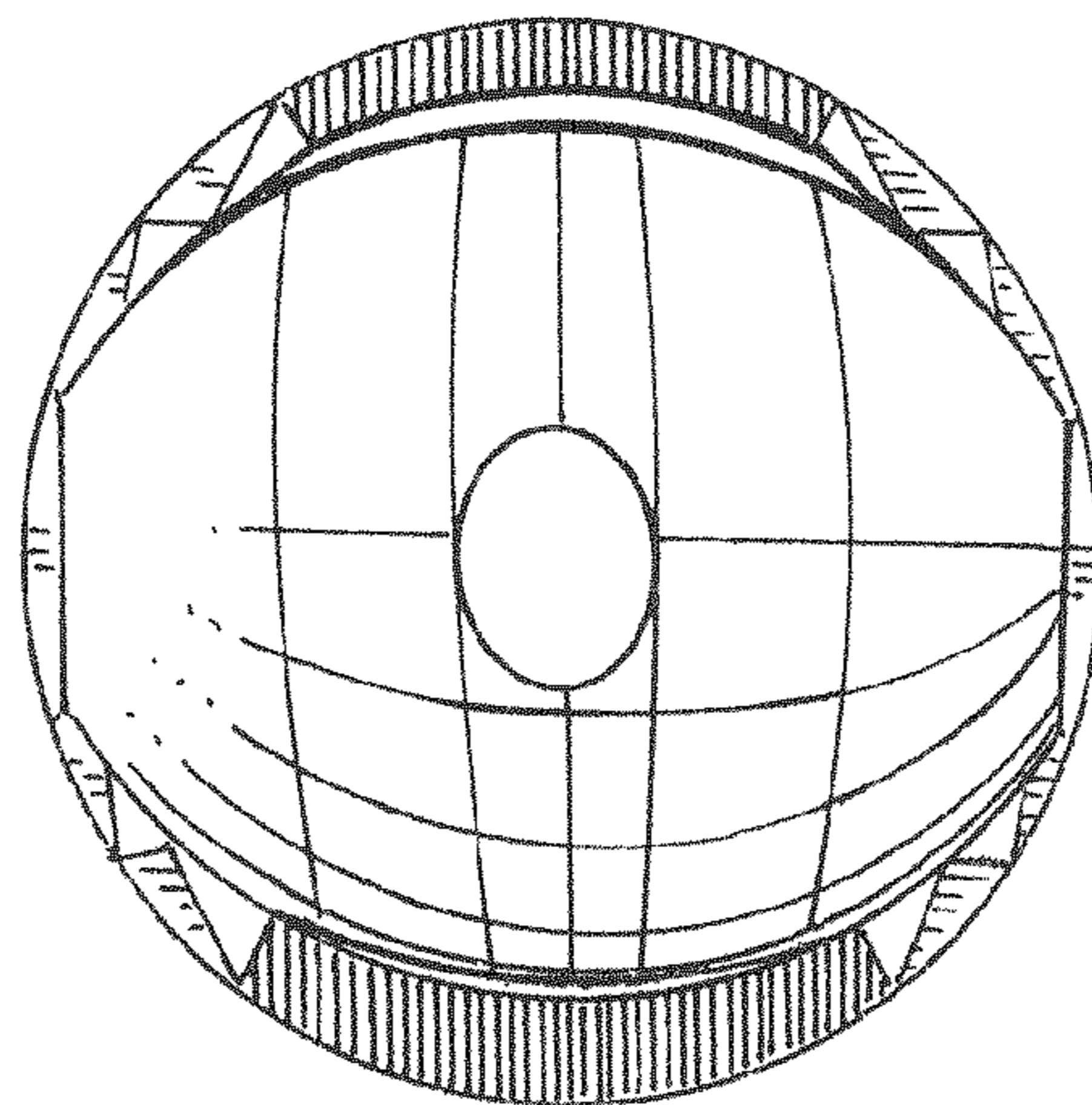


FIG-7

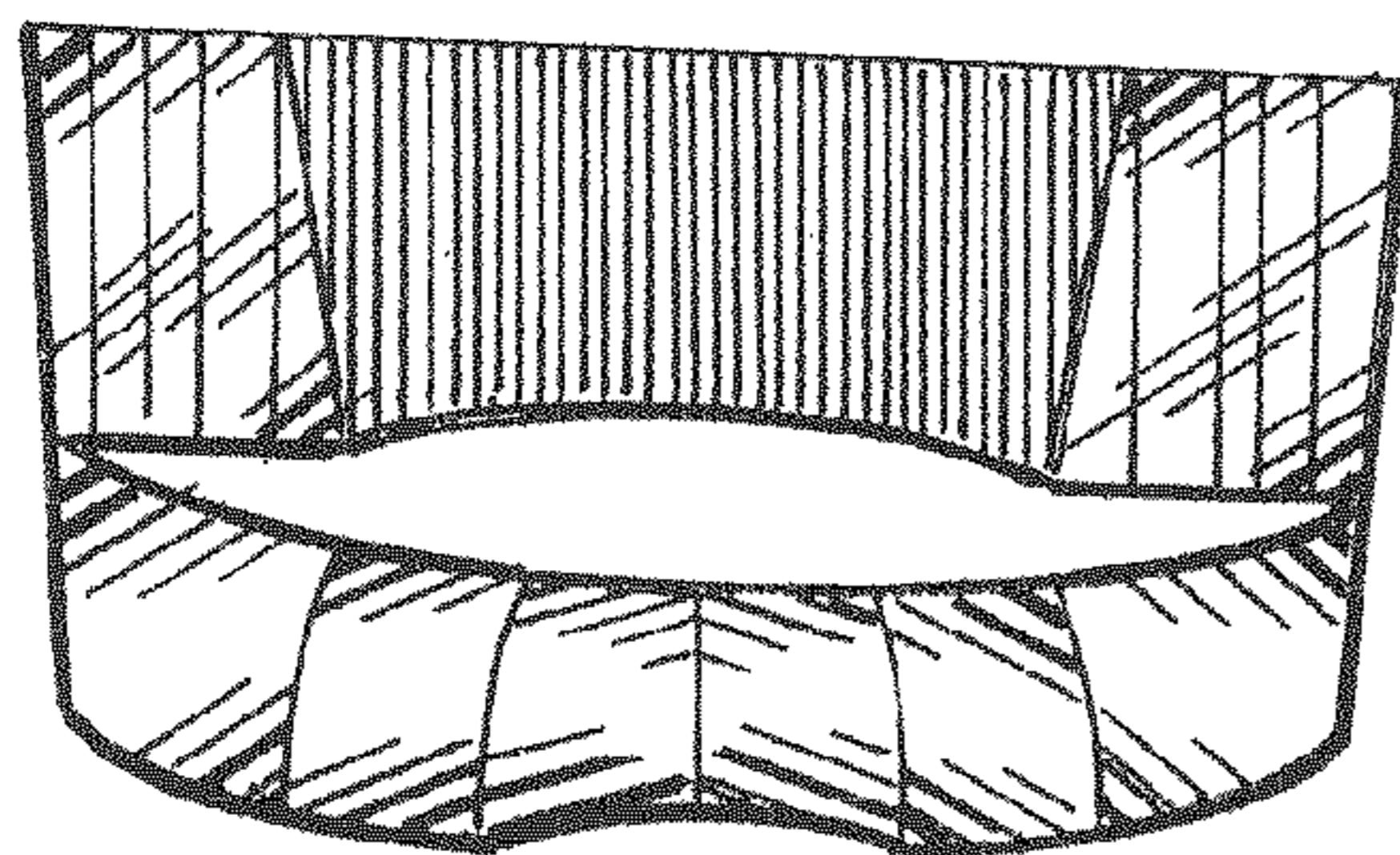


FIG-8

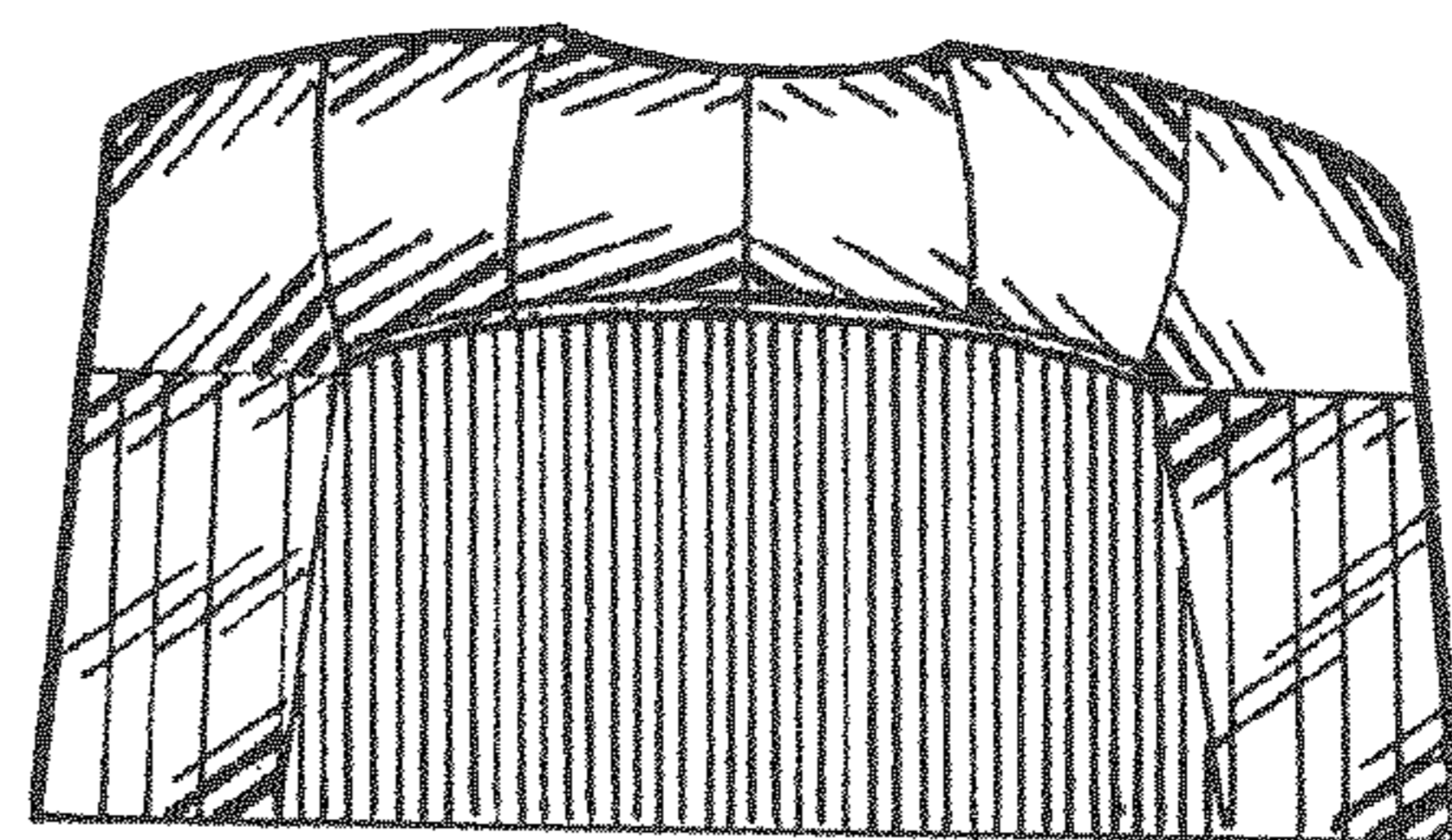


FIG-9

