



US00D625441S

(12) **United States Design Patent**
Lusi

(10) **Patent No.:** **US D625,441 S**
(45) **Date of Patent:** **** Oct. 12, 2010**

(54) **WINDOW CANDLE HOLDER**

(76) Inventor: **Carmella Mary Lusi**, 600 Buckingham Dr., Sewell, NJ (US) 08080

(**) Term: **14 Years**

(21) Appl. No.: **29/364,702**

(22) Filed: **Jun. 28, 2010**

Related U.S. Application Data

(62) Division of application No. 29/351,116, filed on Nov. 30, 2009, now Pat. No. Des. 621,977.

(51) **LOC (9) Cl.** **26-01**

(52) **U.S. Cl.** **D26/9; D26/23**

(58) **Field of Classification Search** D26/9-23, D26/114-137; D8/349, 354, 355, 356, 363, D8/364, 365, 373, 380, 382, 394, 395, 396; 428/7-9, 11; 431/291, 311, 320, 298; 362/161-163, 362/351, 392

See application file for complete search history.

(56) **References Cited**

U.S. PATENT DOCUMENTS

3,540,687 A * 11/1970 Cuva 248/223.41
5,199,781 A * 4/1993 Sweeny 362/145
5,249,108 A * 9/1993 Gary 362/388
D393,098 S * 3/1998 Adams D26/138

D403,440 S * 12/1998 Holmes et al. D26/9
7,278,765 B2 * 10/2007 Cooper et al. 362/392
7,651,063 B2 * 1/2010 Jensen 248/206.2
2007/0211481 A1 * 9/2007 Cooper et al. 362/392

* cited by examiner

Primary Examiner—T. Chase Nelson

Assistant Examiner—Ania K Dworzecka

(74) *Attorney, Agent, or Firm*—Ash Tankha; IP Legal Services

(57) **CLAIM**

The ornamental design for a window candle holder, as shown and described.

DESCRIPTION

FIG. 1 is a perspective view of a window candle holder showing my new design;

FIG. 2 is a top plan view;

FIG. 3 is a rear elevation view;

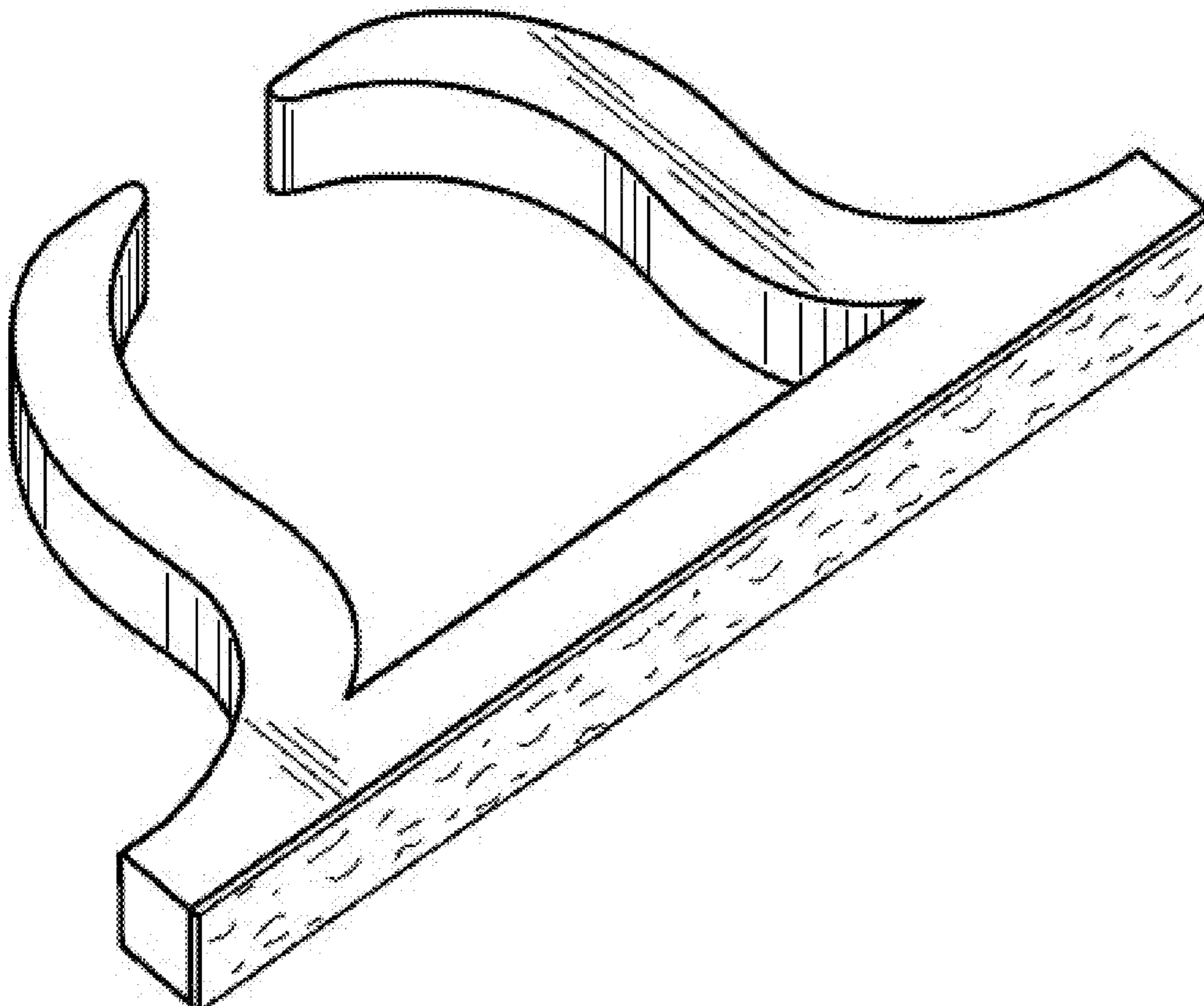
FIG. 4 is a front elevation view;

FIG. 5 is a side elevation view; and,

FIG. 6 is a perspective view of a window candle holder shown in use.

The broken lines depict environmental structure that forms no part of the claimed design.

1 Claim, 5 Drawing Sheets



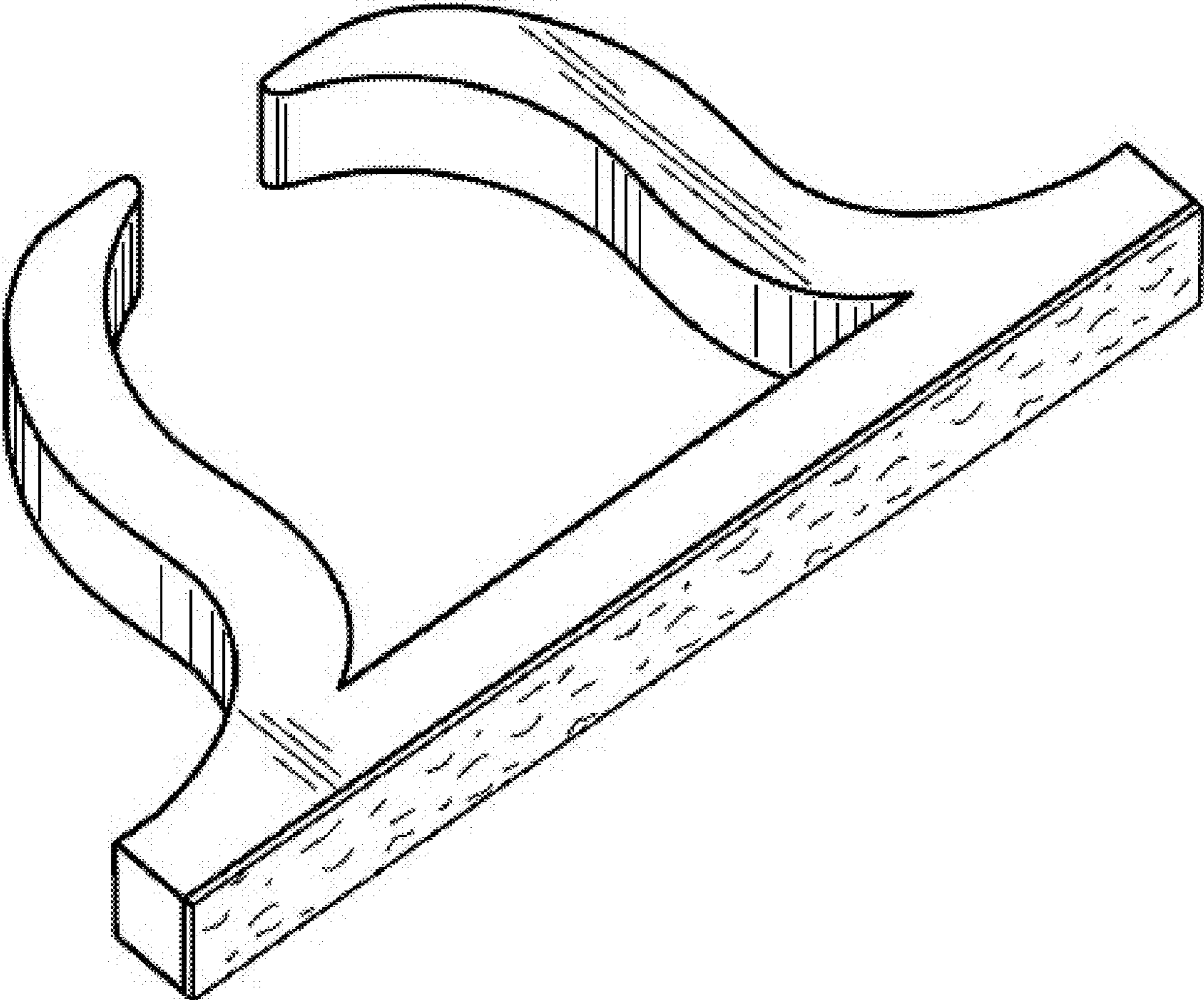


FIG. 1

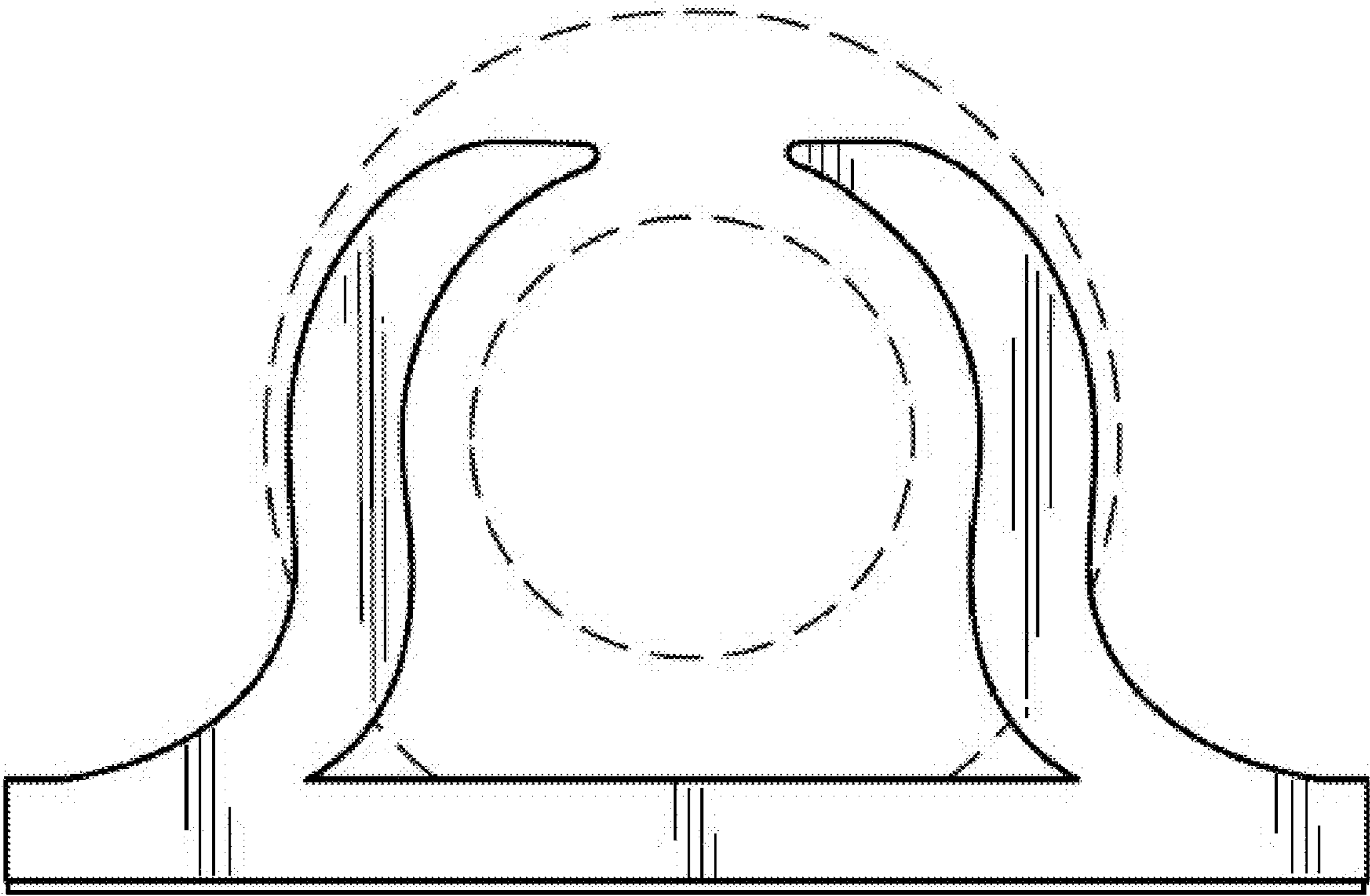


FIG. 2



FIG. 3

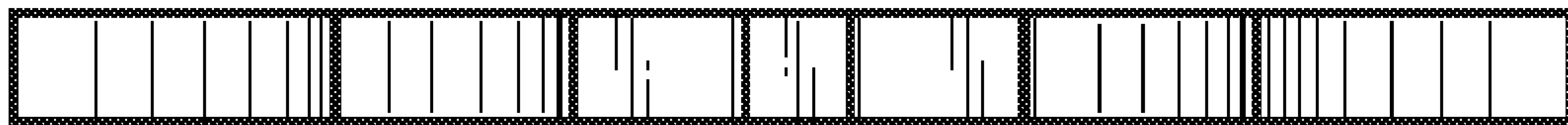


FIG. 4

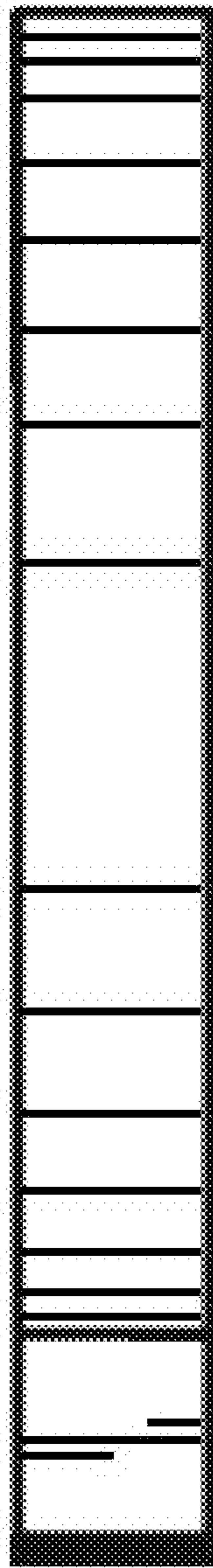


FIG. 5

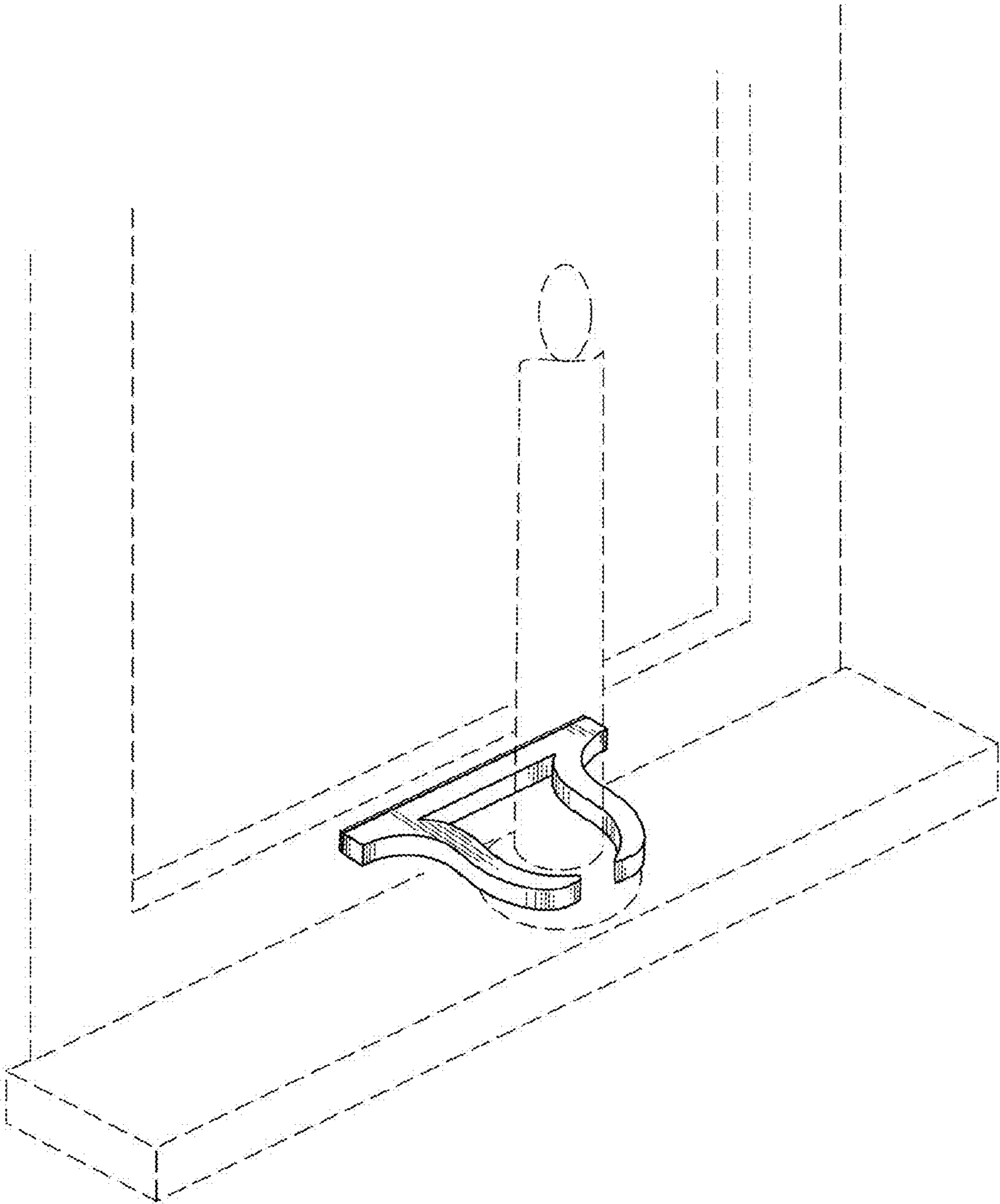


FIG. 6