



US00D625438S

(12) **United States Design Patent**
Lai et al.

(10) **Patent No.:** **US D625,438 S**
(45) **Date of Patent:** **** Oct. 12, 2010**

(54) **LIGHT EMITTING DIODE BULB**

D594,998 S * 6/2009 Zhu et al. D26/2
D607,586 S * 1/2010 Ko D26/2
D618,370 S * 6/2010 Lai et al. D26/2

(75) Inventors: **Chih-Ming Lai**, Miao-Li Hsien (TW);
Ming-Young Shiao, Miao-Li Hsien
(TW)

* cited by examiner

(73) Assignee: **Foxsemicon Integrated Technology, Inc.**, Chu-Nan, Miao-Li Hsien (TW)

Primary Examiner—Marcus A Jackson
(74) *Attorney, Agent, or Firm*—Raymond J. Chew

(**) Term: **14 Years**

(57) **CLAIM**

(21) Appl. No.: **29/353,199**

The ornamental design for an light emitting diode bulb, as shown.

(22) Filed: **Jan. 5, 2010**

(30) **Foreign Application Priority Data**

DESCRIPTION

Oct. 26, 2009 (CN) 2009 3 0321491

(51) **LOC (9) Cl.** **26-04**

FIG. 1 is a perspective view of an light emitting diode bulb in one operational state.

(52) **U.S. Cl.** **D26/2**

FIG. 2 is a front elevational view thereof.

(58) **Field of Classification Search** D26/1-4;
313/313, 315, 316, 317, 318, 493; 315/52,
315/53, 56, 57, 58

FIG. 3 is a rear elevational view thereof.

See application file for complete search history.

FIG. 4 is a left-side, elevational view thereof.

FIG. 5 is a right-side, elevational view thereof.

(56) **References Cited**

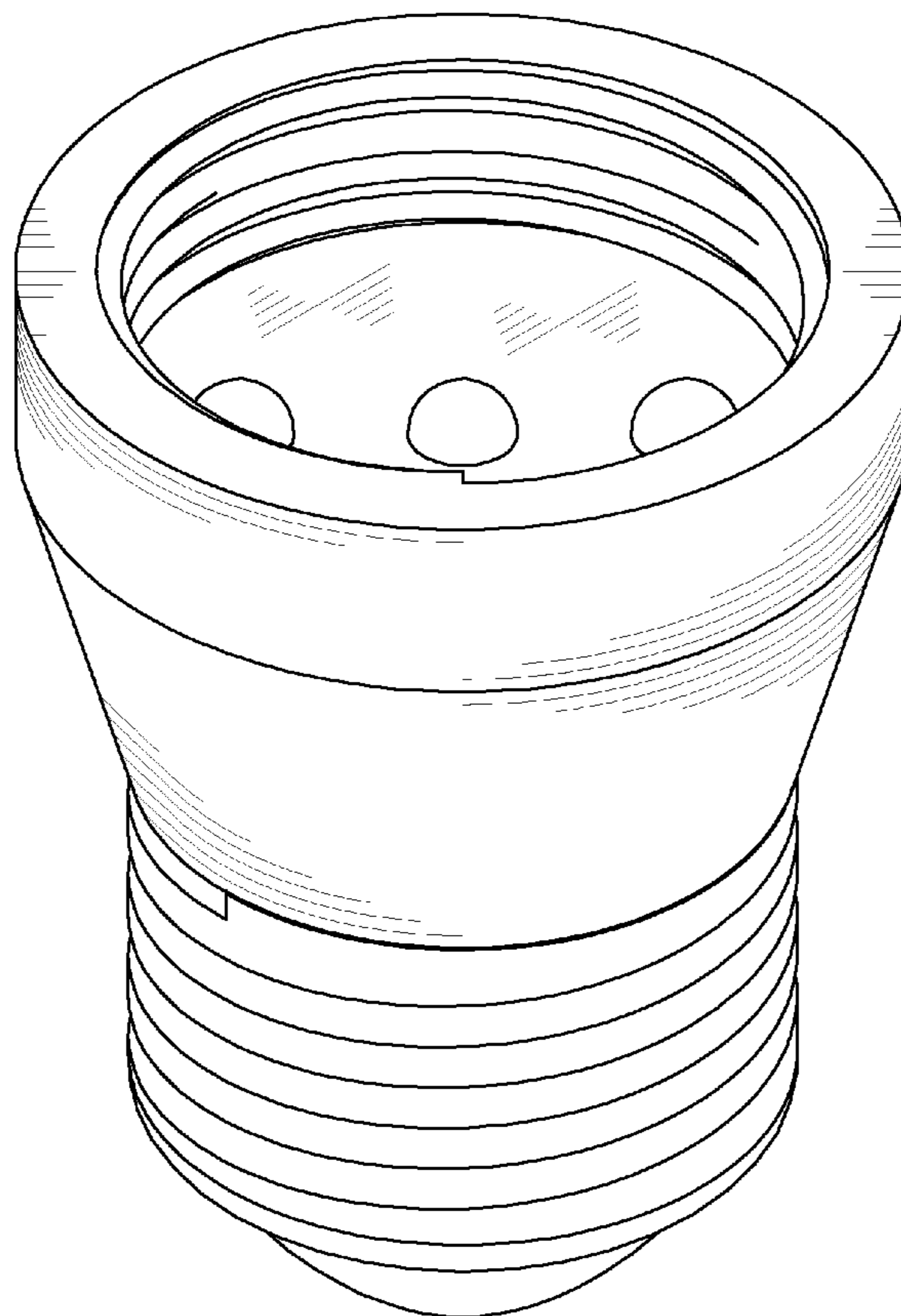
FIG. 6 is a top plan view thereof; and,

FIG. 7 is a bottom plan view thereof.

U.S. PATENT DOCUMENTS

D584,838 S * 1/2009 To et al. D26/2

1 Claim, 7 Drawing Sheets



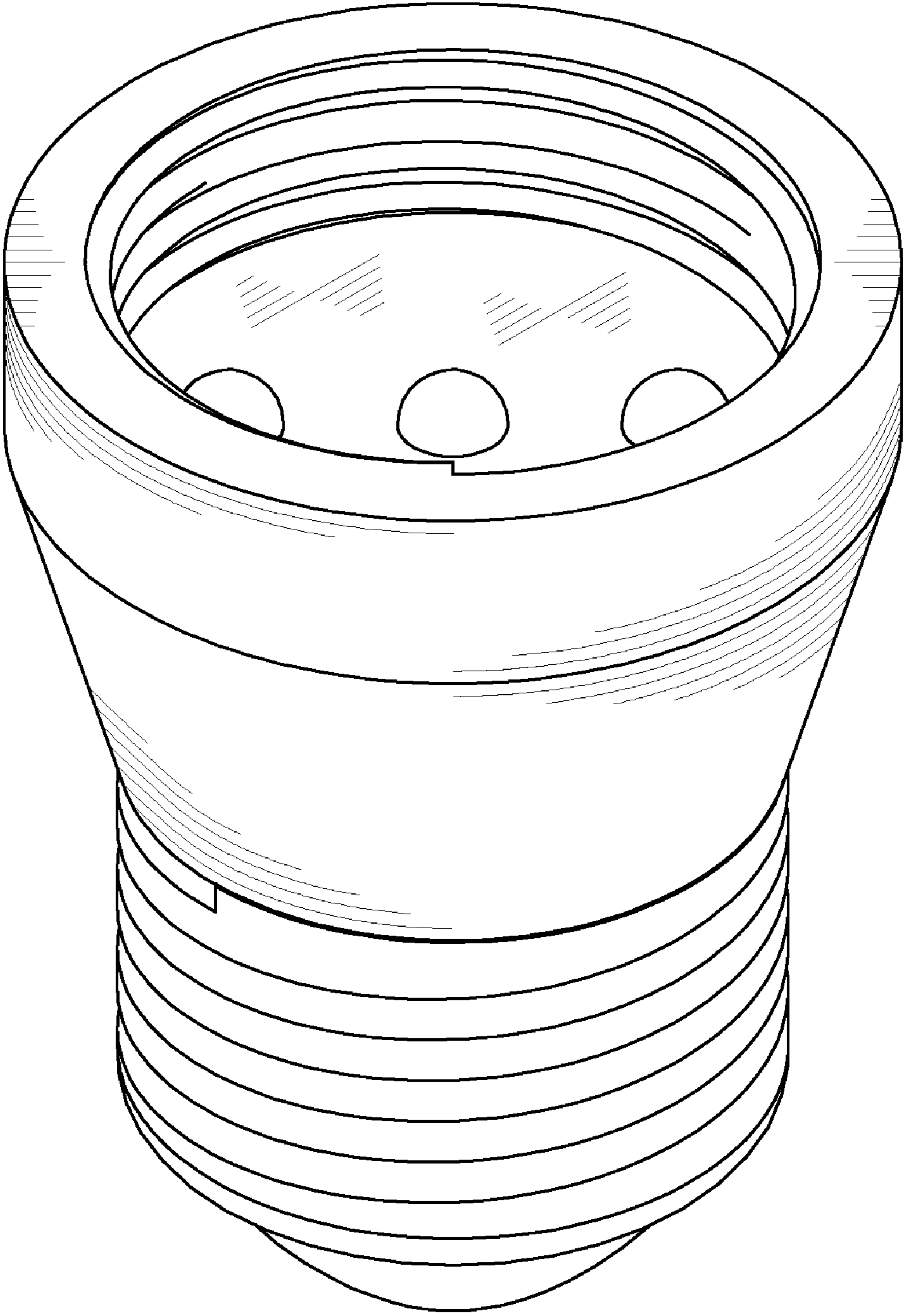


FIG. 1

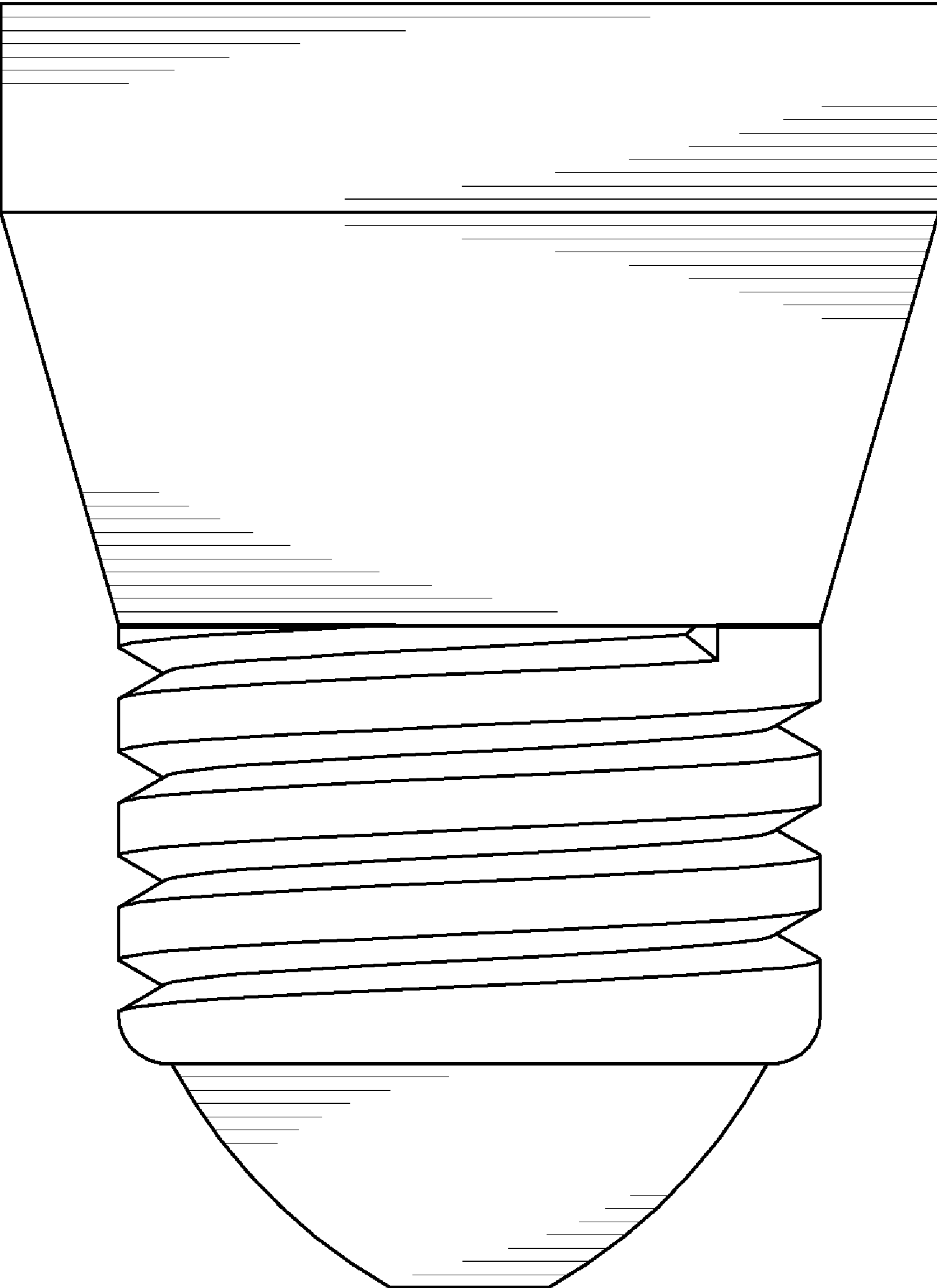


FIG. 2

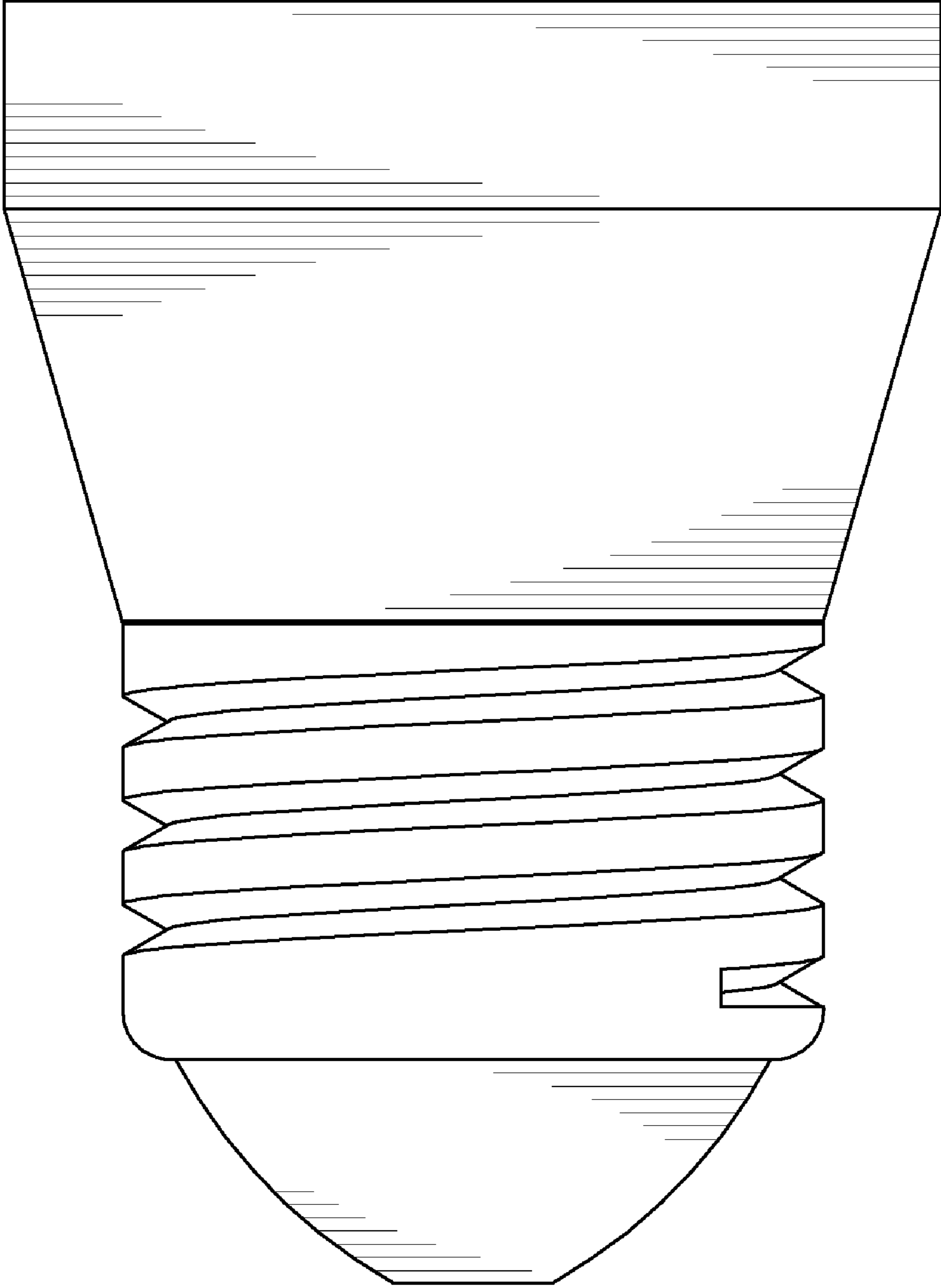


FIG. 3

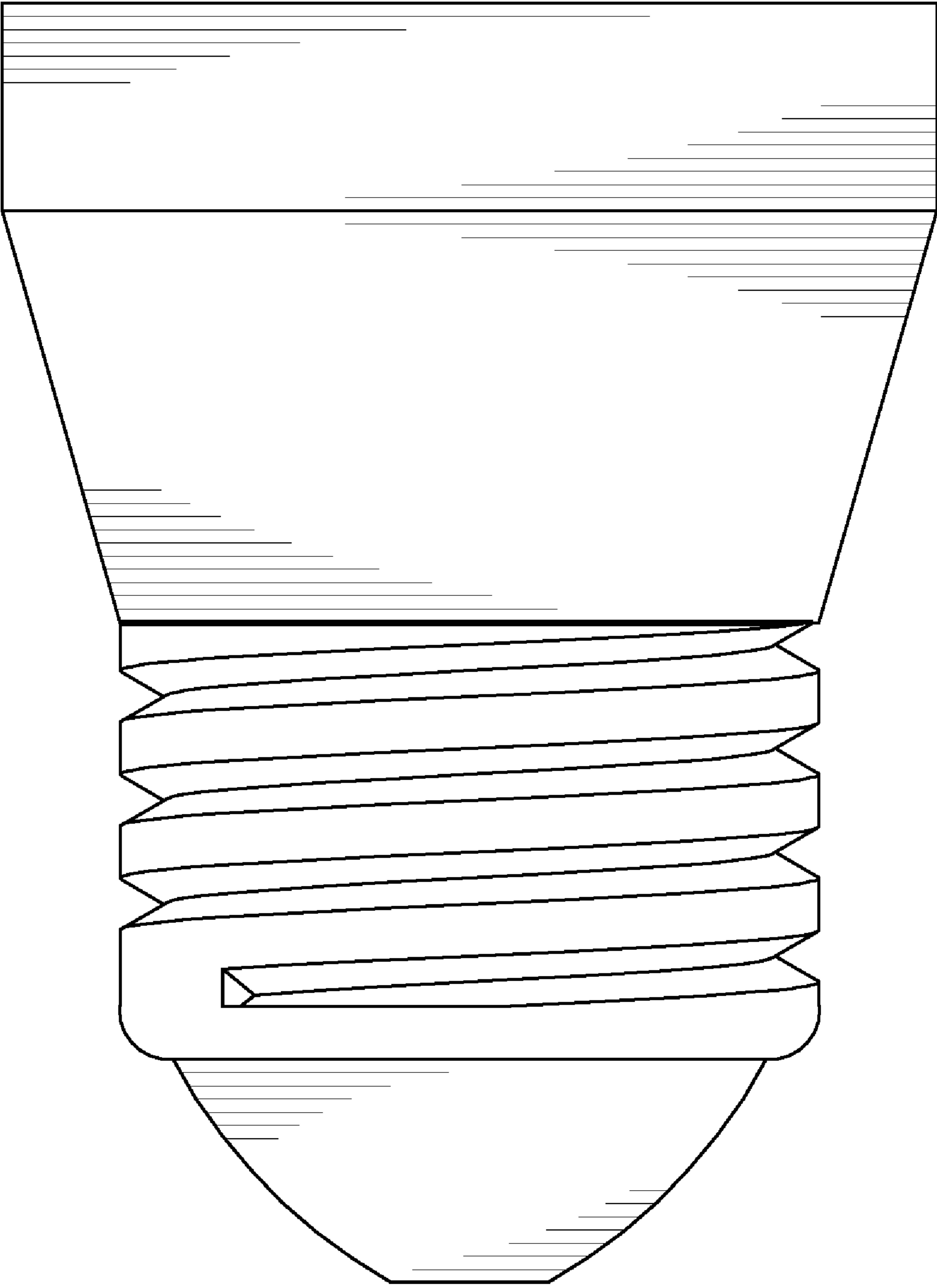


FIG. 4

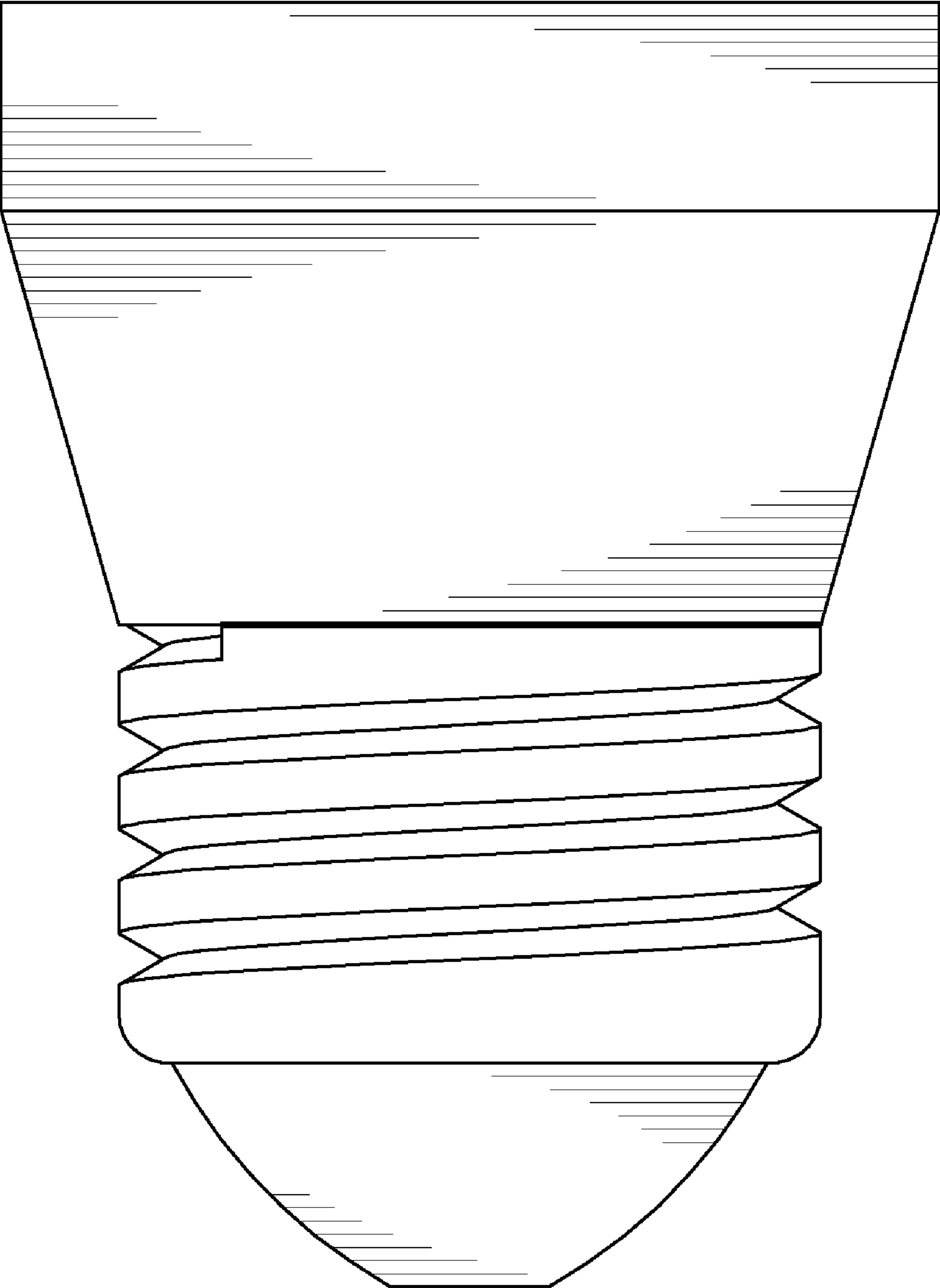


FIG. 5

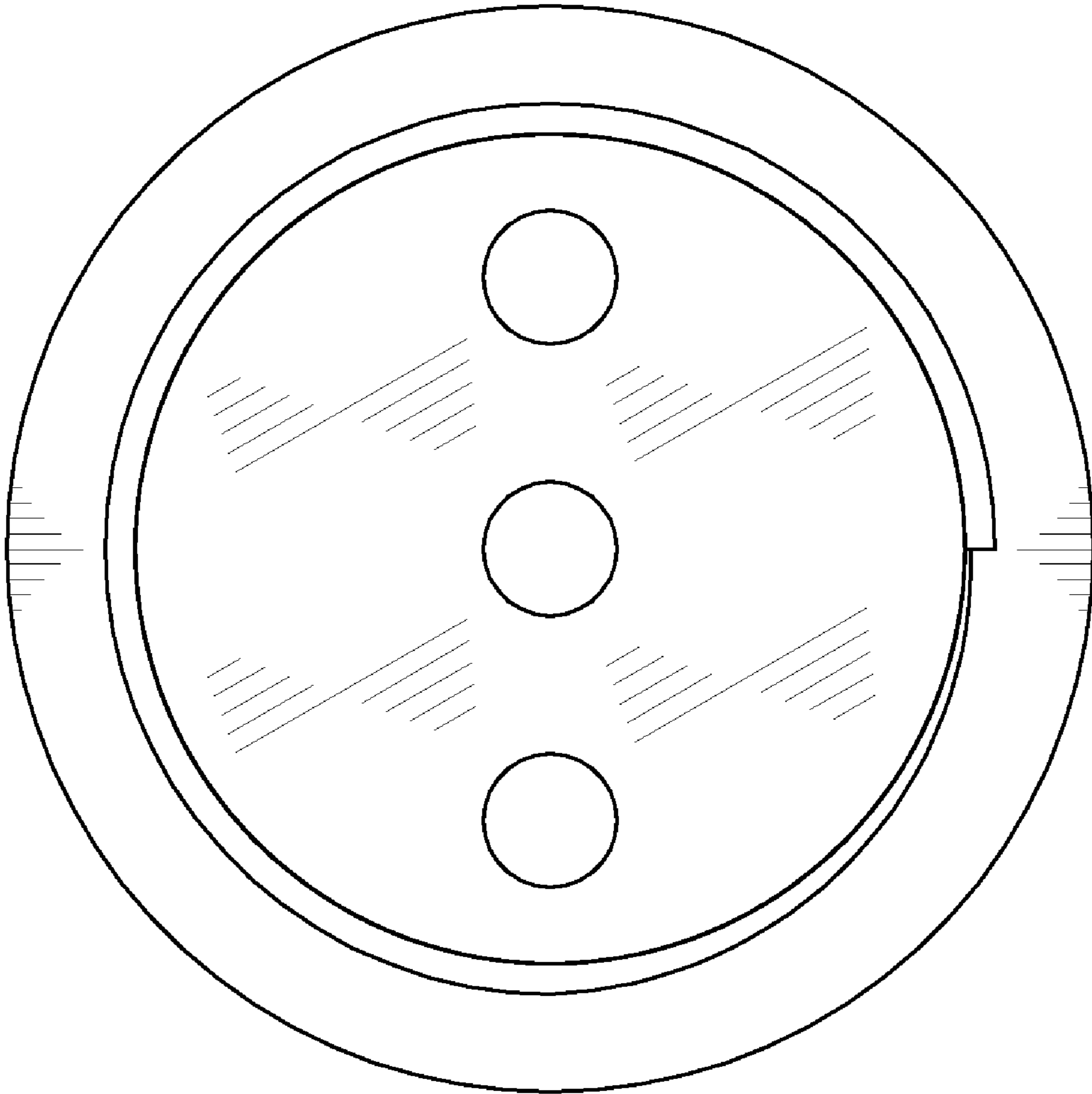


FIG. 6

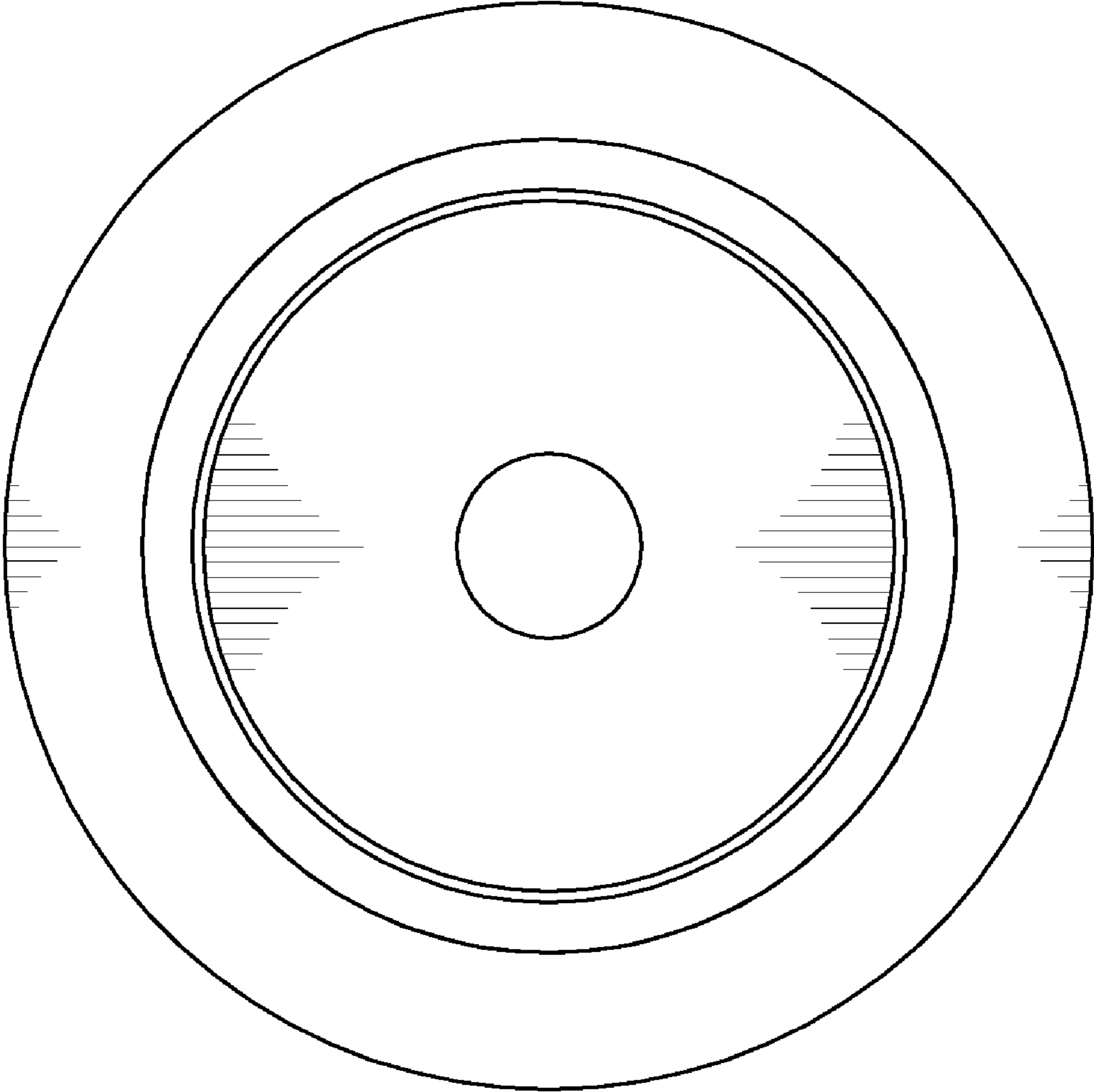


FIG. 7