



US00D625437S

(12) **United States Design Patent**
Zhang et al.

(10) **Patent No.:** **US D625,437 S**
(45) **Date of Patent:** **** Oct. 12, 2010**

(54) **SOLID STATE LIGHTING SPOT**

(75) Inventors: **Li Zhang**, Shanghai (CN); **Mark Craig Weedon**, Hong Kong (HK)

(73) Assignee: **Koninklijke Philips Electronics N.V.**, Eindhoven (NL)

(**) Term: **14 Years**

(21) Appl. No.: **29/338,708**

(22) Filed: **Jun. 17, 2009**

(30) **Foreign Application Priority Data**

Dec. 18, 2008 (EM) 001059042

(51) **LOC (9) Cl.** **26-04**

(52) **U.S. Cl.** **D26/2**

(58) **Field of Classification Search** D26/1-4;
313/313, 315, 316, 317, 318, 493; 315/52,
315/53, 56, 57, 58

See application file for complete search history.

(56) **References Cited**

U.S. PATENT DOCUMENTS

D302,863 S * 8/1989 Krol D26/26

D551,784 S * 9/2007 Krieglmeier et al. D26/2

D572,385 S * 7/2008 Mazzochette et al. D26/2

D581,554 S * 11/2008 To et al. D26/2

D601,275 S * 9/2009 Ho et al. D26/2

* cited by examiner

Primary Examiner—Marcus A Jackson

(57) **CLAIM**

The ornamental design for a solid state lighting spot, as shown.

DESCRIPTION

FIG. 1 is a perspective view showing my design;

FIG. 2 is a front elevational view thereof;

FIG. 3 is a rear elevational view thereof;

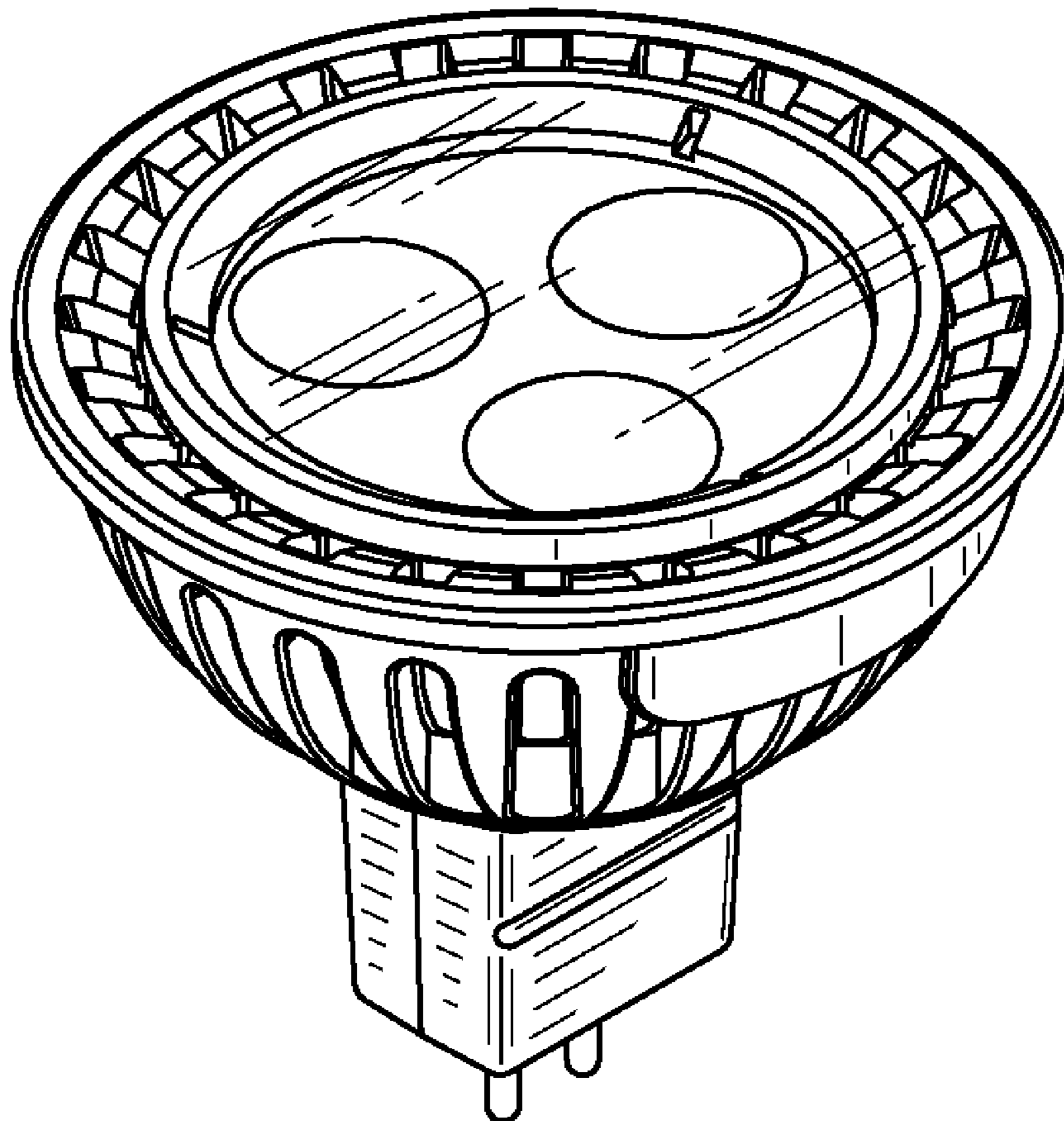
FIG. 4 is a right side elevational view thereof;

FIG. 5 is a left side elevational view thereof;

FIG. 6 is a top plan view thereof; and,

FIG. 7 is a bottom plan view thereof.

1 Claim, 2 Drawing Sheets



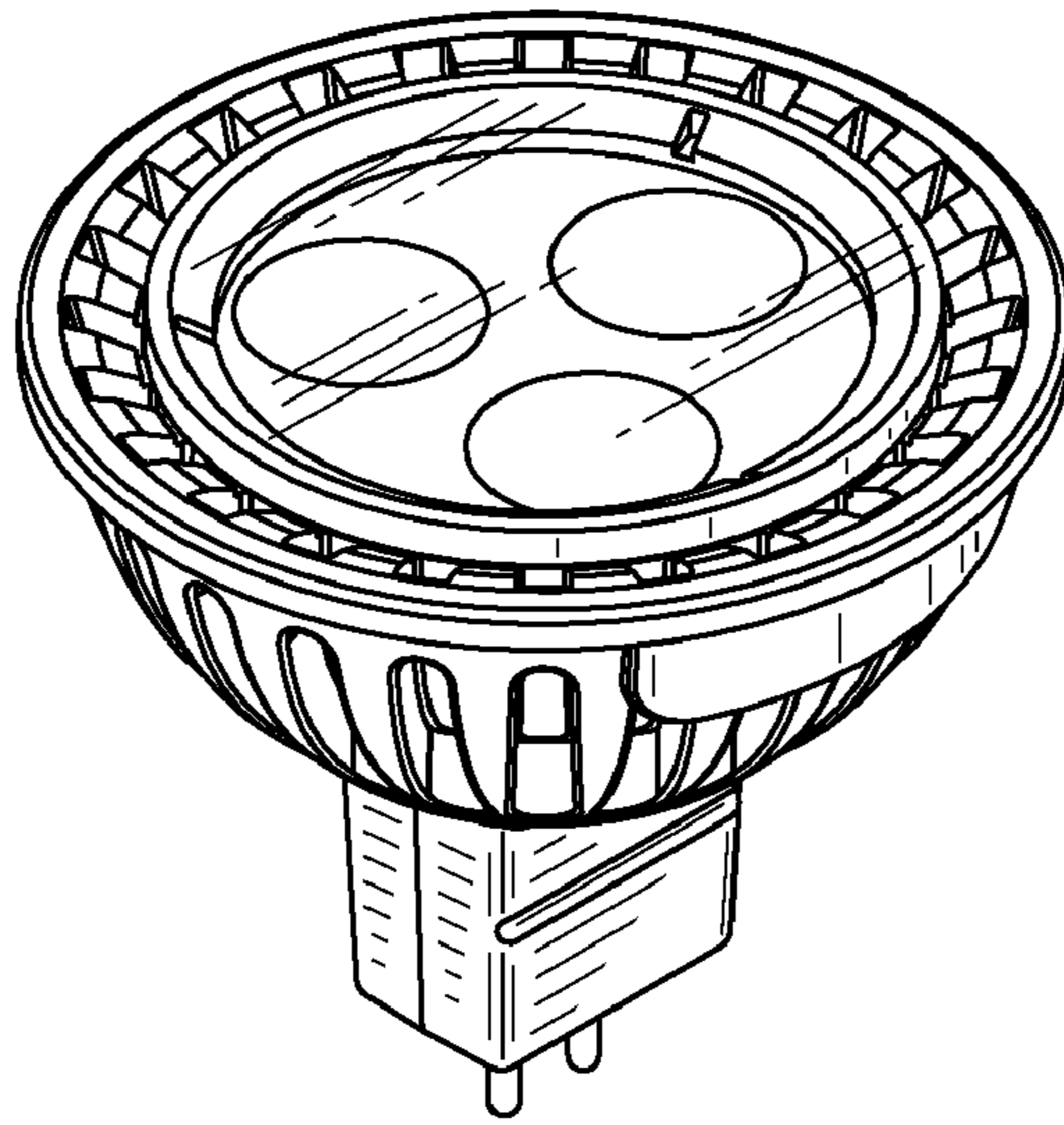


FIG. 1

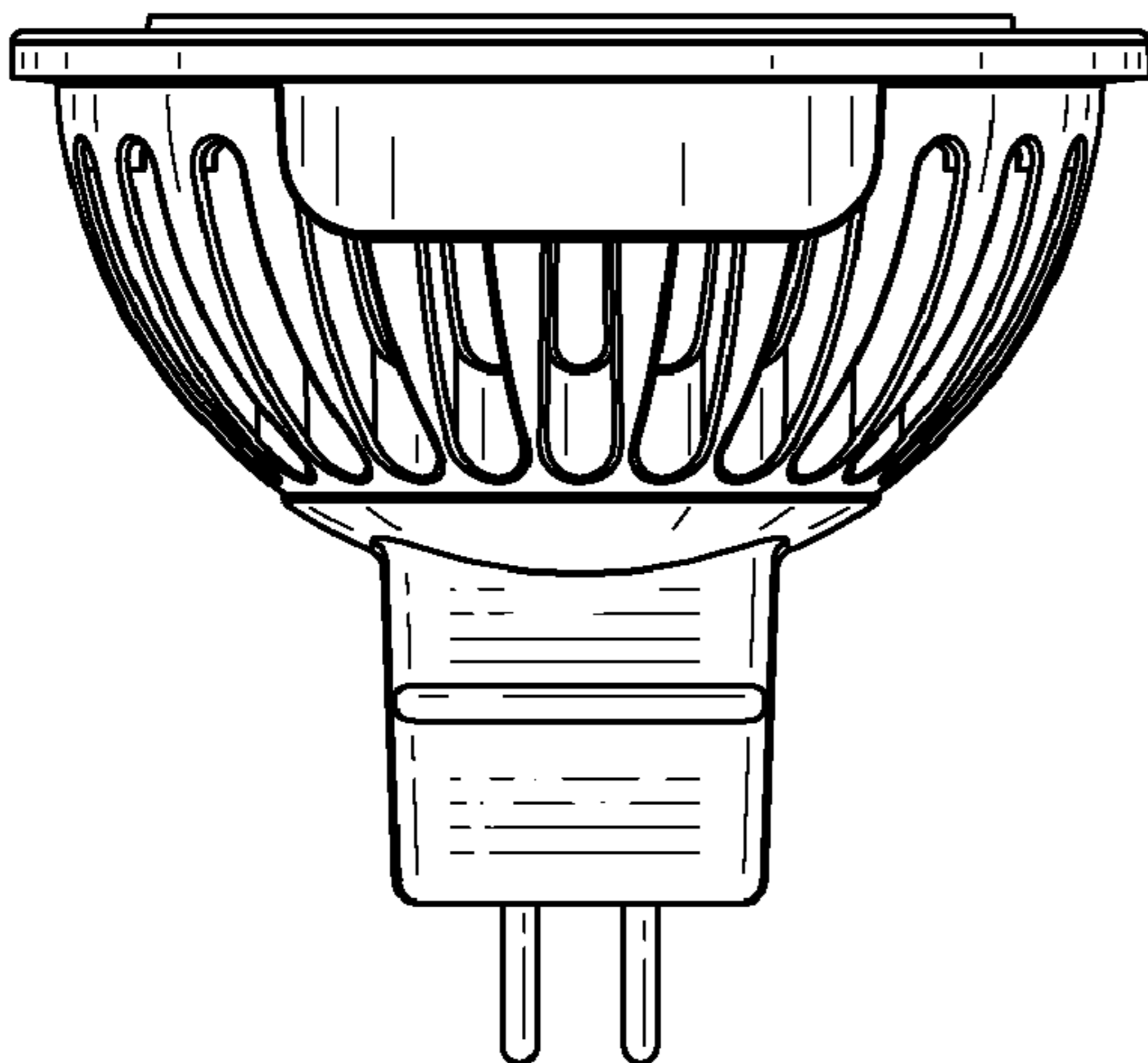


FIG. 2

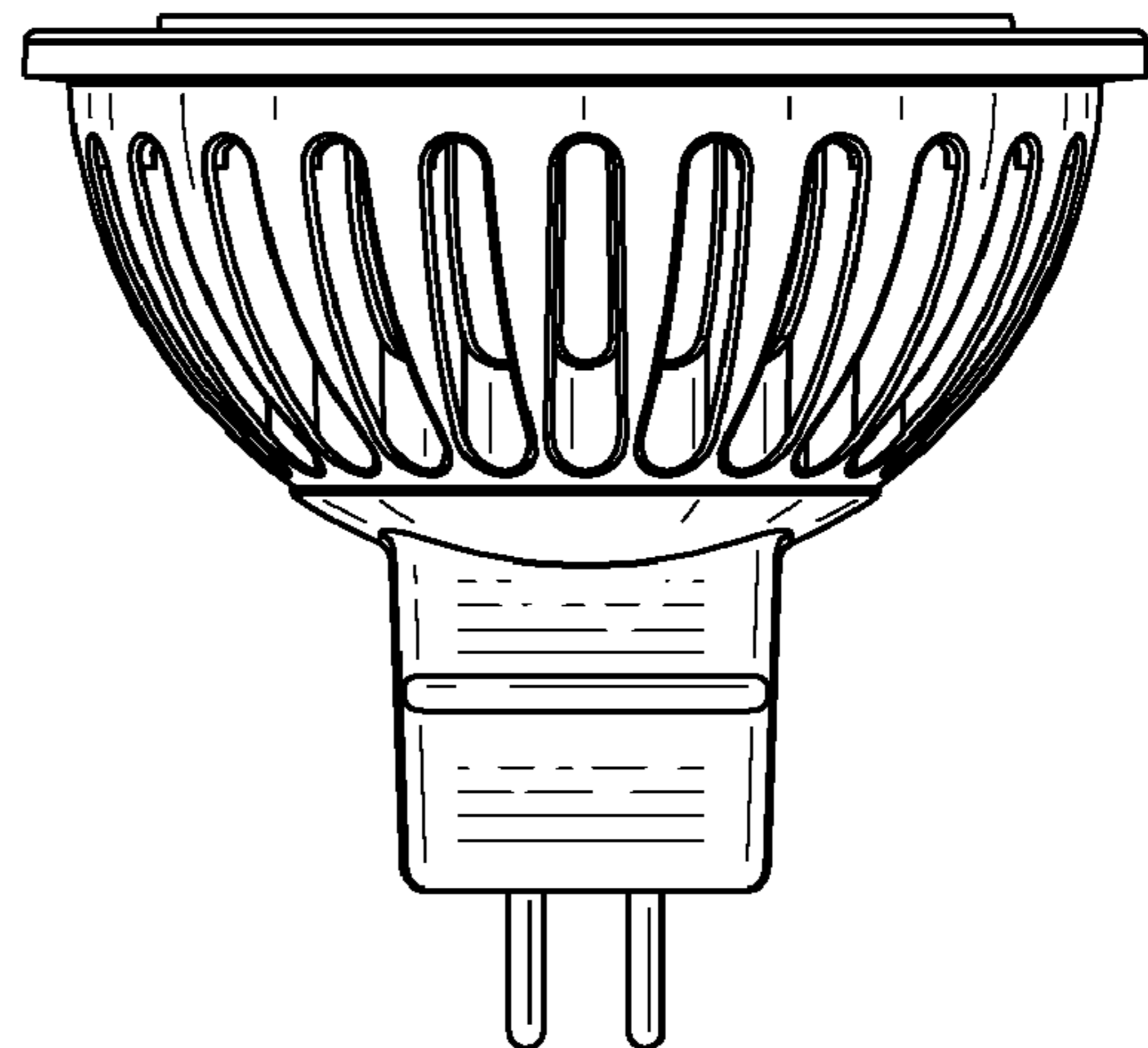


FIG. 3

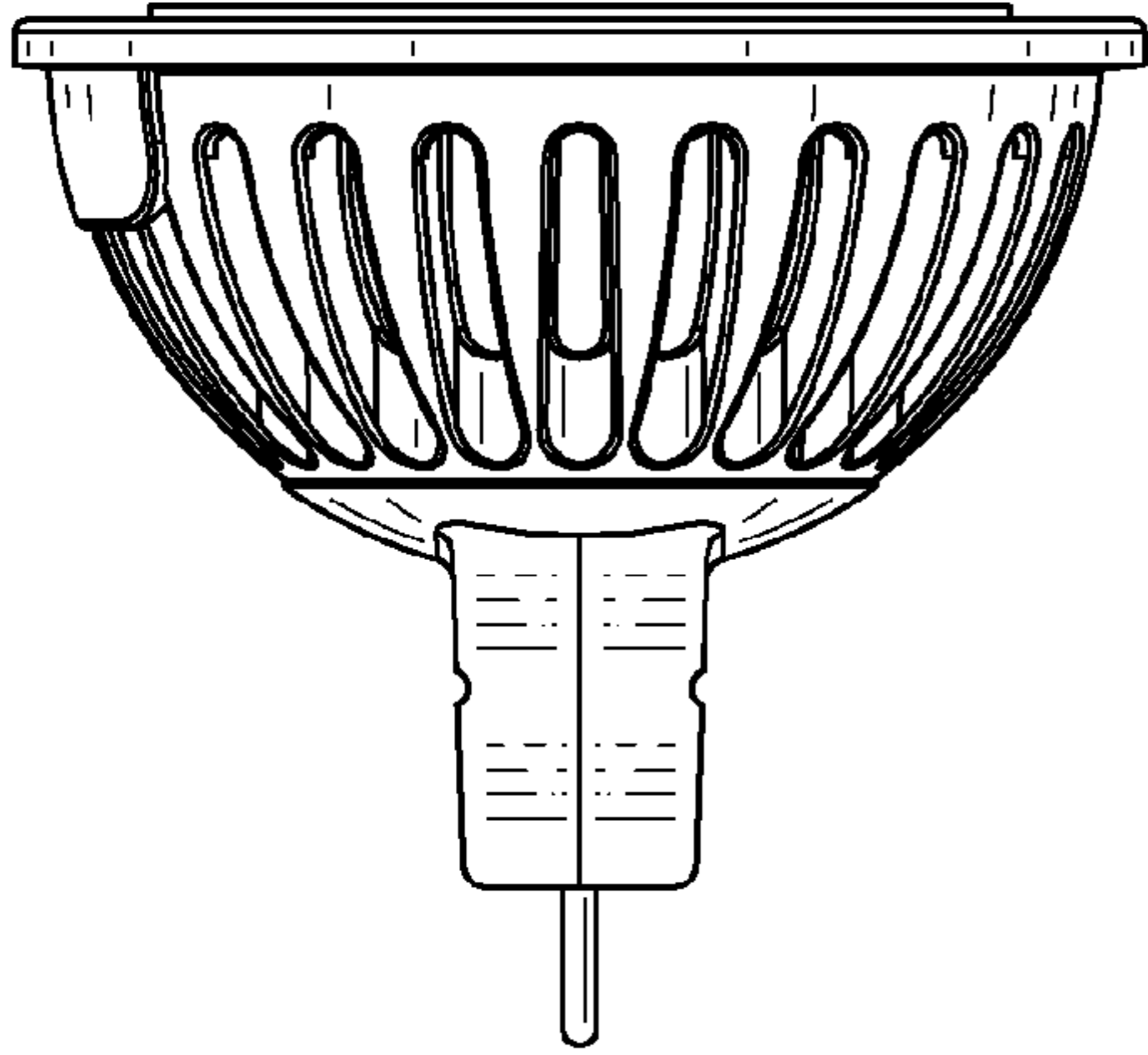


FIG. 4

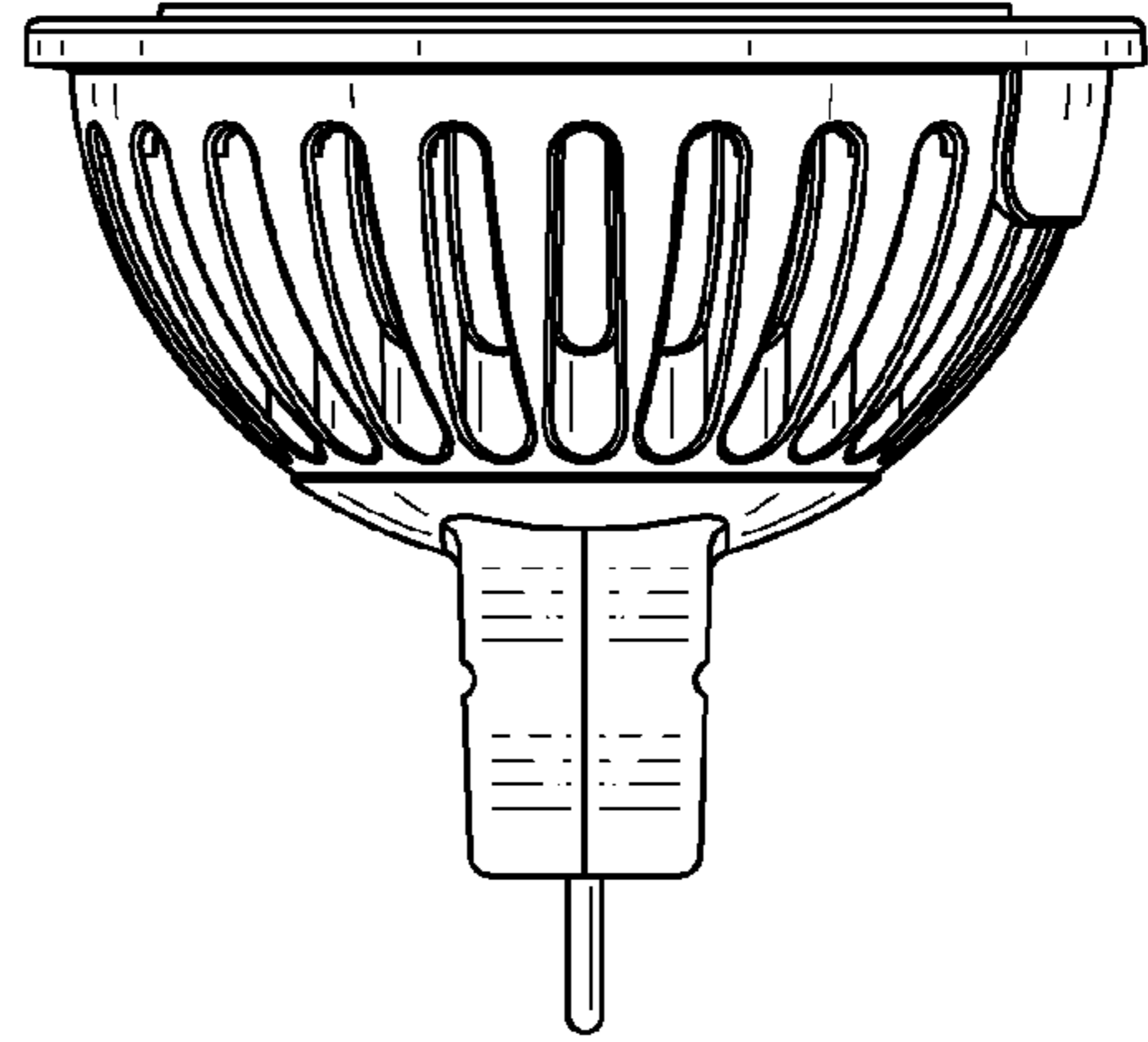


FIG. 5

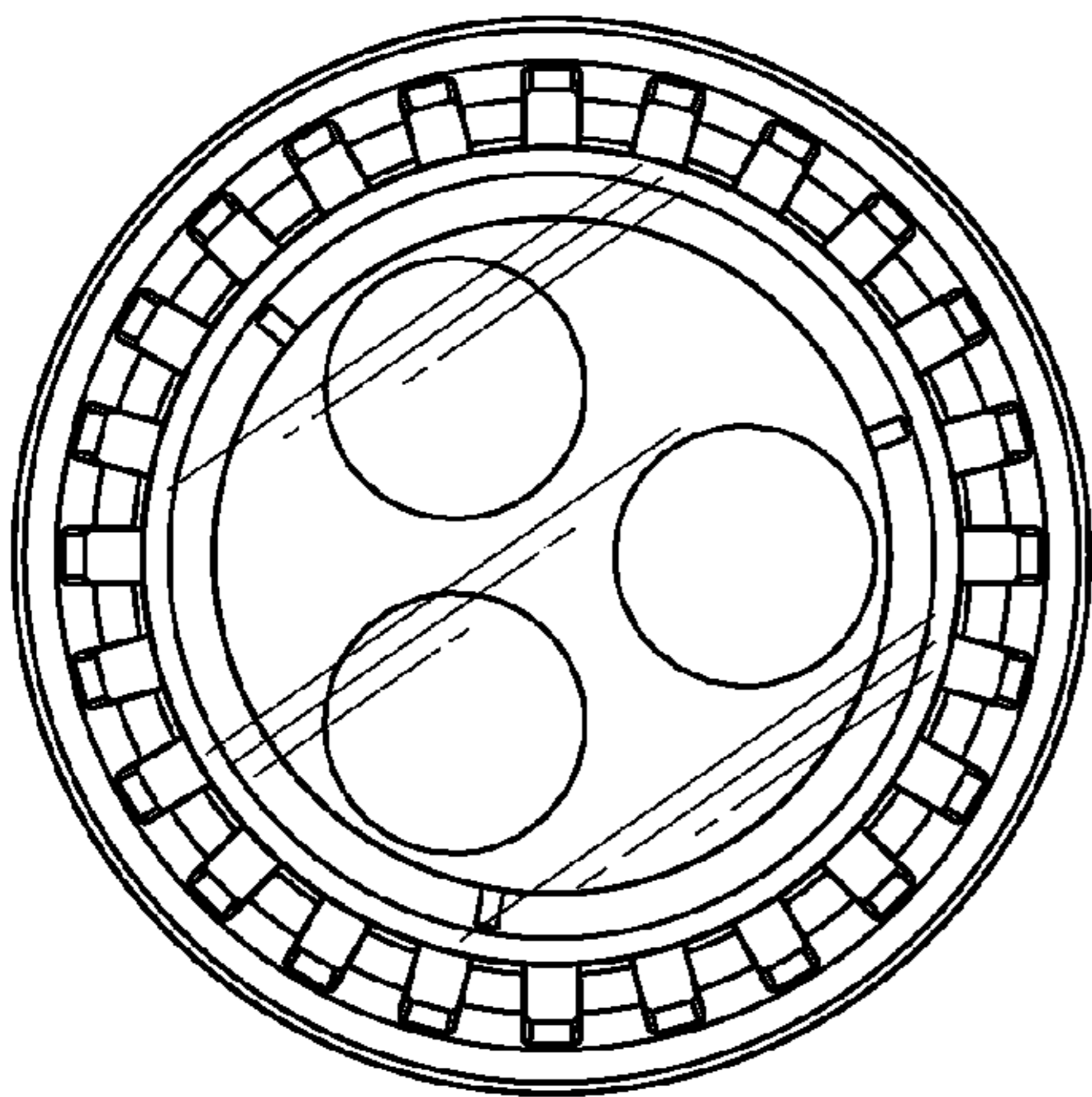


FIG. 6

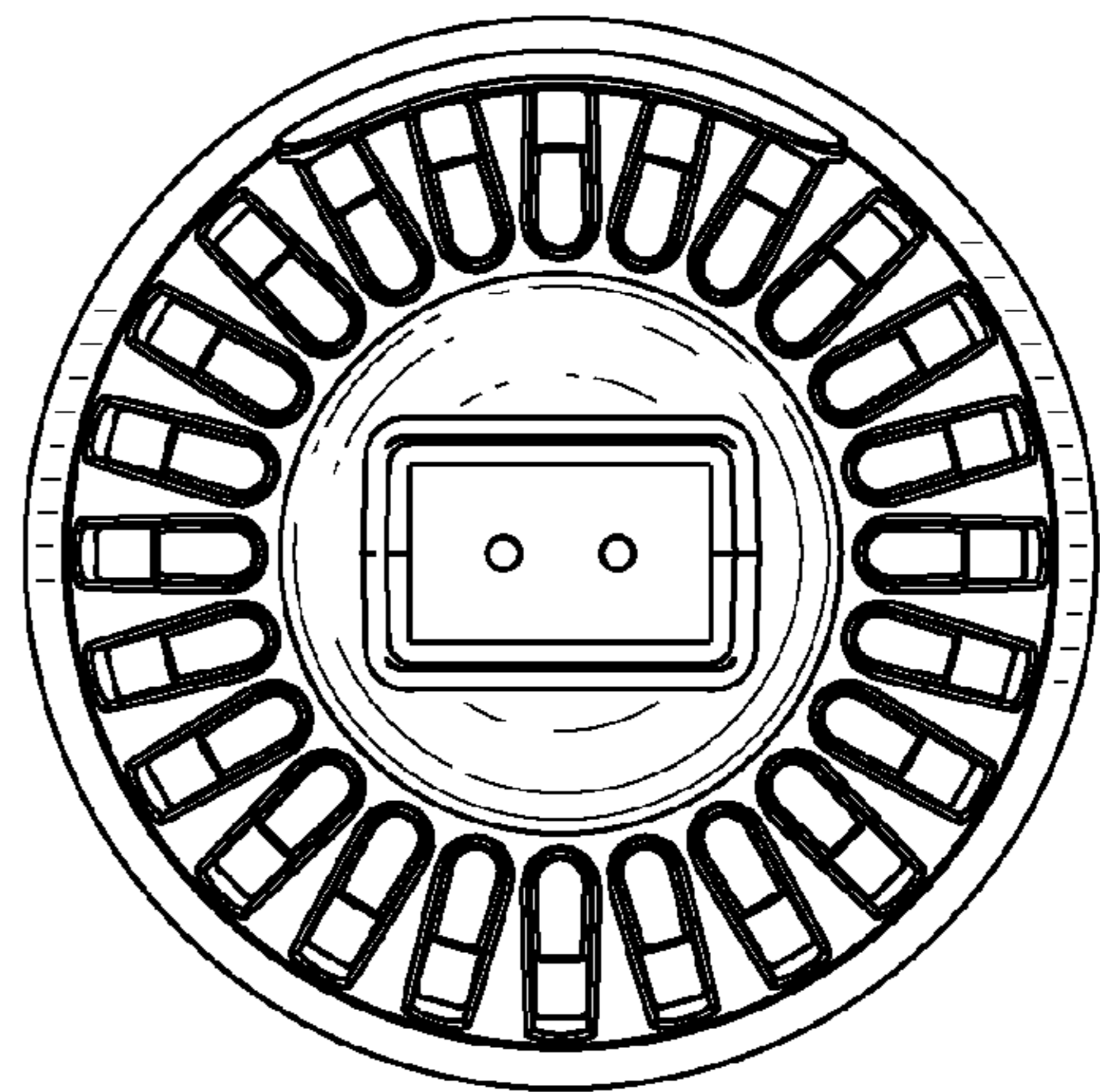


FIG. 7