



US00D625436S

(12) **United States Design Patent**
Corey et al.

(10) **Patent No.:** **US D625,436 S**
(45) **Date of Patent:** **** Oct. 12, 2010**

(54) **SEAL STRIP FOR WINDOW SHADES**

D571,488 S * 6/2008 Mann D25/164

(75) Inventors: **John A. Corey**, Melrose, NY (US);
Richard D. Watkins, Lake Luzerne, NY (US)

* cited by examiner

Primary Examiner—Doris Clark
(74) *Attorney, Agent, or Firm*—Rader, Fishman & Grauer PLLC

(73) Assignee: **Comfortex Corporation**, Watervliet, NY (US)

(57) **CLAIM**

(**) Term: **14 Years**

The ornamental design of a seal strip for window shades, as shown and described.

(21) Appl. No.: **29/337,516**

(22) Filed: **May 22, 2009**

DESCRIPTION

(51) **LOC (9) Cl.** **25-01**

FIG. 1 is a perspective view of a seal strip for window shades.

(52) **U.S. Cl.** **D25/164**

FIG. 2 is a left side thereof.

(58) **Field of Classification Search** D25/55,
D25/49, 164; 160/23.1, 241; 49/303, 304,
49/472, 473, 475.1

FIG. 3 is a right side thereof.

FIG. 4 is a top plan view thereof.

See application file for complete search history.

FIG. 5 is a bottom plan view thereof.

FIG. 6 is a front elevation view thereof; and,

FIG. 7 is a rear elevation view thereof.

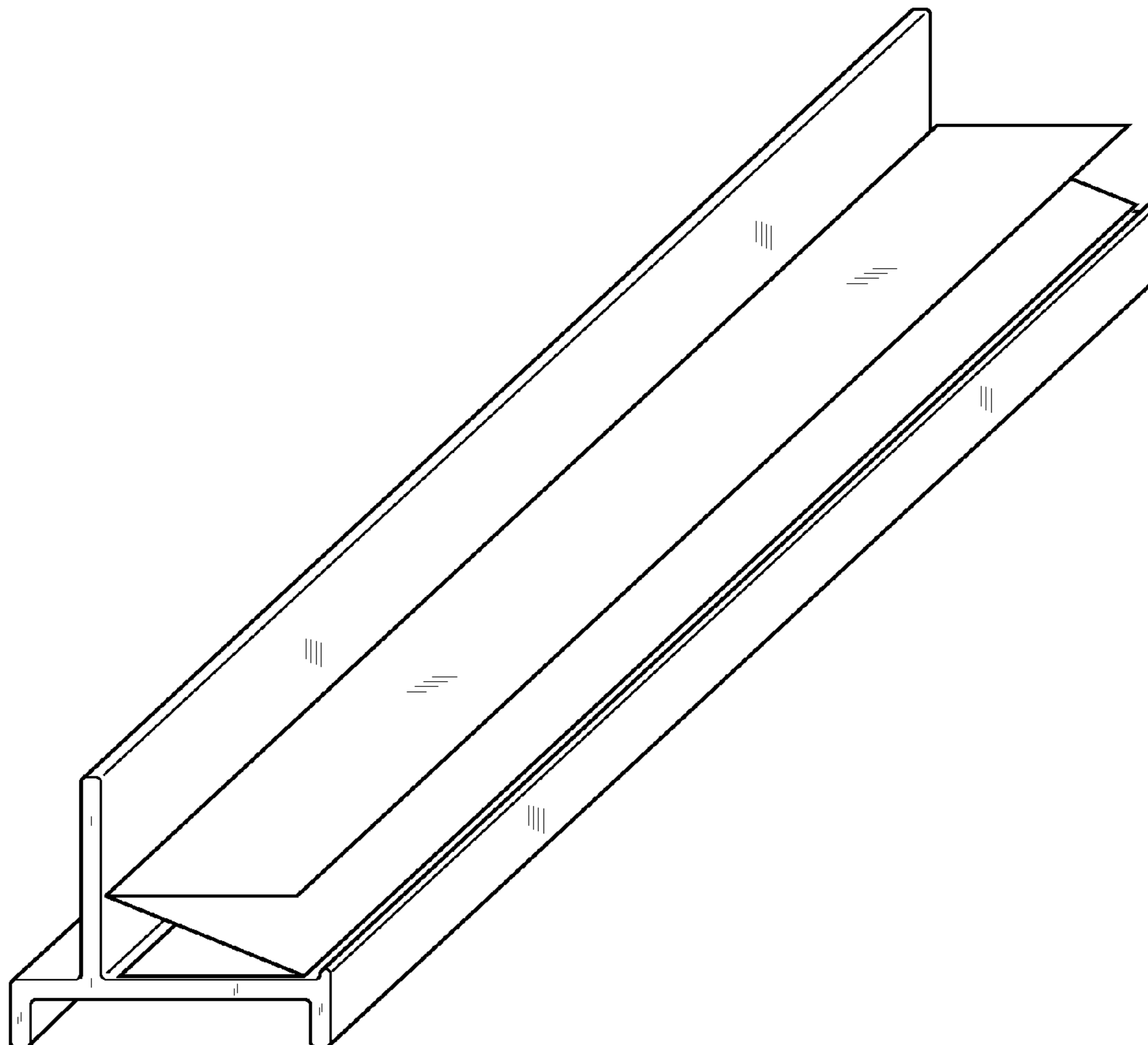
(56) **References Cited**

The broken lines are for illustrative purposes only and form no part of the claimed design.

U.S. PATENT DOCUMENTS

- 4,610,292 A * 9/1986 Hausmann et al. 160/120
- 4,766,941 A * 8/1988 Sloop et al. 160/241
- 6,942,001 B1 * 9/2005 Crider et al. 160/241

1 Claim, 4 Drawing Sheets



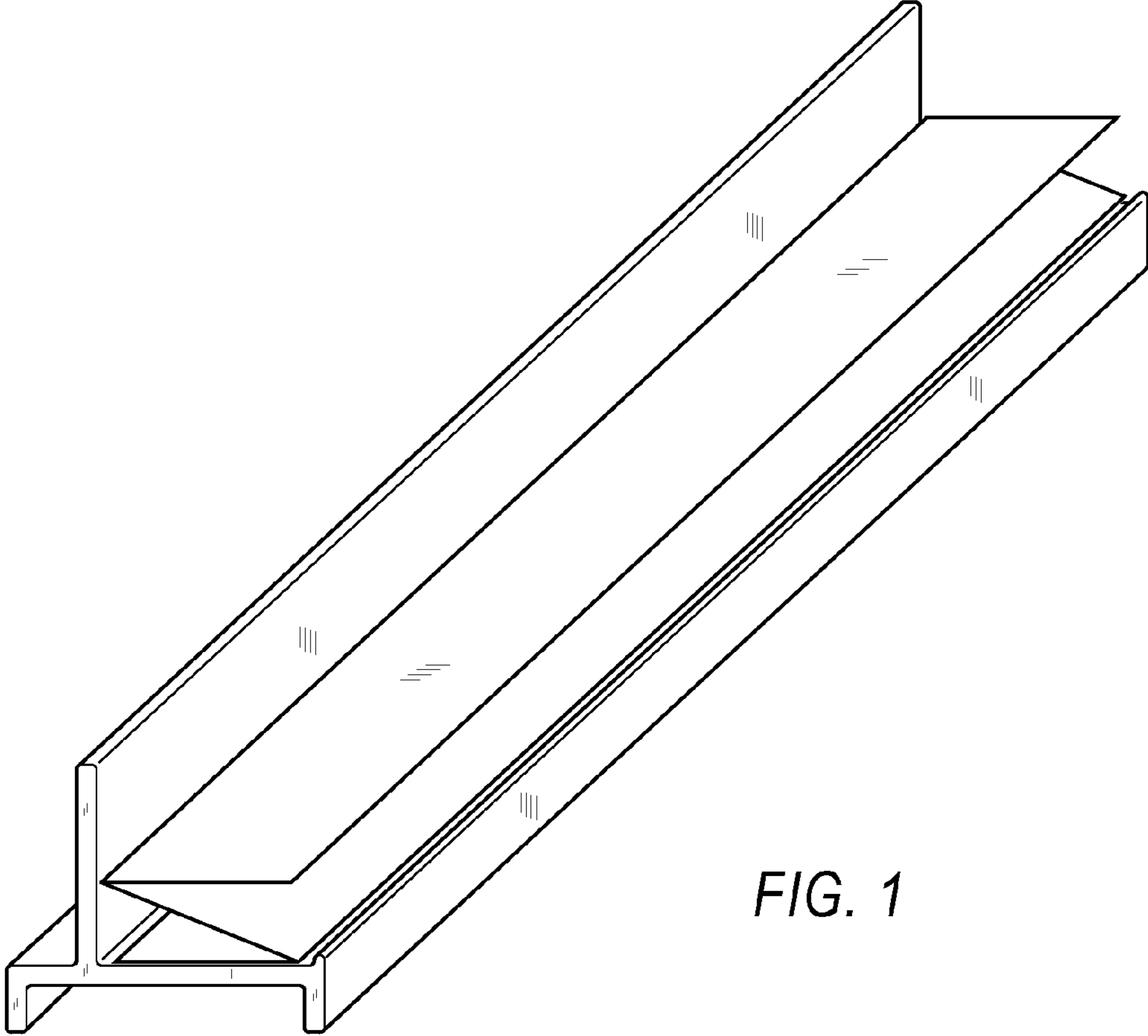


FIG. 1

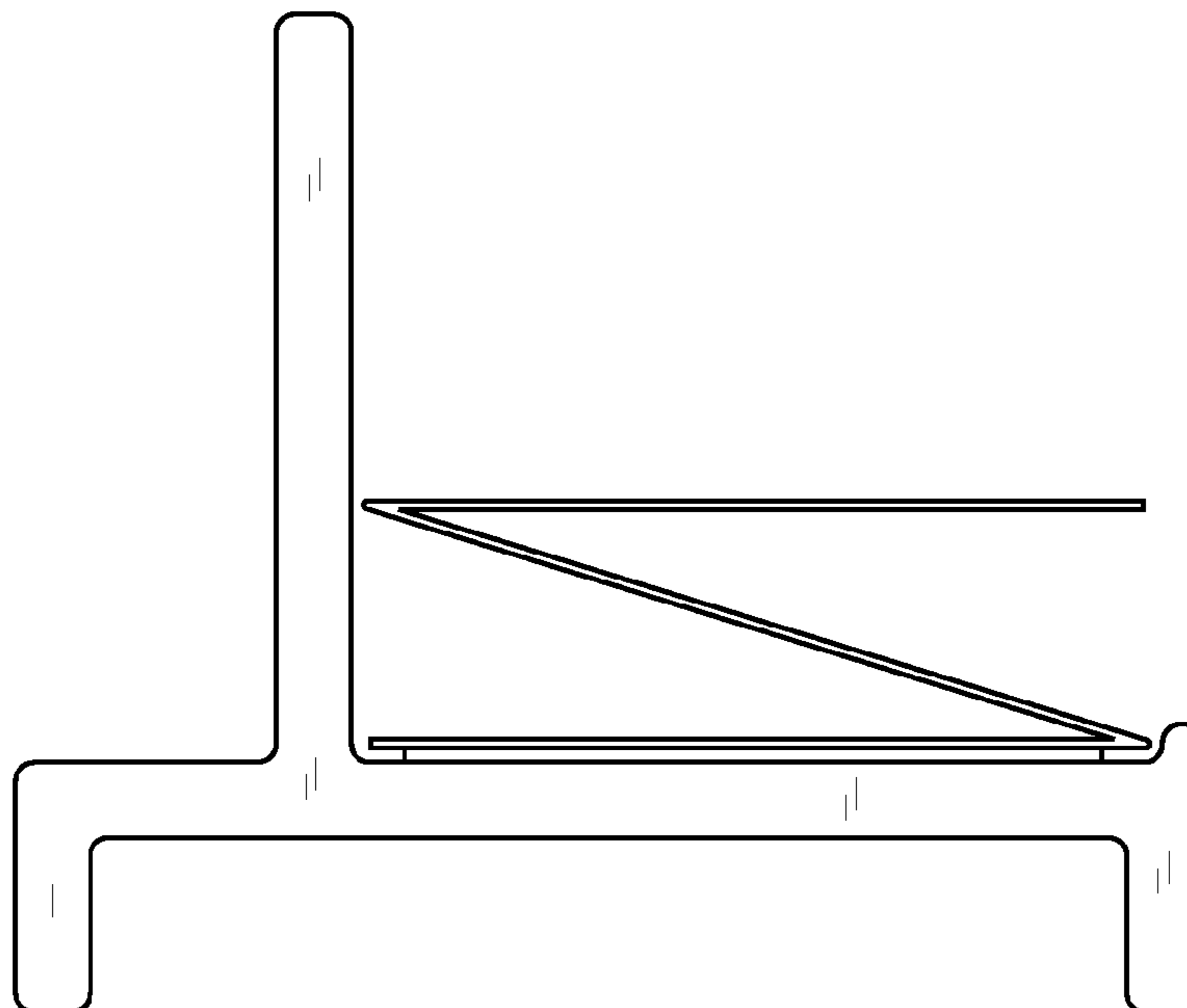


FIG. 2

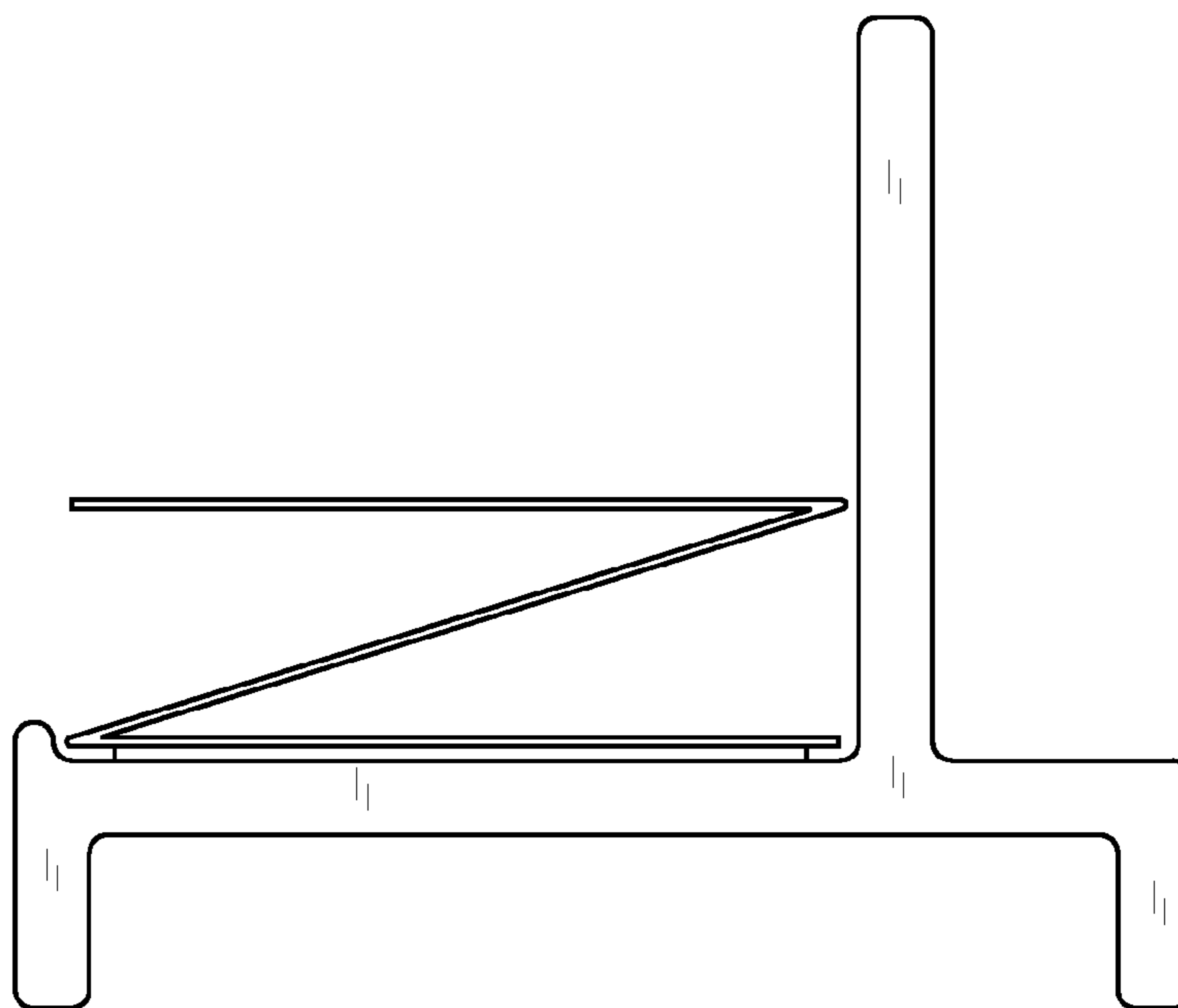


FIG. 3

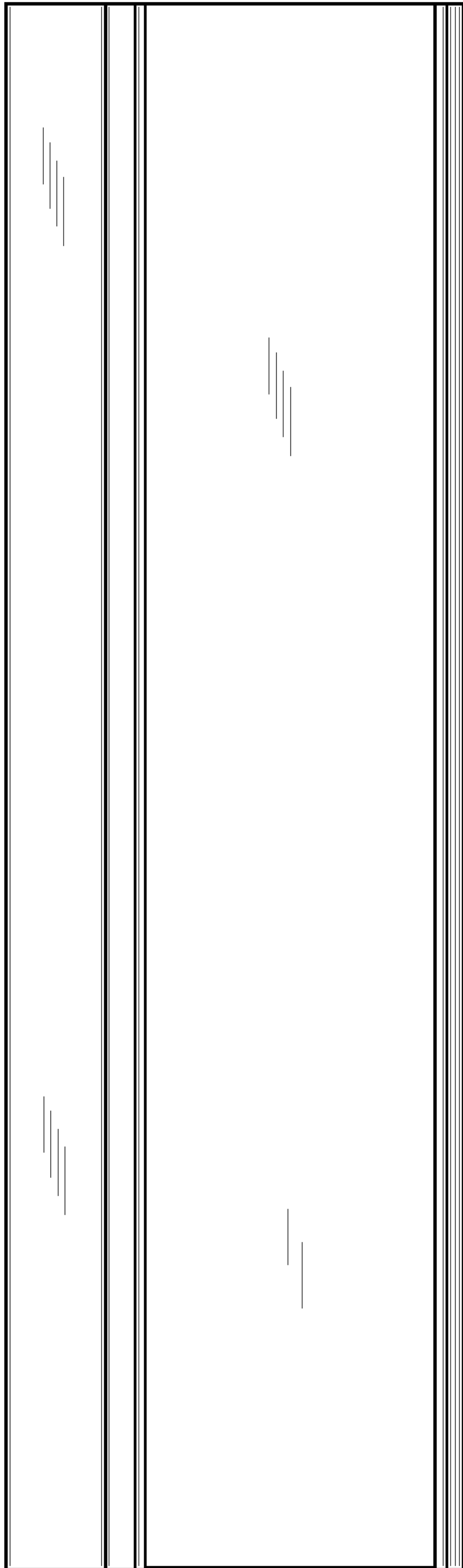


FIG. 4

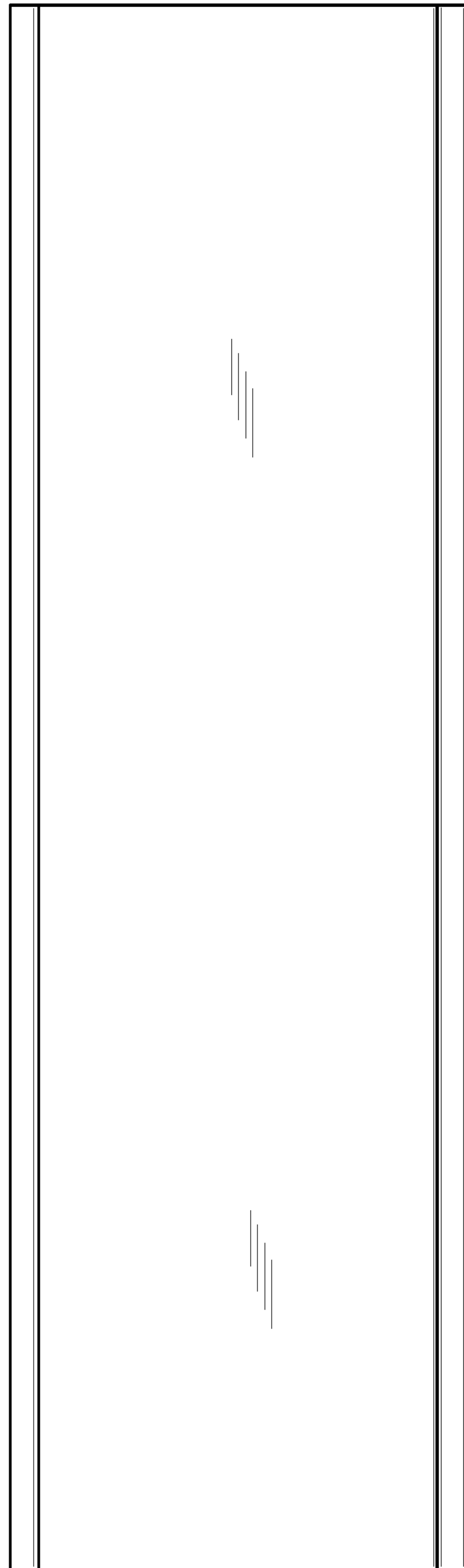


FIG. 5

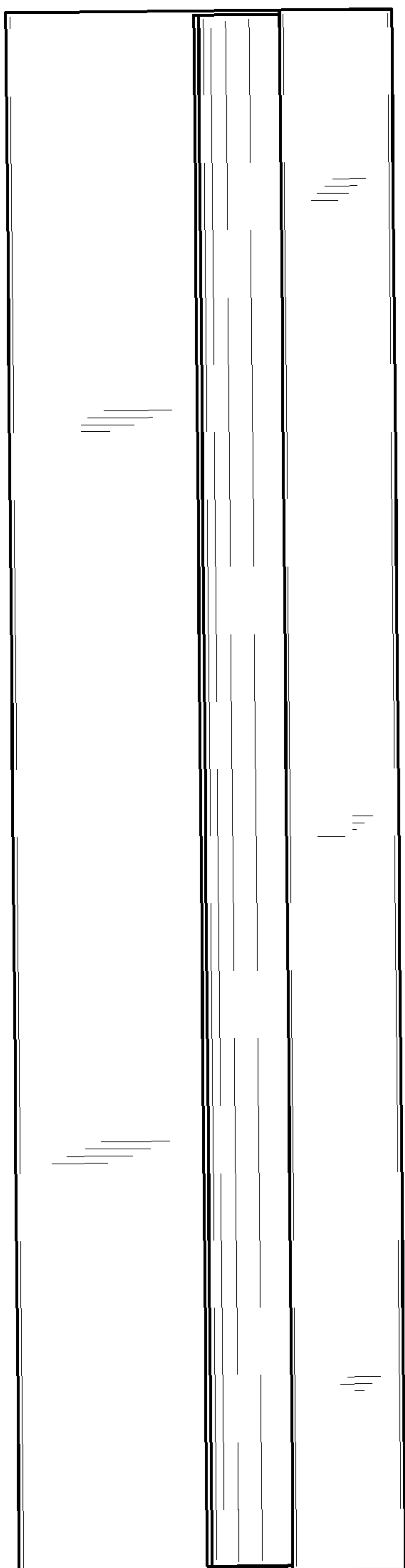


FIG. 6

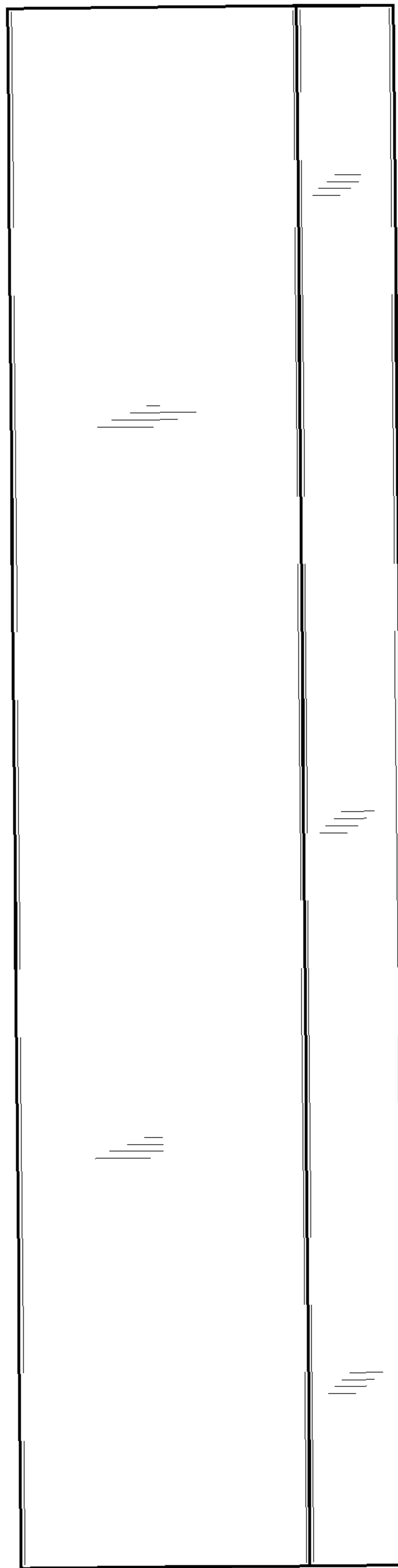


FIG. 7