



US00D625433S

(12) **United States Design Patent**
Preston

(10) **Patent No.:** **US D625,433 S**

(45) **Date of Patent:** **** Oct. 12, 2010**

(54) **FENCE PANEL SUPPORT FOOT**

(76) Inventor: **John Clement Preston**, 196 Silverwater Road, Silverwater, NSW (AU) 2128

(**) Term: **14 Years**

(21) Appl. No.: **29/348,345**

(22) Filed: **Dec. 22, 2009**

(30) **Foreign Application Priority Data**

Jul. 3, 2009 (AU) 12415/2009

(51) **LOC (9) Cl.** **25-01**

(52) **U.S. Cl.** **D25/133**

(58) **Field of Classification Search** D25/133;
256/65.14

See application file for complete search history.

(56) **References Cited**

U.S. PATENT DOCUMENTS

D458,389 S *	6/2002	Abbestam	D25/133
6,554,257 B1 *	4/2003	Kenton	256/24
D571,486 S *	6/2008	Miller et al.	D25/133
2006/0011901 A1 *	1/2006	Anson et al.	256/65.14
2006/0186391 A1 *	8/2006	Hansen	256/24

* cited by examiner

Primary Examiner—Doris Clark

(74) *Attorney, Agent, or Firm*—Chambliss, Bahner & Stophel, P.C.

(57) **CLAIM**

The ornamental design for a fence panel support foot, as shown and described.

DESCRIPTION

FIG. 1 is a top perspective view of the fence panel support foot of my new design.

FIG. 2 is a bottom perspective view of the fence panel support foot of my new design.

FIG. 3 is a top view of the fence panel support foot of my new design.

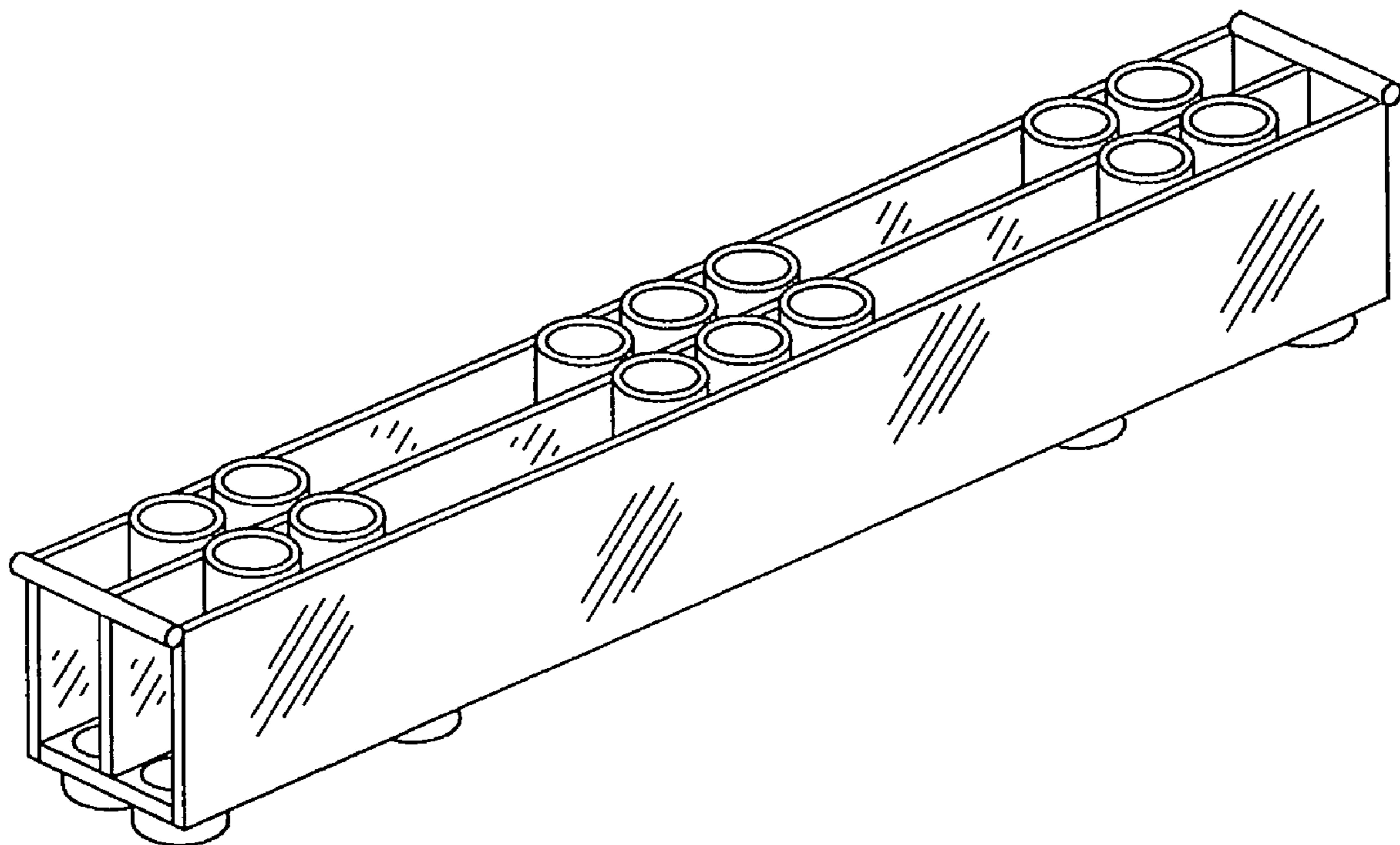
FIG. 4 is a side view of the fence panel support foot of my new design. The opposite side view is a mirror image of FIG. 4.

FIG. 5 is an end view of the fence panel support foot of my new design. The opposite end view is a mirror image of FIG. 5; and,

FIG. 6 is a bottom view of the fence panel support foot of my new design.

The design is of a support foot for a fence panel such as, for example, a fence panel forming part of a temporary fence that is located around the periphery of a building during construction.

1 Claim, 3 Drawing Sheets



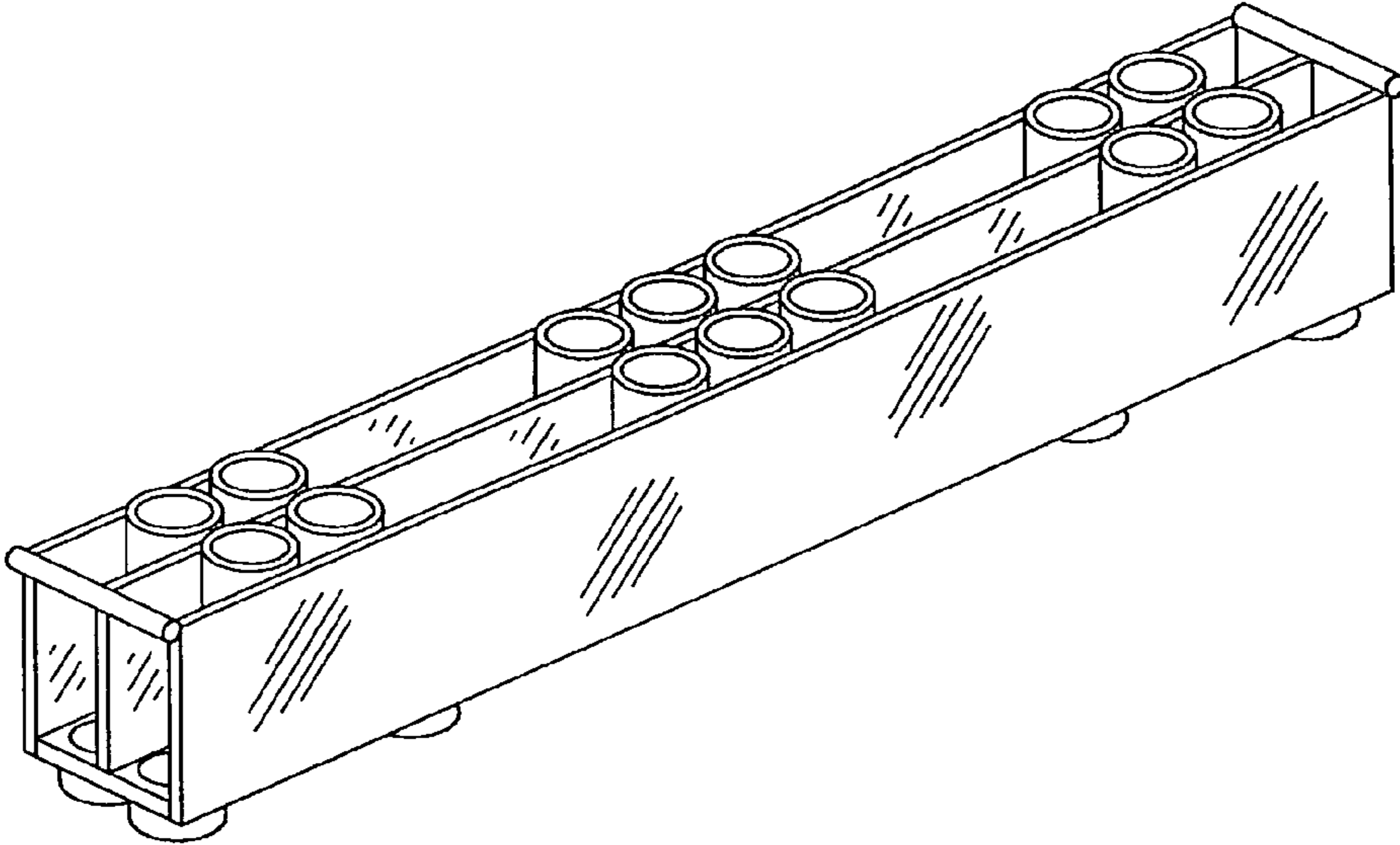


FIGURE 1

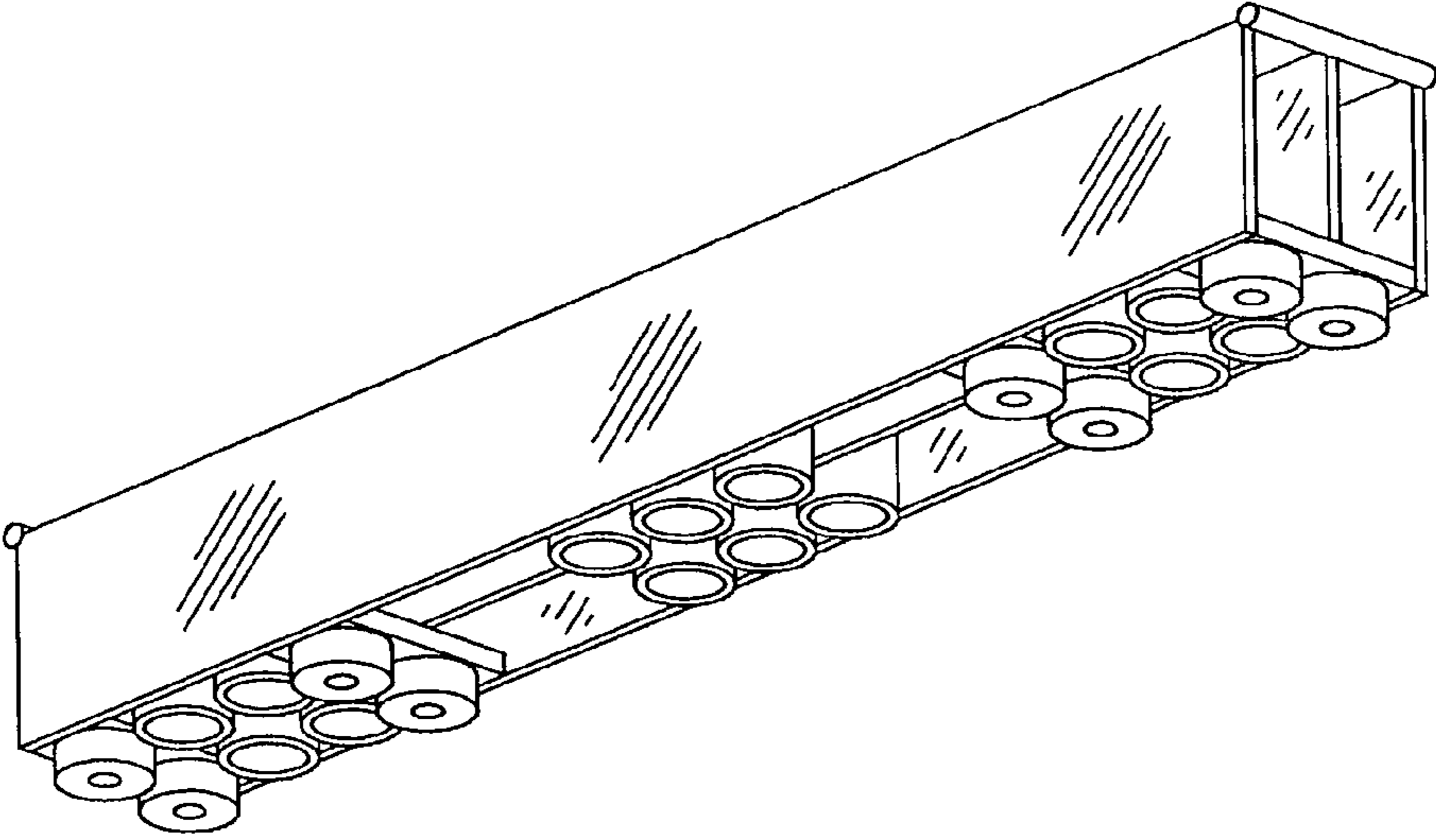


FIGURE 2

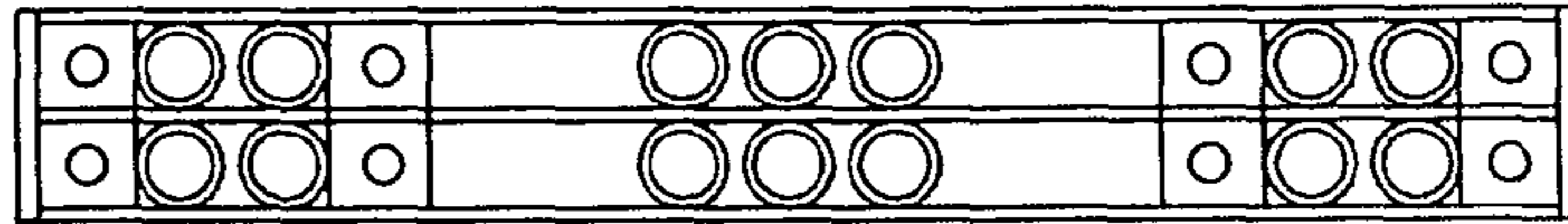


FIGURE 3

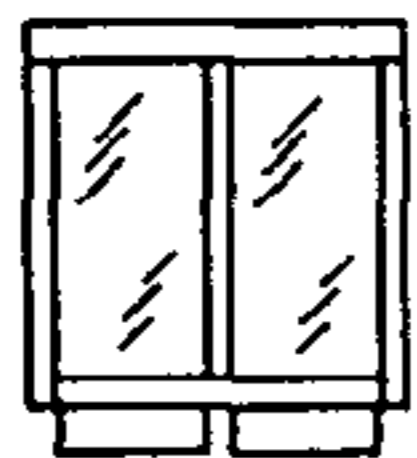


FIGURE 5

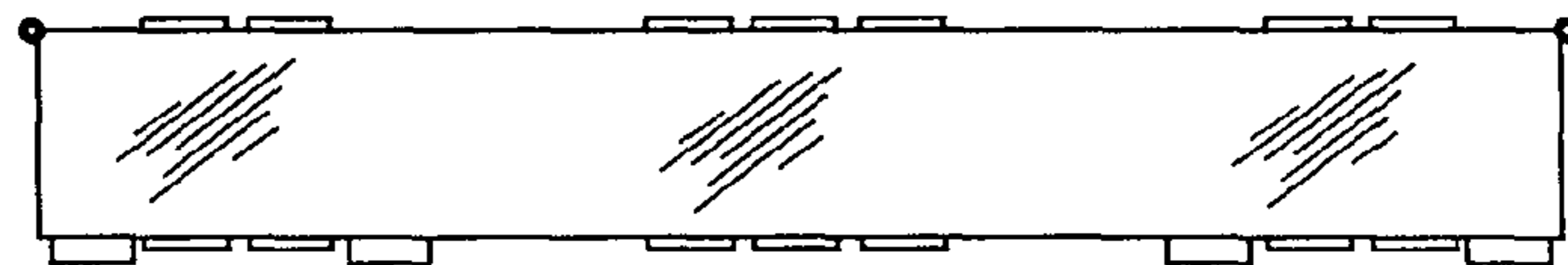


FIGURE 4

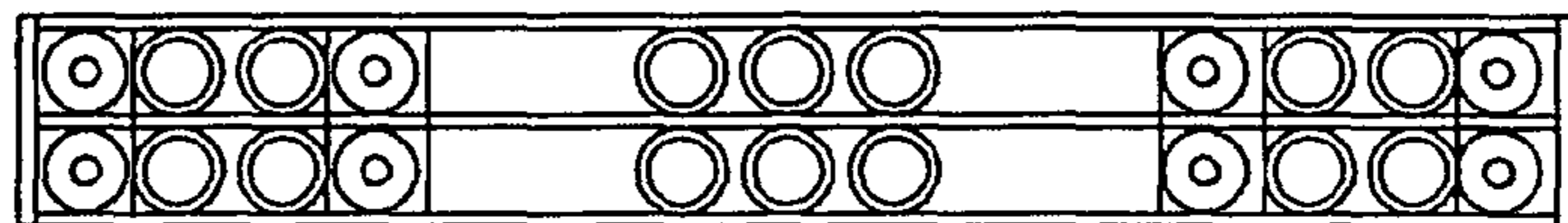


FIGURE 6