



US00D625425S

(12) **United States Design Patent**
Williams et al.

(10) **Patent No.:** **US D625,425 S**
(45) **Date of Patent:** **** Oct. 12, 2010**

(54) **BOTTLE HOLDER**

(76) Inventors: **Nicole Williams**, 1842 Redwood Grove Ter., Lake Mary, FL (US) 32746;
Meredith LaMirande, 8503 Wild Trace, San Antonio, TX (US) 78266

(**) Term: **14 Years**

(21) Appl. No.: **29/316,751**

(22) Filed: **Oct. 29, 2009**

(51) **LOC (9) Cl.** **07-01**

(52) **U.S. Cl.** **D24/199; D9/434**

(58) **Field of Classification Search** D24/193,
D24/199; D9/434; D7/396.2, 708; D3/229,
D3/300; 248/102-106; 224/148.5-148.7,
224/219, 620

See application file for complete search history.

(56) **References Cited**

U.S. PATENT DOCUMENTS

2,539,698	A *	1/1951	Pearson	248/104
2,772,801	A *	12/1956	Schwartz	215/11.6
2,924,413	A *	2/1960	Mahoney	224/148.5
3,065,944	A *	11/1962	Liebendorfer	248/102
3,977,638	A *	8/1976	Woodard	248/102
4,537,341	A *	8/1985	Kelly	224/620
4,601,161	A *	7/1986	Drellich	54/46.1
4,759,963	A *	7/1988	Uso et al.	428/100
4,982,885	A *	1/1991	Severson et al.	224/675
D337,133	S *	7/1993	Olsen et al.	D21/408
5,265,834	A *	11/1993	Daniels	248/104
D356,379	S *	3/1995	Ibinger	D24/199
D358,892	S *	5/1995	Kahn	D24/199

5,699,555	A *	12/1997	Schunter	2/1
5,806,730	A *	9/1998	Deno	224/148.6
D400,100	S *	10/1998	Minard	D9/434
D512,910	S *	12/2005	Haslam	D9/434
6,978,918	B2 *	12/2005	Scanlan et al.	224/148.6
D552,248	S *	10/2007	Brawley	D24/199
D597,788	S *	8/2009	Ellis	D7/396.2

* cited by examiner

Primary Examiner—Susan E Krakower

(74) *Attorney, Agent, or Firm*—William M. Hobby, III

(57) **CLAIM**

The ornamental design for a bottle holder, as shown and described.

DESCRIPTION

FIG. 1 is a top plan view of my new bottle holder;

FIG. 2 is a left side elevation, the right side being identical thereto;

FIG. 3 is a bottom plan view;

FIG. 4 is an enlarged front end elevation;

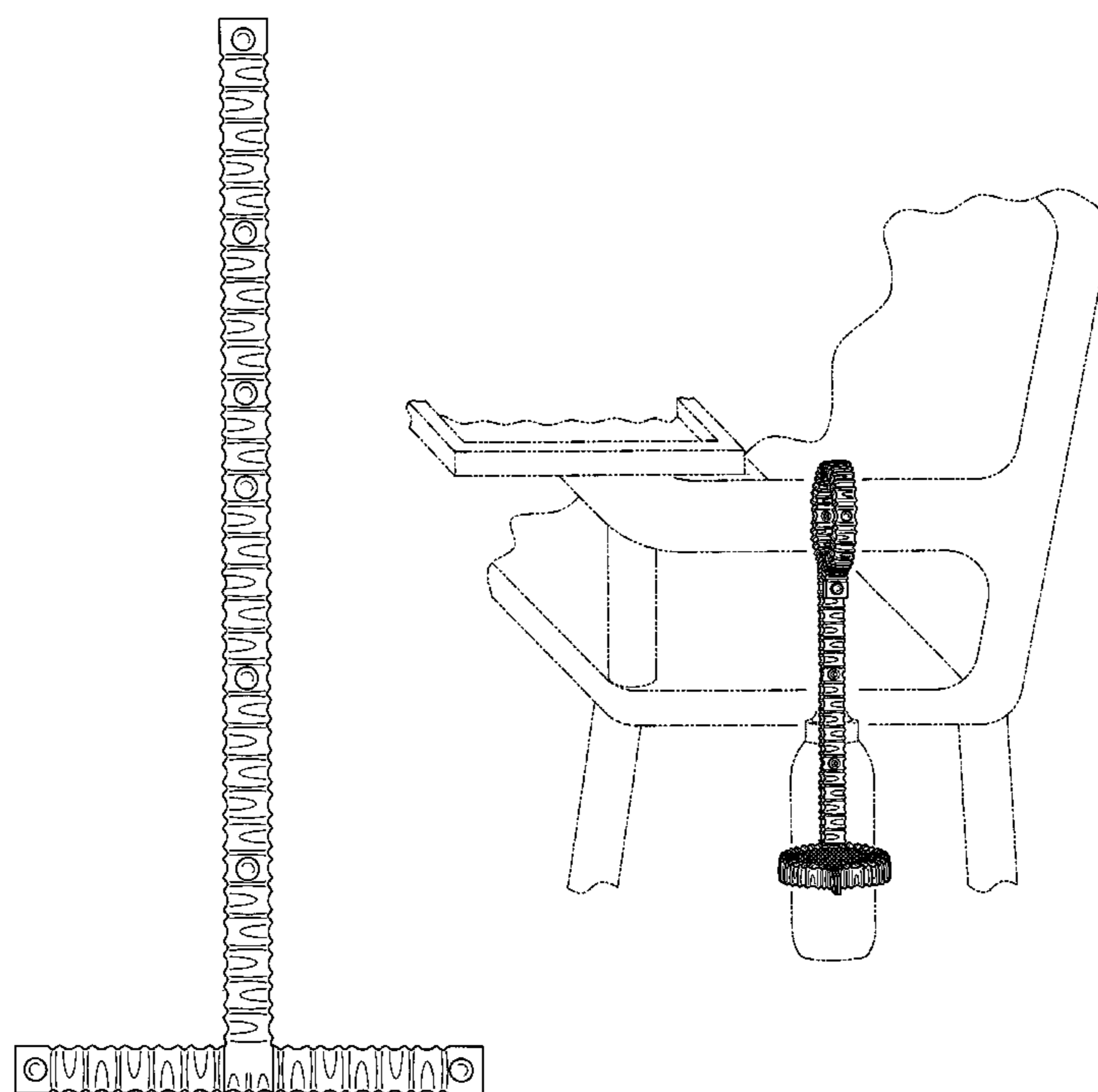
FIG. 5 is an enlarged rear end elevation;

FIG. 6 is a perspective view viewed during use with a baby bottle; and,

FIG. 7 is a perspective view of my new bottle holder as viewed during use with a baby bottle.

“The broken line showing of environment in the drawings is included for the purpose of illustration only and forms no part of the claimed design.”

1 Claim, 4 Drawing Sheets



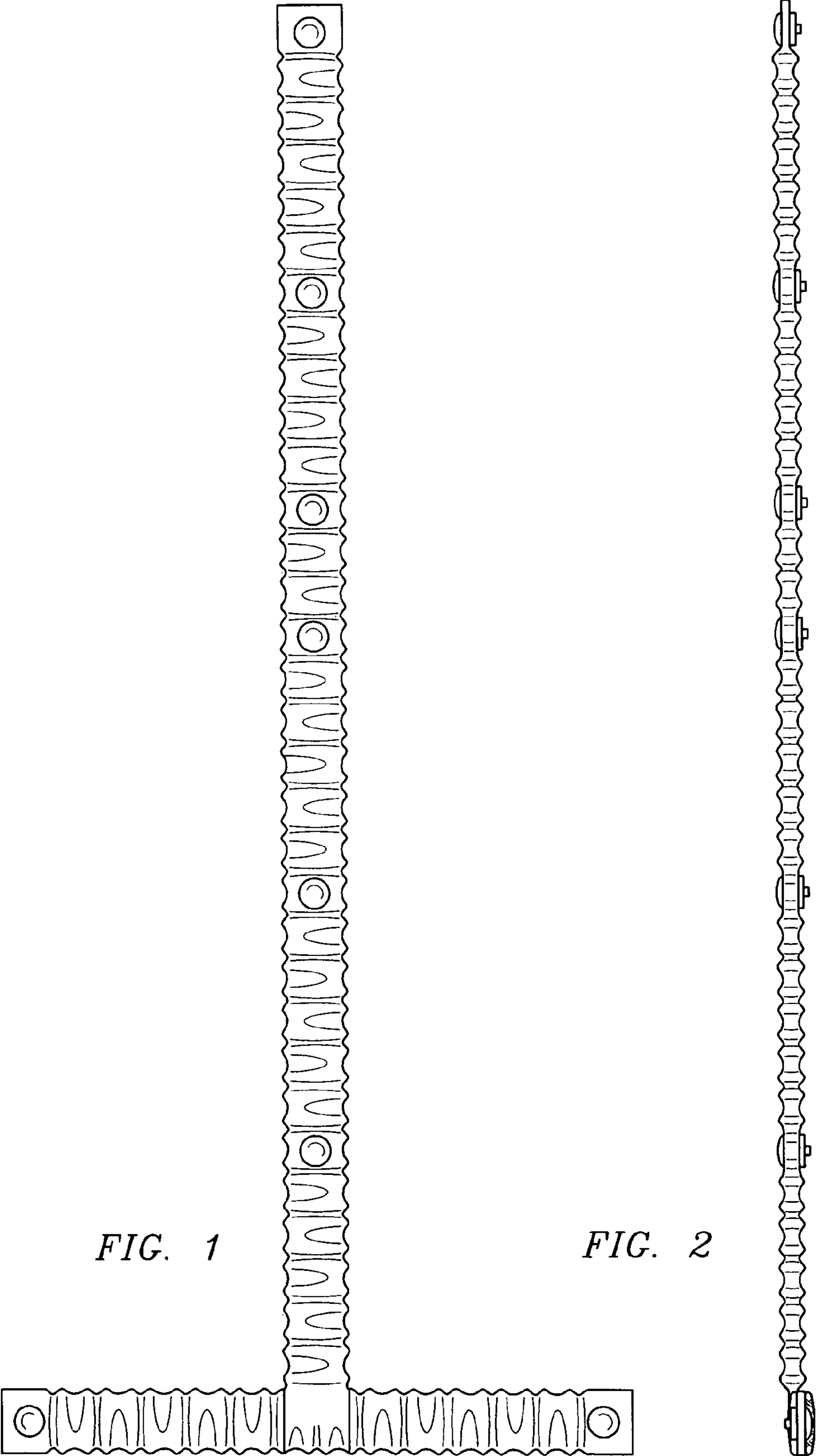


FIG. 1

FIG. 2

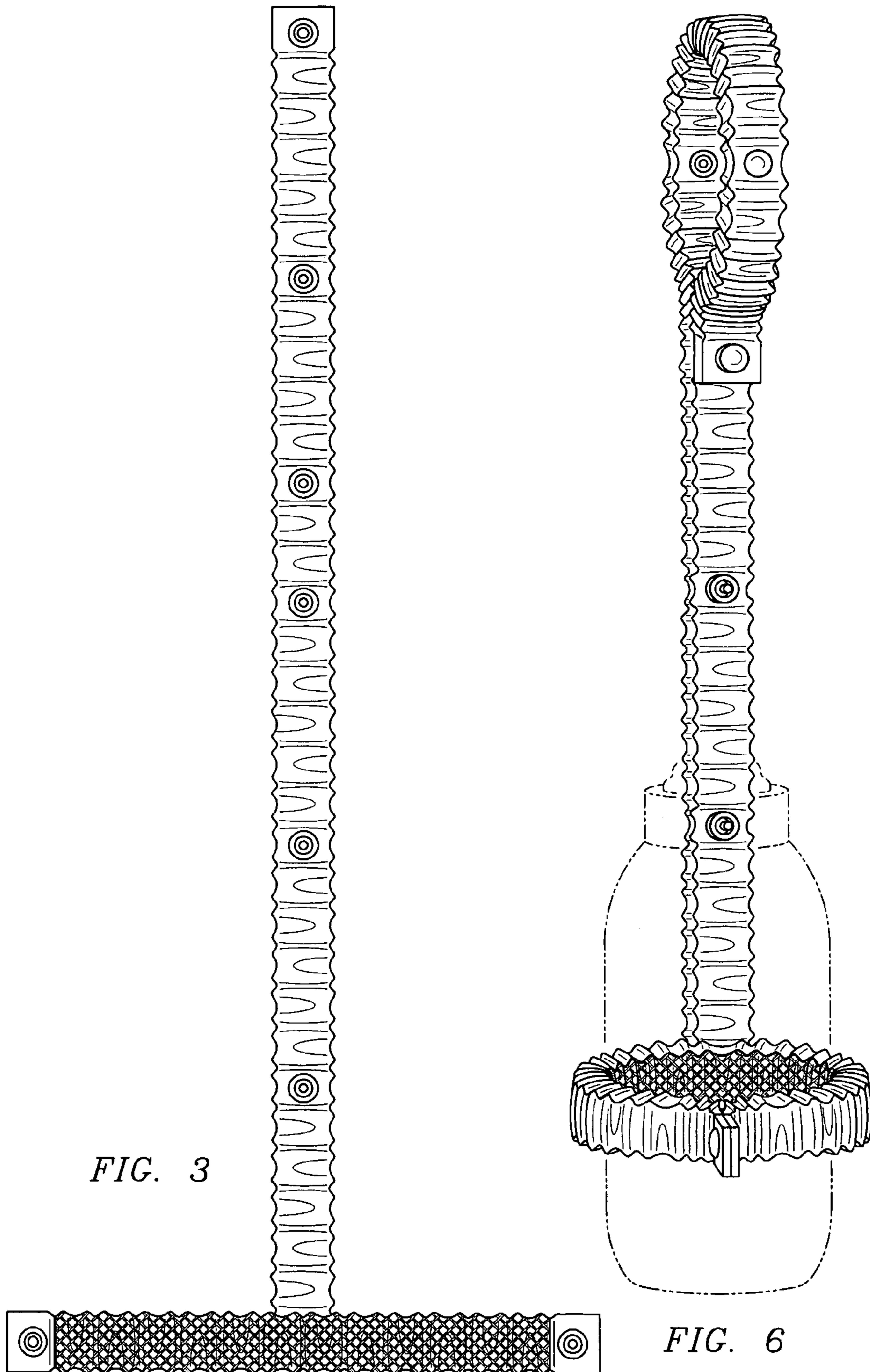


FIG. 3

FIG. 6

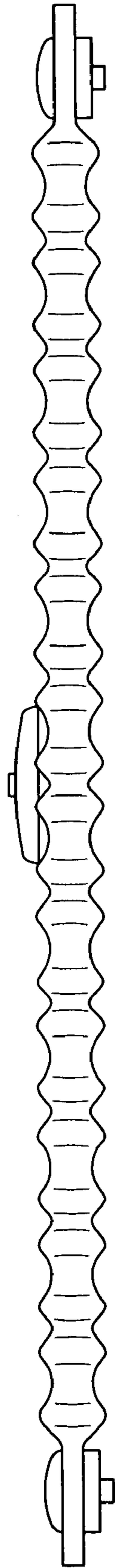


FIG. 4

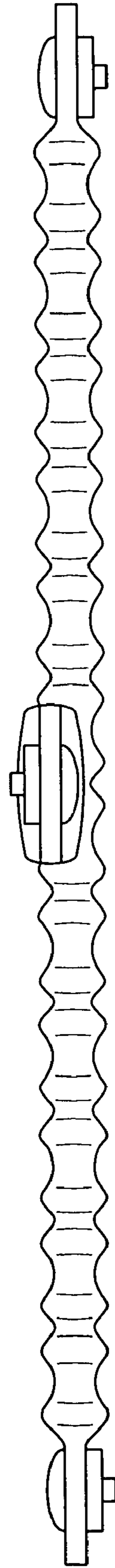


FIG. 5

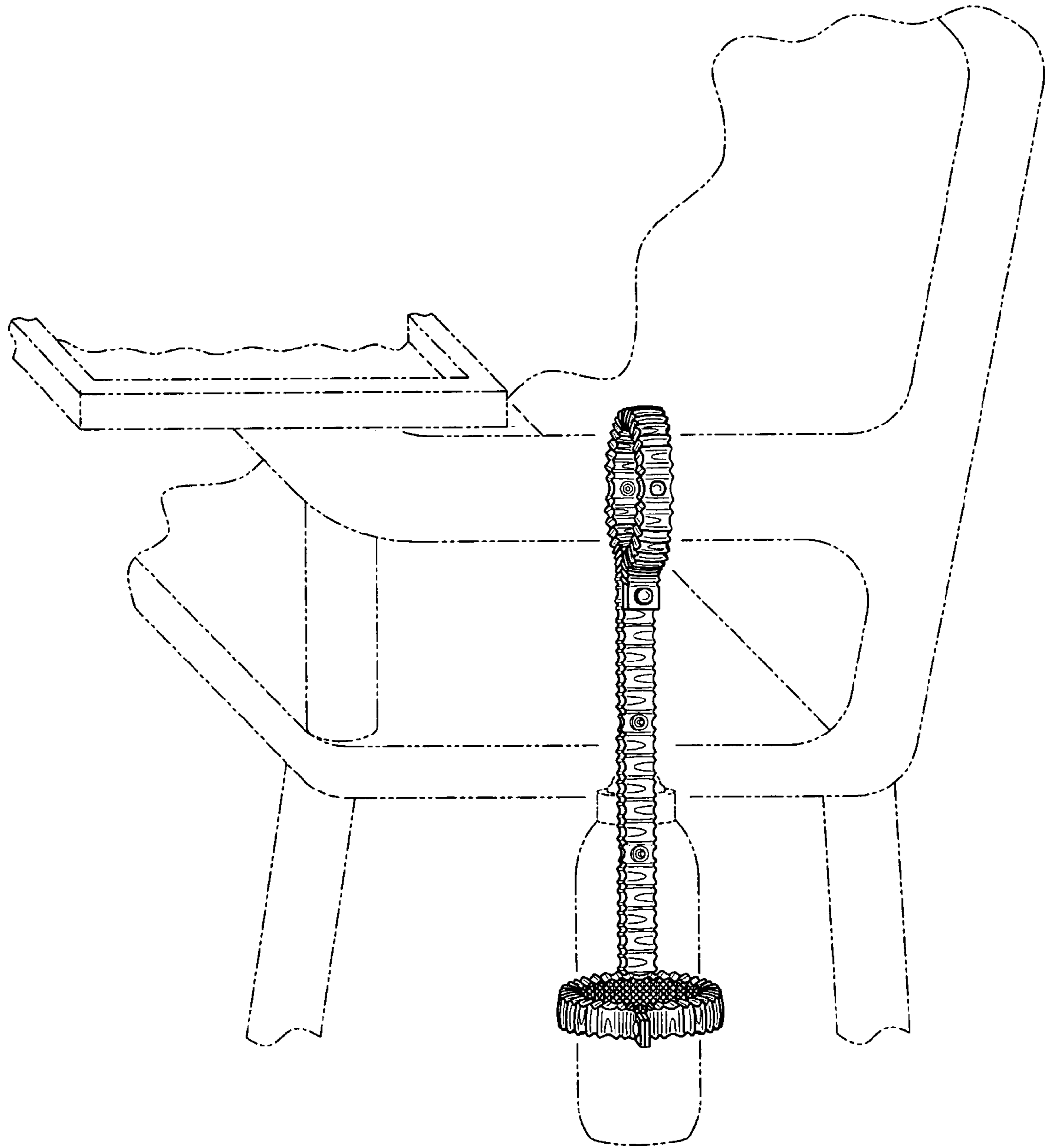


FIG. 7