



US00D625416S

(12) **United States Design Patent**
Kasai et al.

(10) **Patent No.:** **US D625,416 S**
(45) **Date of Patent:** **** Oct. 12, 2010**

(54) **X-RAY COMPUTED TOMOGRAPHY
SCANNER**

(75) Inventors: **Yoshimi Kasai**, Tokyo (JP); **Masaru
Yokoyama**, Tokyo (JP); **Atsushi
Ninomiya**, Tokyo (JP); **Mikio
Mochitate**, Tokyo (JP); **Takayuki
Kanamori**, Tokyo (JP)

(73) Assignee: **Hitachi Medical Corporation**, Tokyo
(JP)

(**) Term: **14 Years**

(21) Appl. No.: **29/336,249**

(22) Filed: **Apr. 30, 2009**

(30) **Foreign Application Priority Data**

Oct. 31, 2008 (JP) 2008-028175

(51) **LOC (9) Cl.** **24-01**

(52) **U.S. Cl.** **D24/158**

(58) **Field of Classification Search** D24/158-161,
D24/186; 378/4, 19-21, 23, 25, 27, 146
See application file for complete search history.

(56) **References Cited**

U.S. PATENT DOCUMENTS

D318,726 S * 7/1991 Takekoshi et al. D24/159

D420,134 S * 2/2000 Kitayama D24/159
D557,418 S * 12/2007 Onuma et al. D24/158
D564,096 S * 3/2008 Banryu D24/158
D570,484 S * 6/2008 Kaneko et al. D24/158
D590,504 S * 4/2009 Ogiwara D24/158
D591,862 S * 5/2009 Taniguchi et al. D24/158

* cited by examiner

Primary Examiner—T. Chase Nelson

Assistant Examiner—Anhdao Doan

(74) *Attorney, Agent, or Firm*—Antonelli, Terry, Stout &
Kraus, LLP.

(57) **CLAIM**

The ornamental design for an x-ray computed tomography
scanner, as shown.

DESCRIPTION

FIG. 1 is a front, top and right side perspective view of x-ray
computed tomography scanner showing our new design;

FIG. 2 is a front elevational view thereof;

FIG. 3 is a rear side elevational view thereof;

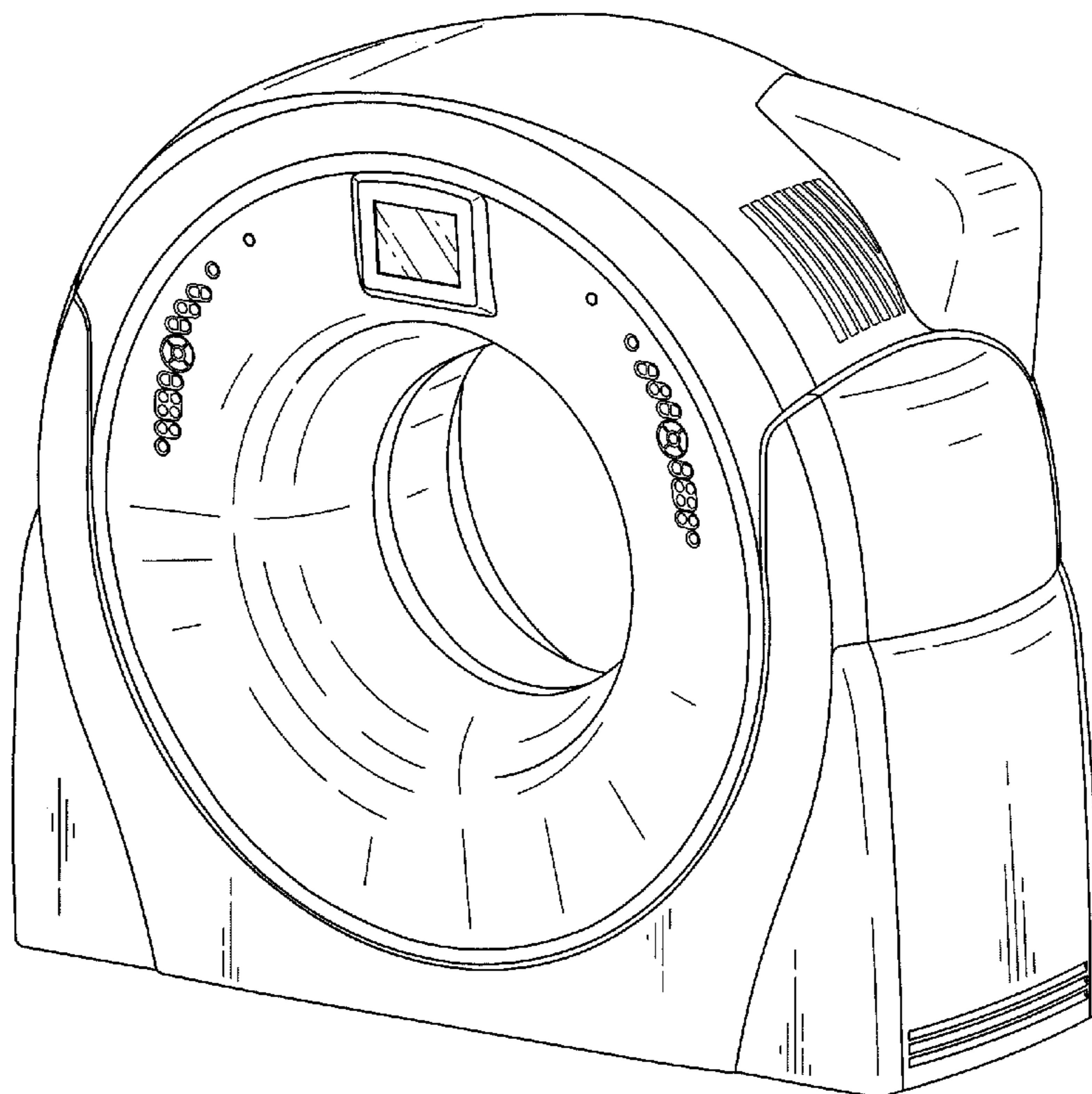
FIG. 4 is a left side elevational view thereof;

FIG. 5 is a right side elevational view thereof;

FIG. 6 is a top plan view thereof; and,

FIG. 7 is a bottom plan view thereof.

1 Claim, 5 Drawing Sheets



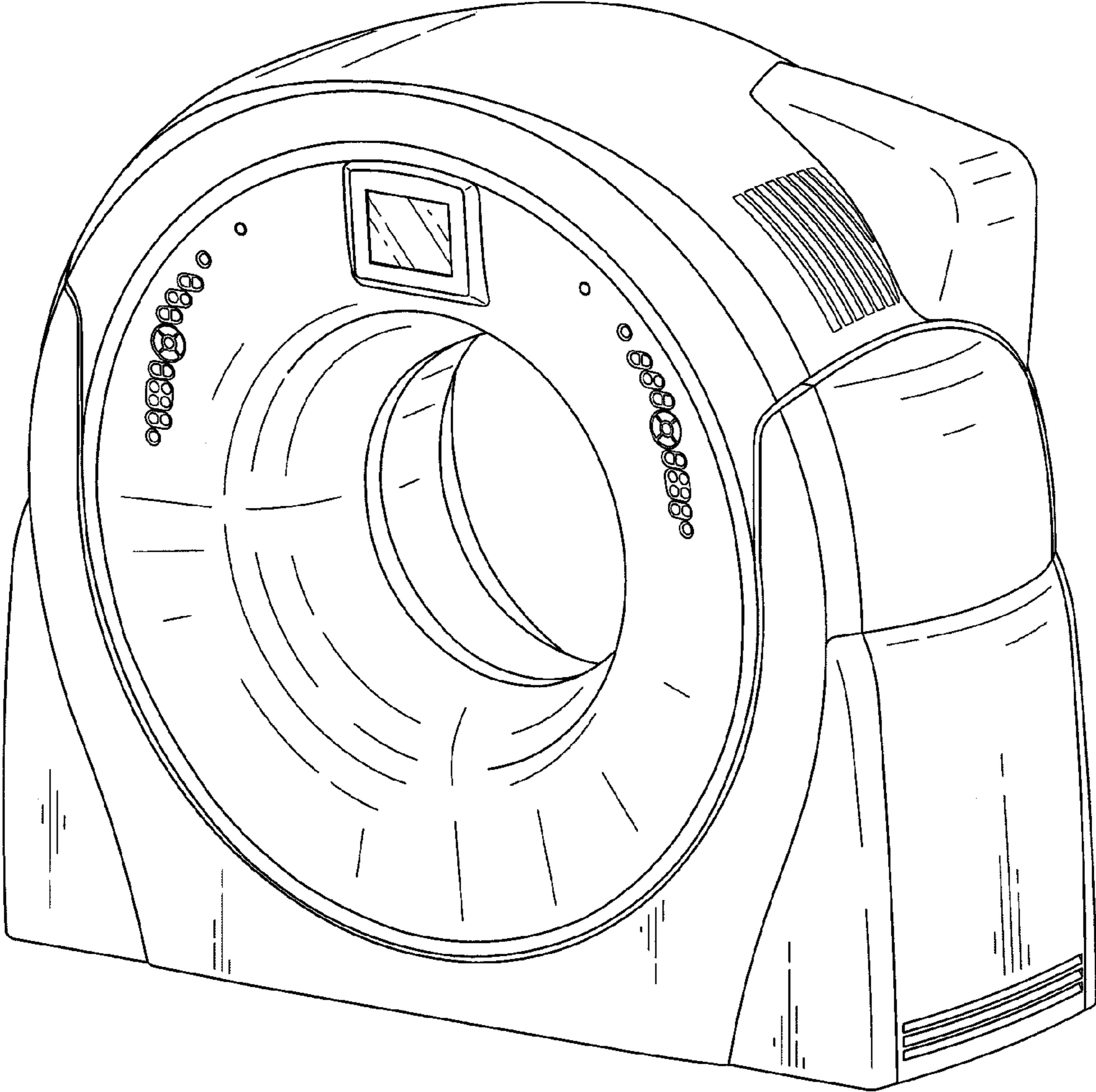


FIG. 1

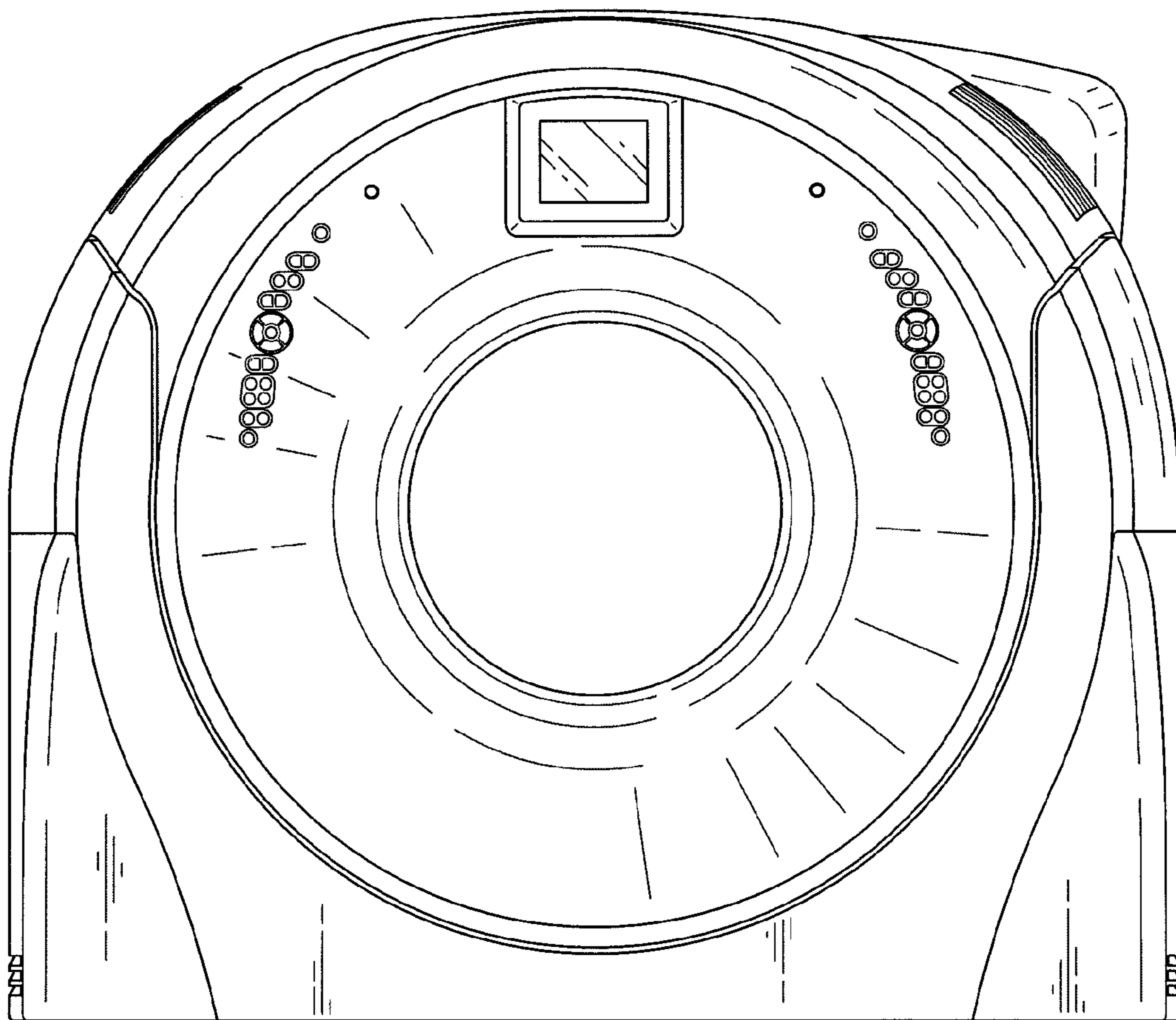


FIG. 2

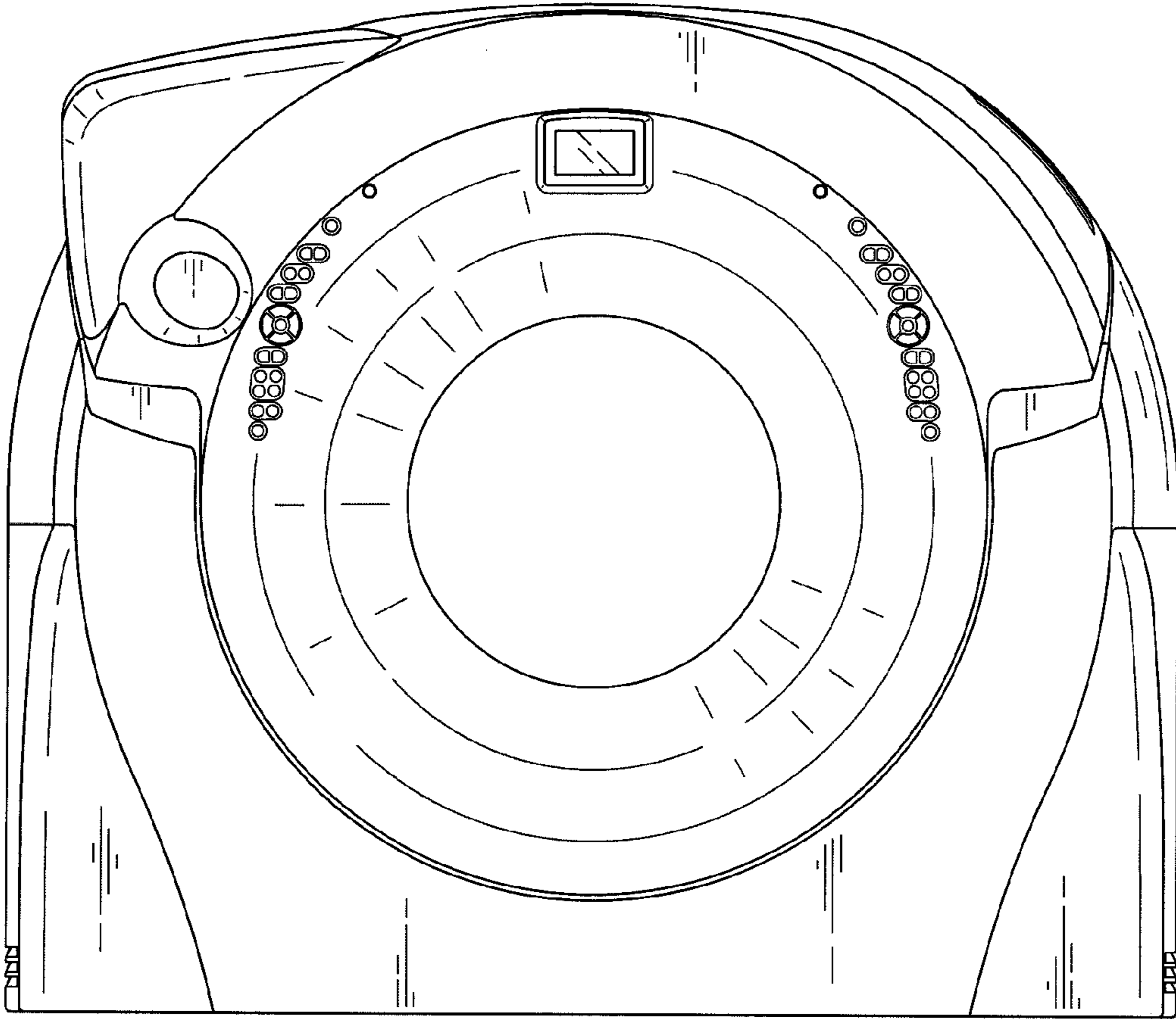


FIG. 3

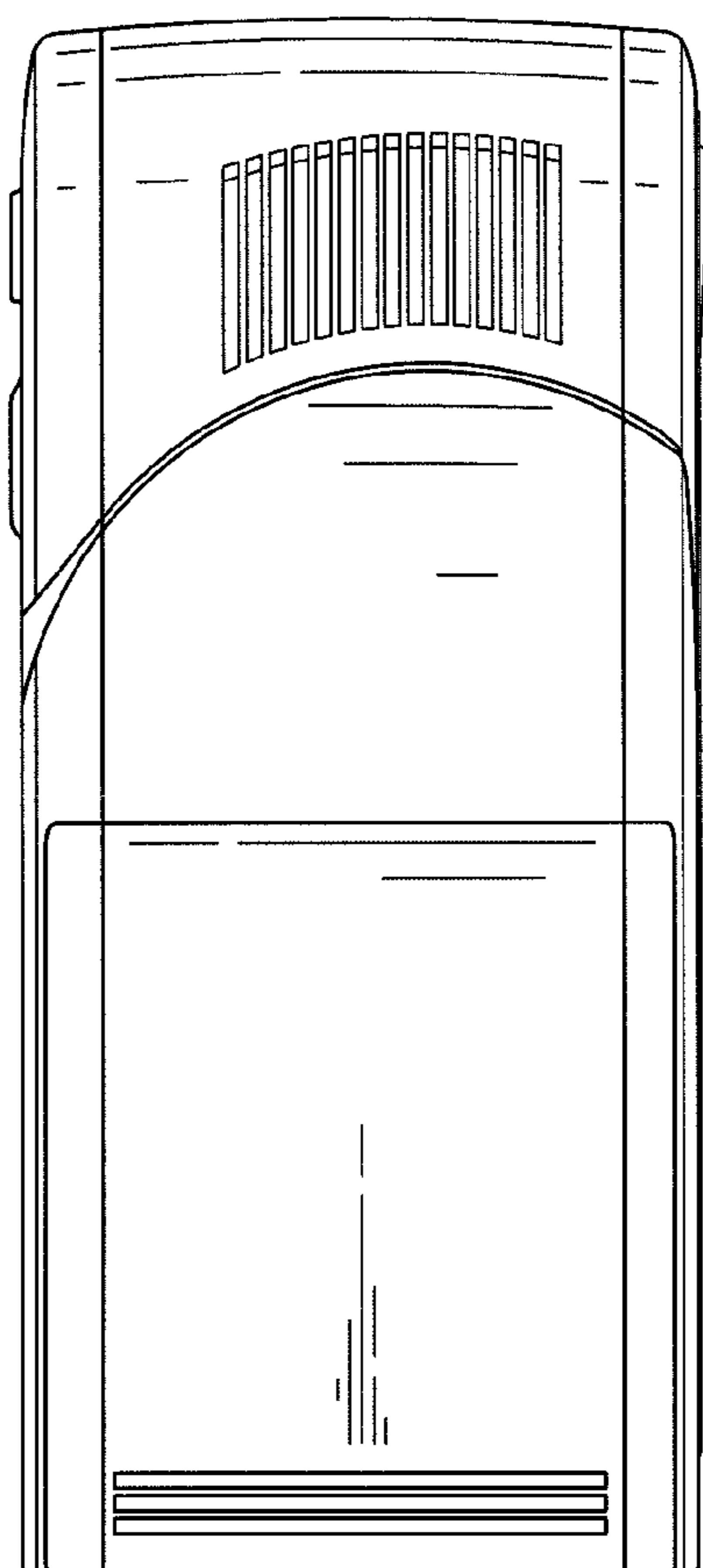


FIG. 4

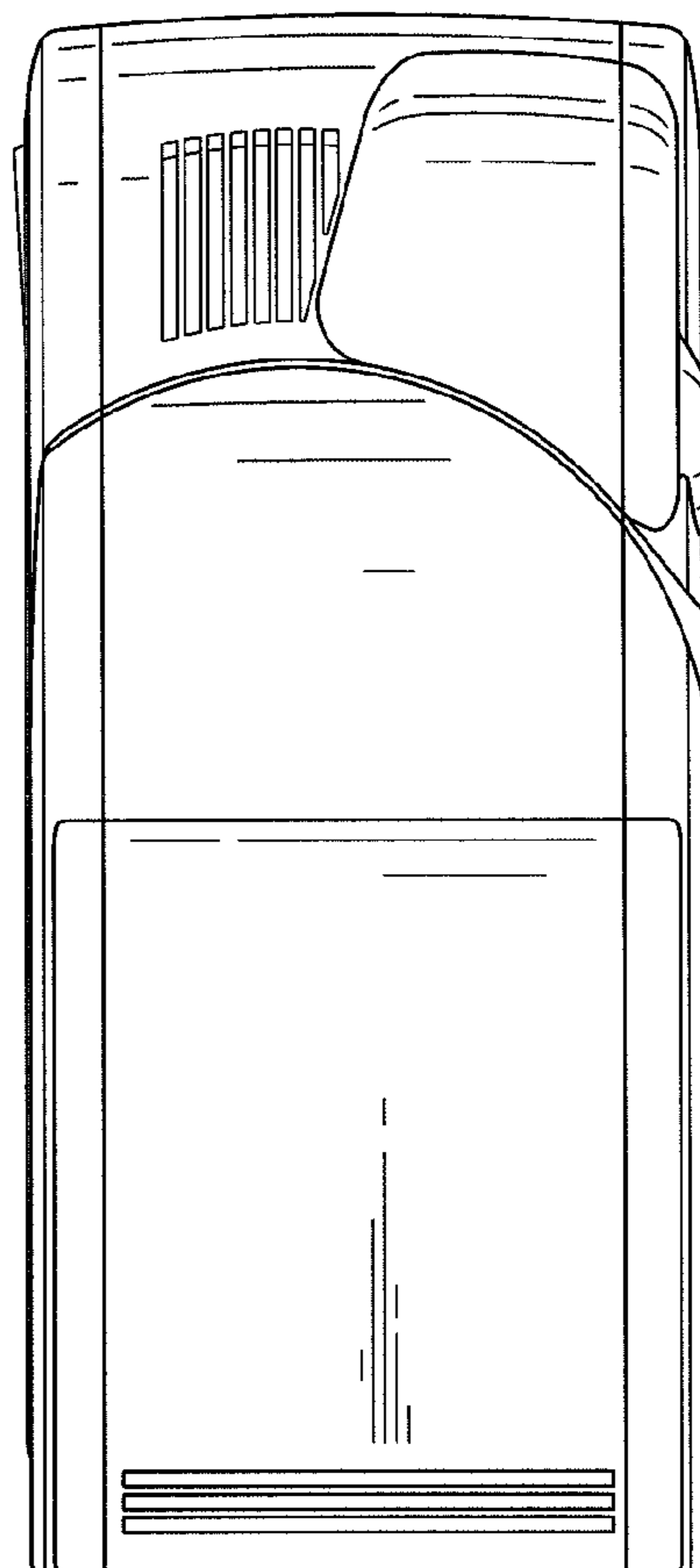


FIG. 5

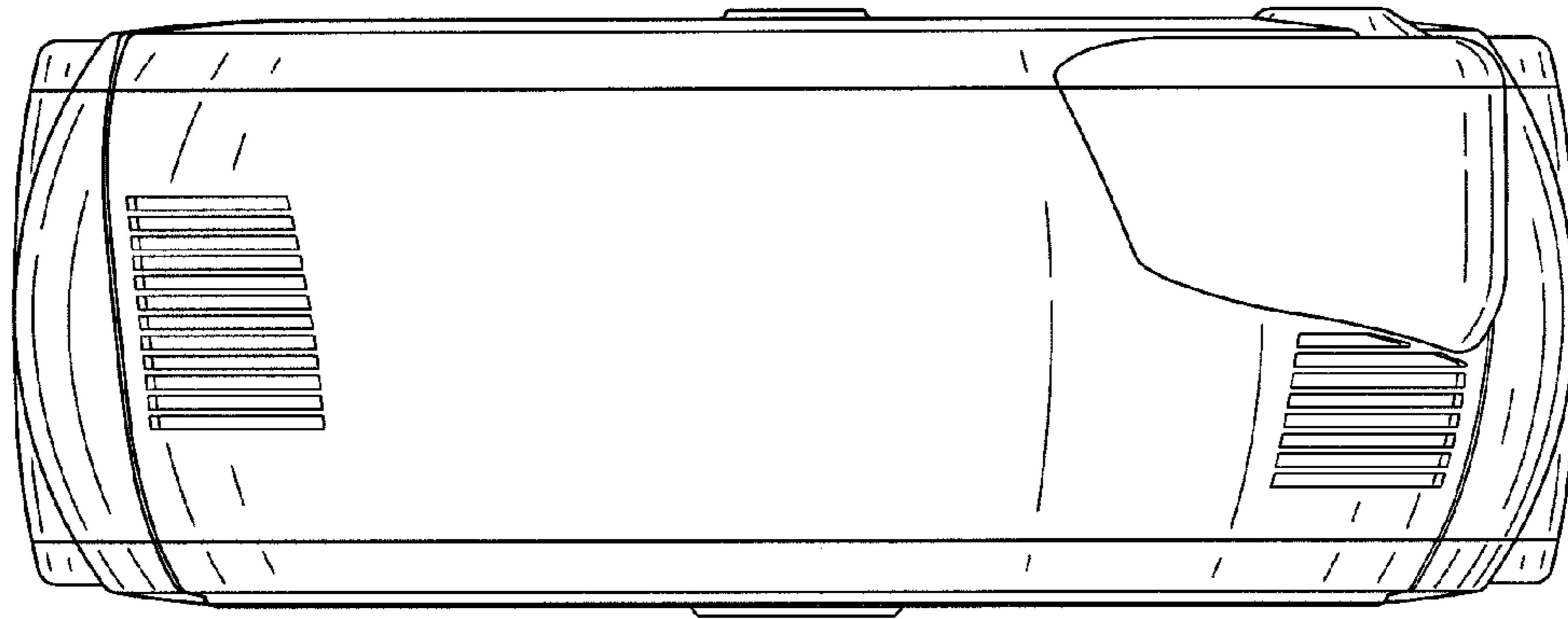


FIG. 6

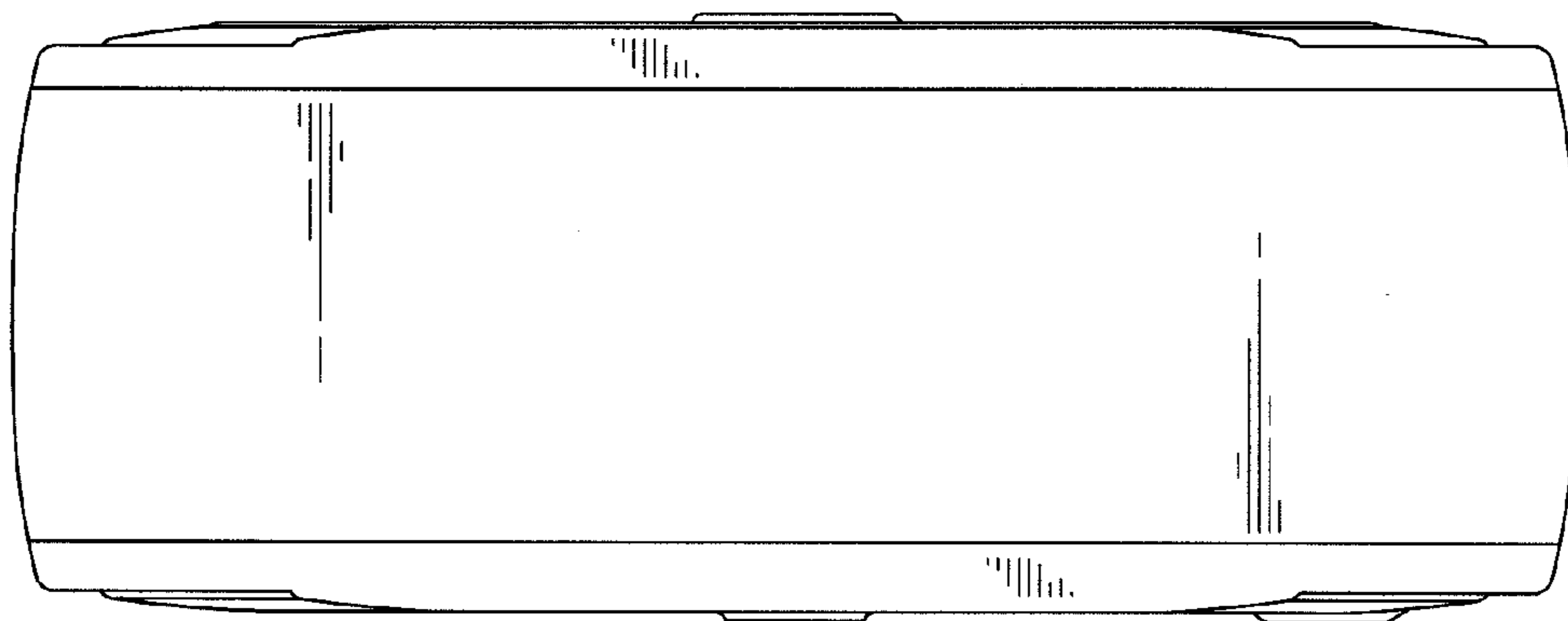


FIG. 7