



US00D625410S

(12) **United States Design Patent**
Chesnin et al.

(10) **Patent No.:** **US D625,410 S**
(45) **Date of Patent:** **** Oct. 12, 2010**

(54) **DUAL LUMEN CATHETER HUB**

(75) Inventors: **Kenneth J. Chesnin**, Philadelphia, PA (US); **Grace Y. Park**, North Wales, PA (US)

(73) Assignee: **Medical Components, Inc.**, Harleysville, PA (US)

(**) Term: **14 Years**

(21) Appl. No.: **29/342,821**

(22) Filed: **Sep. 1, 2009**

(51) **LOC (9) Cl.** **24-02**

(52) **U.S. Cl.** **D24/129**

(58) **Field of Classification Search** D24/108, D24/112, 129-130, 222; 604/96.01, 164, 604/171, 172, 177, 179-180, 246, 283, 533, 604/534-535, 539

See application file for complete search history.

(56) **References Cited**

U.S. PATENT DOCUMENTS

4,230,109	A	10/1980	Geiss	
4,362,156	A	12/1982	Feller, Jr. et al.	
5,562,630	A	10/1996	Nichols	
5,718,678	A	2/1998	Fleming, III	
D395,501	S	6/1998	Erskine et al.	
5,807,311	A	9/1998	Palestrant	
5,947,953	A	9/1999	Ash et al.	
D433,503	S	11/2000	Powers et al.	
6,190,349	B1 *	2/2001	Ash et al.	604/43
D459,802	S	7/2002	Cindrich	
6,689,096	B1	2/2004	Loubens et al.	
6,695,832	B2	2/2004	Schon et al.	
6,719,727	B2	4/2004	Brimhall et al.	
6,719,749	B1	4/2004	Schweikert et al.	
D498,844	S	11/2004	Diamond et al.	
D505,202	S	5/2005	Chesnin	
D515,211	S	2/2006	Chesnin	
D546,446	S	7/2007	Chesnin	
7,258,685	B2 *	8/2007	Kerr	604/539
7,300,430	B2 *	11/2007	Wilson et al.	604/523

D590,499	S	4/2009	Chesnin	
7,517,337	B2	4/2009	Morris et al.	
7,594,911	B2 *	9/2009	Powers et al.	604/533
7,731,708	B2 *	6/2010	Haarala et al.	604/534
2004/0097903	A1 *	5/2004	Raulerson	604/523
2005/0209581	A1	9/2005	Butts et al.	
2005/0209583	A1 *	9/2005	Powers et al.	604/533
2005/0222593	A1	10/2005	Markel et al.	
2007/0060866	A1 *	3/2007	Raulerson et al.	604/43

(Continued)

Primary Examiner—T. Chase Nelson
Assistant Examiner—Eric L Goodman
(74) *Attorney, Agent, or Firm*—Anton P. Ness; Fox Rothschild LLP

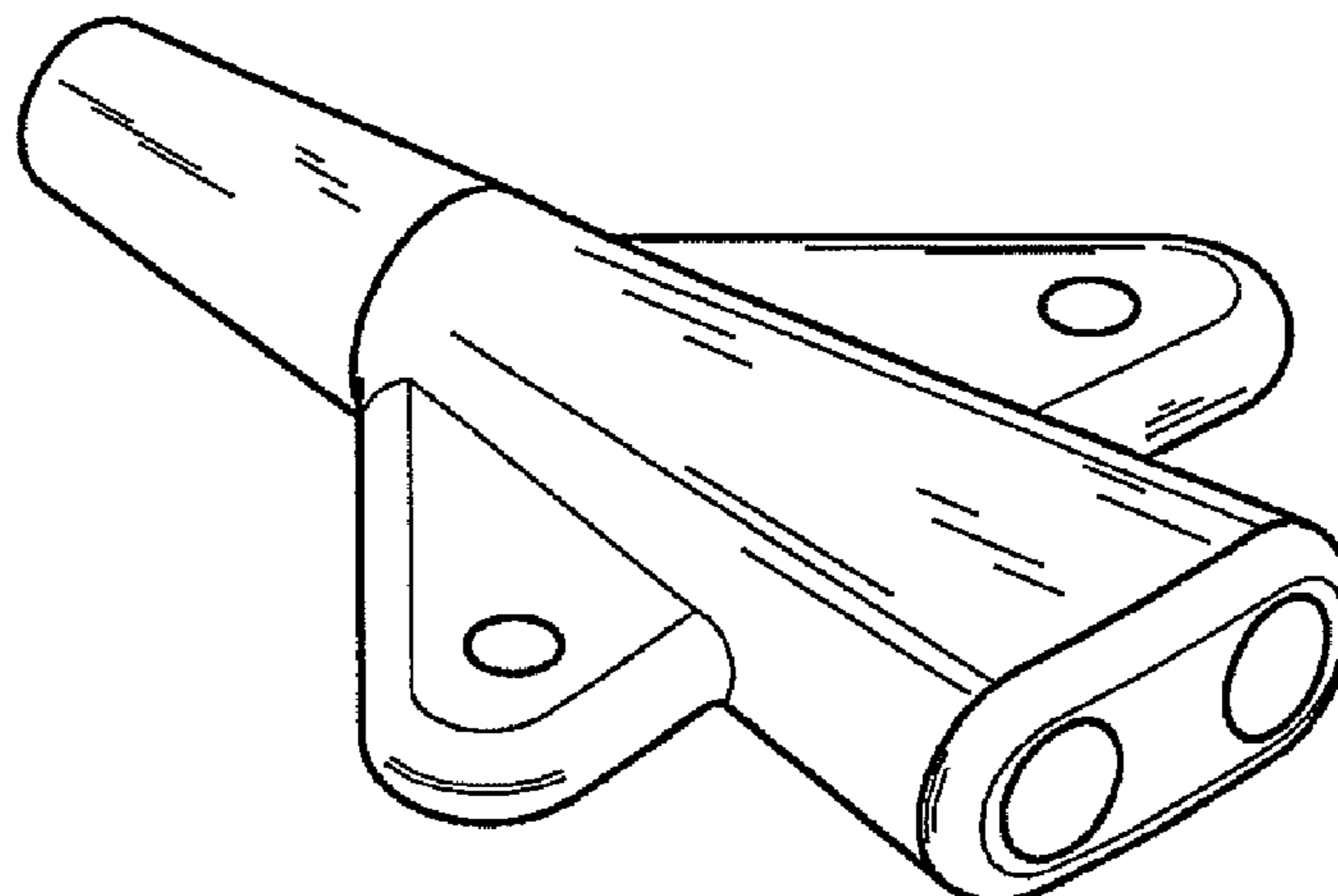
(57) **CLAIM**

The ornamental design for a dual lumen catheter hub, as shown and described.

DESCRIPTION

FIG. 1 is an isometric view of a dual lumen catheter hub according to the present invention.
FIG. 2 is a right side view of the dual lumen catheter hub shown in FIG. 1; the left side view is a mirror image thereof.
FIG. 3 is a top view of the dual lumen catheter hub shown in FIG. 1; the bottom view is a mirror image thereof.
FIG. 4 is a distal end view of the dual lumen catheter hub shown in FIG. 1; the detail within the center opening is shown in dashed lines and forms no part of the present invention; and,
FIG. 5 is a proximal end view of the dual lumen catheter hub shown in FIG. 1; the details within the two openings are shown in dashed lines and form no part of the present invention.

1 Claim, 1 Drawing Sheet



US D625,410 S

Page 2

U.S. PATENT DOCUMENTS

2007/0260221	A1	11/2007	Chesnin				
2008/0009803	A1*	1/2008	Schon et al.	604/173	2008/0045894	A1*	2/2008 Perchik et al. 604/96.01
2008/0009832	A1*	1/2008	Barron et al.	604/533	2010/0010445	A1*	1/2010 Powers et al. 604/164.03
					2010/0057049	A1*	3/2010 Levin 604/523
					2010/0100074	A1*	4/2010 Smith et al. 604/533

* cited by examiner

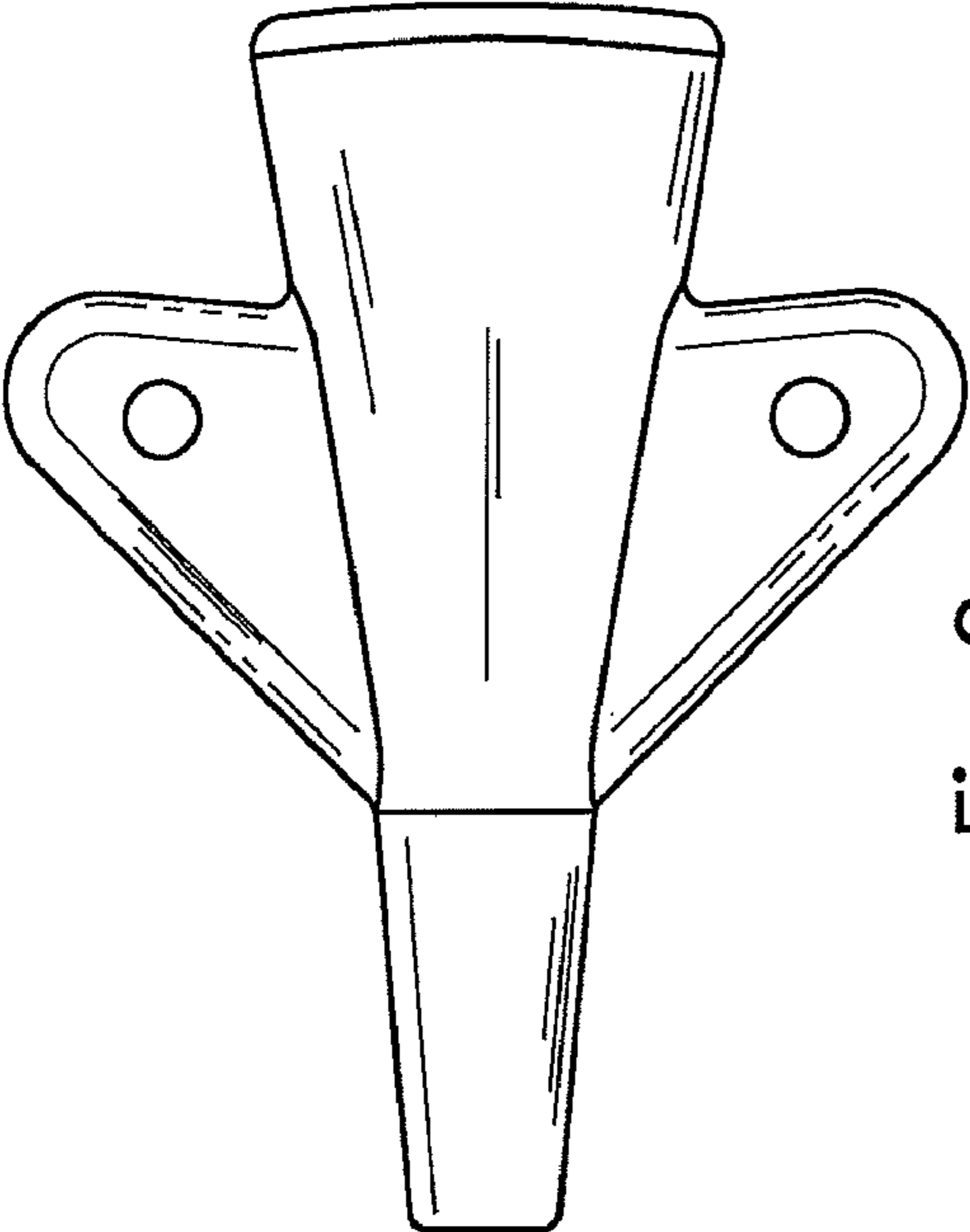


Fig 3

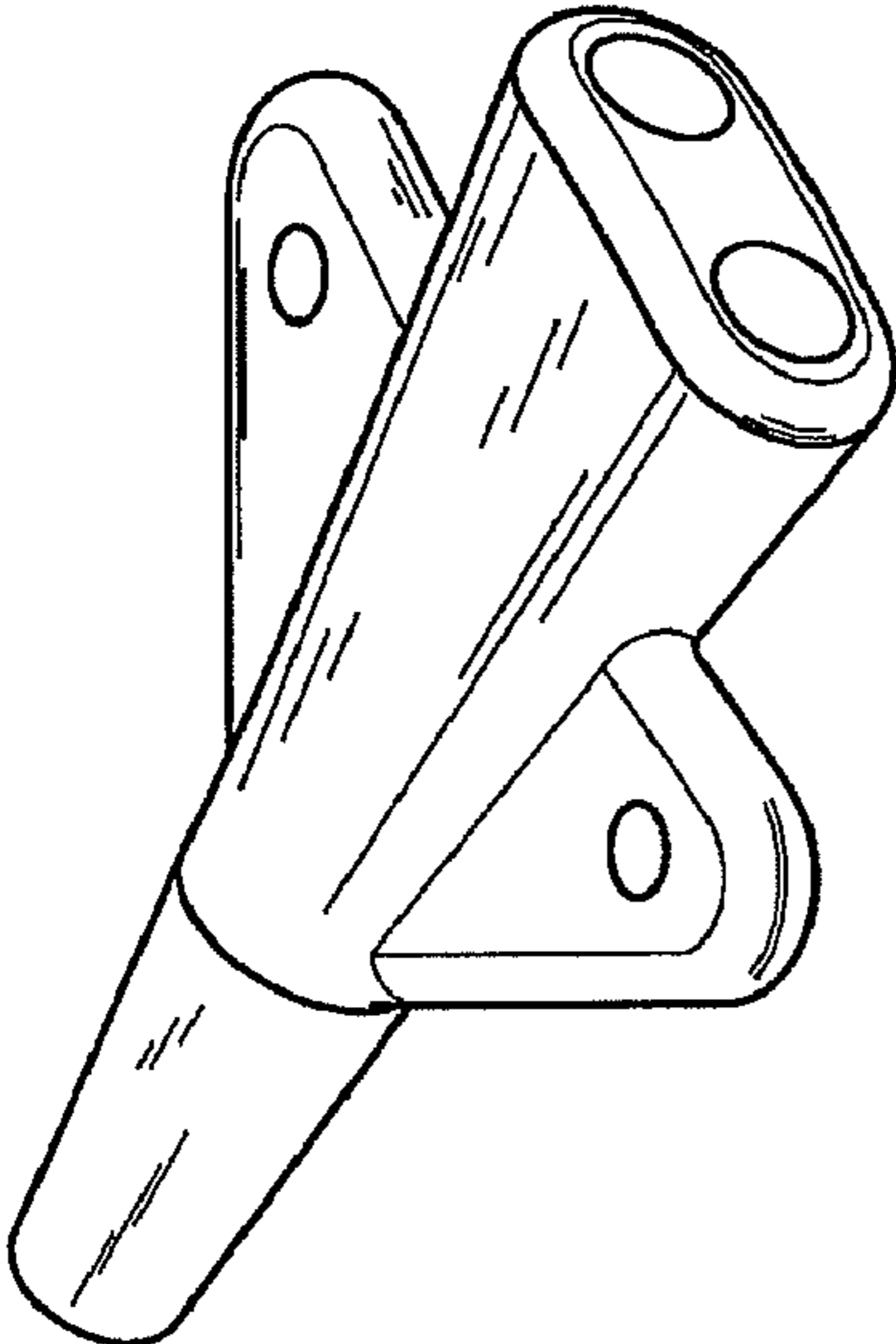


Fig 1

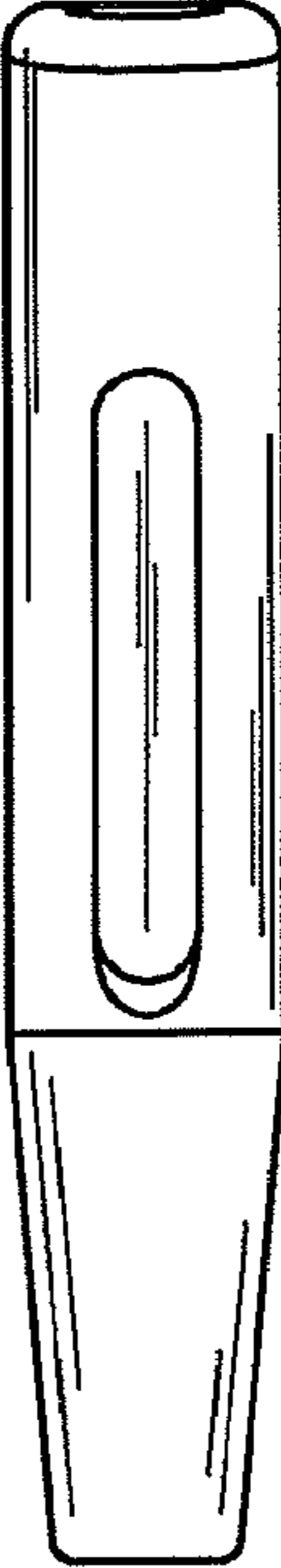


Fig 2

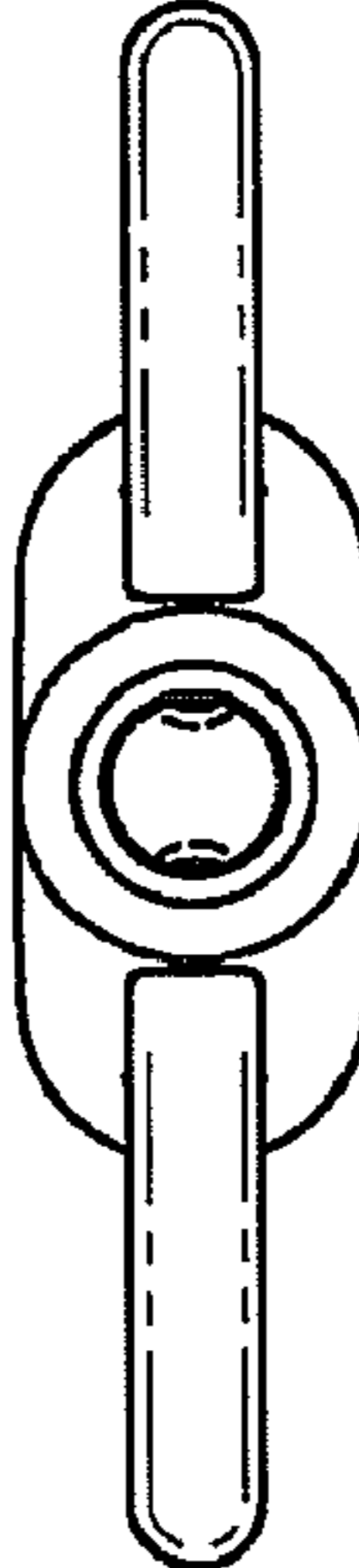


Fig 4

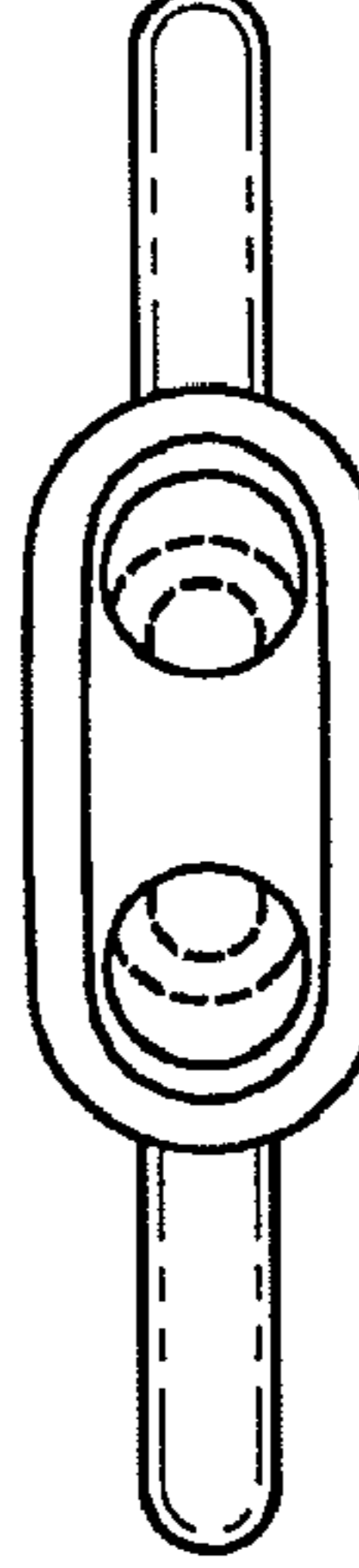


Fig 5