



US00D625407S

(12) **United States Design Patent**  
**Koizumi et al.**

(10) **Patent No.:** **US D625,407 S**  
(45) **Date of Patent:** **\*\* Oct. 12, 2010**

(54) **AUTOMATIC URINE ACCUMULATOR**

(75) Inventors: **Hiroshi Koizumi**, Tokyo (JP); **Ryosuke Miyagawa**, Kasukabe (JP); **Tetsuya Tanaka**, Tokyo (JP); **Yoshikazu Ishitsuka**, Omitama (JP); **Shigeharu Sayama**, Fukuchi (JP)

(73) Assignee: **Hitachi, Ltd.**, Tokyo (JP)

(\*\*) Term: **14 Years**

(21) Appl. No.: **29/340,119**

(22) Filed: **Jul. 14, 2009**

(30) **Foreign Application Priority Data**

Jan. 19, 2009 (JP) ..... 2009-000859

(51) **LOC (9) Cl.** ..... **24-01**

(52) **U.S. Cl.** ..... **D24/122**

(58) **Field of Classification Search** ..... D24/108–110.5,  
D24/121, 122, 123, 216, 232; 604/317–326  
See application file for complete search history.

(56) **References Cited**

**U.S. PATENT DOCUMENTS**

D284,278	S *	6/1986	Hennen	.....	D13/104
5,331,689	A *	7/1994	Haq	.....	4/144.1
5,342,330	A *	8/1994	Kane et al.	.....	604/329
5,637,103	A *	6/1997	Kerwin et al.	.....	604/317
5,701,612	A *	12/1997	Daneshvar	.....	4/144.3
6,070,275	A *	6/2000	Garlock	.....	4/144.1
6,311,339	B1 *	11/2001	Kraus	.....	4/144.3
6,493,883	B2 *	12/2002	Jones	.....	4/144.1
D469,176	S *	1/2003	Hall et al.	.....	D24/111

D477,869	S *	7/2003	Vijfvinkel	.....	D24/111
6,732,384	B2 *	5/2004	Scott	.....	4/144.3
6,857,137	B2 *	2/2005	Otto	.....	4/144.1
6,904,621	B2 *	6/2005	Otto et al.	.....	4/144.1
D536,782	S *	2/2007	Koizumi et al.	.....	D24/108
D562,975	S *	2/2008	Otto	.....	D24/108
D564,655	S	3/2008	Koizumi et al.	.....	
D590,934	S *	4/2009	Randolph et al.	.....	D24/107
2007/0225666	A1 *	9/2007	Otto	.....	604/317
2007/0225668	A1 *	9/2007	Otto	.....	604/347

\* cited by examiner

*Primary Examiner*—Charles A Rademaker

*Assistant Examiner*—Charles D Hanson

(74) *Attorney, Agent, or Firm*—Antonelli, Terry, Stout & Kraus, LLP.

(57) **CLAIM**

We claim the ornamental design for an automatic urine accumulator, as shown.

**DESCRIPTION**

FIG. 1 is a front, top and right side perspective view of an automatic urine accumulator showing our new design;

FIG. 2 is a rear, top and left side perspective view thereof;

FIG. 3 is a front elevational view thereof;

FIG. 4 is a rear elevational view thereof;

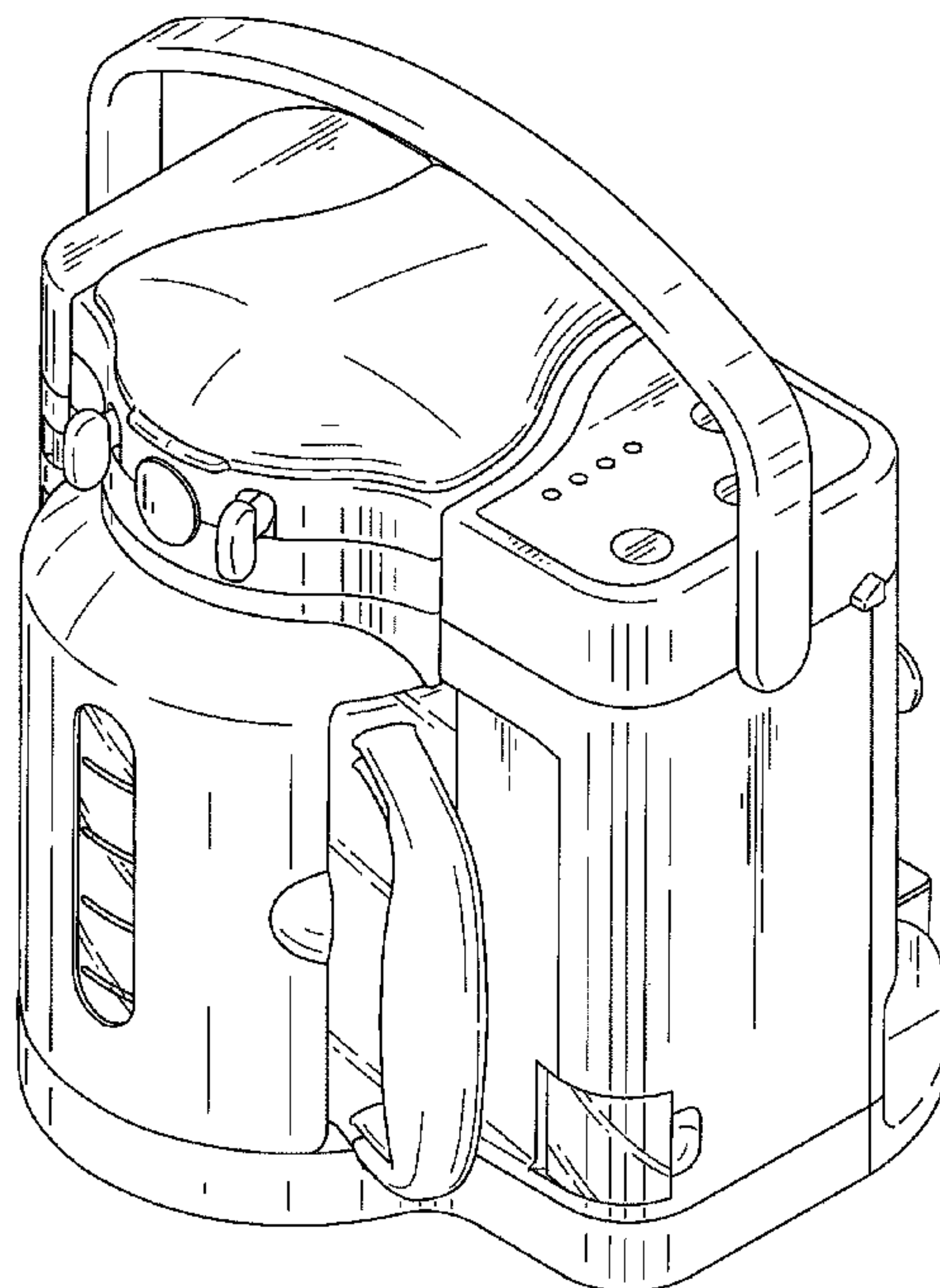
FIG. 5 is a top plan view thereof;

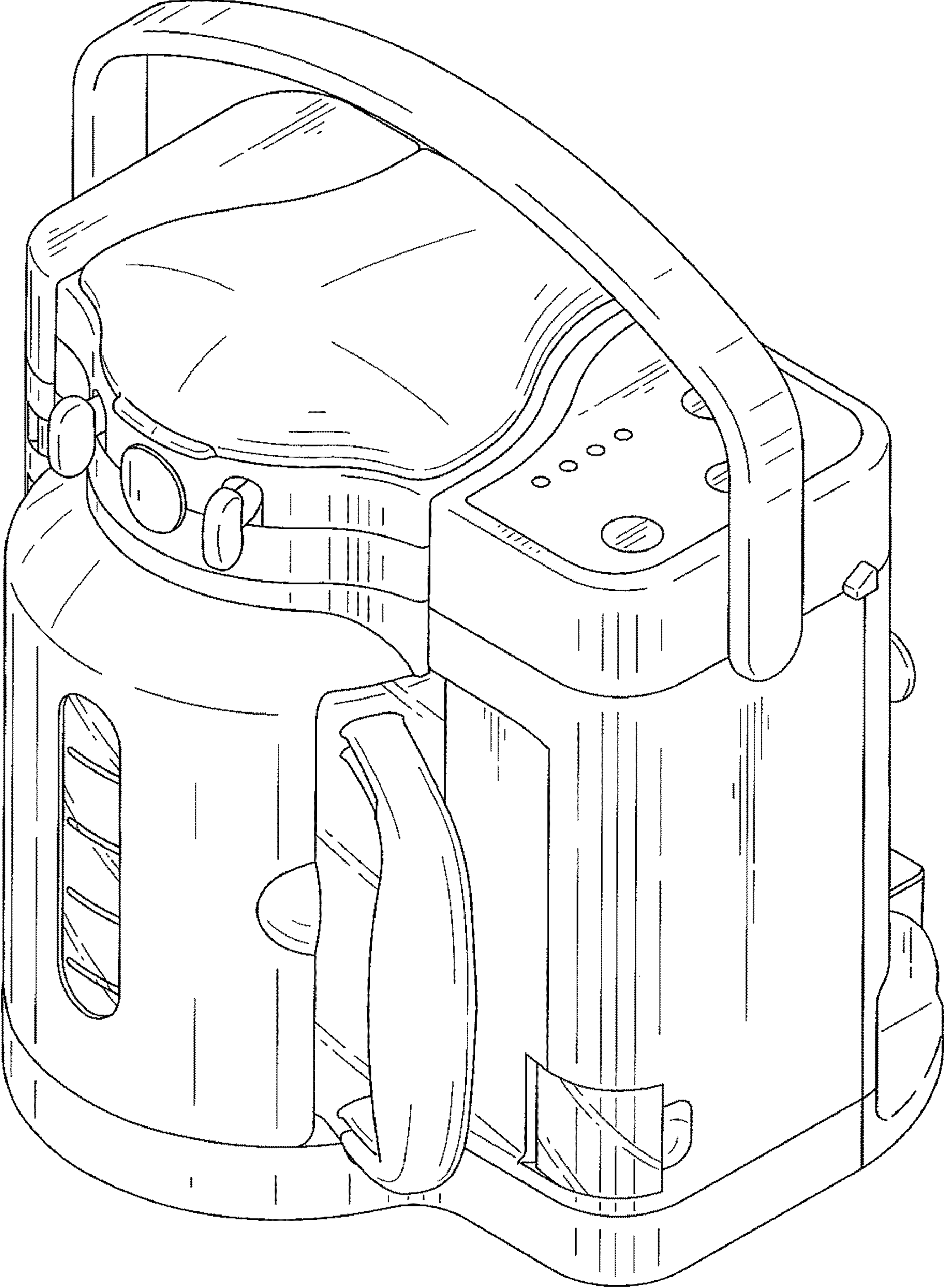
FIG. 6 is a bottom plan view thereof;

FIG. 7 is a left side elevational view thereof; and,

FIG. 8 is a right side elevational view thereof.

**1 Claim, 8 Drawing Sheets**





**FIG. 1**



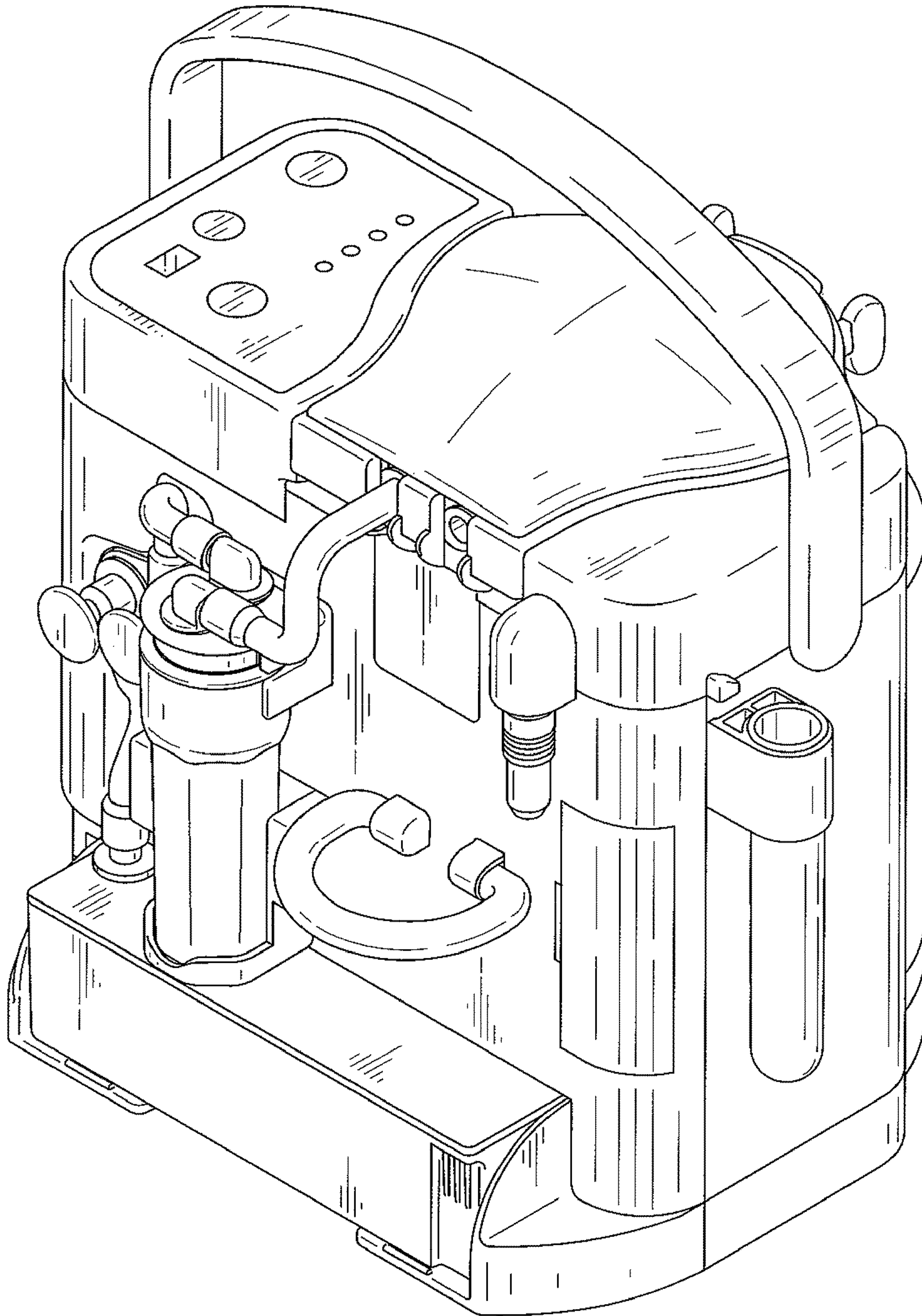
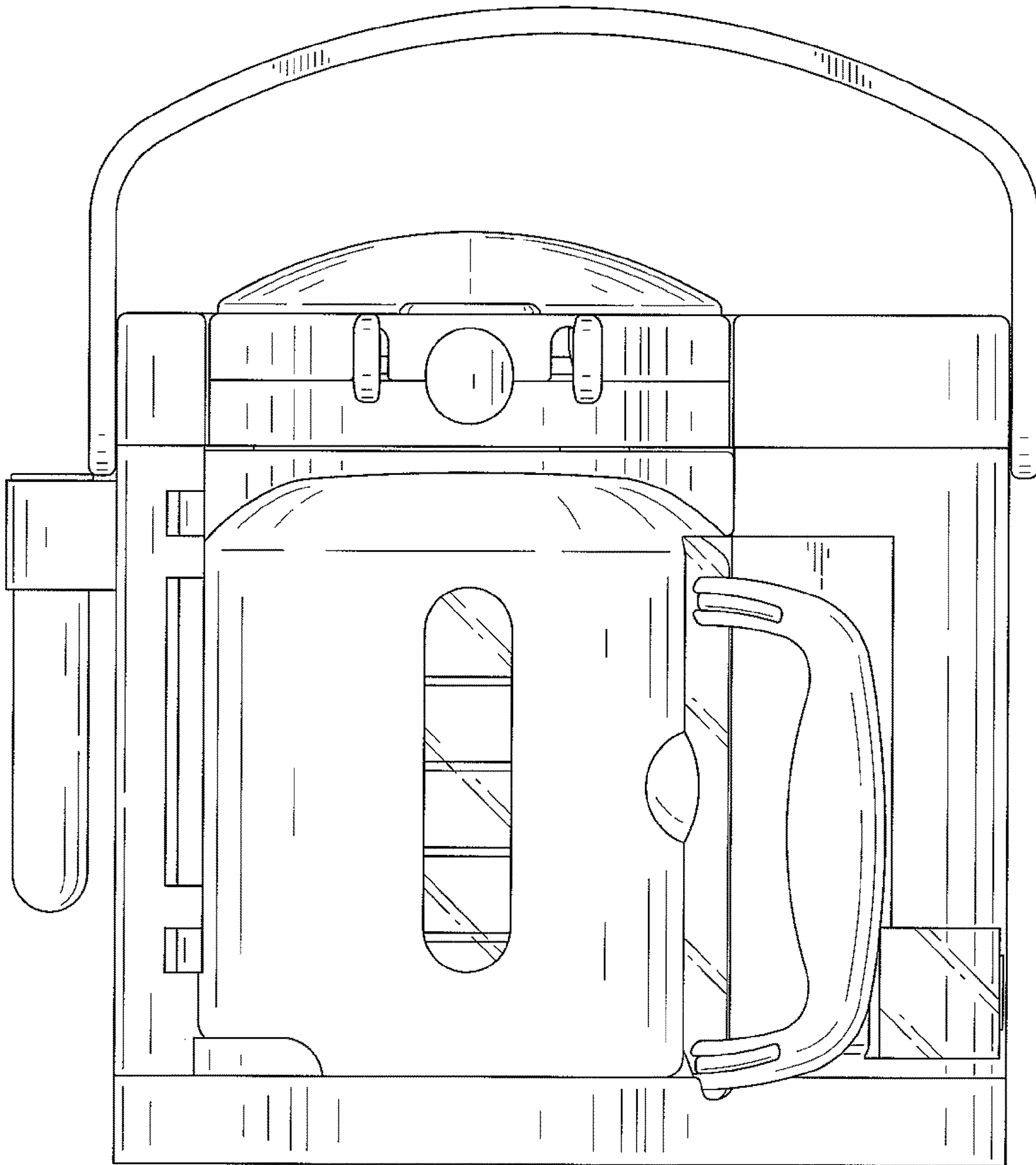


FIG. 2



*FIG. 3*

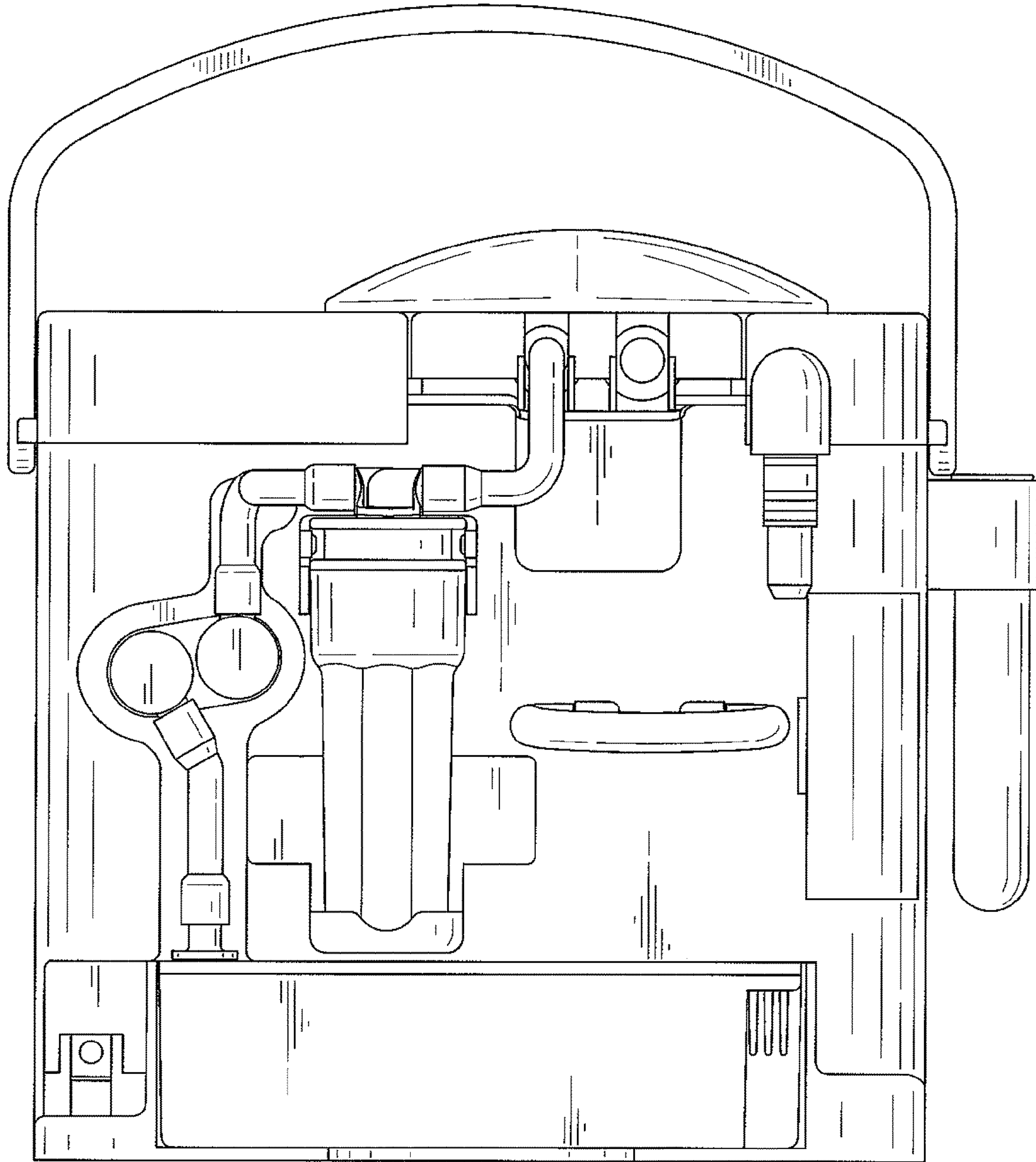


FIG. 4



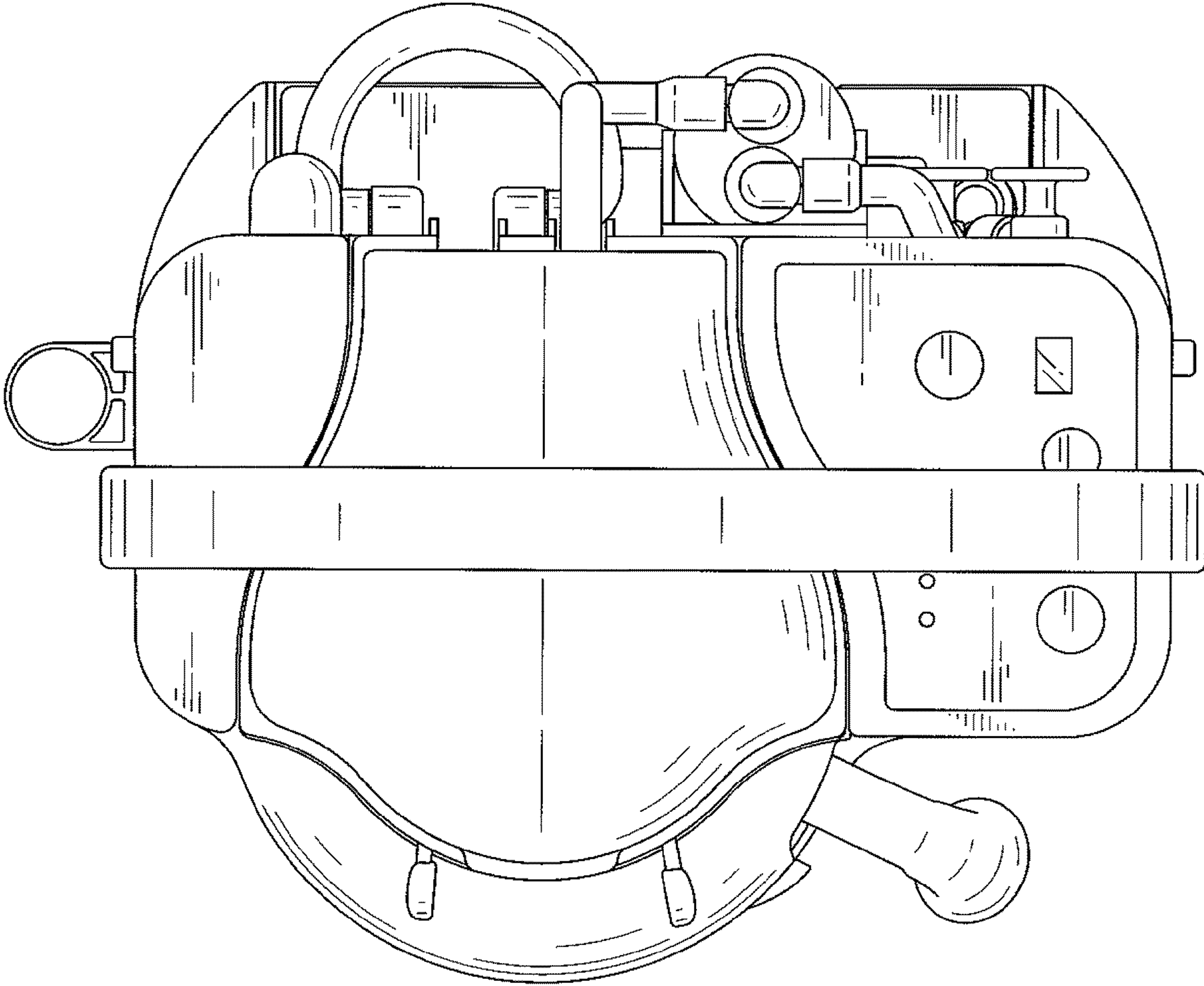
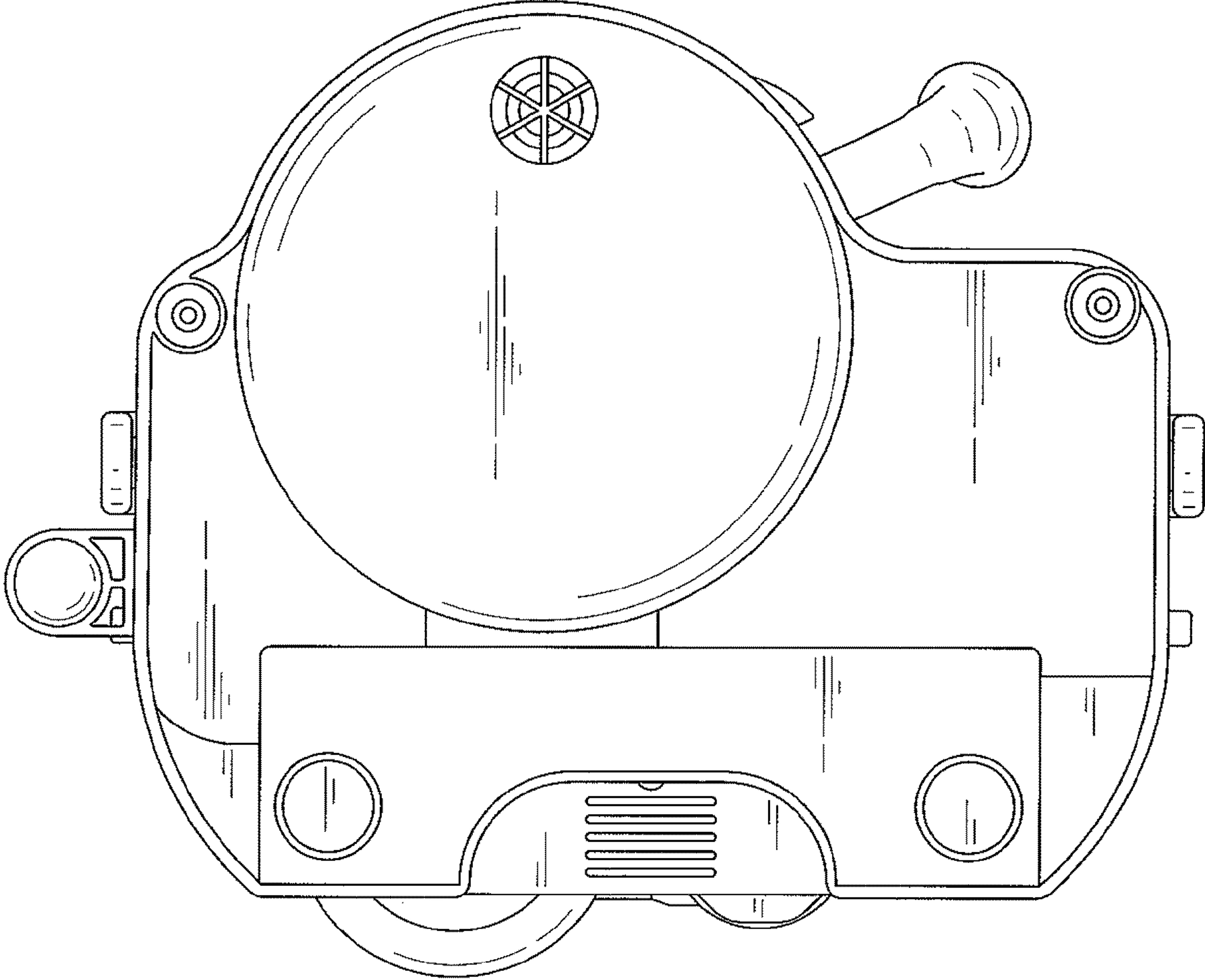
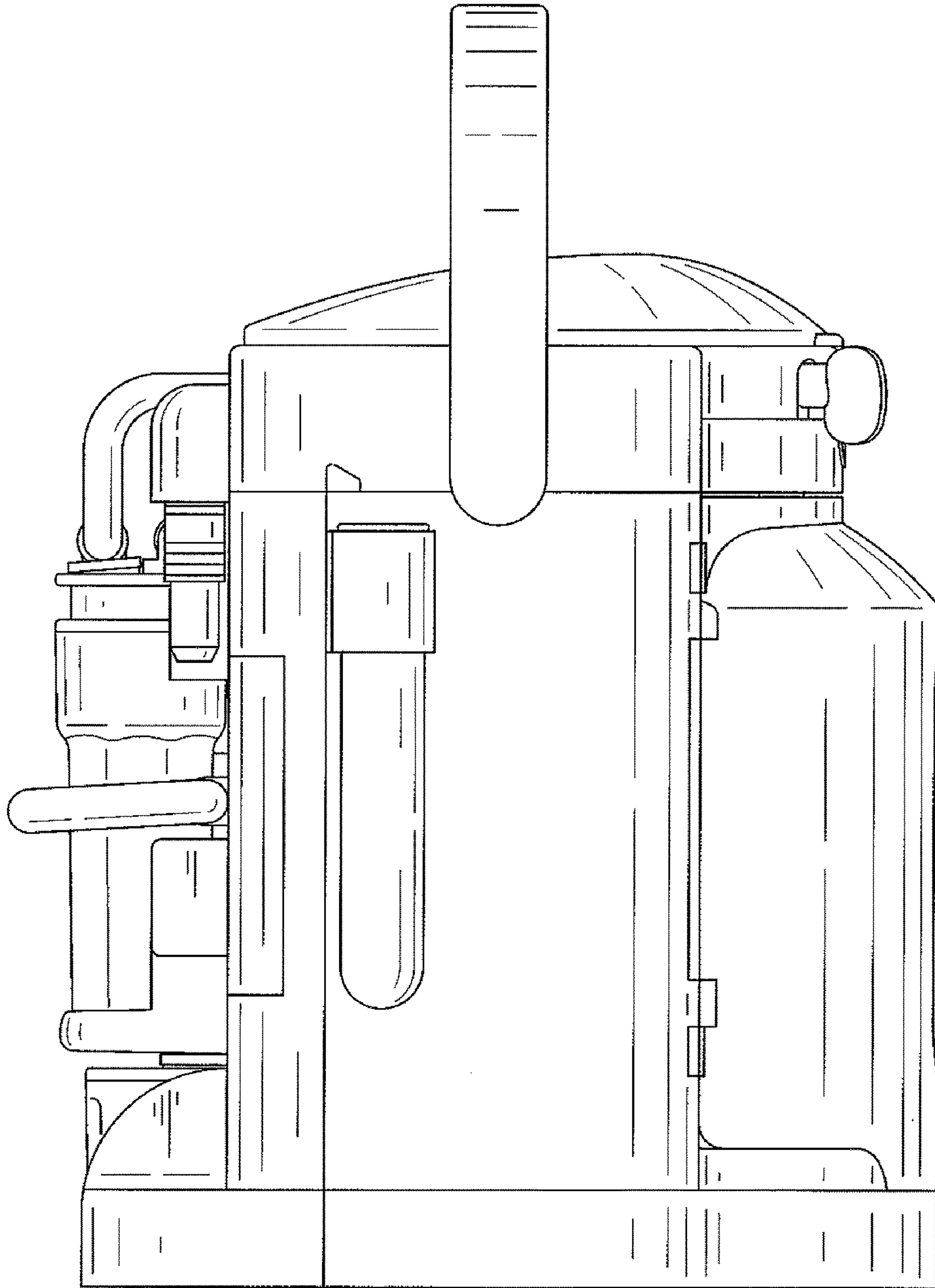


FIG. 5



**FIG. 6**



**FIG. 7**



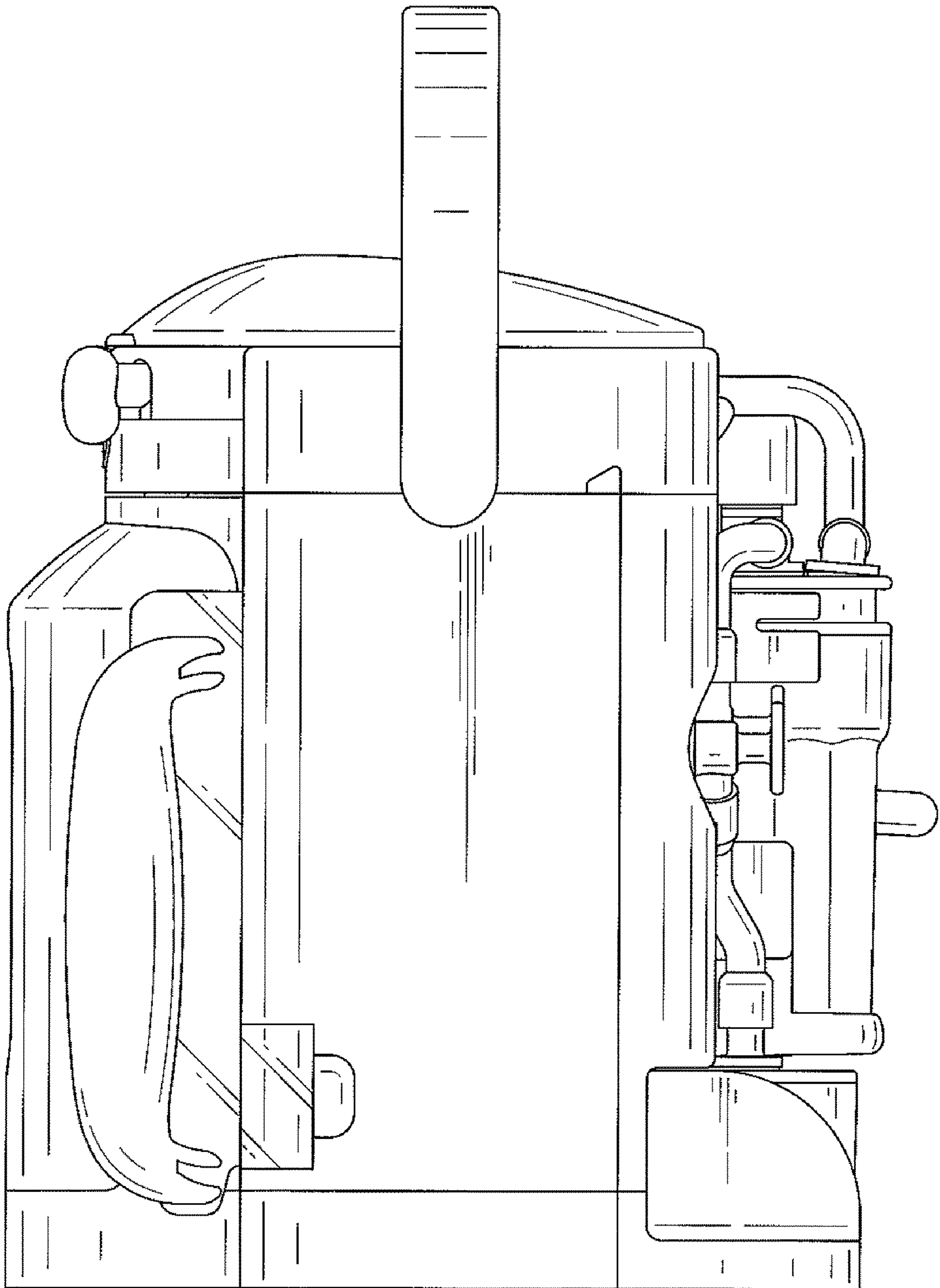


FIG. 8