



US00D625406S

(12) **United States Design Patent**
Seki et al.

(10) **Patent No.:** **US D625,406 S**
(45) **Date of Patent:** **** Oct. 12, 2010**

(54) **ORAL IRRIGATOR**

(75) Inventors: **Mayumi Seki**, Tokyo (JP); **Toshiaki Nakajo**, Narashino (JP)
(73) Assignee: **Panasonic Electric Works Co., Ltd.**, Kadoma-shi (JP)
(**) Term: **14 Years**

(21) Appl. No.: **29/345,928**
(22) Filed: **Oct. 23, 2009**

(30) **Foreign Application Priority Data**
Apr. 24, 2009 (JP) 2009-009609

(51) **LOC (9) Cl.** **24-02**
(52) **U.S. Cl.** **D24/111**
(58) **Field of Classification Search** D24/111,
D24/112, 108, 113, 152, 156, 176; 222/372,
222/384-385; 601/162, 165; 433/80, 82,
433/88, 89, 99
See application file for complete search history.

(56) **References Cited**

U.S. PATENT DOCUMENTS

5,205,744 A * 4/1993 Weissman 433/122
D373,631 S * 9/1996 Maeda et al. D24/111

(Continued)

FOREIGN PATENT DOCUMENTS

JP 9-238961 A 9/1997

OTHER PUBLICATIONS

Panasonic ideas for life USA, "EW176W Oral Care, Portable Oral Irrigator with 90ml Tank" Copyright 2009, 2 pages, [on line], [retrieved on Jun. 23, 2010]. Retrieved from Internet, <URL: <http://www.google.com>>.*

(Continued)

Primary Examiner—Ian Simmons
Assistant Examiner—Wan Laymon
(74) *Attorney, Agent, or Firm*—Marvin A. Motsenbocker;
MOTS LAW, PLLC

(57) **CLAIM**

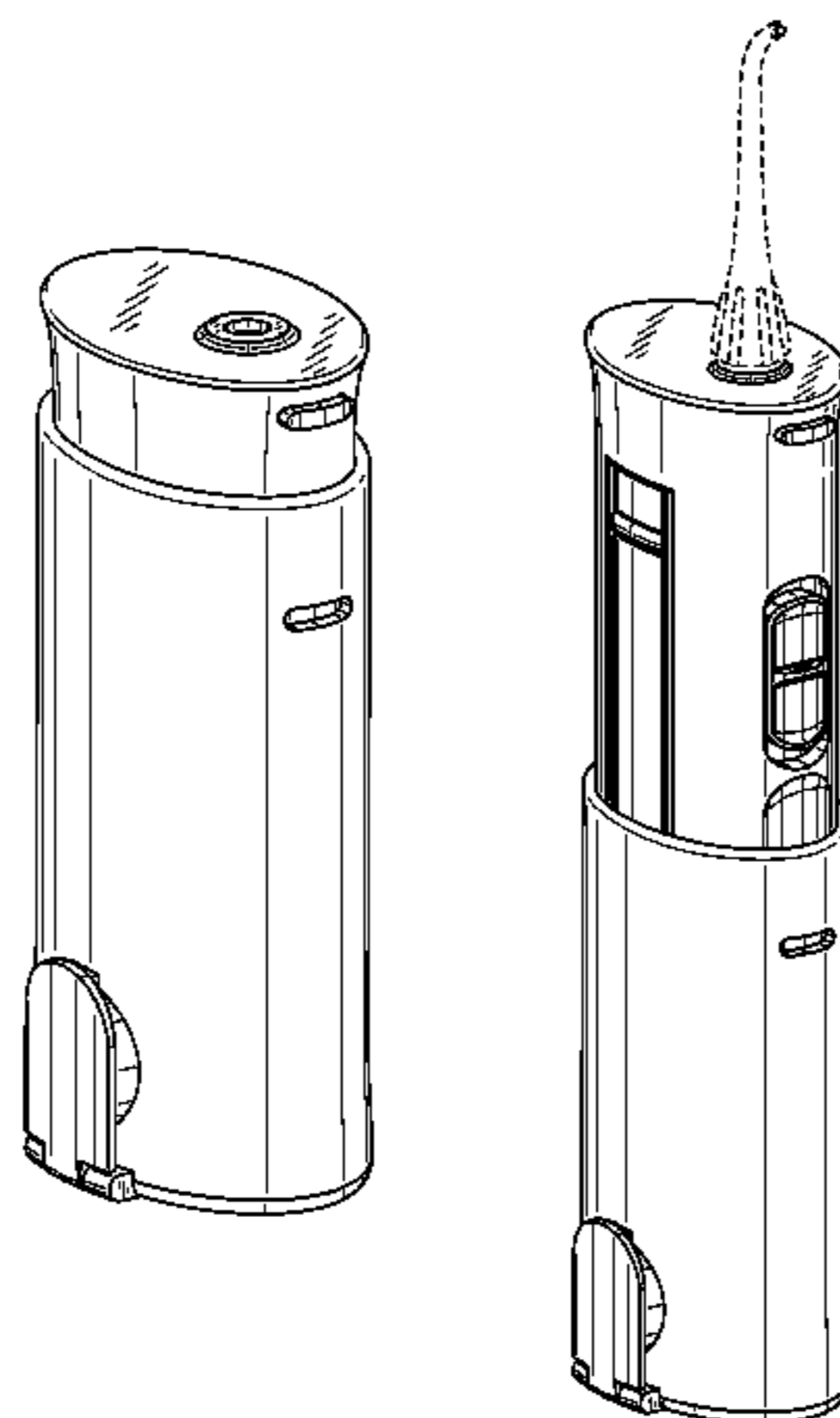
The ornamental design for an oral irrigator, as shown and described.

DESCRIPTION

FIG. 1 is a perspective view of an oral irrigator;
FIG. 2 is a front view thereof;
FIG. 3 is a right side view thereof;
FIG. 4 is a left side view thereof;
FIG. 5 is an enlarged top plan view thereof;
FIG. 6 is an enlarged bottom plan view thereof;
FIG. 7 is a rear view thereof;
FIG. 8 is an 8—8 cross-sectional view showing an outline thereof without internal structure;
FIG. 9 is a left side view showing an opened state of a tank lid thereof;
FIG. 10 is a perspective view showing an extended state of a tank unit thereof;
FIG. 11 is a front view showing an extended state of the tank unit thereof;
FIG. 12 is a right side view showing an extended state of the tank unit thereof;
FIG. 13 is a left side view showing an extended state of the tank unit thereof;
FIG. 14 is an enlarged top plan view showing an extended state of the tank unit thereof;
FIG. 15 is an enlarged bottom plan view showing an extended state of the tank unit thereof;
FIG. 16 is a rear view showing an extended state of the tank unit thereof;
FIG. 17 is a 17—17 cross-sectional view showing an outline thereof without internal structure; and
FIG. 18 is a reference perspective view showing an extended state of the tank unit with a nozzle.

The broken line showing the nozzle of the oral irrigator is included for the purpose of illustrating environmental structure and forms no part of the claimed design.

1 Claim, 18 Drawing Sheets



US D625,406 S

Page 2

U.S. PATENT DOCUMENTS

5,634,791 A * 6/1997 Matsuura et al. 433/88
D413,975 S * 9/1999 Maeda D24/111
6,164,967 A * 12/2000 Sale et al. 433/80
7,080,980 B2 * 7/2006 Klupt 433/80
7,670,141 B2 * 3/2010 Thomas et al. 433/80

OTHER PUBLICATIONS

Panasonic ideas for life USA, "EW-DJ10-A, Oral Care, Portable Oral Irrigator" Copyright 2009, 2 pages, [on line], [retrieved on Jun. 23, 2010]. Retrieved from Internet, <URL: <http://www.google.com>>.*

* cited by examiner

Fig. 1

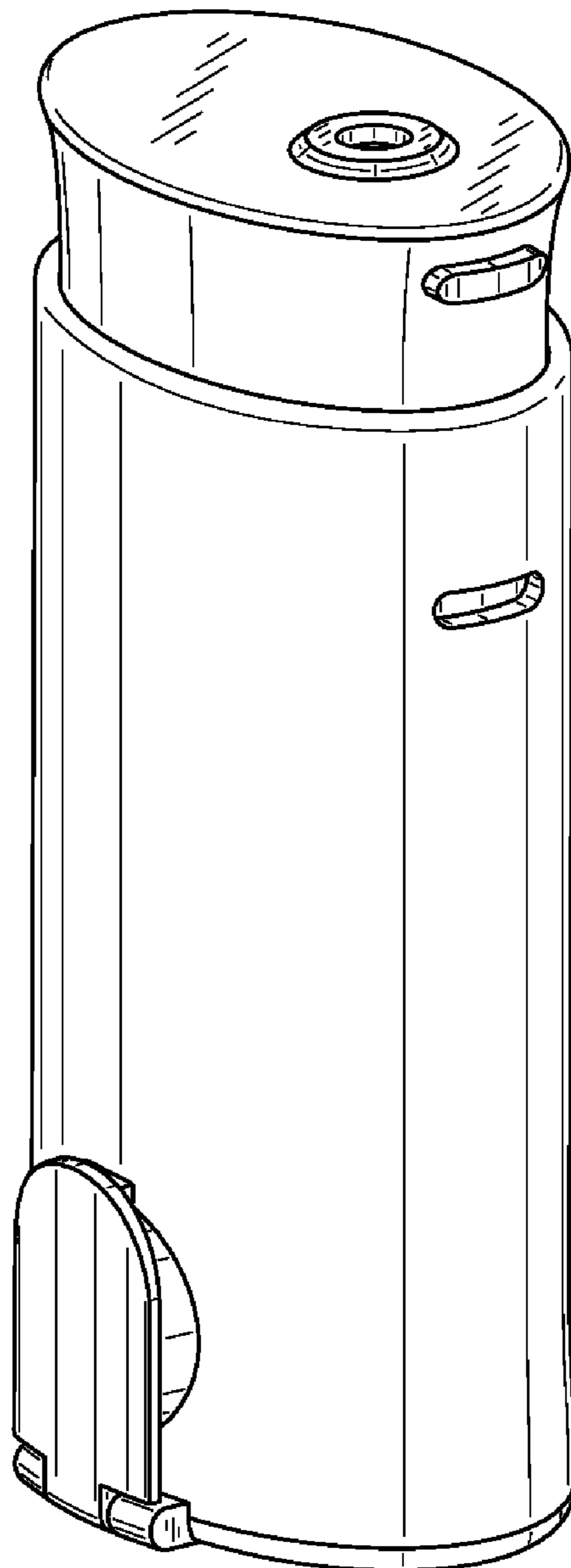


Fig.2

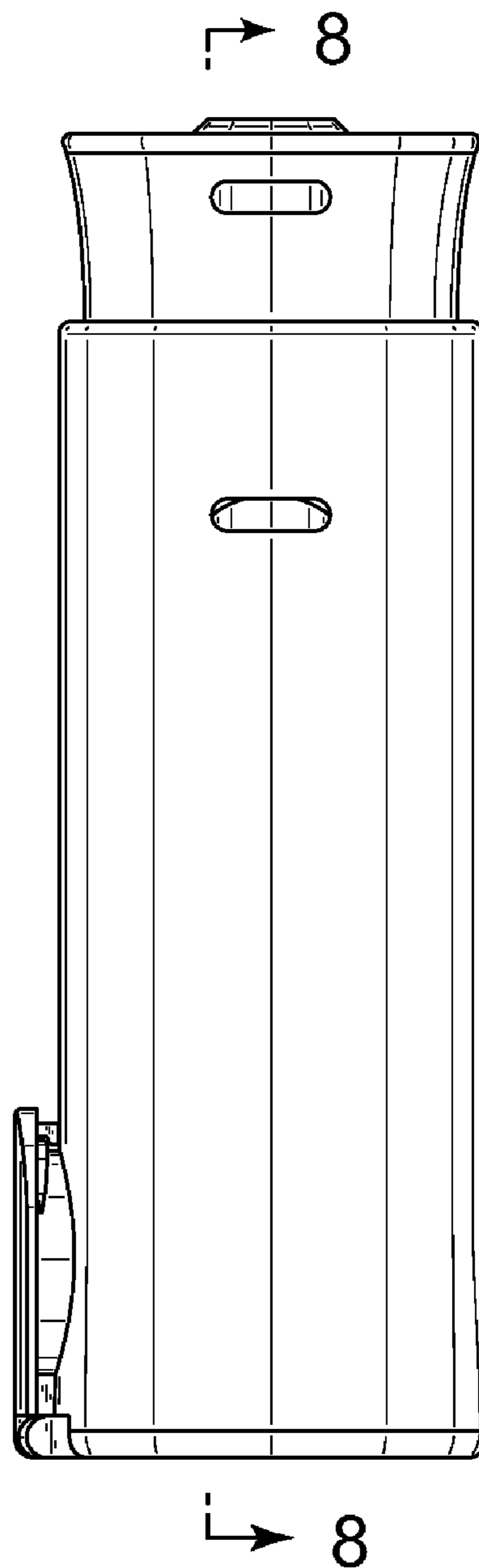


Fig.3

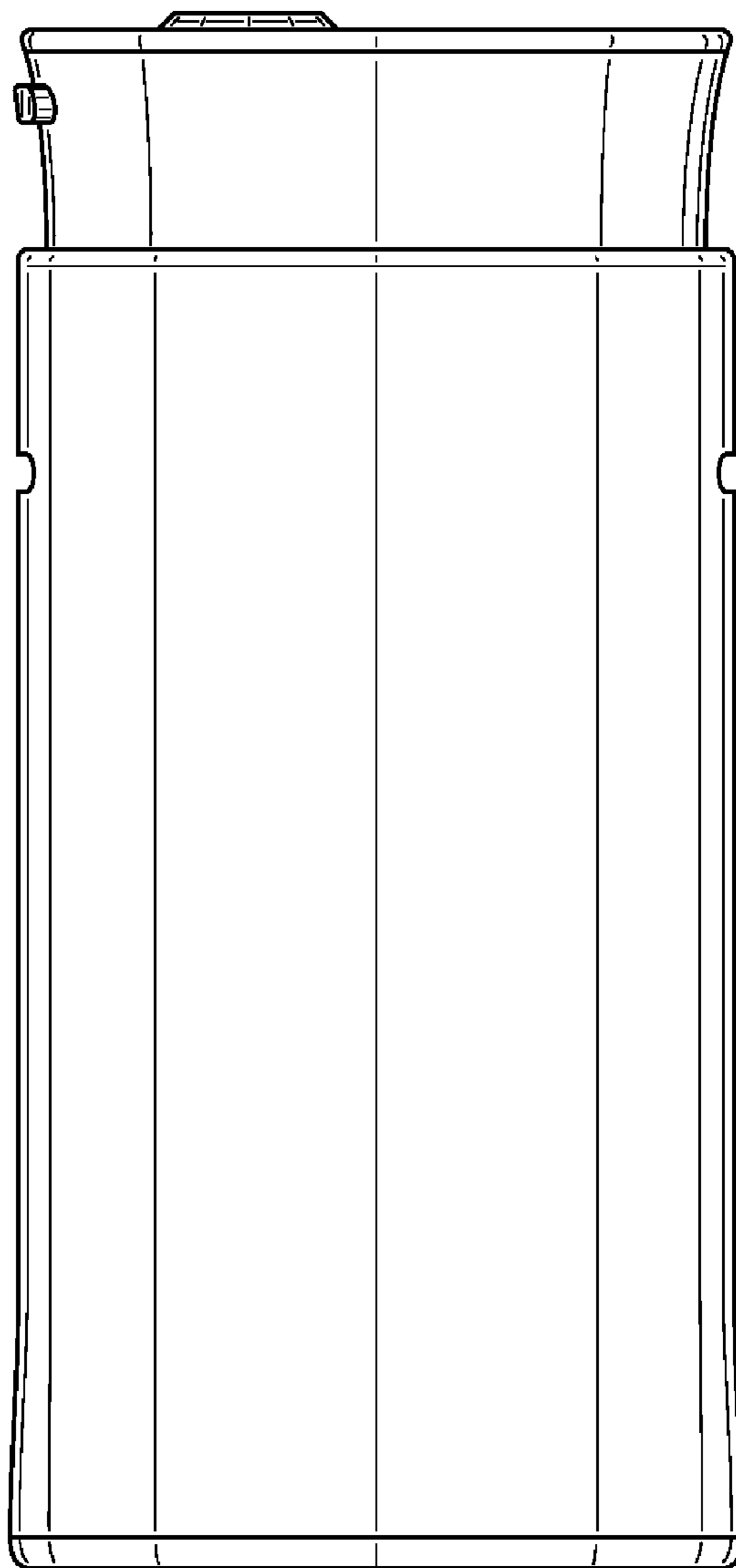


Fig.4

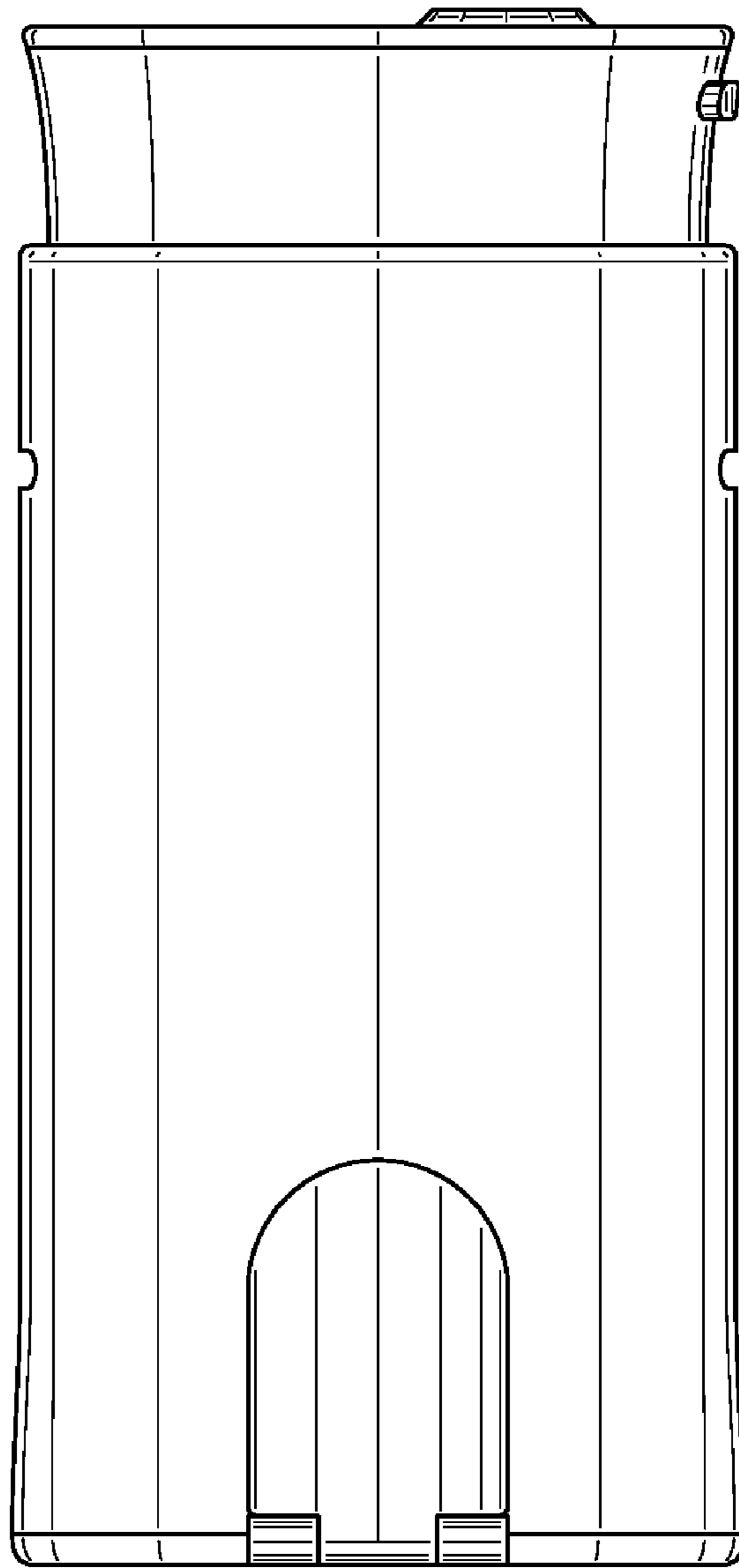


Fig.5

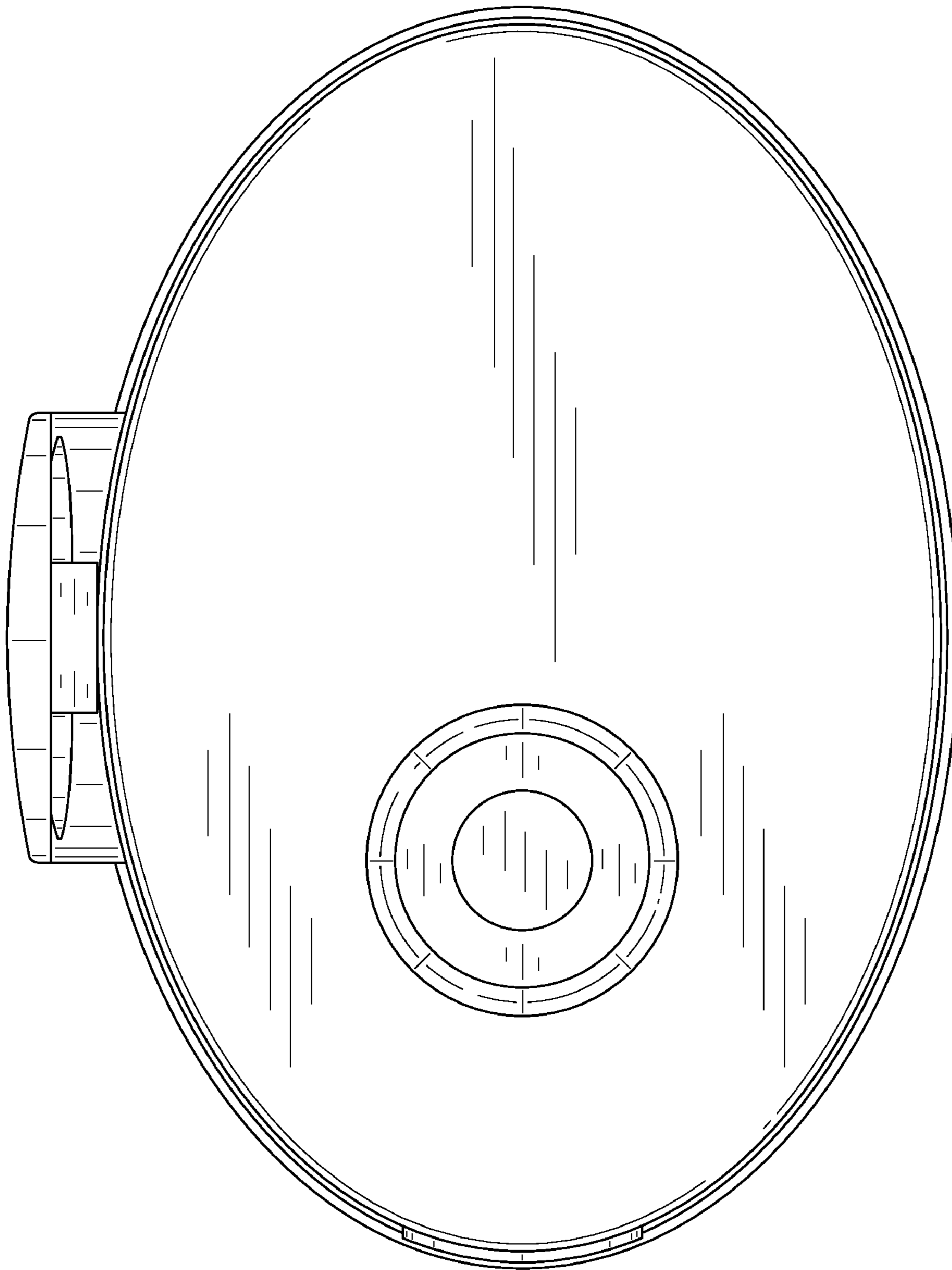


Fig.6

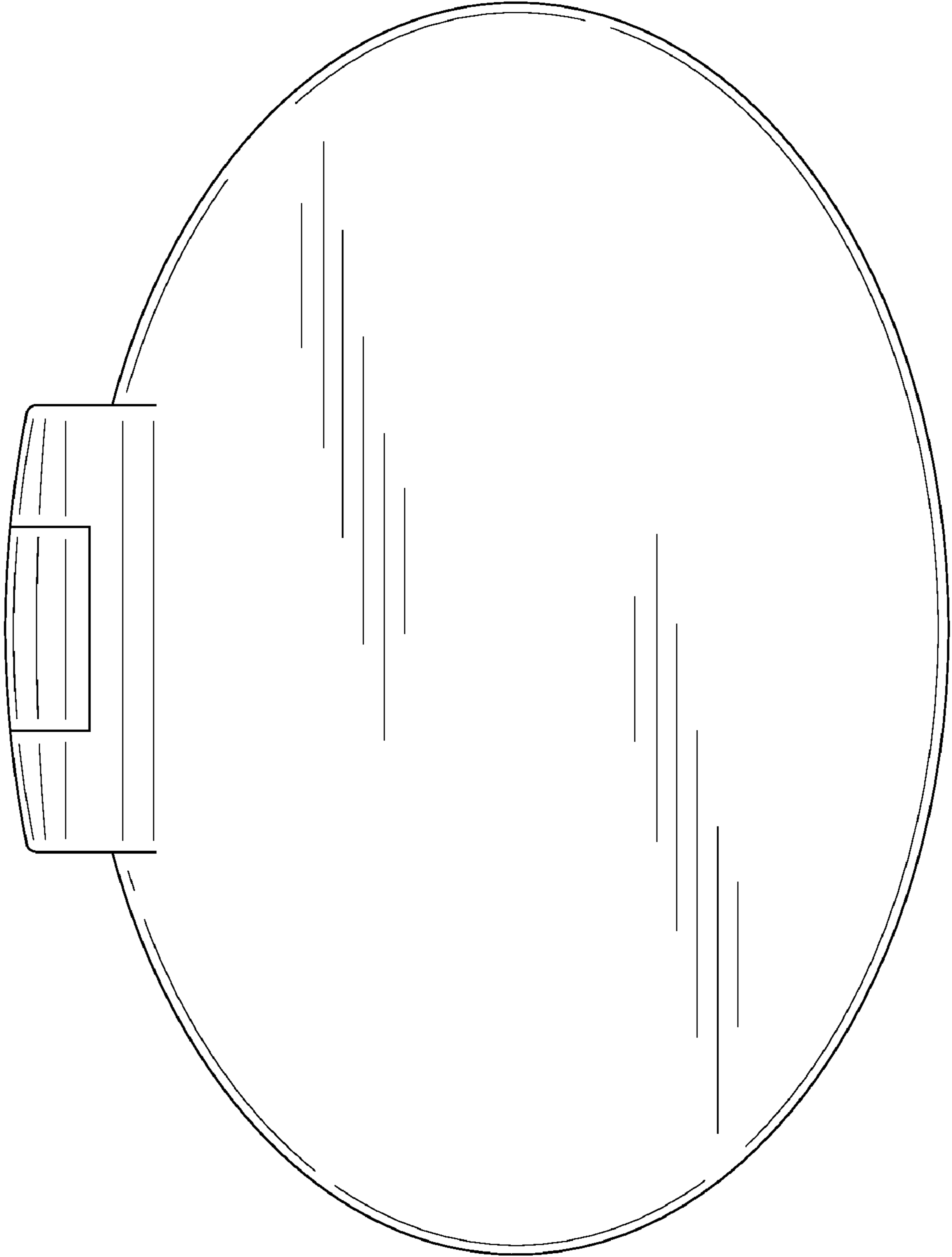


Fig. 7

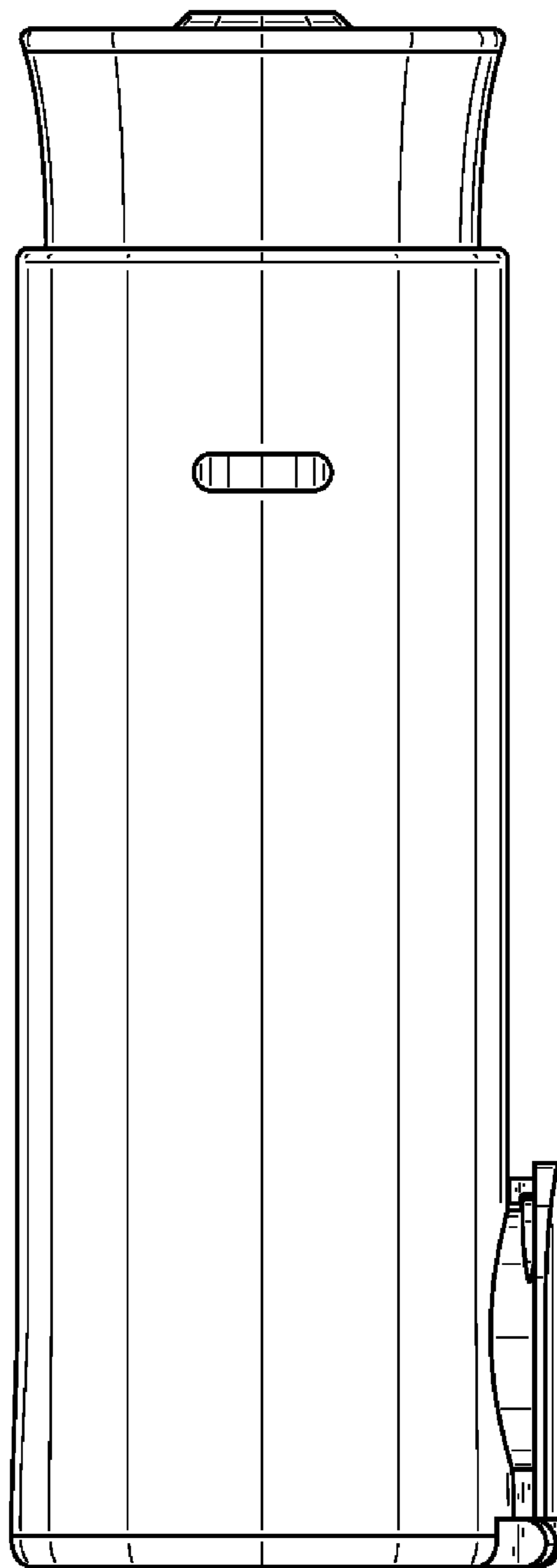


Fig.8

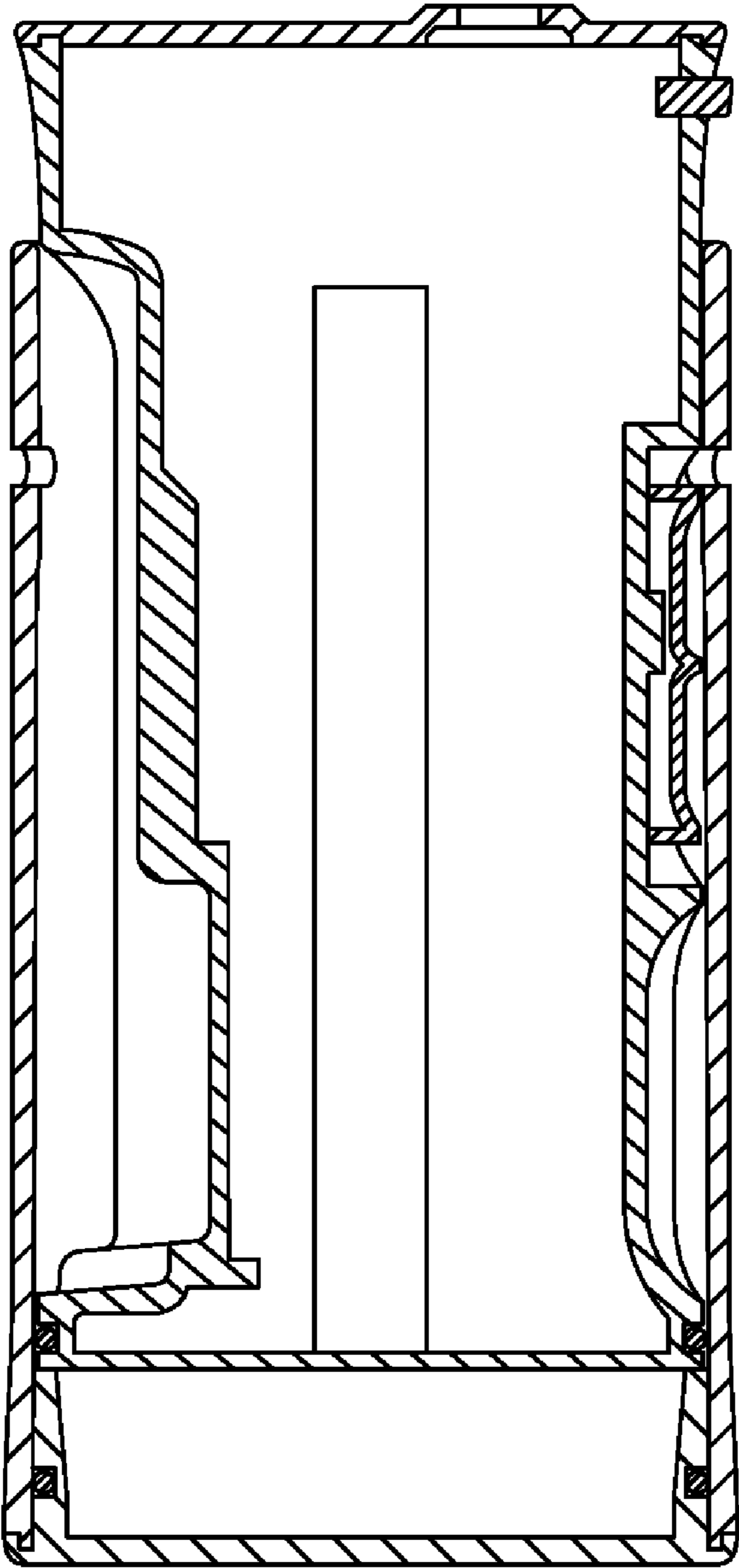


Fig.9

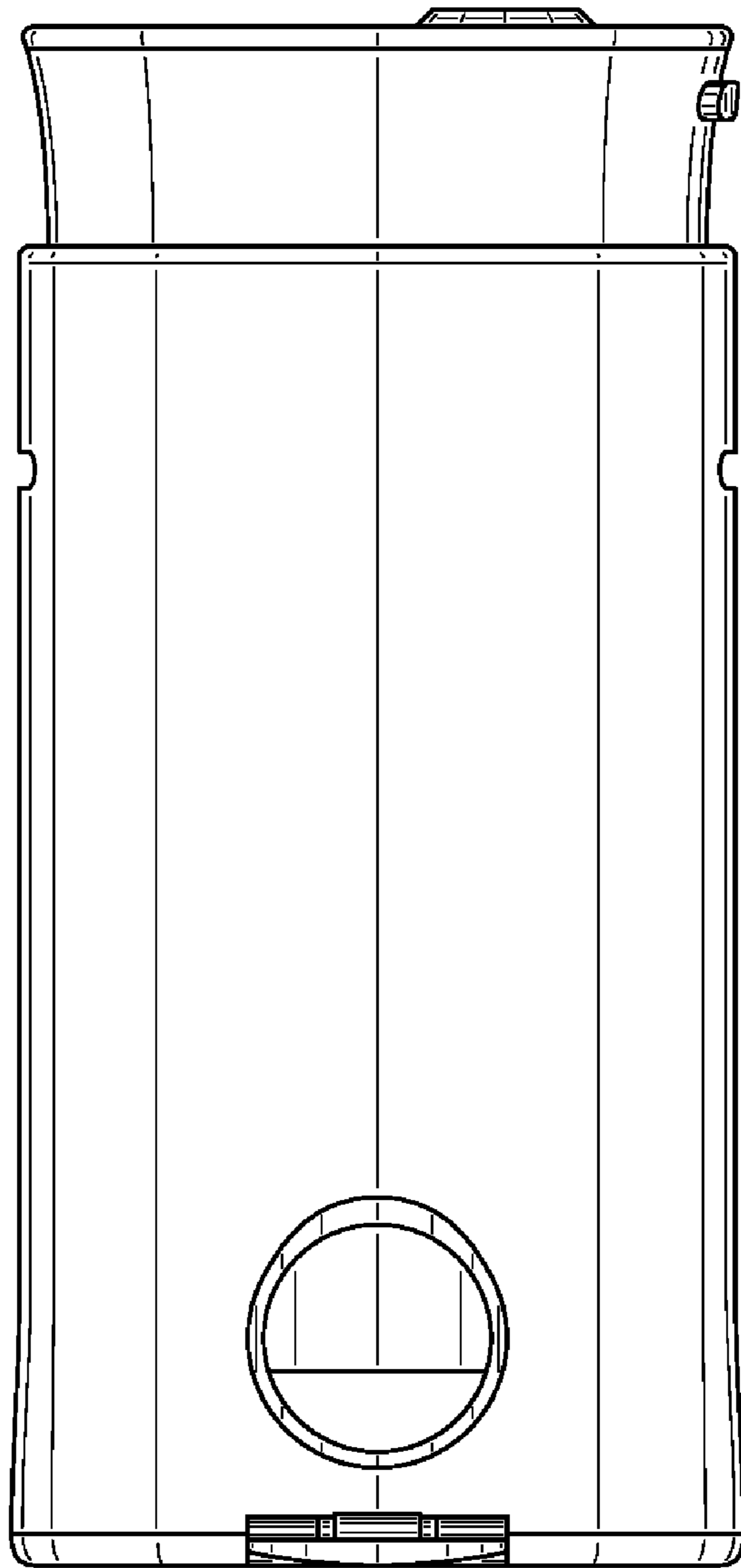


Fig.10

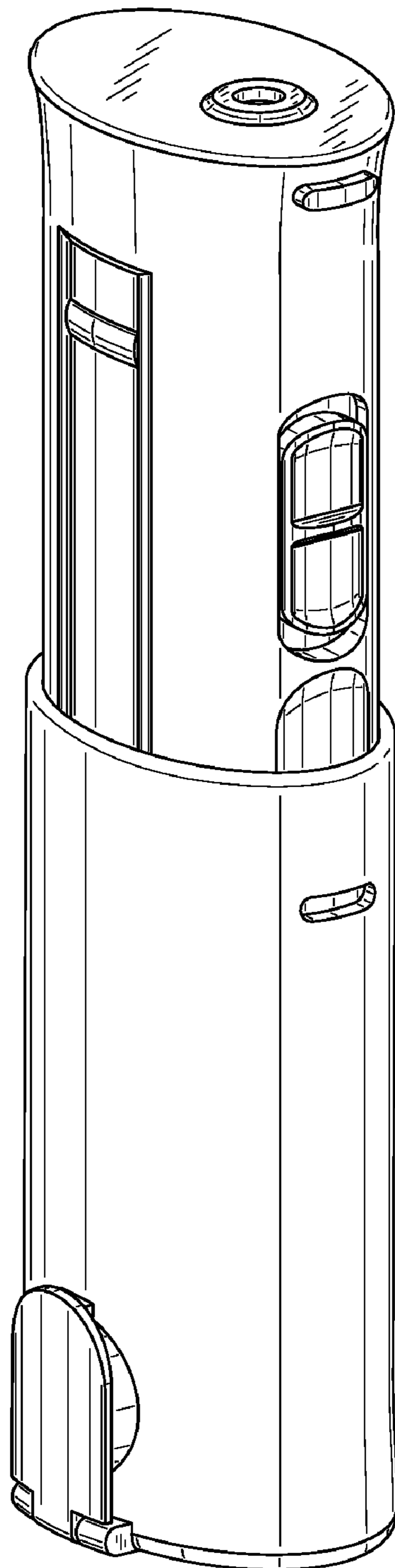


Fig. 11

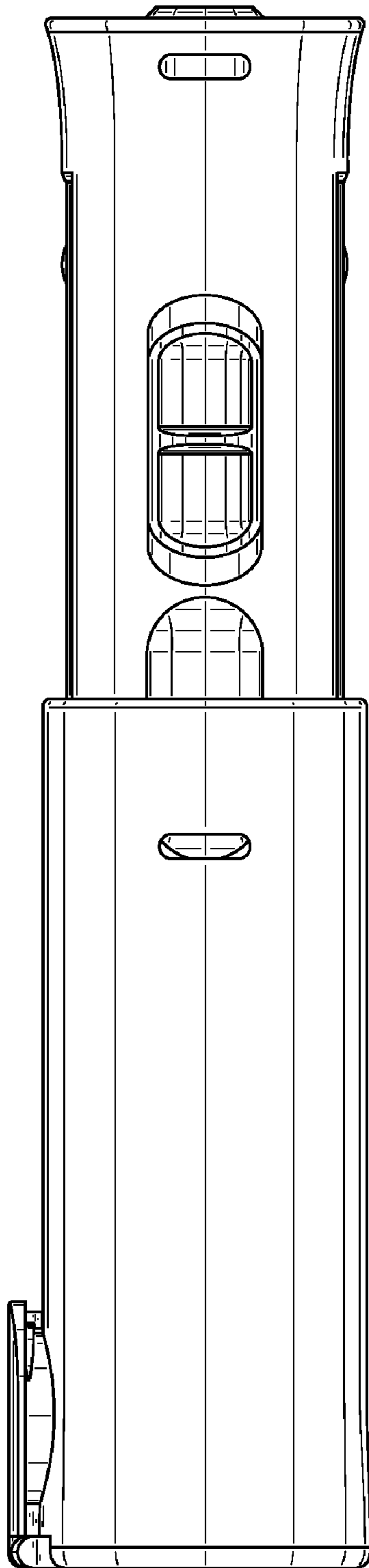


Fig.12

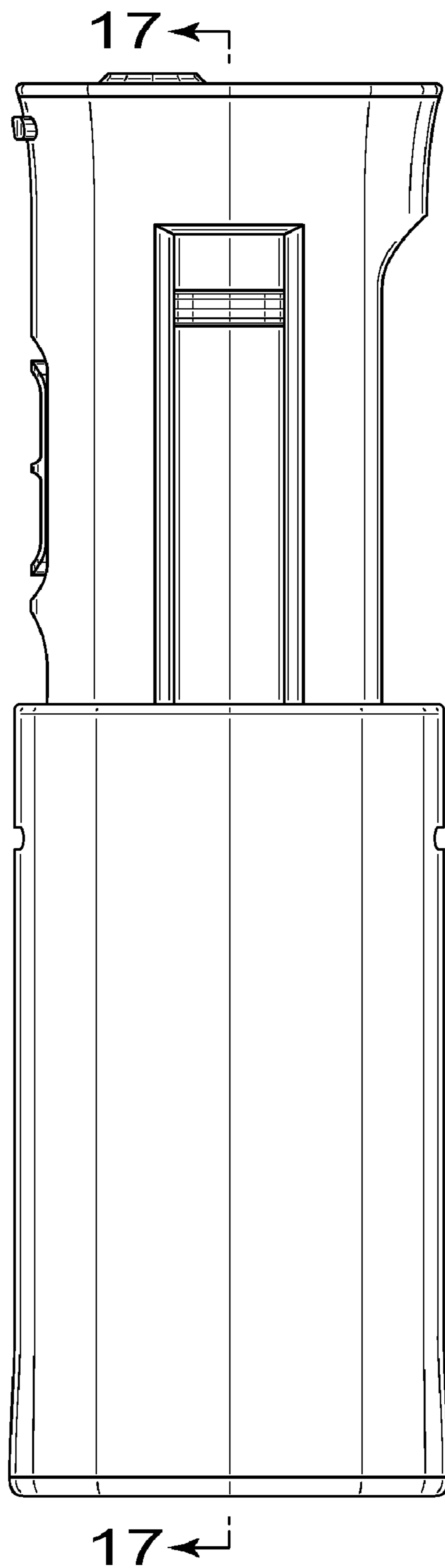


Fig.13

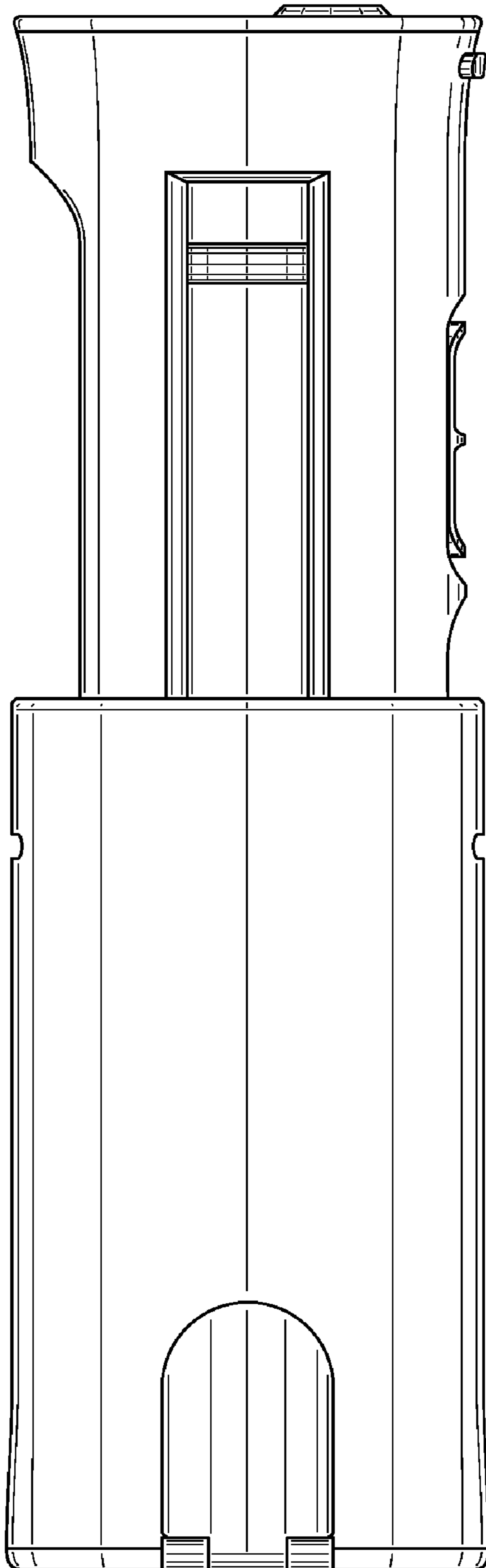


Fig.14

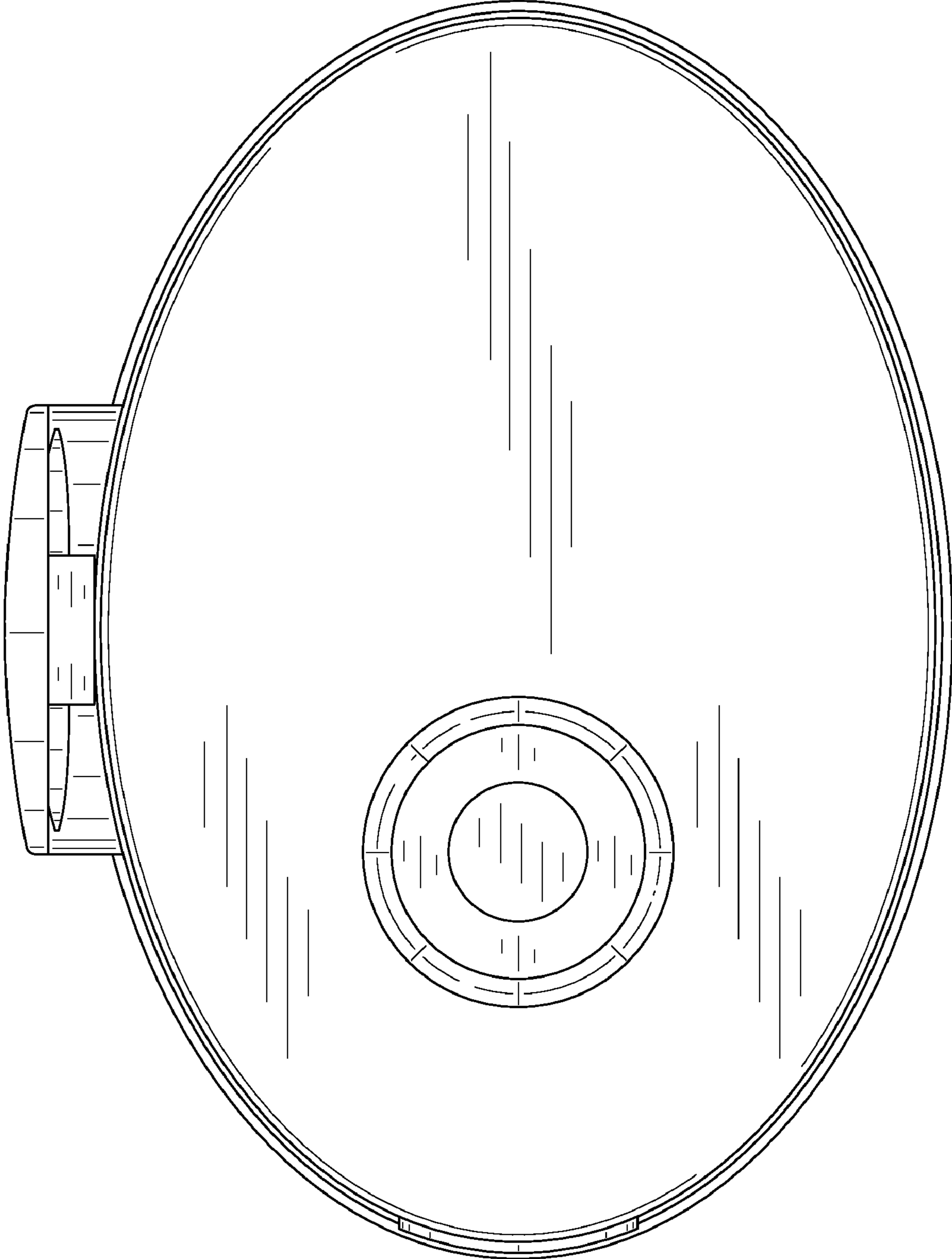


Fig.15

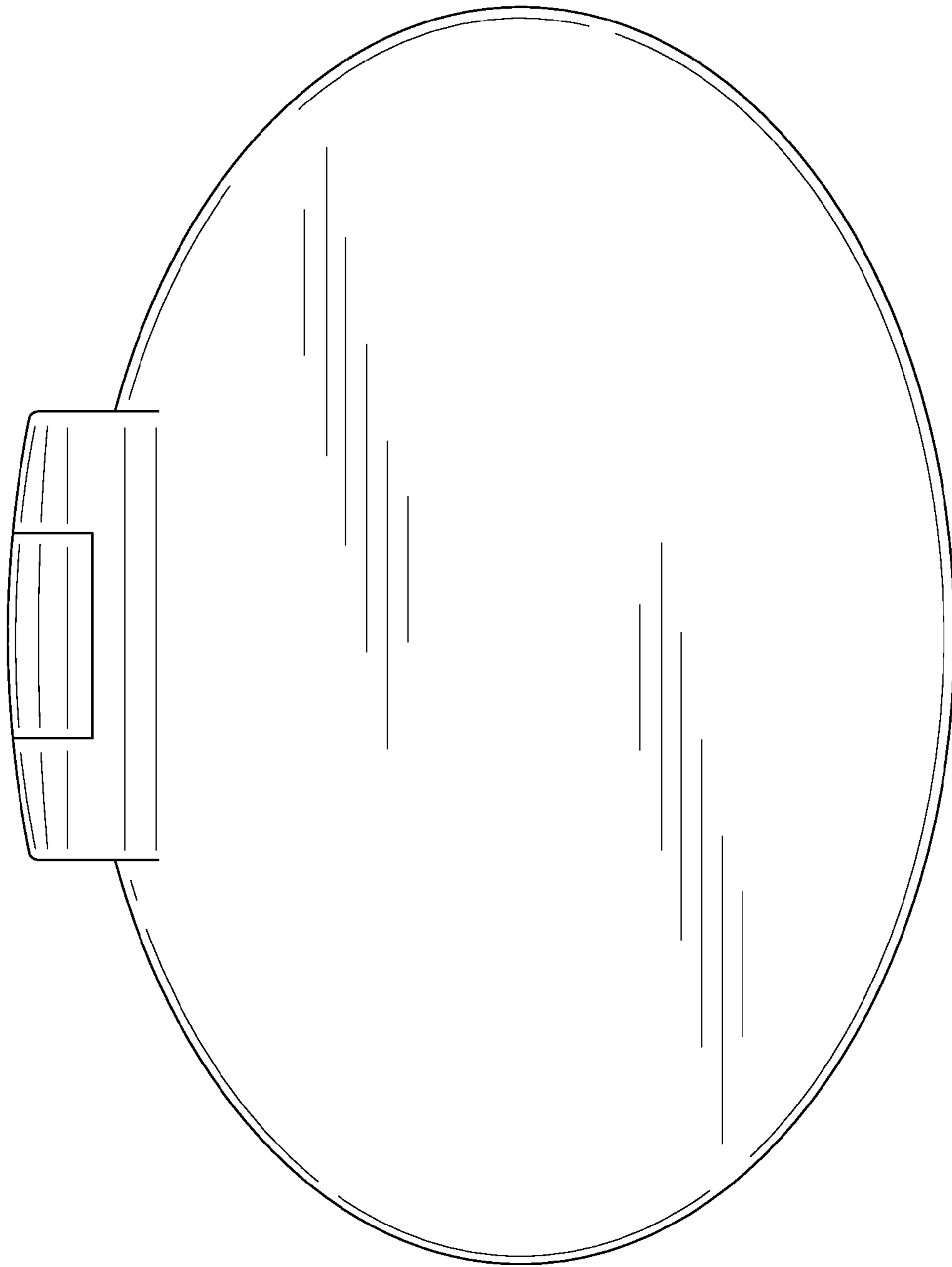


Fig.16

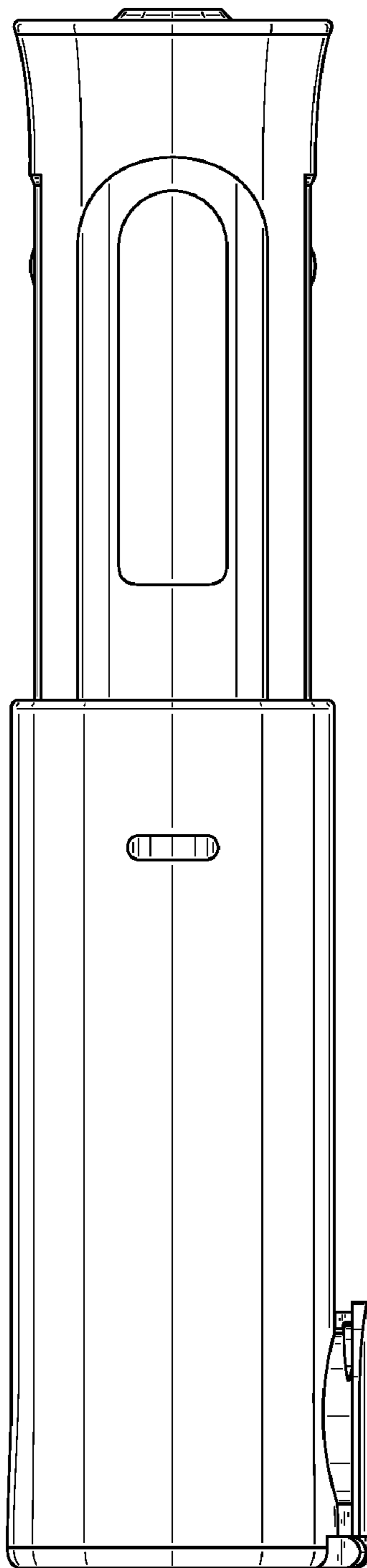


Fig.17

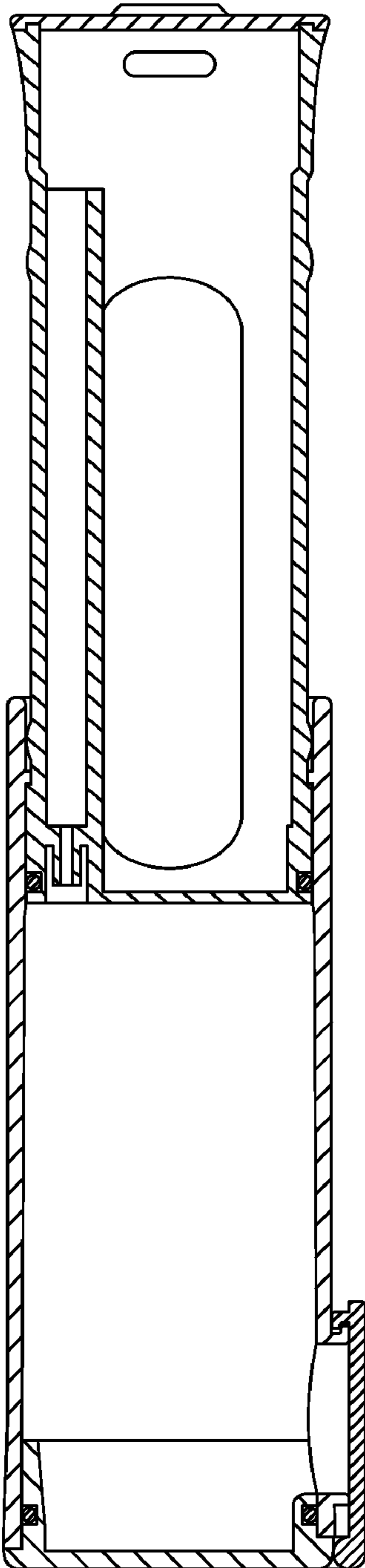


Fig. 18

