



US00D625405S

(12) **United States Design Patent**
Nashed

(10) **Patent No.:** **US D625,405 S**

(45) **Date of Patent:** **** Oct. 12, 2010**

(54) **DISPOSABLE ANESTHESIA FACE MASK**

(76) Inventor: **Ramses Nashed**, 505 First Ave. South,
Tierra Verde, FL (US) 33715

(**) Term: **14 Years**

(21) Appl. No.: **29/315,733**

(22) Filed: **Jul. 20, 2009**

Related U.S. Application Data

(60) Division of application No. 29/292,759, filed on Oct. 29, 2007, now Pat. No. Des. 598,537, which is a continuation of application No. 11/809,435, filed on Jun. 1, 2007.

(51) **LOC (9) Cl.** **29-02**

(52) **U.S. Cl.** **D24/110.1; D24/110.4**

(58) **Field of Classification Search** D24/110.1,
D24/110.4, 110.5; 128/206.24, 206.28, 206.12,
128/207.13, 205.25

See application file for complete search history.

(56) **References Cited**

U.S. PATENT DOCUMENTS

| | | | | |
|---------------|--------|------------------|-------|------------|
| D285,496 S * | 9/1986 | Berman | | D24/110.4 |
| D293,613 S * | 1/1988 | Wingler | | D24/110.1 |
| D300,473 S * | 3/1989 | Roush | | D24/110.4 |
| D323,908 S * | 2/1992 | Hollister et al. | | D24/110.4 |
| D347,495 S * | 5/1994 | Baldwin | | D24/110.1 |
| 5,540,223 A * | 7/1996 | Starr et al. | | 128/205.25 |

| | | | | |
|-------------------|---------|-----------------|-------|------------|
| D388,873 S * | 1/1998 | Richards et al. | | D24/110.4 |
| 5,738,094 A * | 4/1998 | Hoftman | | 128/206.26 |
| D397,215 S * | 8/1998 | Hoftman | | D24/110.4 |
| D411,297 S * | 6/1999 | Rosiello et al. | | D24/110.4 |
| 2006/0185675 A1 * | 8/2006 | Colin | | 128/206.24 |
| 2007/0295335 A1 * | 12/2007 | Nashed | | 128/206.24 |

* cited by examiner

Primary Examiner—Ian Simmons

Assistant Examiner—Christopher Lee

(57) **CLAIM**

The ornamental design for the disposable anesthesia face mask, as shown and described.

DESCRIPTION

FIG. 1 is a front elevational view of the disposable anesthesia face mask showing my new design;

FIG. 2 is a rear elevational view thereof;

FIG. 3 is a top plan view thereof;

FIG. 4 is a bottom plan view thereof;

FIG. 5 is a right side elevational view thereof;

FIG. 6 is a left side elevational view thereof; and,

FIG. 7 is a right side elevational view thereof showing my new design in use.

The broken lines showing in FIGS. 1-6 and the broken line representation of a person's face in FIG. 7 form no part of the claimed design.

1 Claim, 4 Drawing Sheets

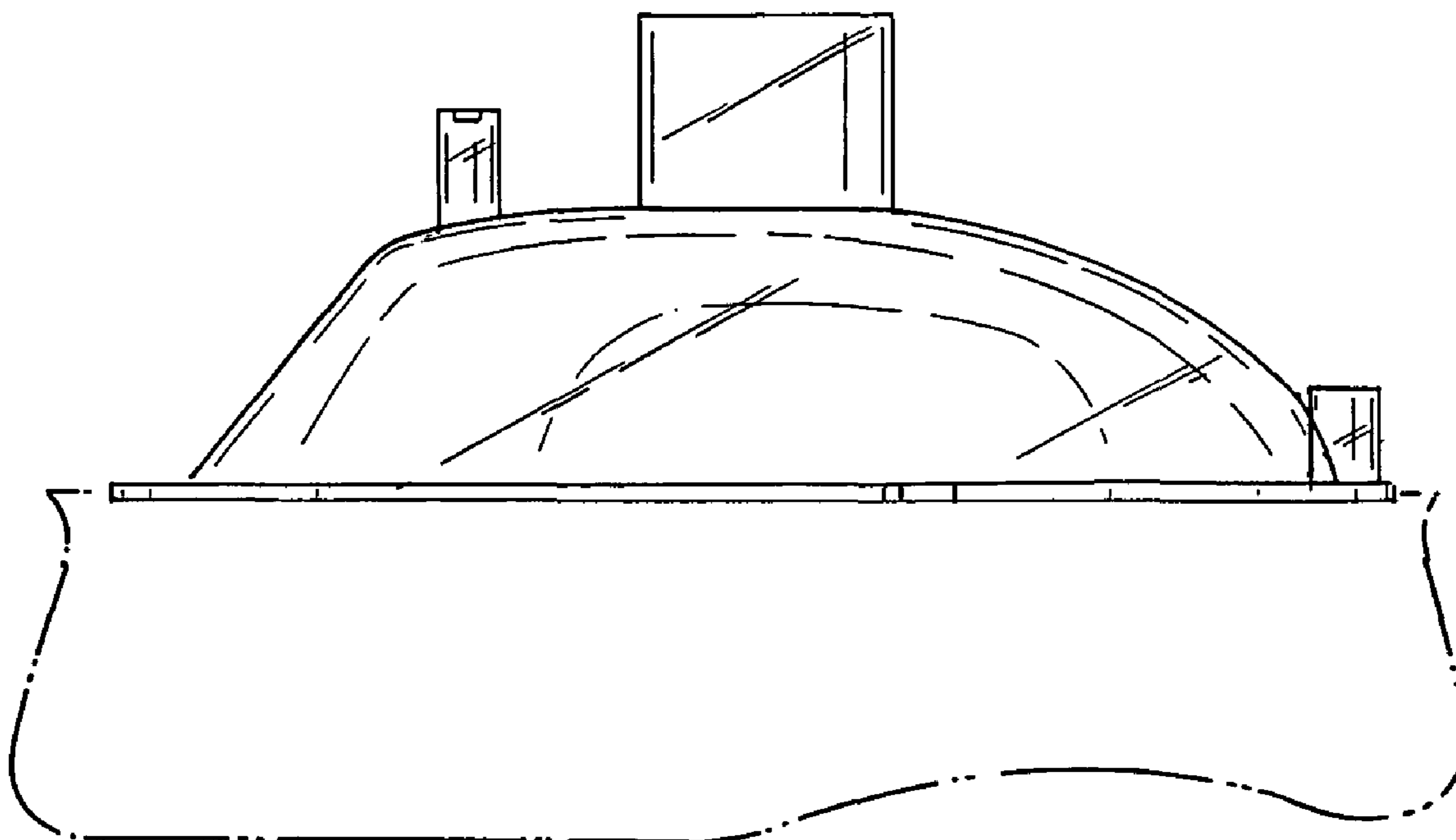


FIG. 1

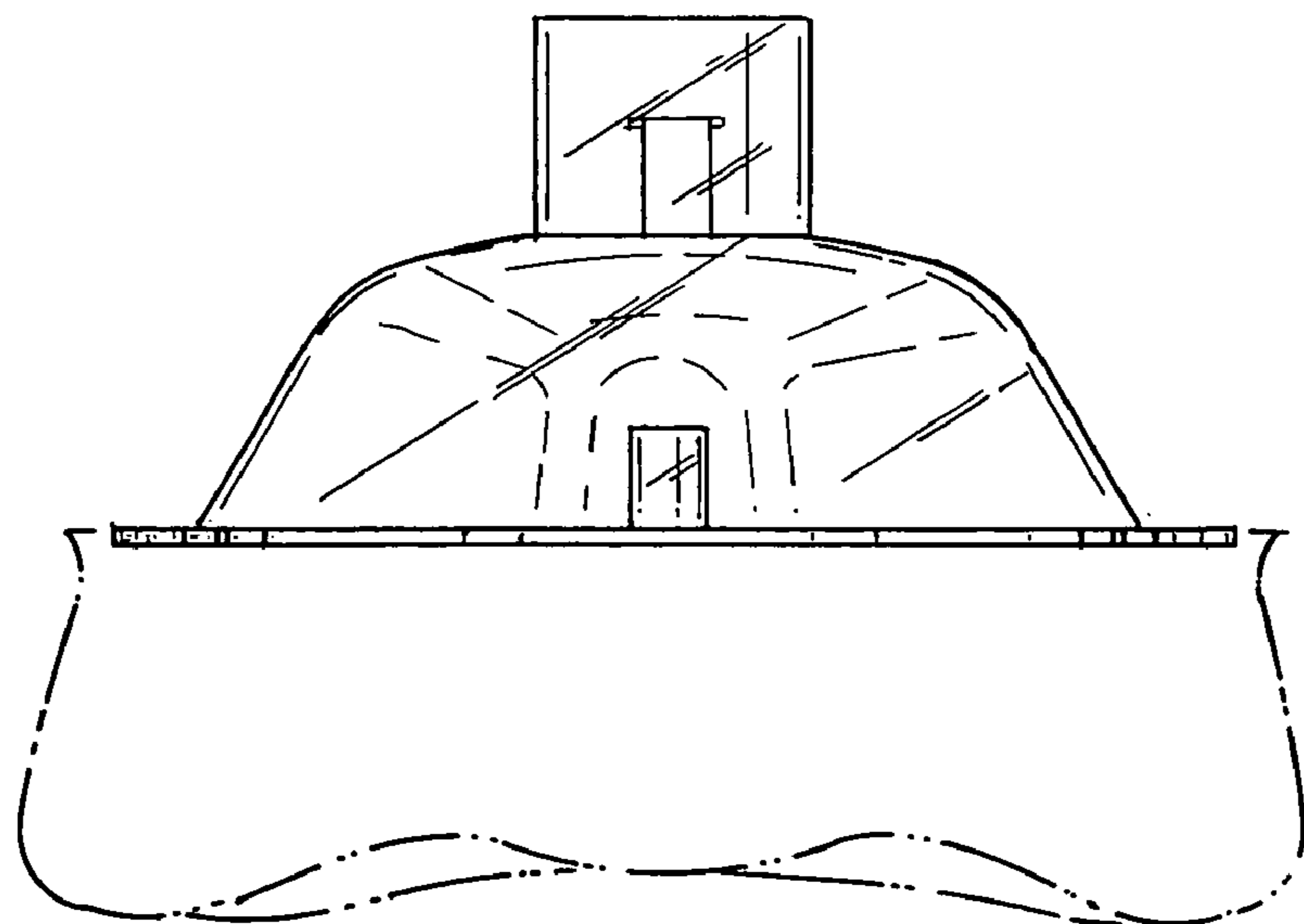
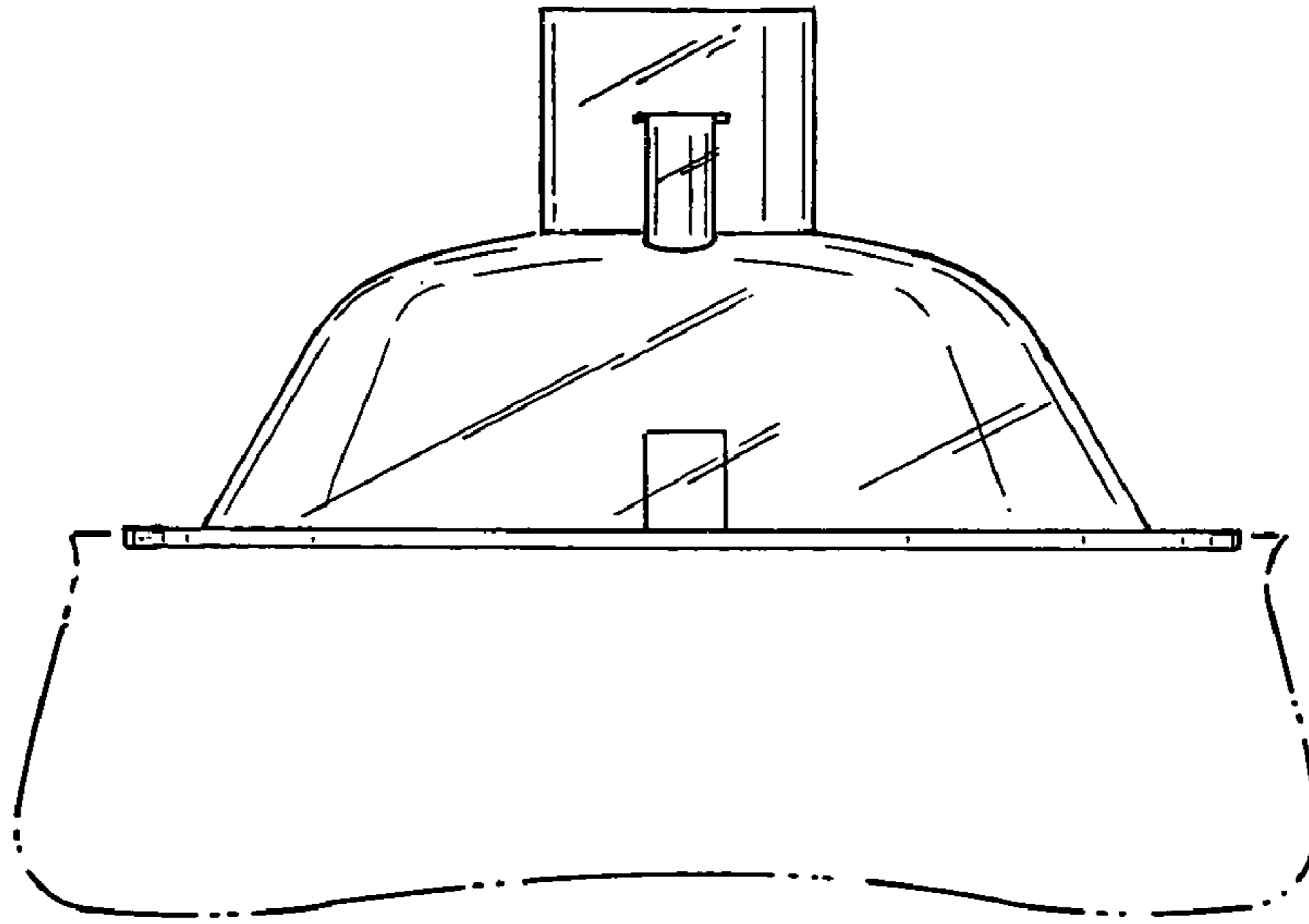


FIG. 2

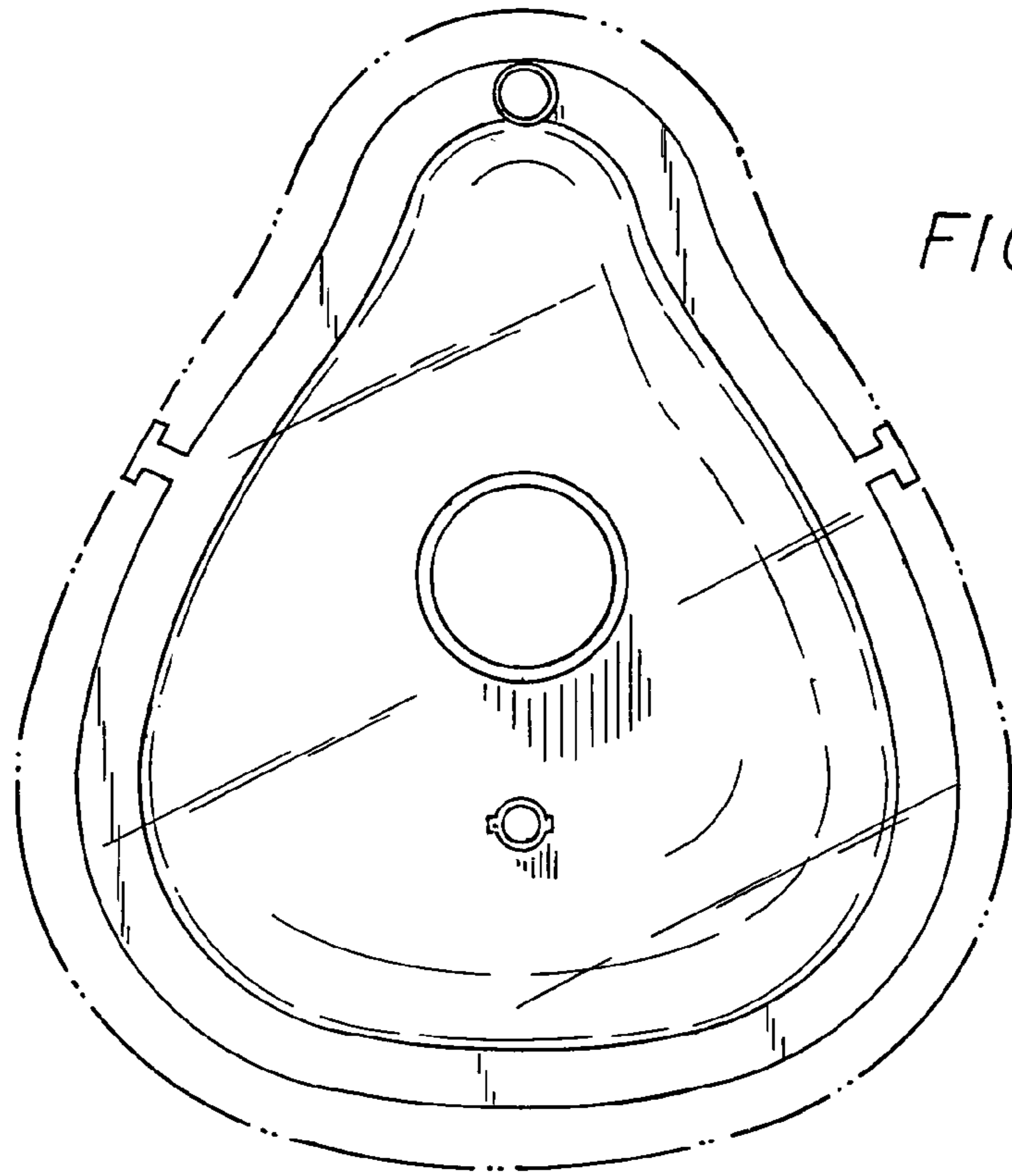


FIG. 3

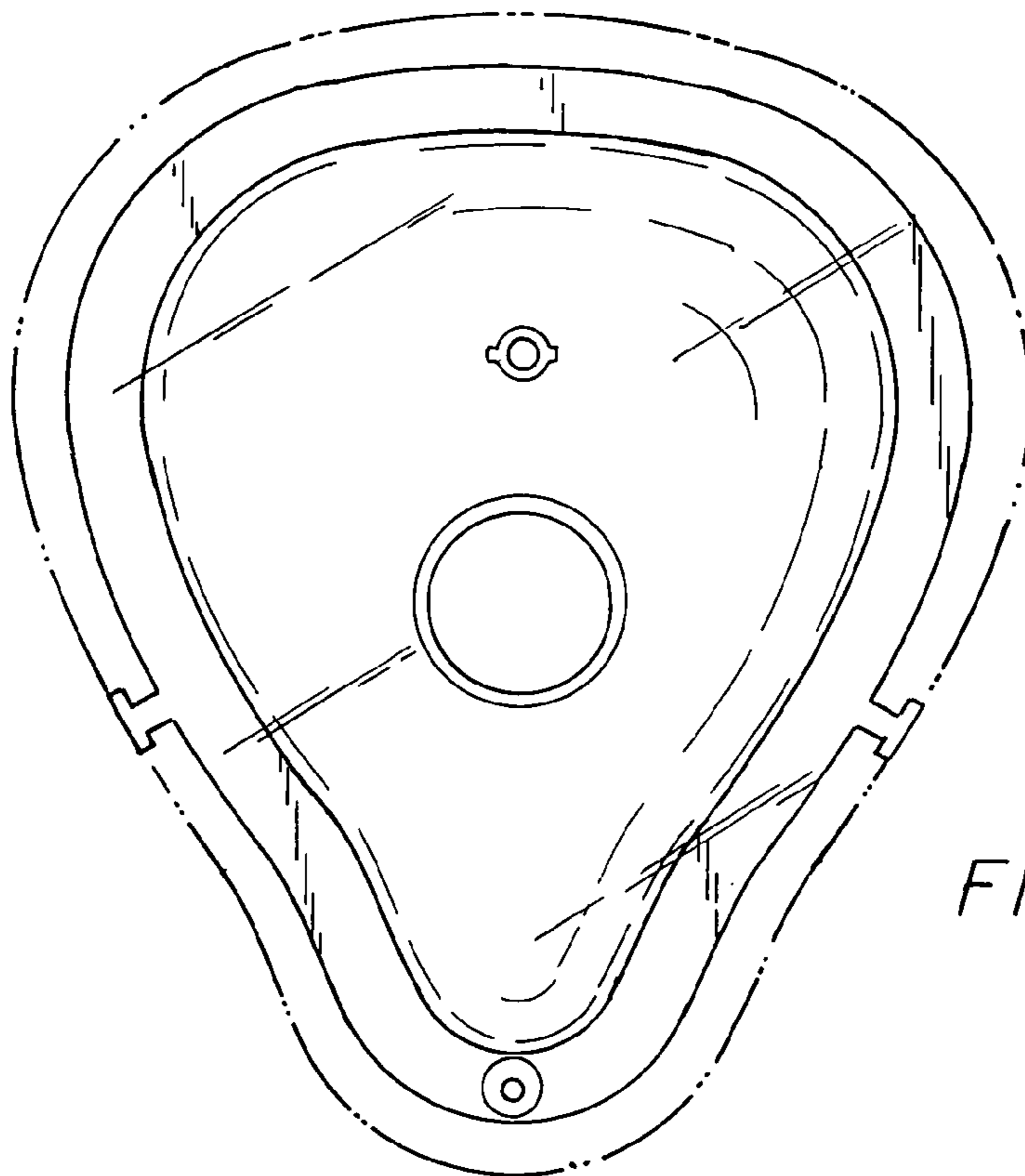


FIG. 4

FIG. 5

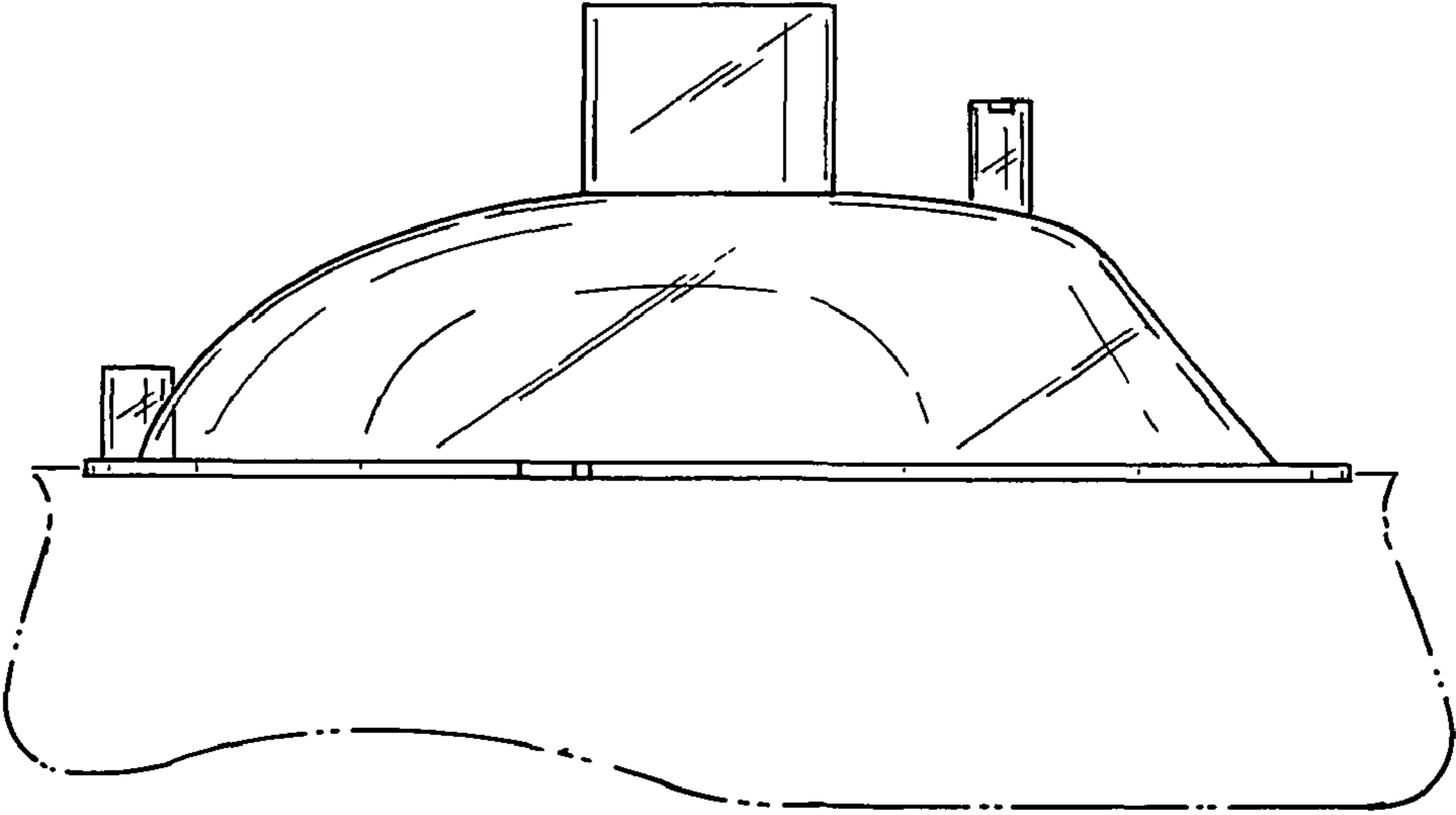
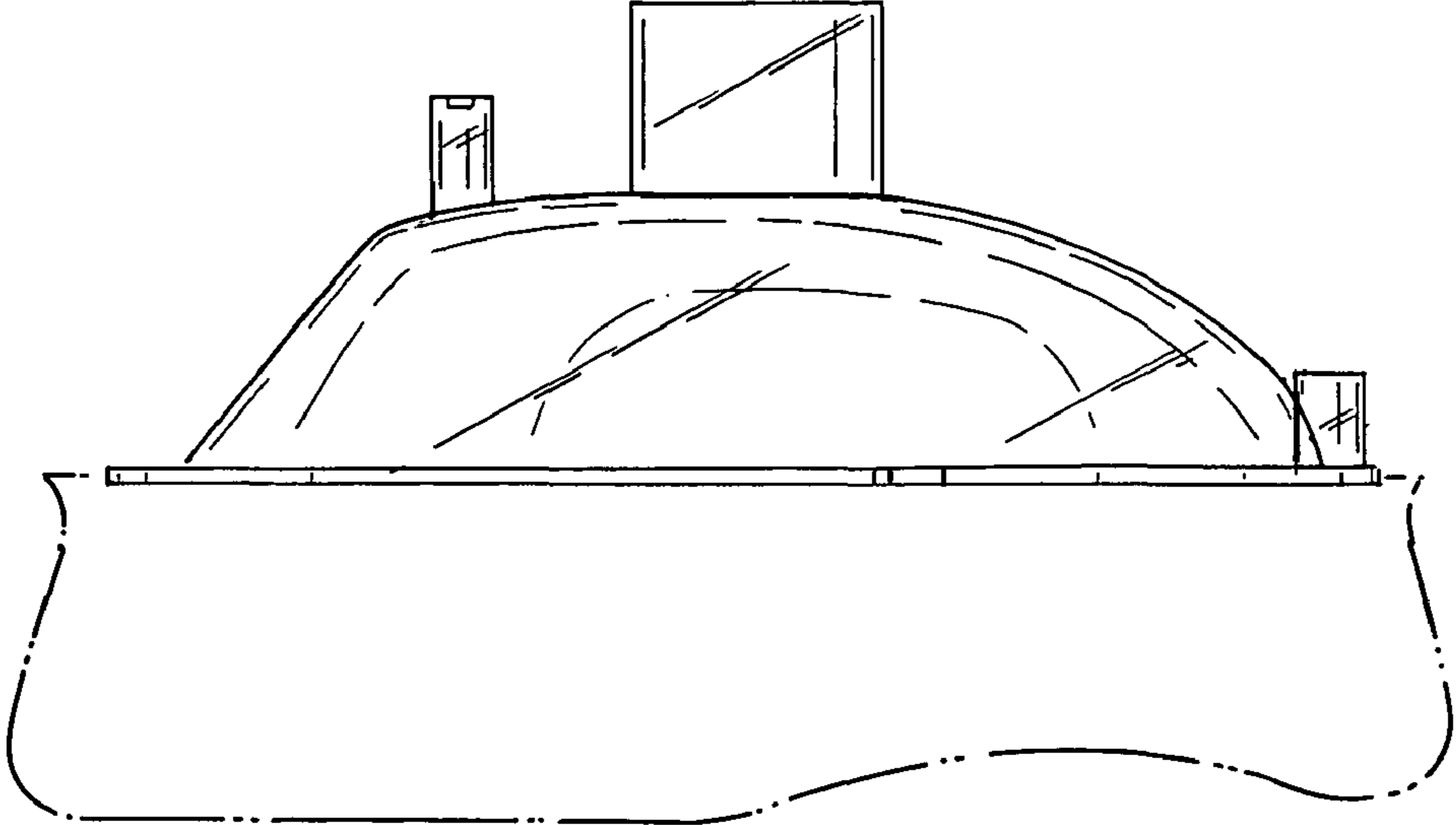


FIG. 6

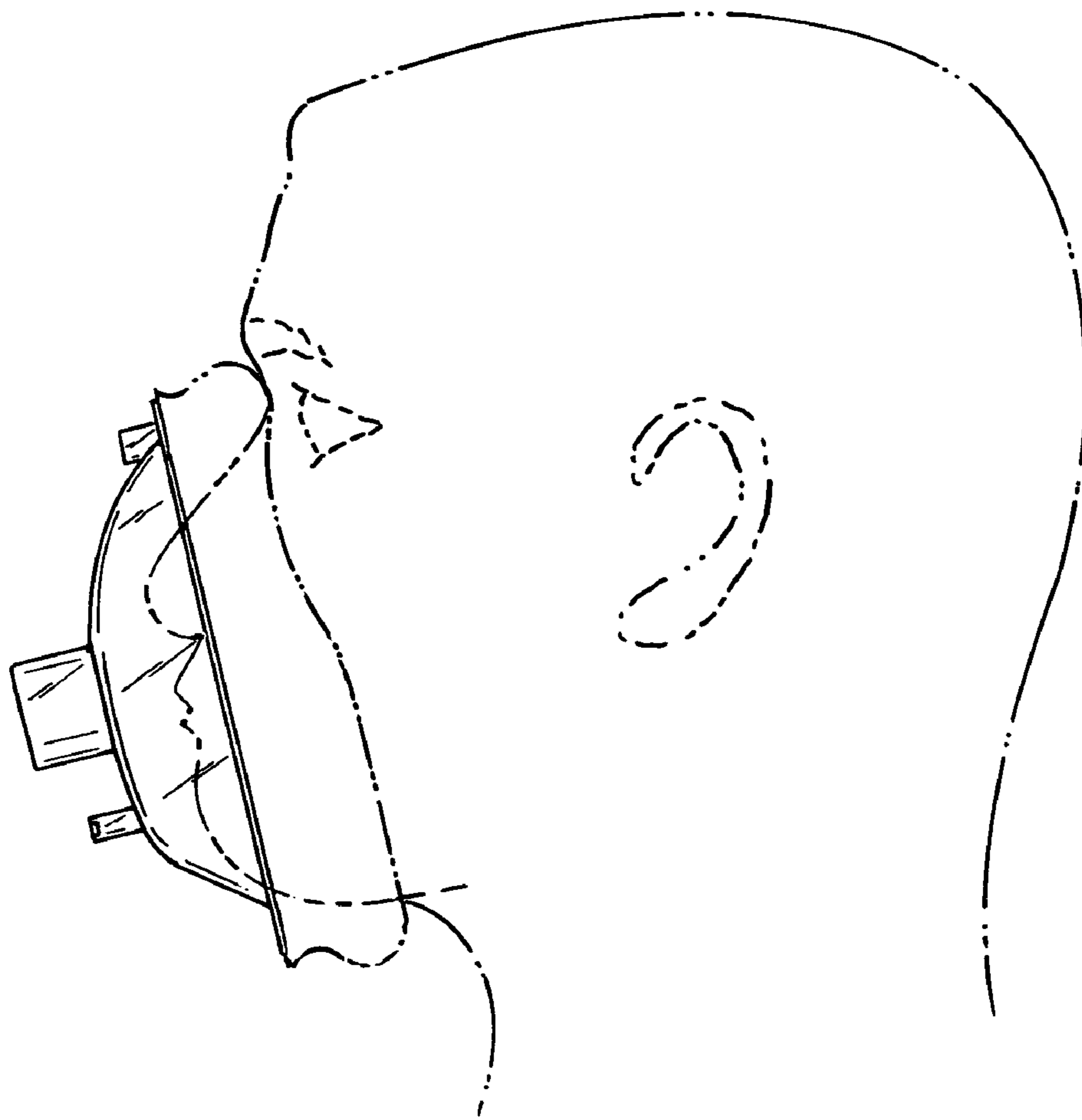


FIG 7