



US00D625403S

(12) **United States Design Patent**
Liu

(10) **Patent No.:** **US D625,403 S**
(45) **Date of Patent:** **** Oct. 12, 2010**

(54) **CEILING FAN**

Primary Examiner—Lisa P Lichtenstein

(76) Inventor: **Ching-Wen Liu**, No. 346, Shui Yuan Rd., Feng Yuan, Taichung Hsien (TW) 42074

(57) **CLAIM**

The ornamental design for a ceiling fan, as shown and described.

(**) Term: **14 Years**

(21) Appl. No.: **29/350,888**

DESCRIPTION

(22) Filed: **Nov. 25, 2009**

FIG. 1 is a perspective view of a ceiling fan showing my new design;

(51) **LOC (9) Cl.** **23-04**

FIG. 2 is a front elevational view thereof;

(52) **U.S. Cl.** **D23/377**

FIG. 3 is a rear elevational view thereof;

(58) **Field of Classification Search** D23/377,

FIG. 4 is a left side view thereof;

D23/379, 385, 411, 413; 416/5

FIG. 5 is a right side view thereof;

See application file for complete search history.

FIG. 6 is a top plan view thereof;

(56) **References Cited**

FIG. 7 is a bottom plan view thereof; and,

U.S. PATENT DOCUMENTS

FIGS. 8-10 are views showing the ceiling fan in different positions of use.

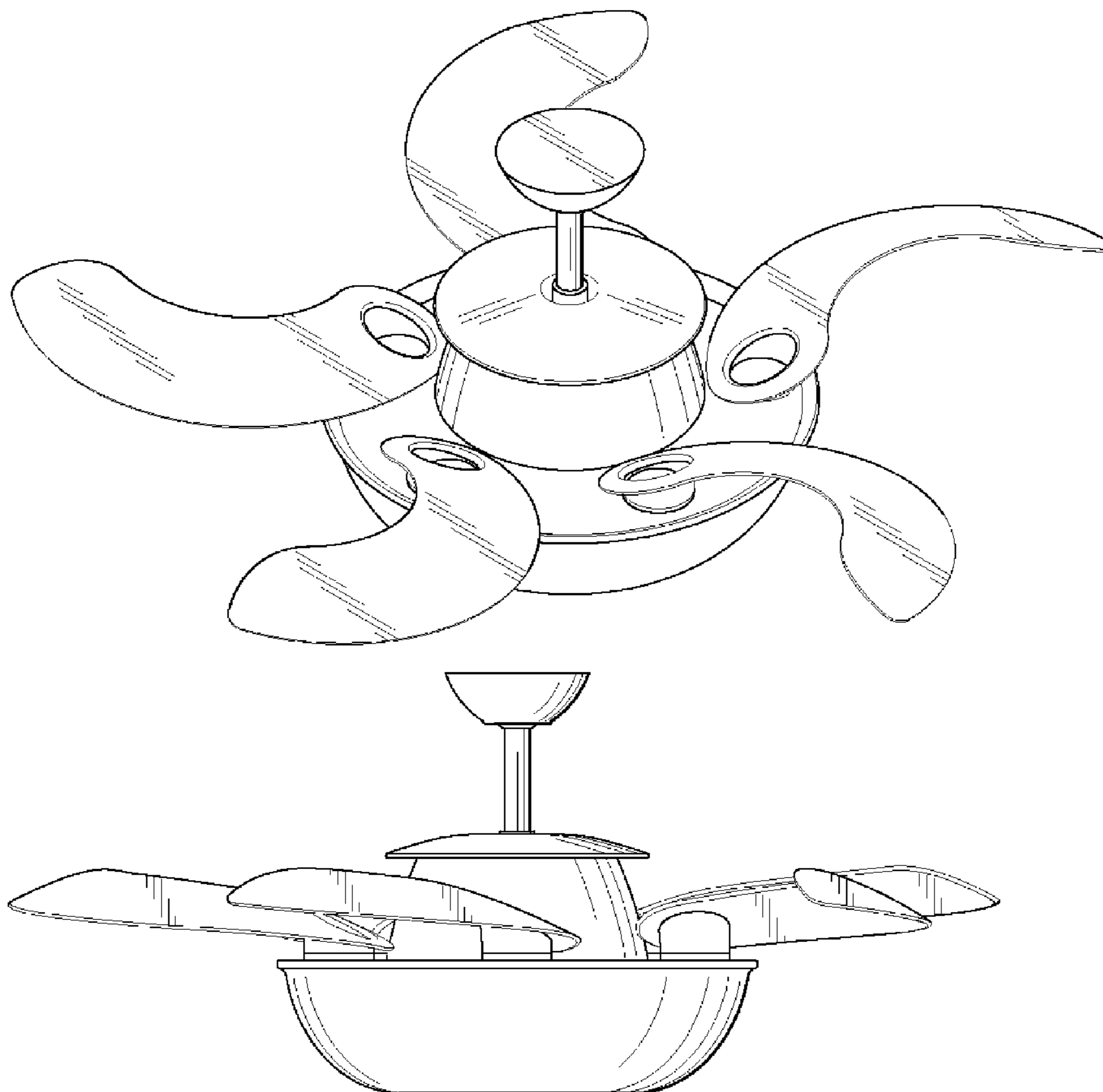
D370,971 S * 6/1996 Wu D23/411

D527,451 S * 8/2006 Glasbrenner D23/377

D604,405 S * 11/2009 Searle D23/377

* cited by examiner

1 Claim, 10 Drawing Sheets



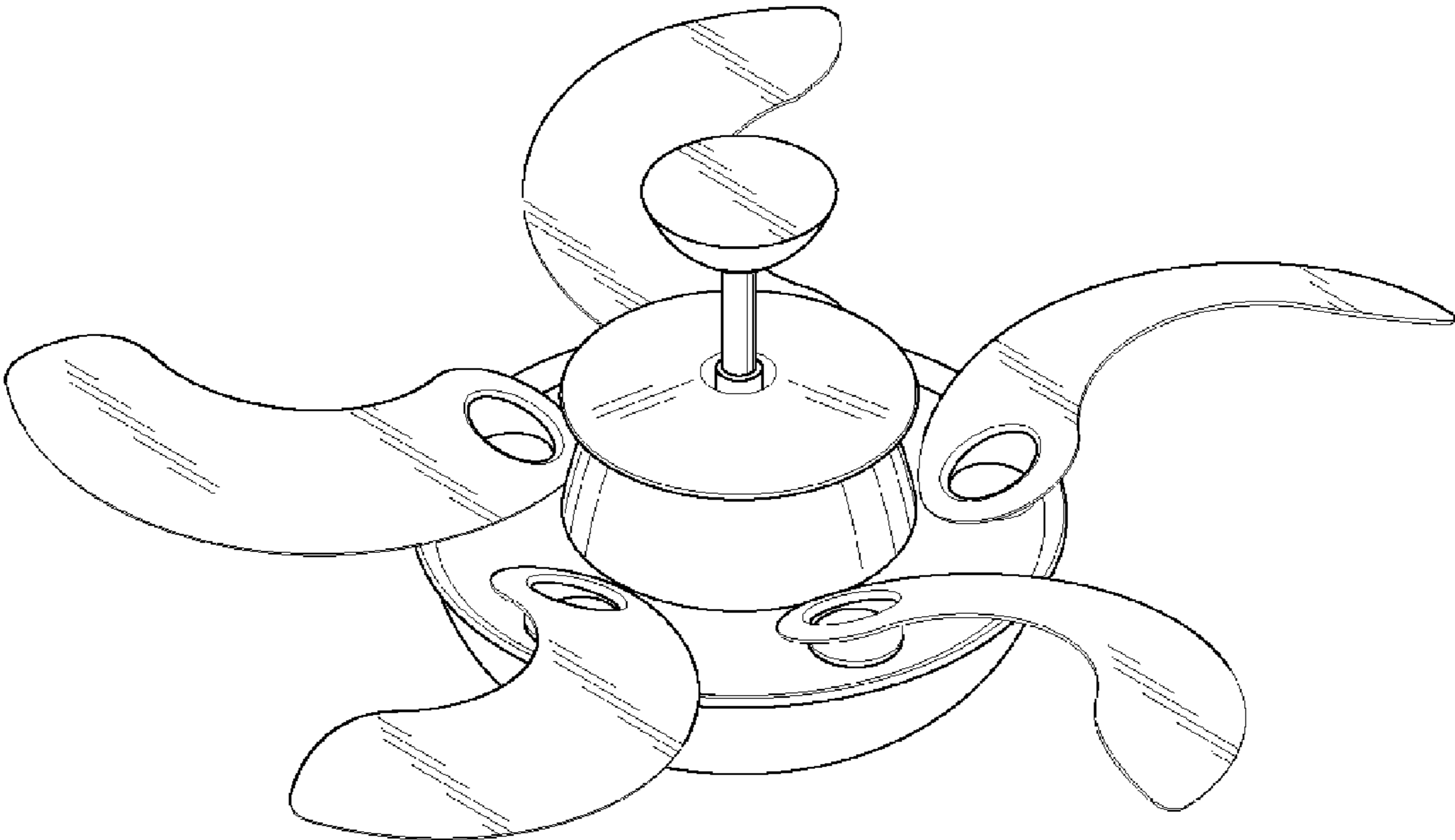


FIG. 1

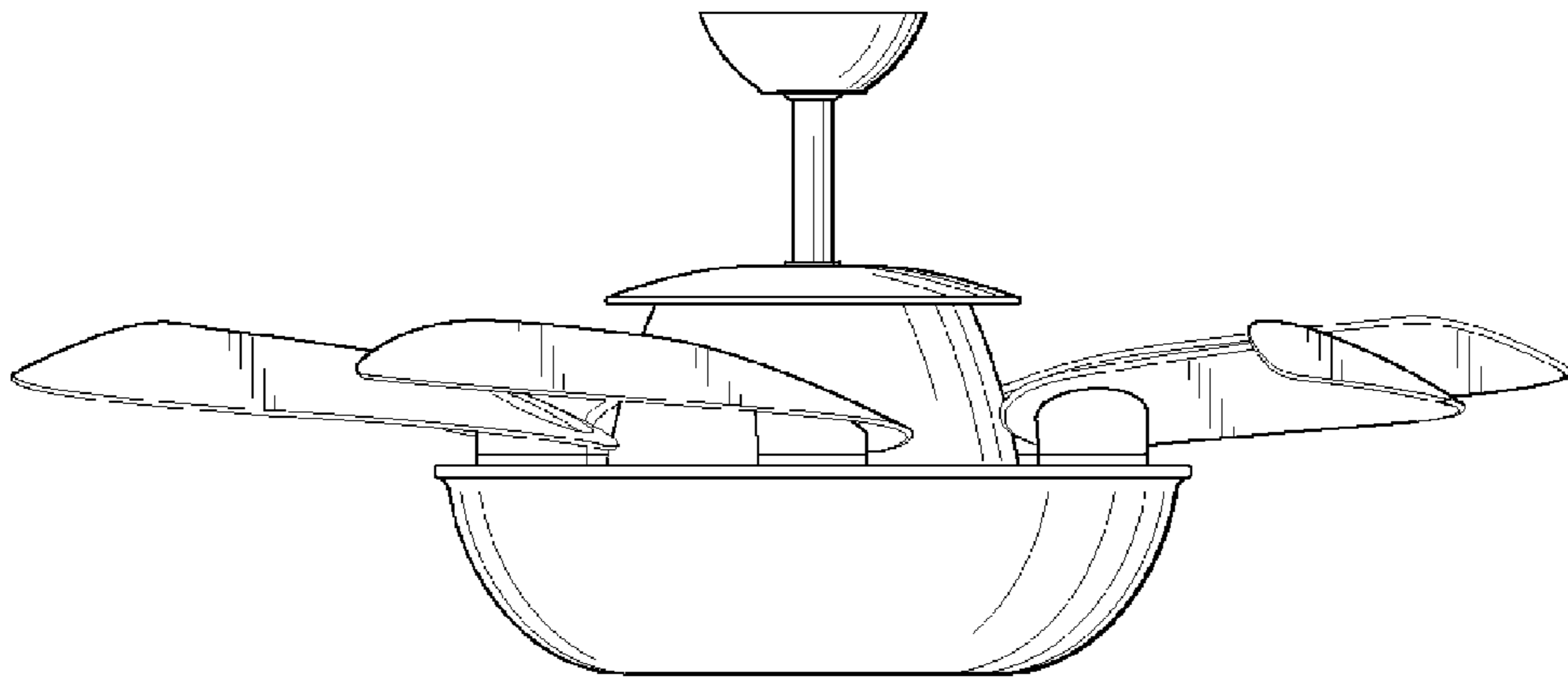


FIG. 2

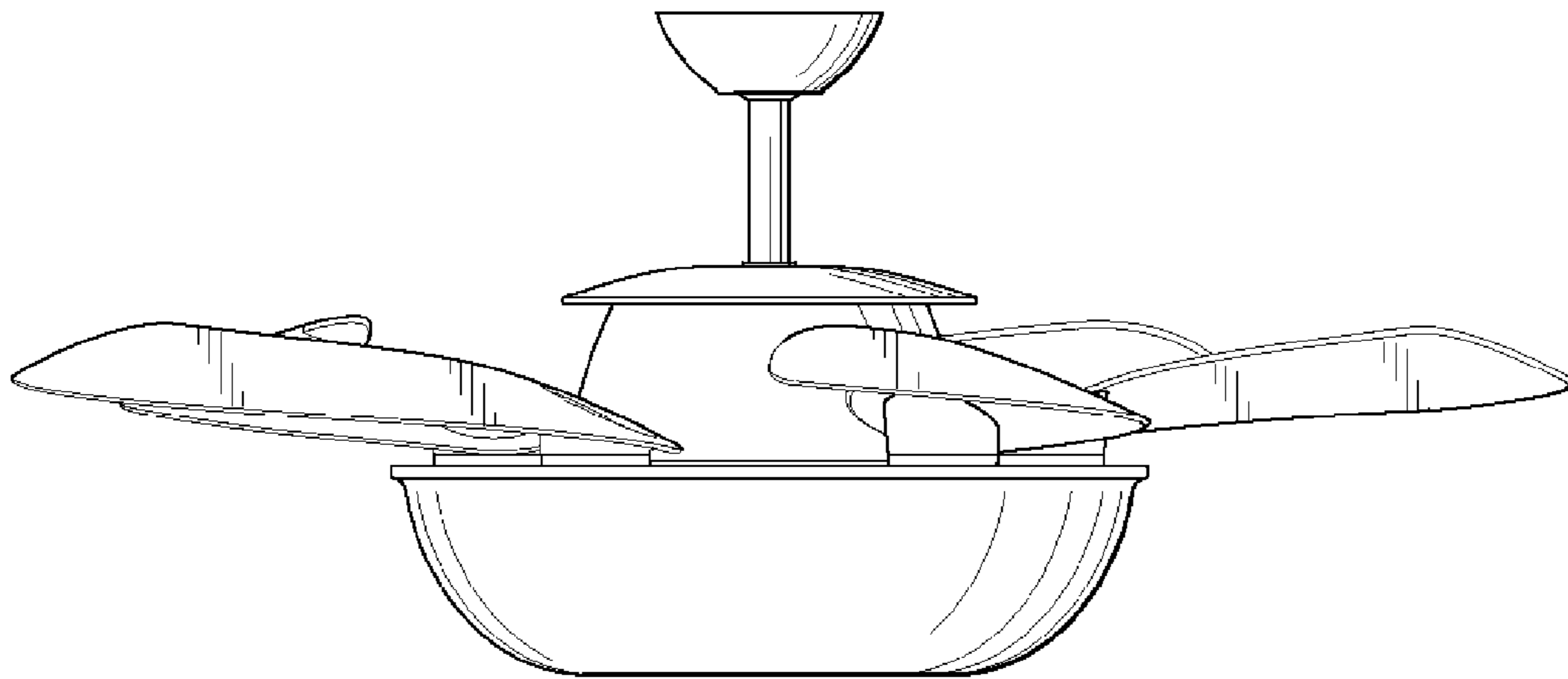


FIG. 3

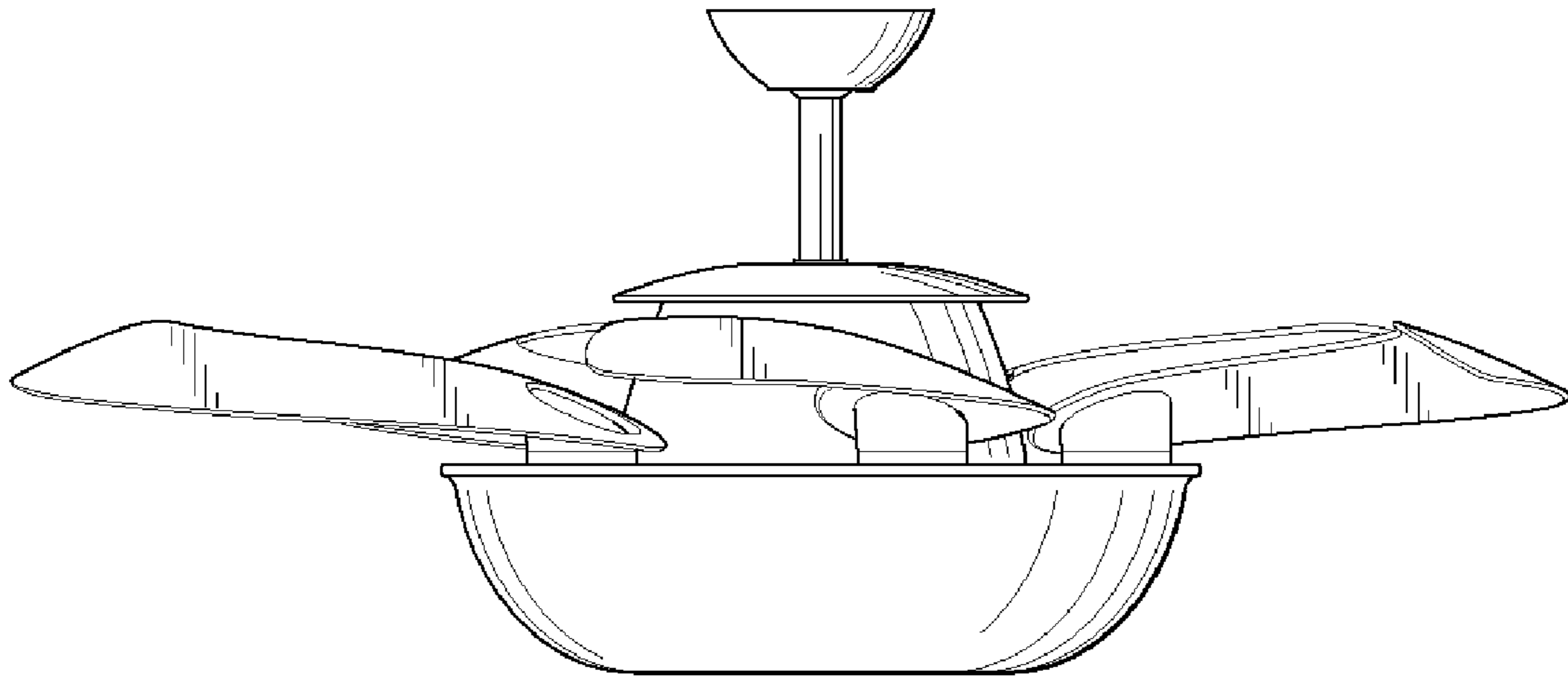


FIG. 4

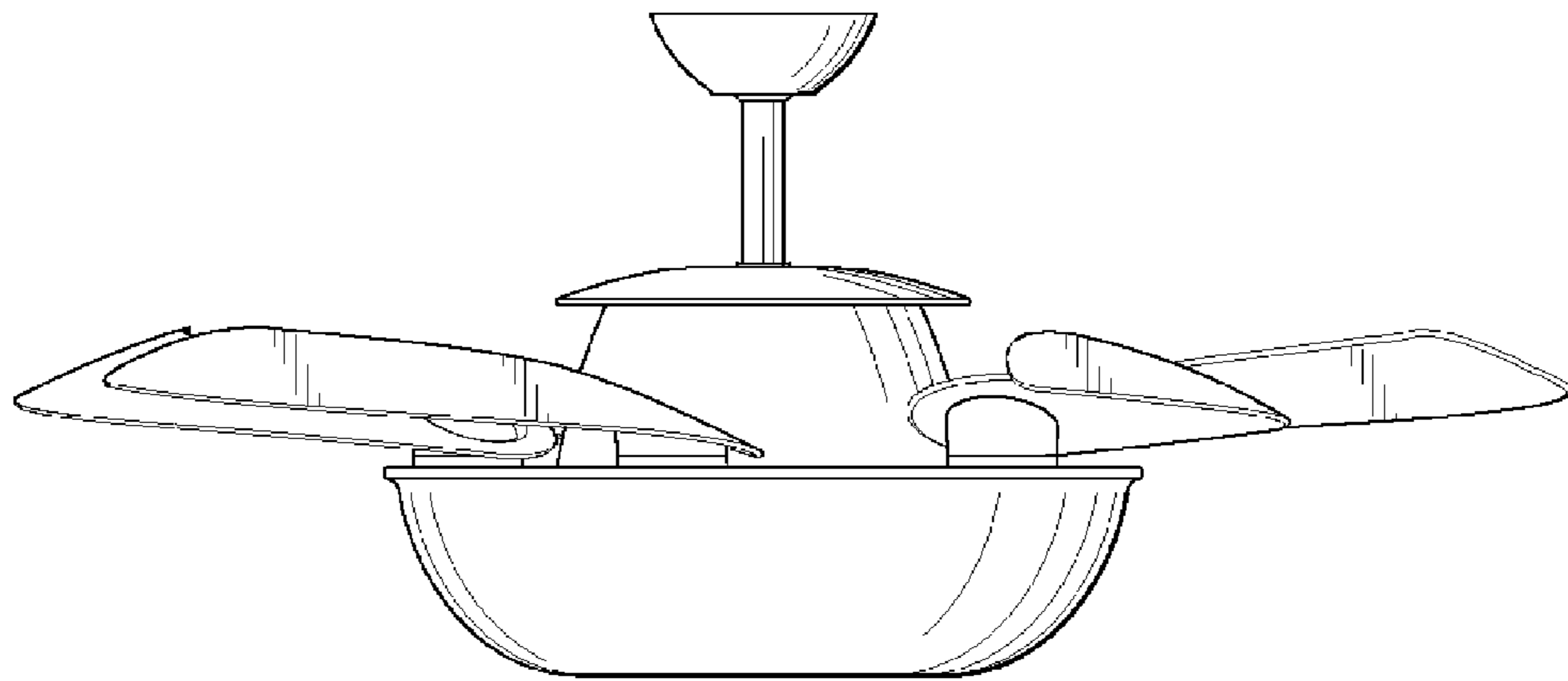


FIG. 5

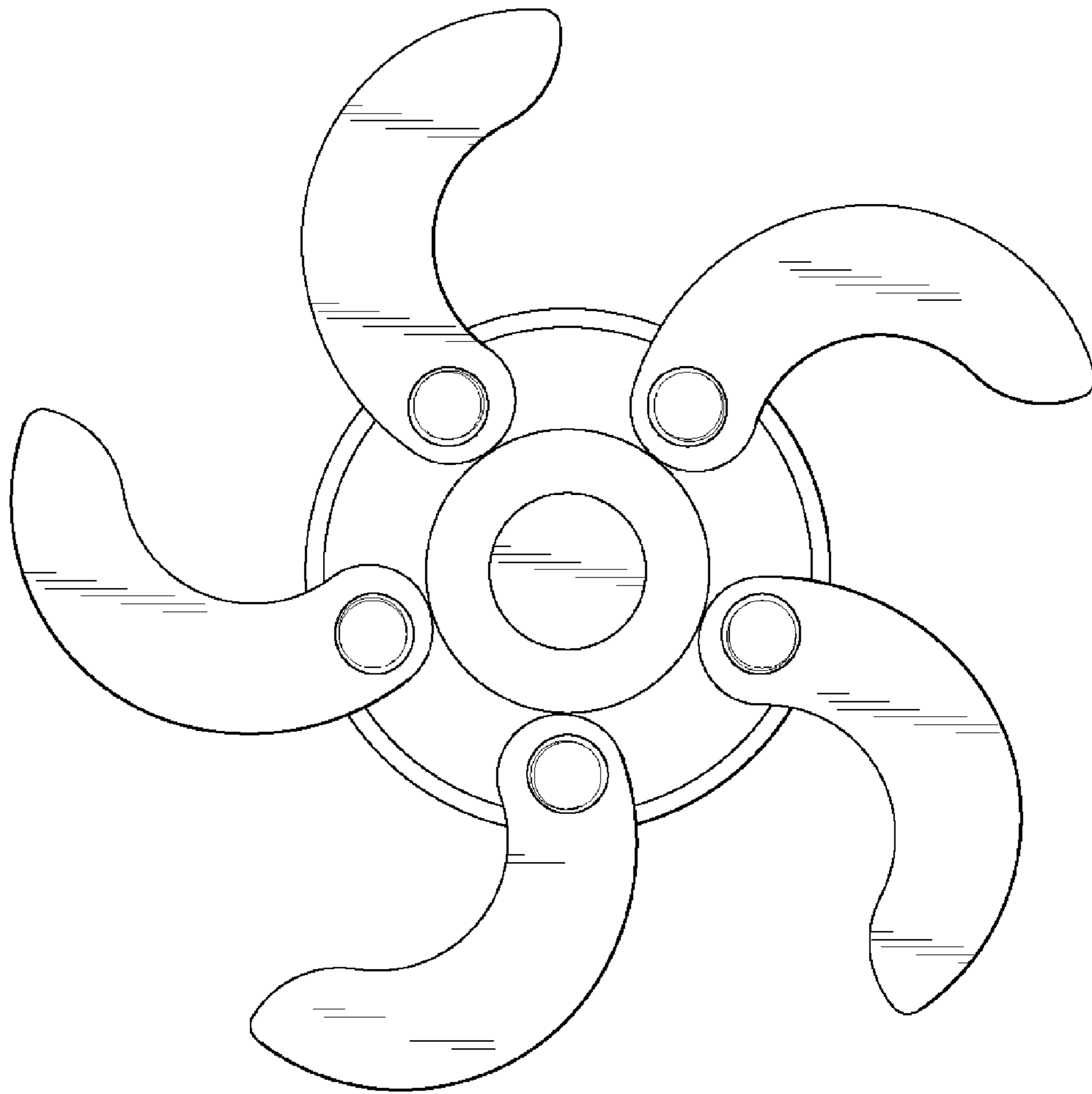


FIG. 6

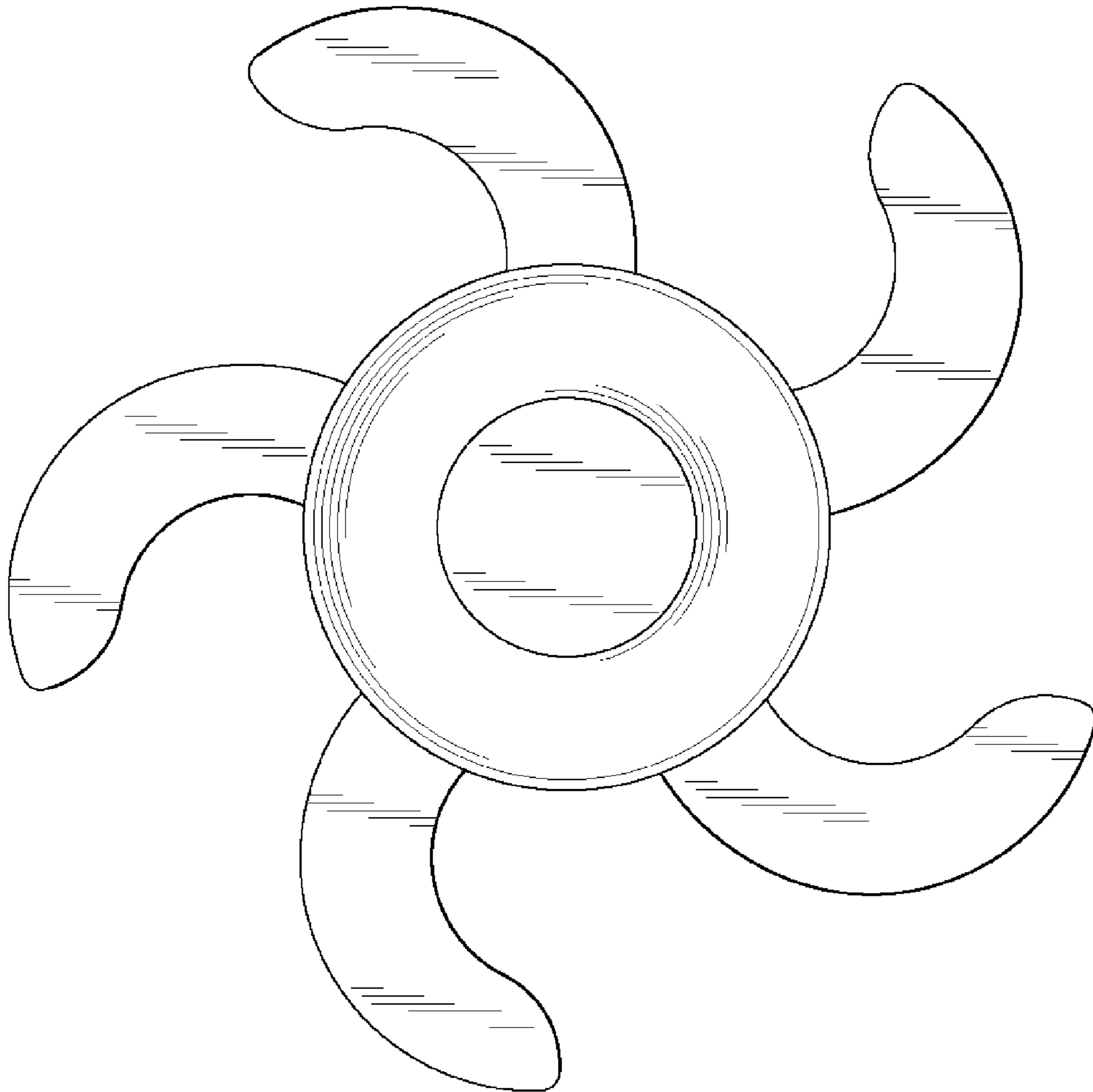


FIG. 7

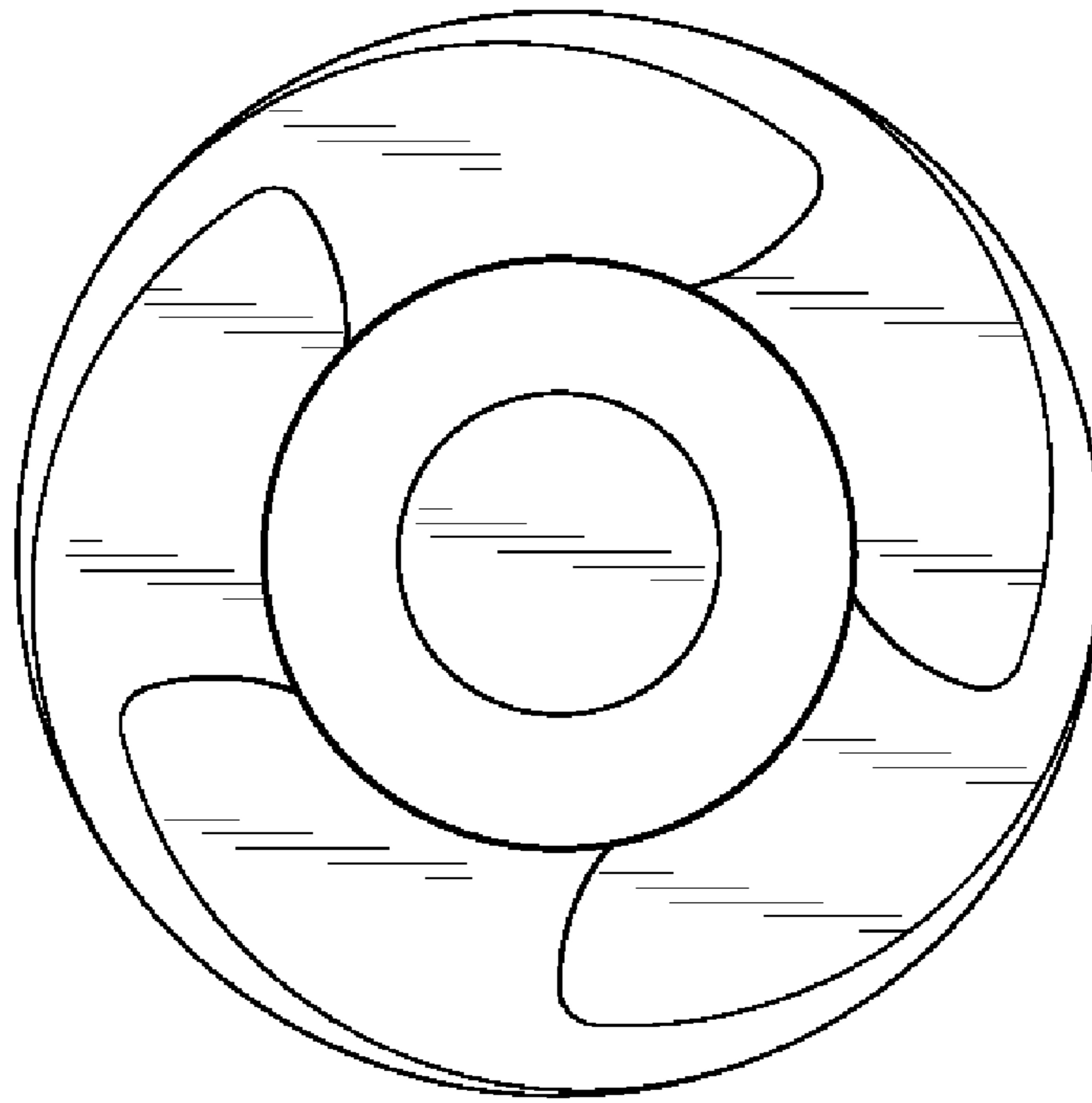


FIG. 8

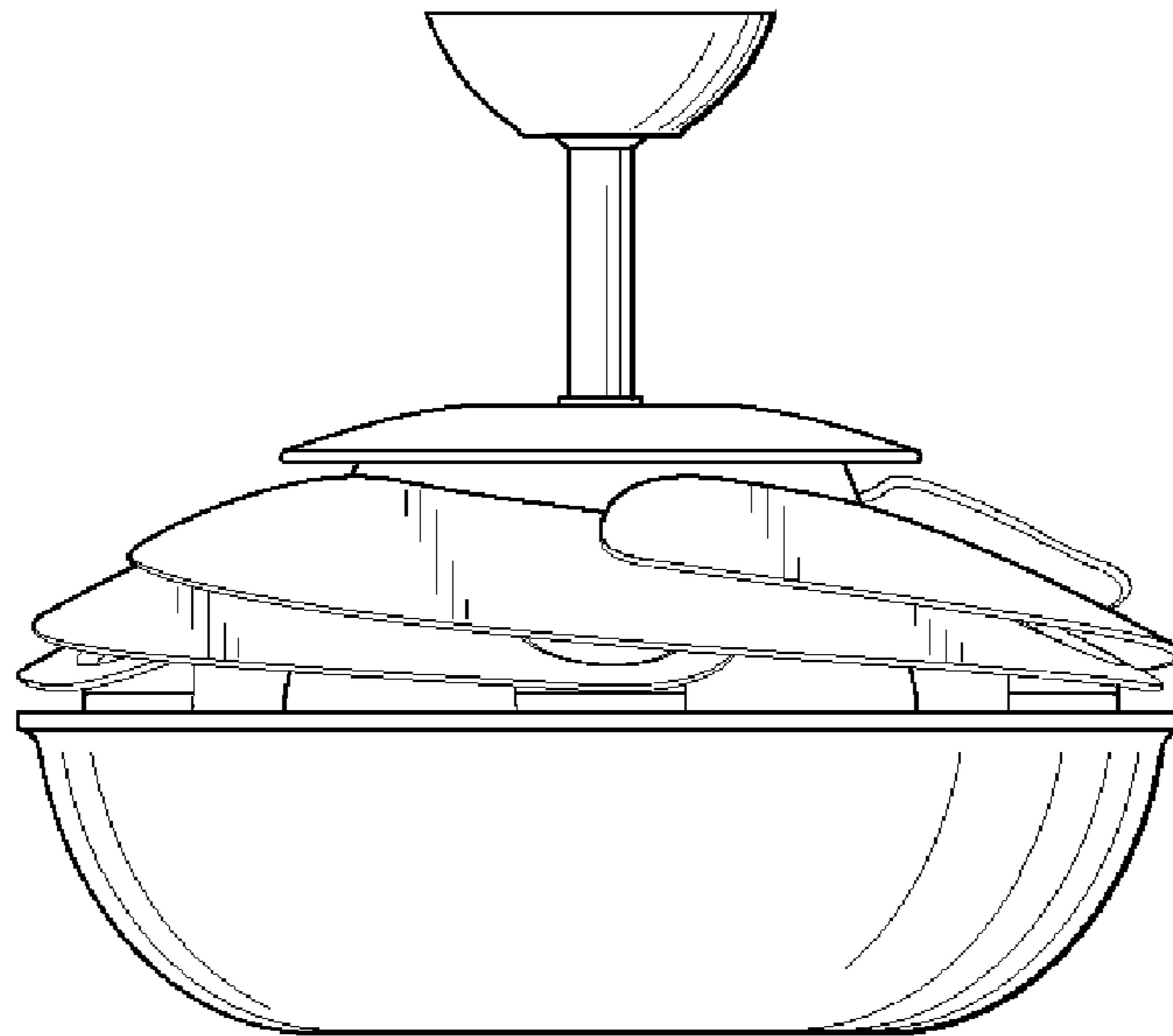


FIG. 9

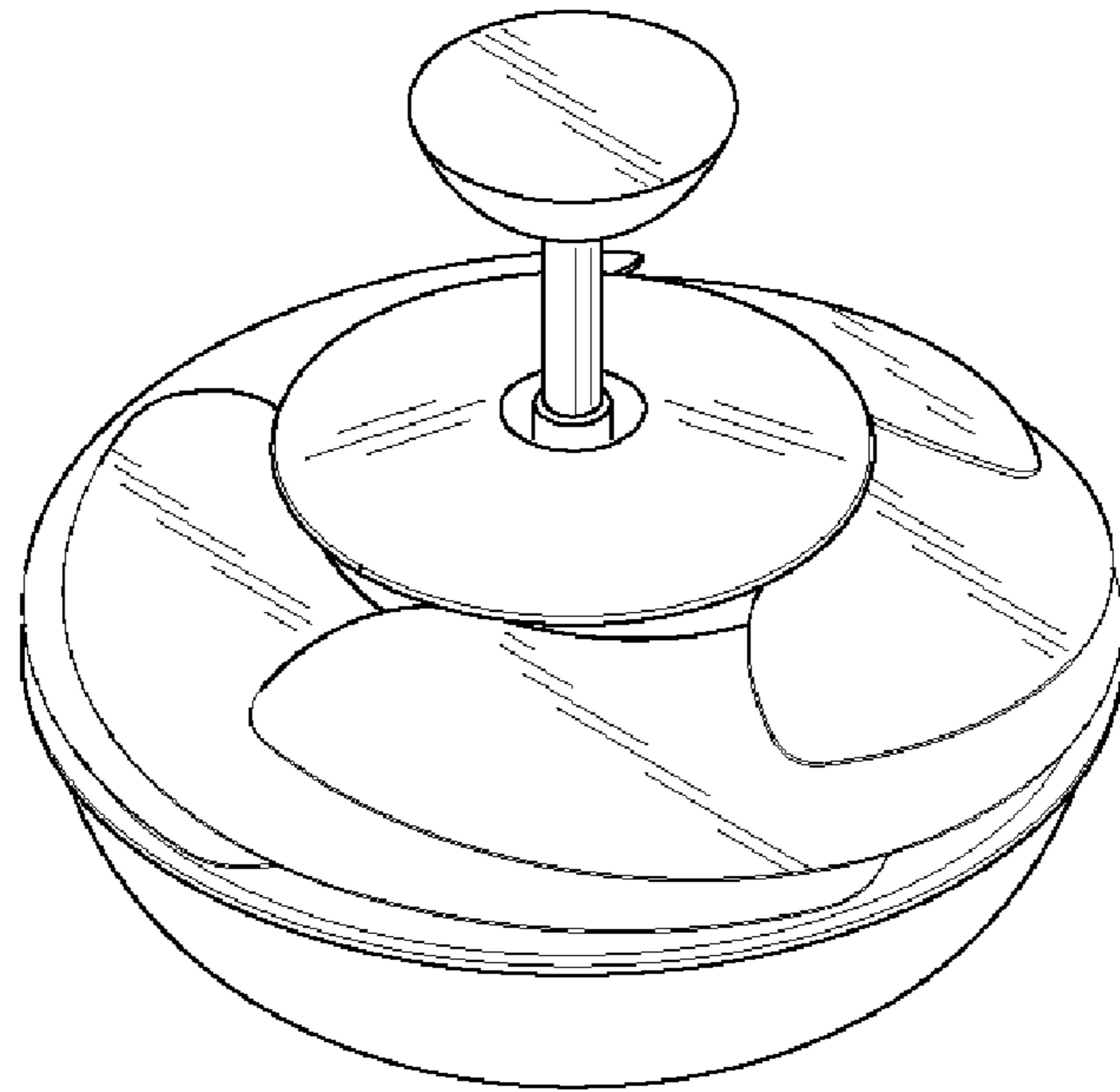


FIG. 10