



US00D625402S

(12) **United States Design Patent**
Yen et al.

(10) **Patent No.:** **US D625,402 S**
(45) **Date of Patent:** **** Oct. 12, 2010**

(54) **CENTRIFUGAL FAN**

(75) Inventors: **Kevin Yen**, Nagano Prefecture (JP);
Hikomitsu Kuribayashi, Nagano Prefecture (JP)

(73) Assignee: **Sanyo Denki Co., Ltd.**, Tokyo (JP)

(**) Term: **14 Years**

(21) Appl. No.: **29/348,792**

(22) Filed: **Feb. 10, 2010**

(30) **Foreign Application Priority Data**

Aug. 11, 2009 (JP) 2009-018494

(51) **LOC (9) Cl.** **23-04**

(52) **U.S. Cl.** **D23/370**

(58) **Field of Classification Search** D23/370,
D23/383, 411, 414; 415/206, 208.1; 416/185,
416/186 R, 187

See application file for complete search history.

(56) **References Cited**

U.S. PATENT DOCUMENTS

6,540,476 B2 * 4/2003 Huang et al. 415/98
D530,006 S * 10/2006 Li et al. D23/414
D539,408 S * 3/2007 Wu et al. D23/370

FOREIGN PATENT DOCUMENTS

JP 05-312191 11/1993

* cited by examiner

Primary Examiner—Lisa P Lichtenstein

(74) *Attorney, Agent, or Firm*—Rankin, Hill & Clark LLP

(57) **CLAIM**

We claim the ornamental design for a centrifugal fan, as shown and described.

DESCRIPTION

FIG. 1 is a front side elevation view of a centrifugal fan embodying our design;

FIG. 2 is a rear side elevation view of the centrifugal fan shown in FIG. 1;

FIG. 3 is a right side elevation view of the centrifugal fan shown in FIG. 1;

FIG. 4 is a left side elevation view of the centrifugal fan shown in FIG. 1;

FIG. 5 is a top plan view of the centrifugal fan shown in FIG. 1;

FIG. 6 is a bottom plan view of the centrifugal fan shown in FIG. 1; and,

FIG. 7 is a perspective view of the centrifugal fan shown in FIG. 1.

The broken line showing of portions of the centrifugal fan is included for the purpose of illustrating environmental structure and forms no part of the claimed design.

1 Claim, 7 Drawing Sheets

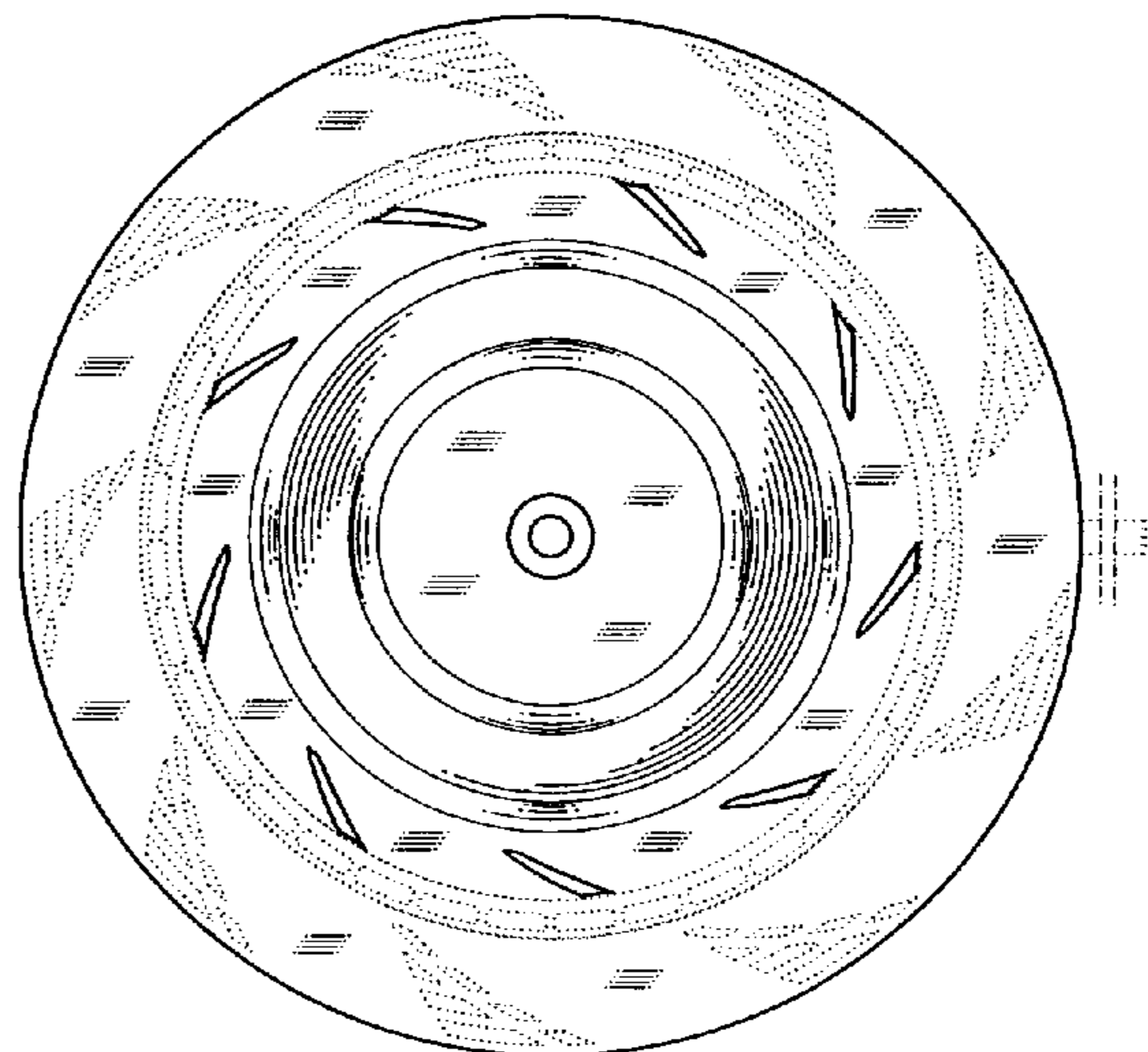
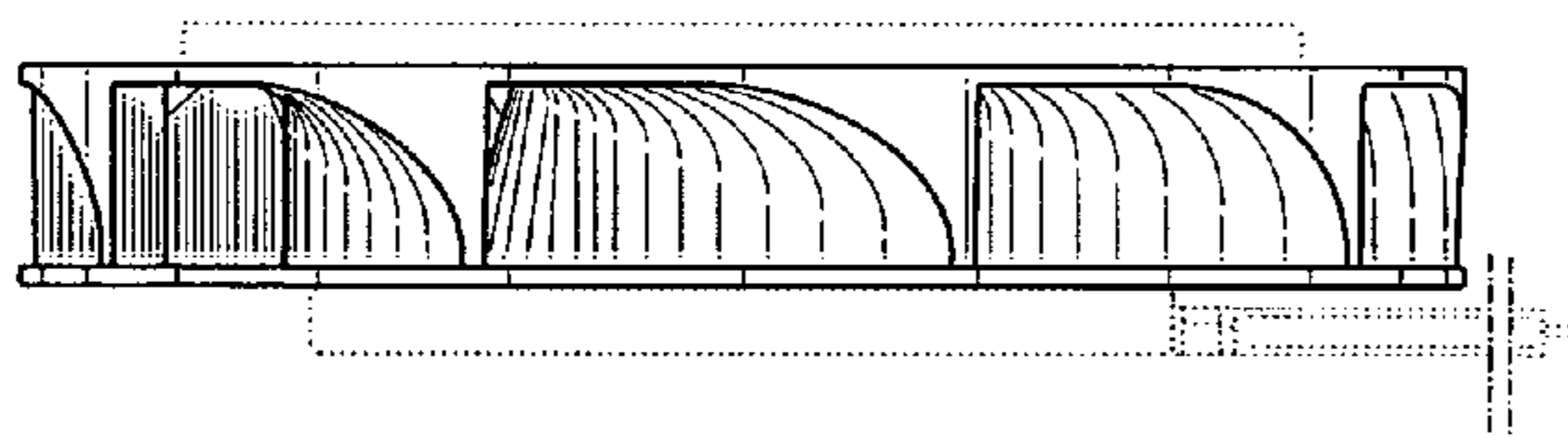


Fig.1

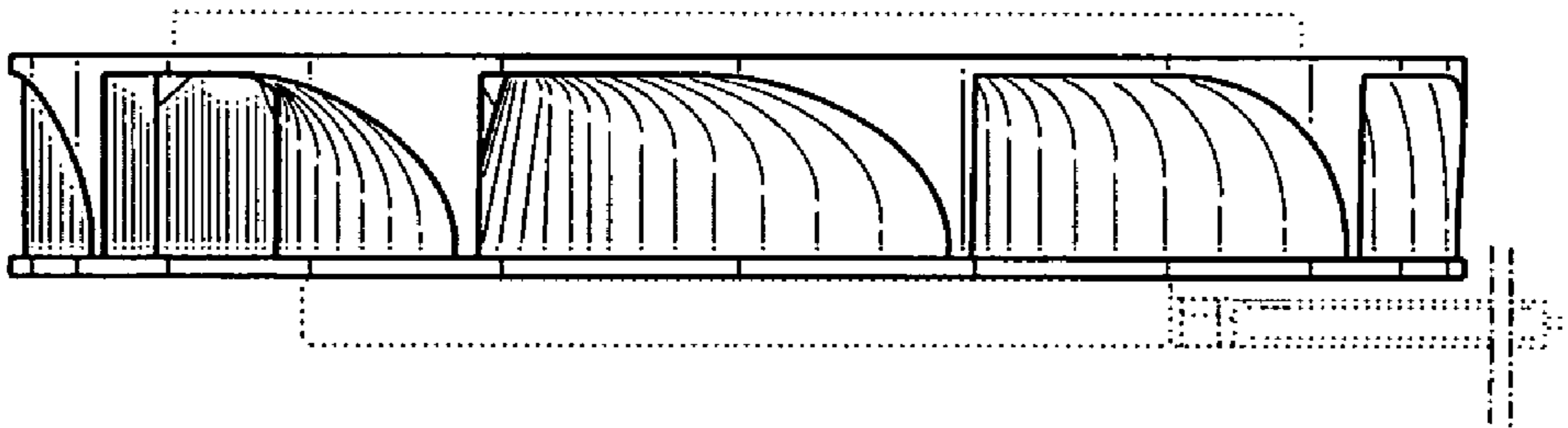


Fig.2

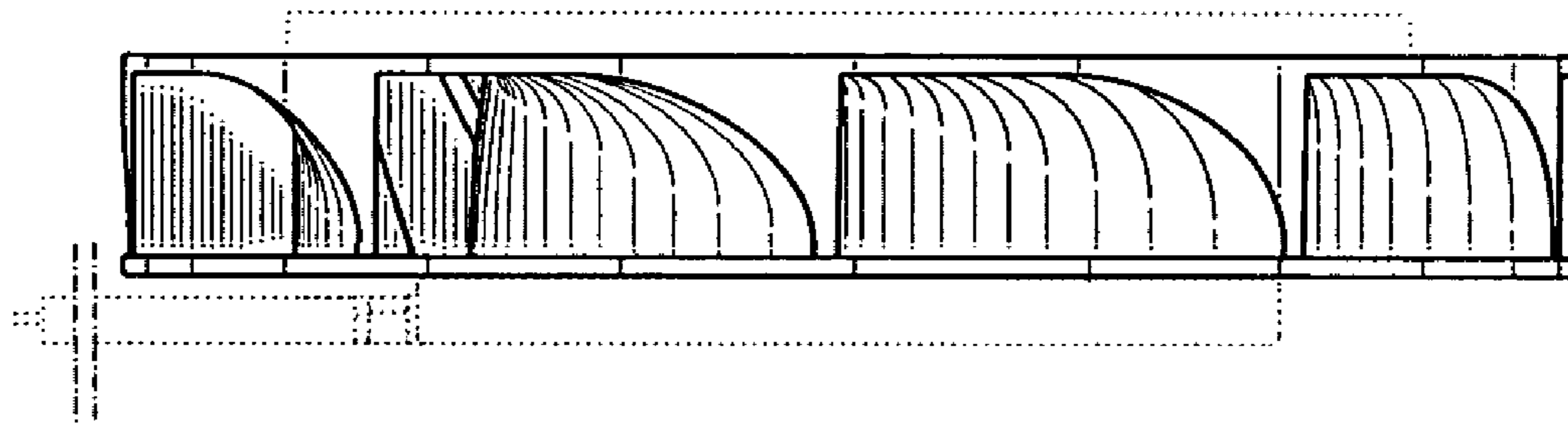


Fig.3

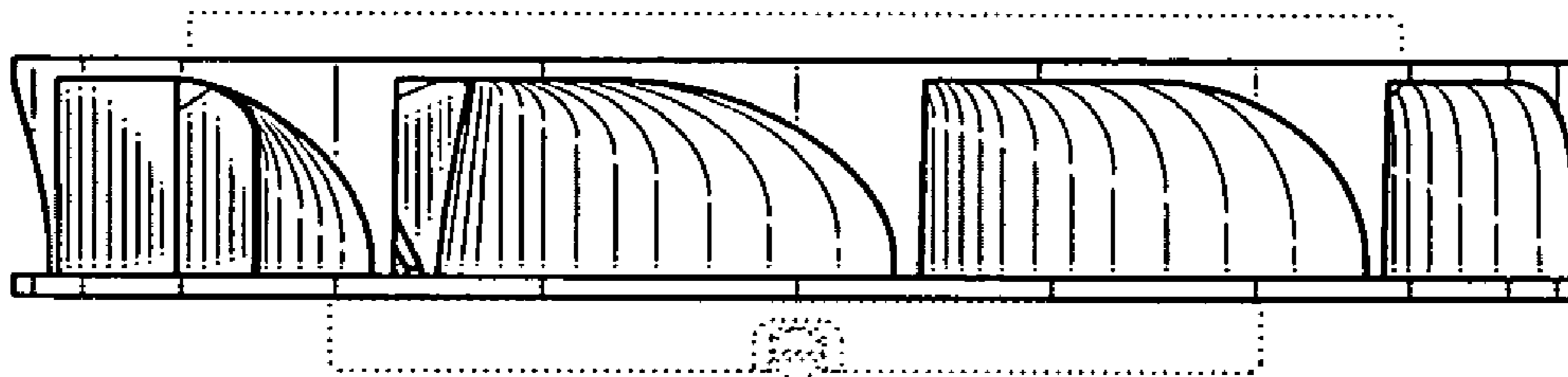


Fig.4

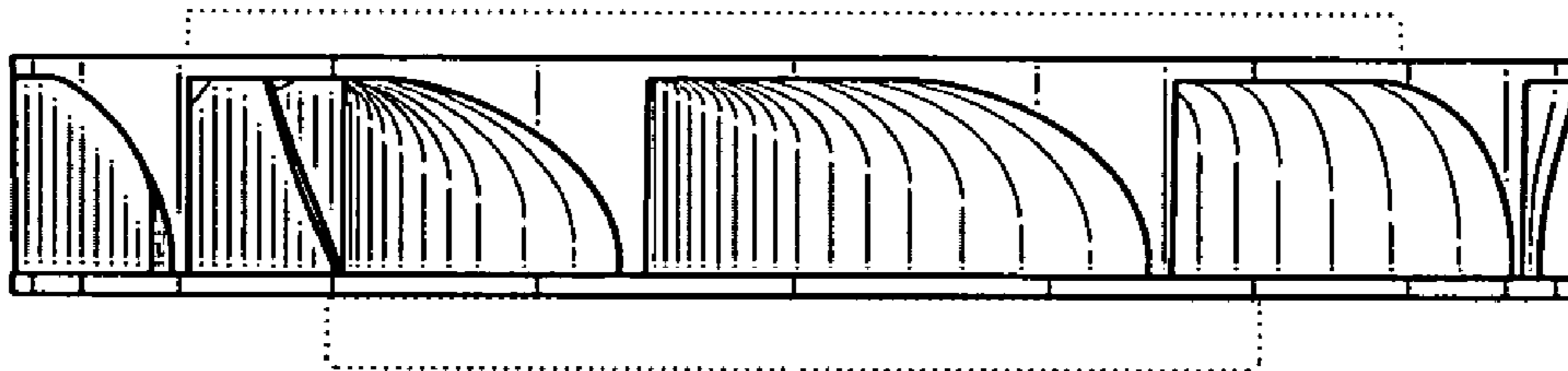


Fig.5

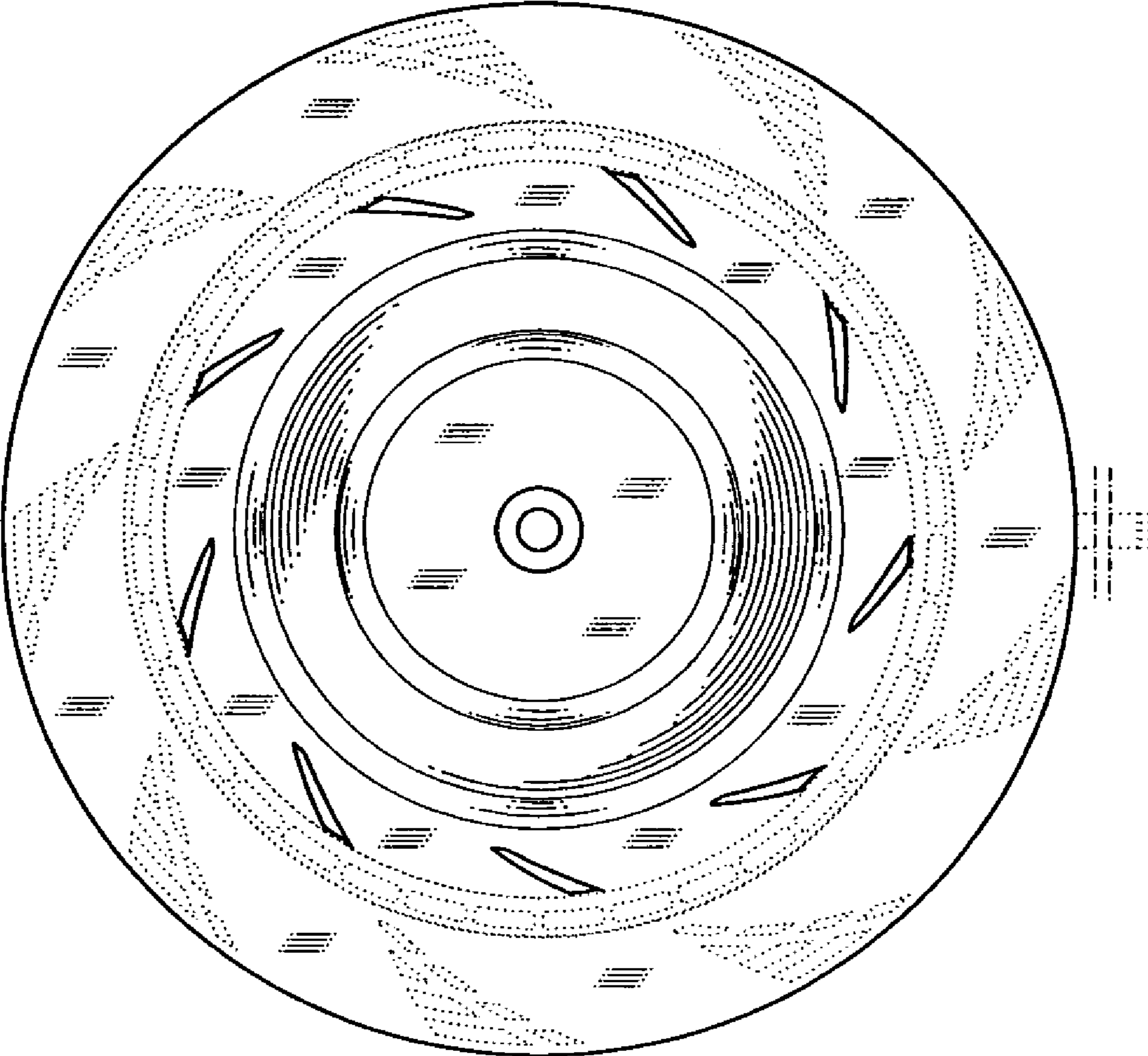


Fig.6

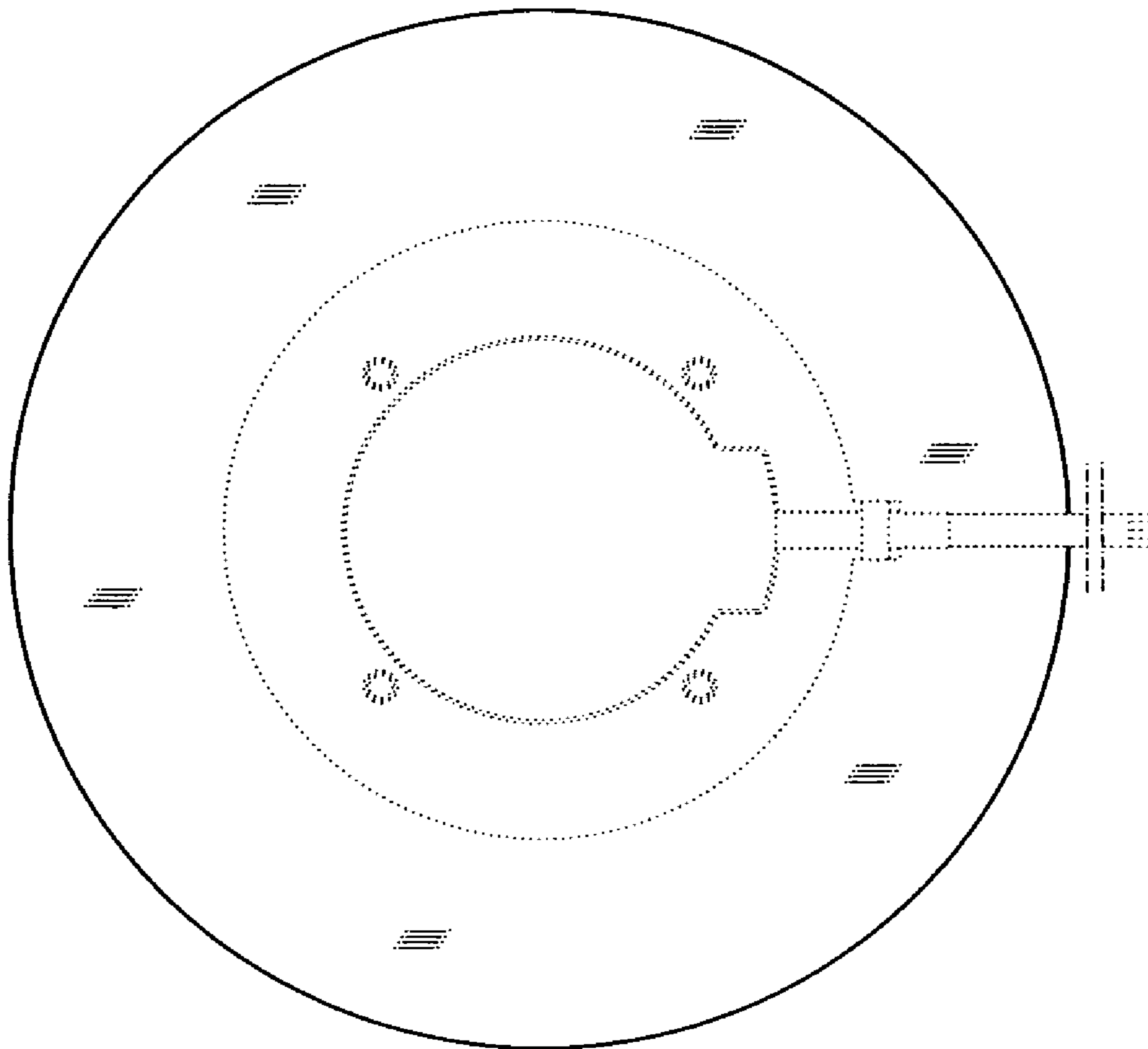


Fig.7

