



US00D625400S

(12) **United States Design Patent**  
**Deflorian et al.**

(10) **Patent No.:** **US D625,400 S**  
(45) **Date of Patent:** **\*\* Oct. 12, 2010**

(54) **DIFFUSING APPARATUS OF ACTIVE SUBSTANCES**

(75) Inventors: **Stefano Deflorian**, Trento (IT); **Walter Sordo**, Trento (IT)

(73) Assignee: **Zobe Holding S.p.A.**, Trento (IL)

(\*\*) Term: **14 Years**

(21) Appl. No.: **29/321,027**

(22) Filed: **Jul. 9, 2008**

(30) **Foreign Application Priority Data**

Jan. 11, 2008 (EM) ..... 000858170

(51) **LOC (9) Cl.** ..... **28-99**

(52) **U.S. Cl.** ..... **D23/366**

(58) **Field of Classification Search** ..... D23/355-369;  
261/DIG. 17, DIG. 42, DIG. 65, DIG. 8,  
261/DIG. 89; 239/34, 35, 37, 44, 53, 56,  
239/57, 60, 136, 326; 392/386, 390, 394,  
392/395; D28/5, 6

See application file for complete search history.

(56) **References Cited**

**U.S. PATENT DOCUMENTS**

- 5,647,053 A \* 7/1997 Schroeder et al. .... 392/390
- D432,222 S \* 10/2000 Rymer et al. .... D23/366
- D433,744 S \* 11/2000 Basaganas ..... D23/366
- D437,636 S \* 2/2001 Basaganas ..... D23/366
- 6,285,830 B1 \* 9/2001 Basaganas Millan ..... 392/395
- D462,755 S \* 9/2002 Basaganas Millan ..... D23/366
- 6,466,739 B2 \* 10/2002 Ambrosi et al. .... 392/395
- D491,256 S \* 6/2004 Fellows et al. .... D23/366

- D501,921 S \* 2/2005 Caserta et al. .... D23/366
- D510,423 S \* 10/2005 Caserta et al. .... D23/366
- D516,692 S \* 3/2006 Caserta et al. .... D23/366
- 7,014,818 B2 \* 3/2006 Rymer ..... 422/123
- D539,892 S \* 4/2007 Caserta et al. .... D23/366
- D561,883 S \* 2/2008 Cantoni et al. .... D23/366
- D567,920 S \* 4/2008 Cantoni et al. .... D23/366
- D567,921 S \* 4/2008 Bellofatto et al. .... D23/366
- D568,454 S \* 5/2008 Bellofatto et al. .... D23/366
- RE40,392 E \* 6/2008 Rymer et al. .... D23/366

\* cited by examiner

*Primary Examiner*—Sandra Snapp

(74) *Attorney, Agent, or Firm*—Ladas & Parry LLP

(57) **CLAIM**

The ornamental design for a diffusing apparatus of active substances, as shown and described.

**DESCRIPTION**

FIG. 1 is a perspective view of a diffusing apparatus of active substances of my design from the front;

FIG. 2 is a perspective view thereof from the rear;

FIG. 3 is a front view thereof;

FIG. 4 is a right side view thereof;

FIG. 5 is top view thereof.

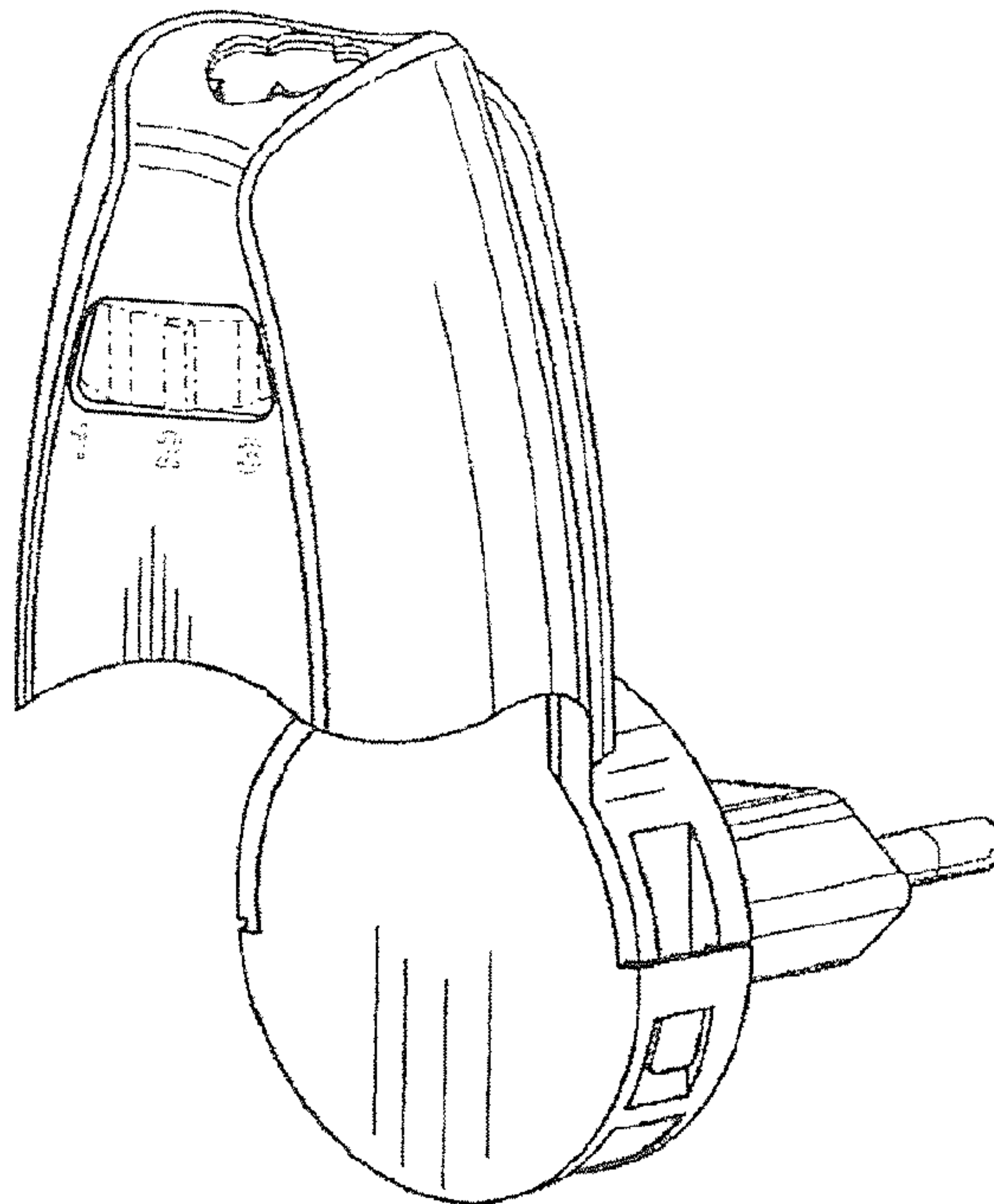
FIG. 6 is a rear view thereof;

FIG. 7 is a left side view thereof; and,

FIG. 8 is bottom view thereof.

The broken lines shown in the drawings are for illustrative purposes only and form no part of the claimed design.

**1 Claim, 8 Drawing Sheets**



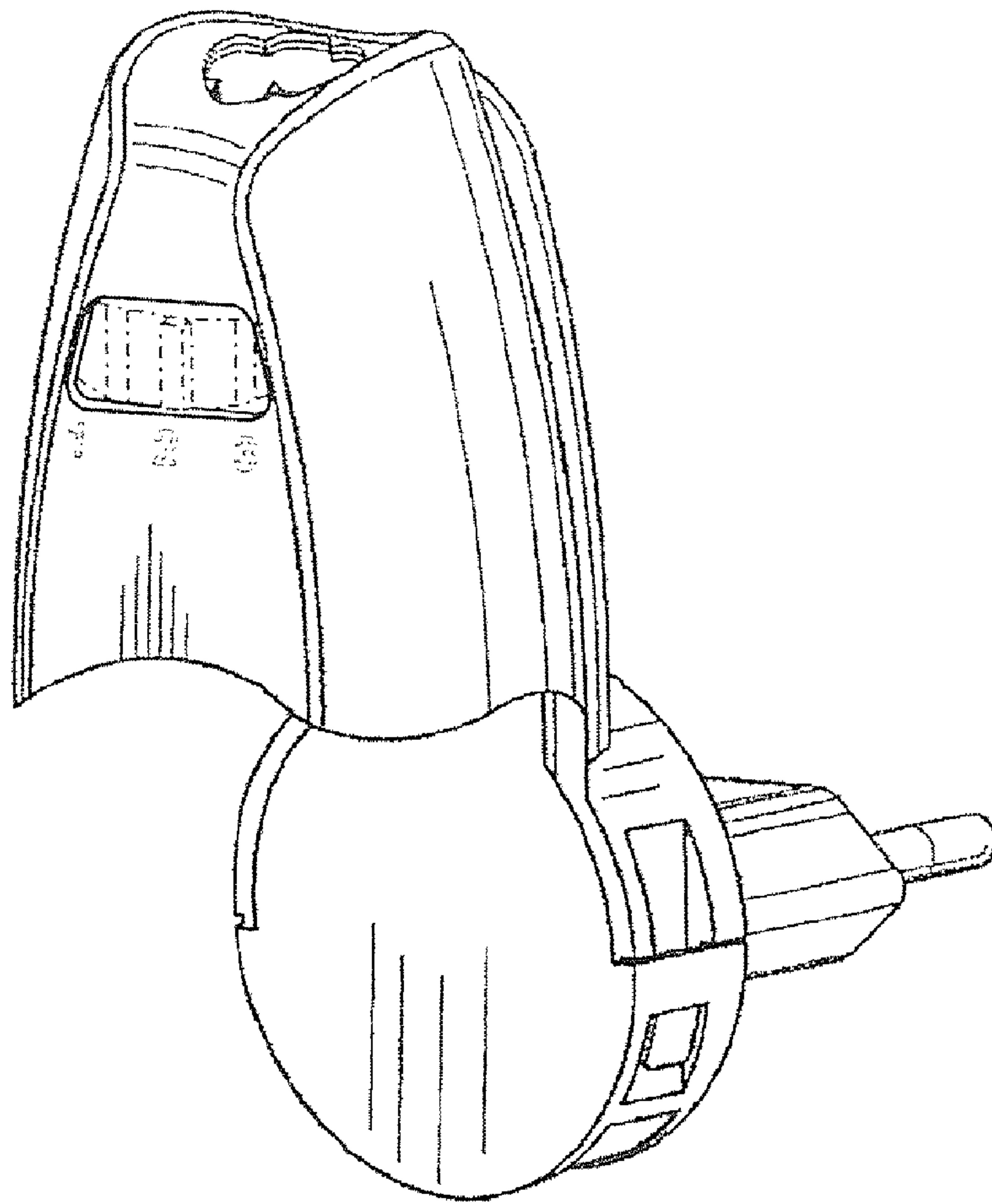


FIG. 1

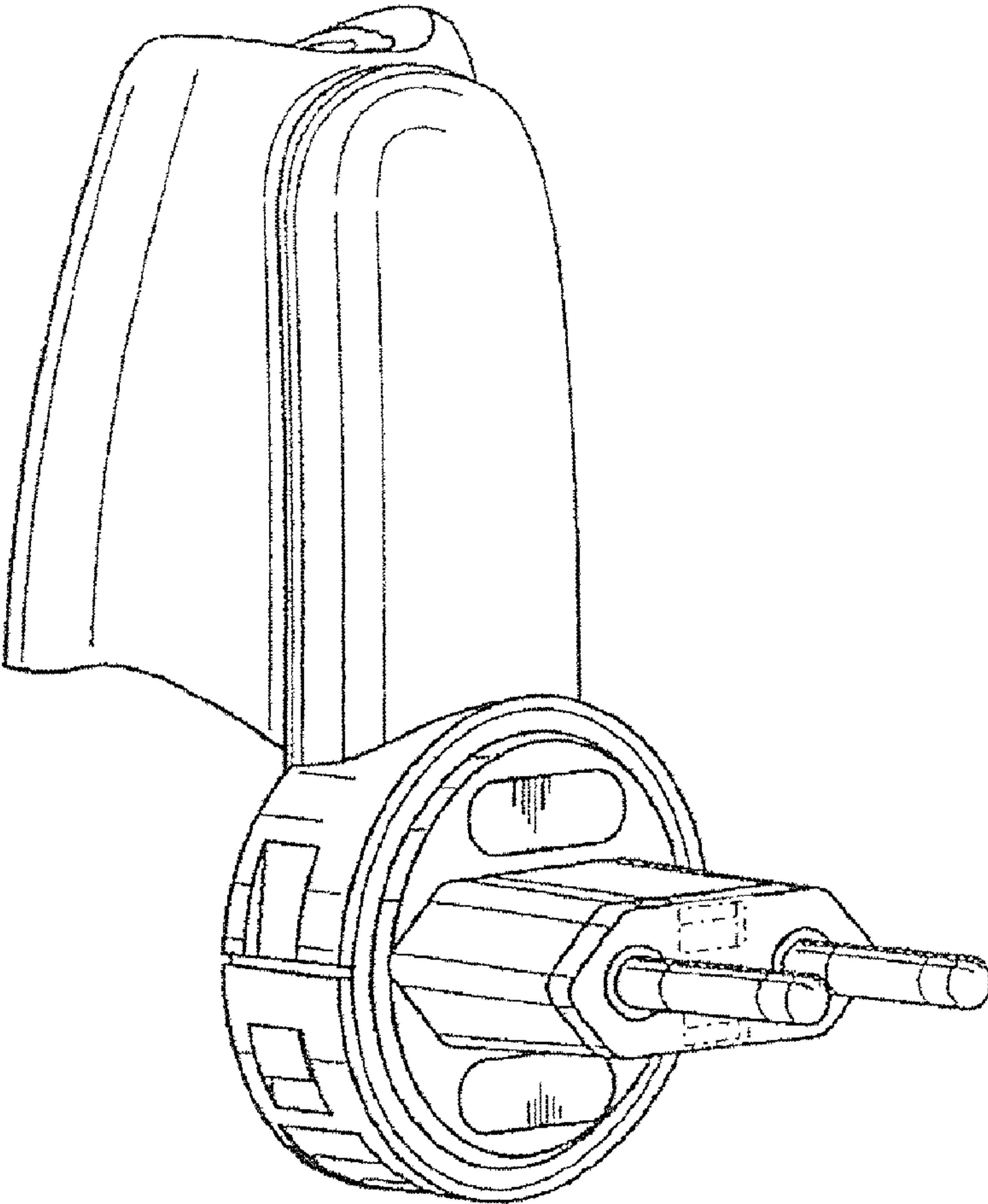


FIG. 2

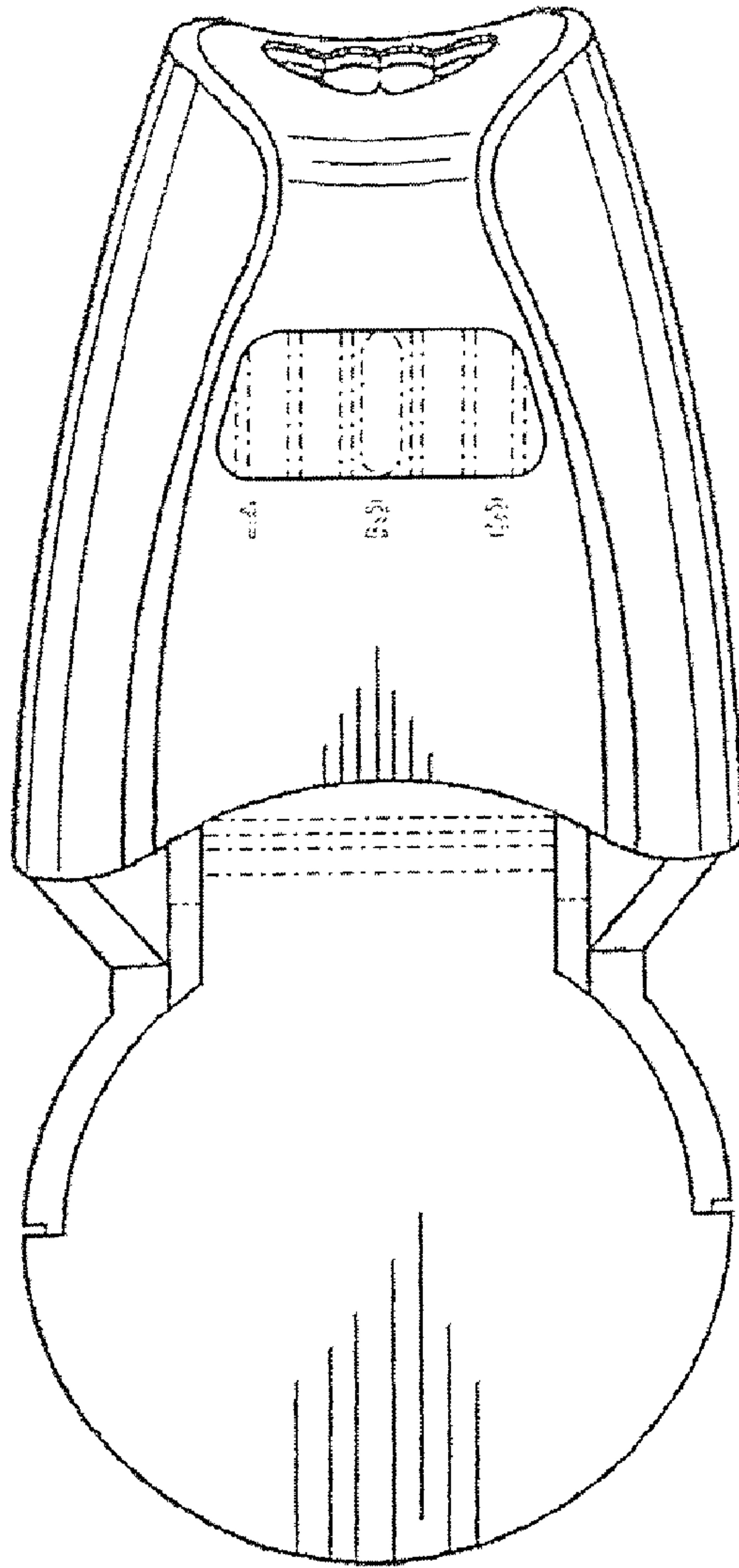


FIG. 3

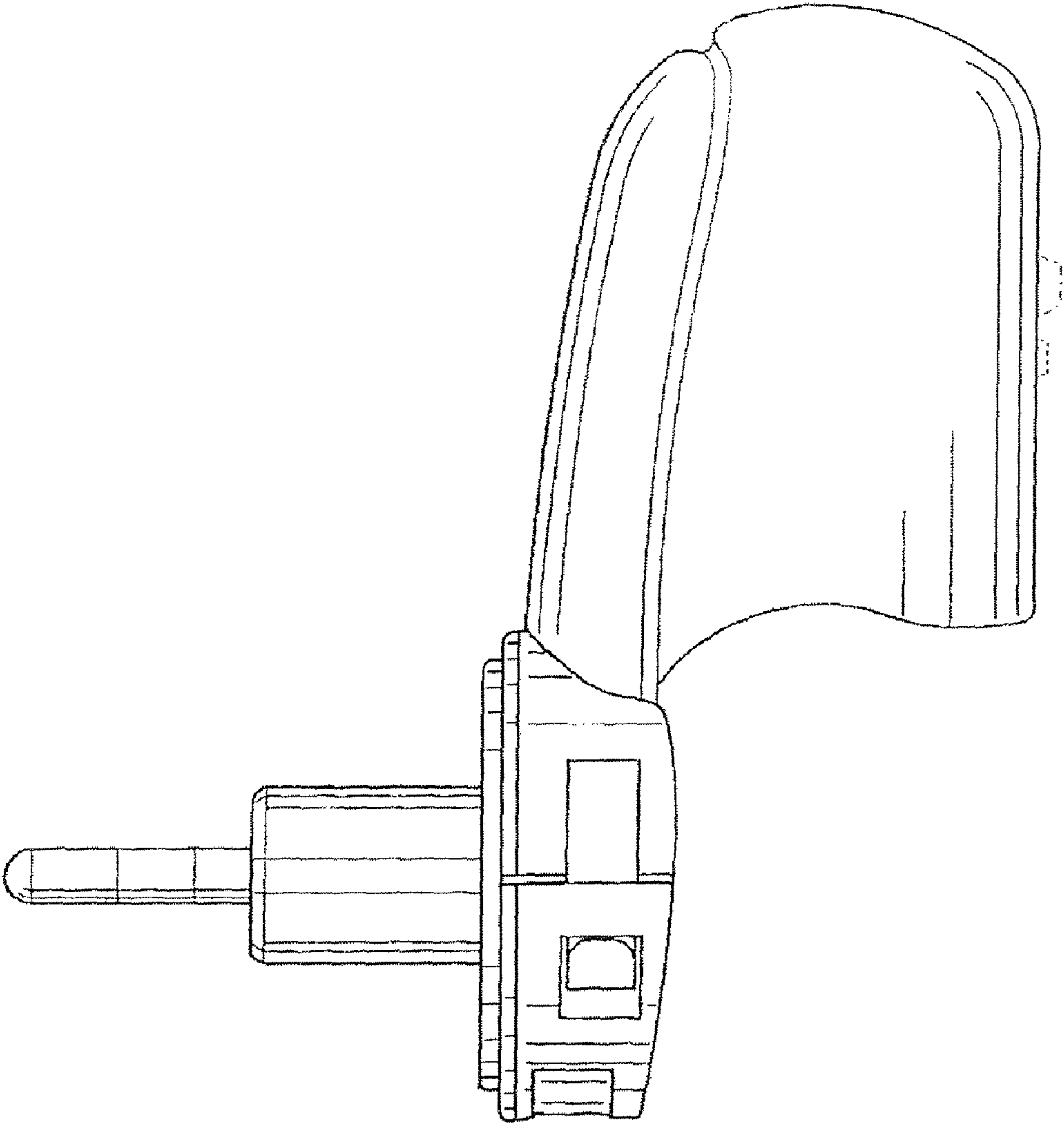


FIG. 4



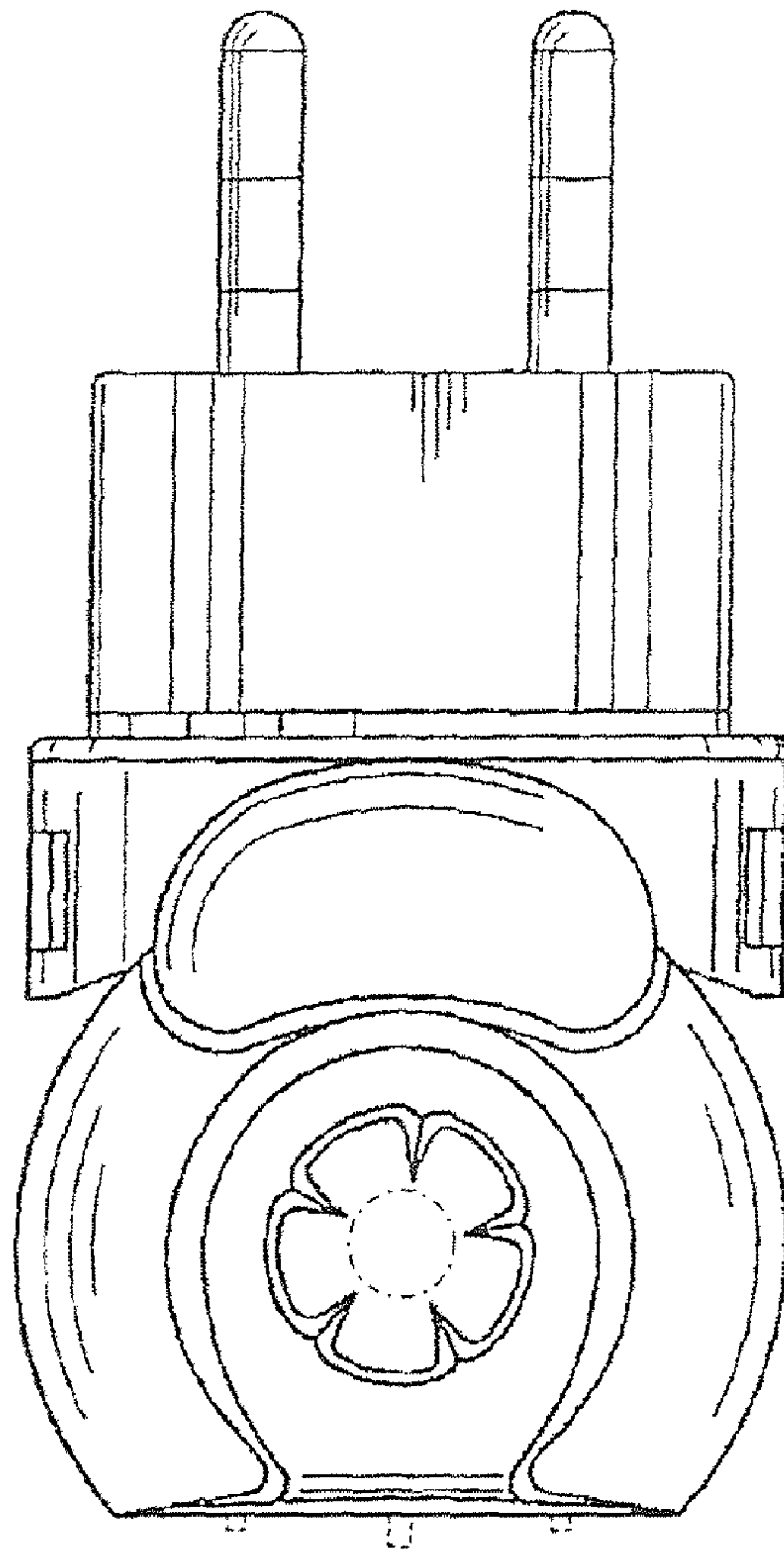


FIG. 5

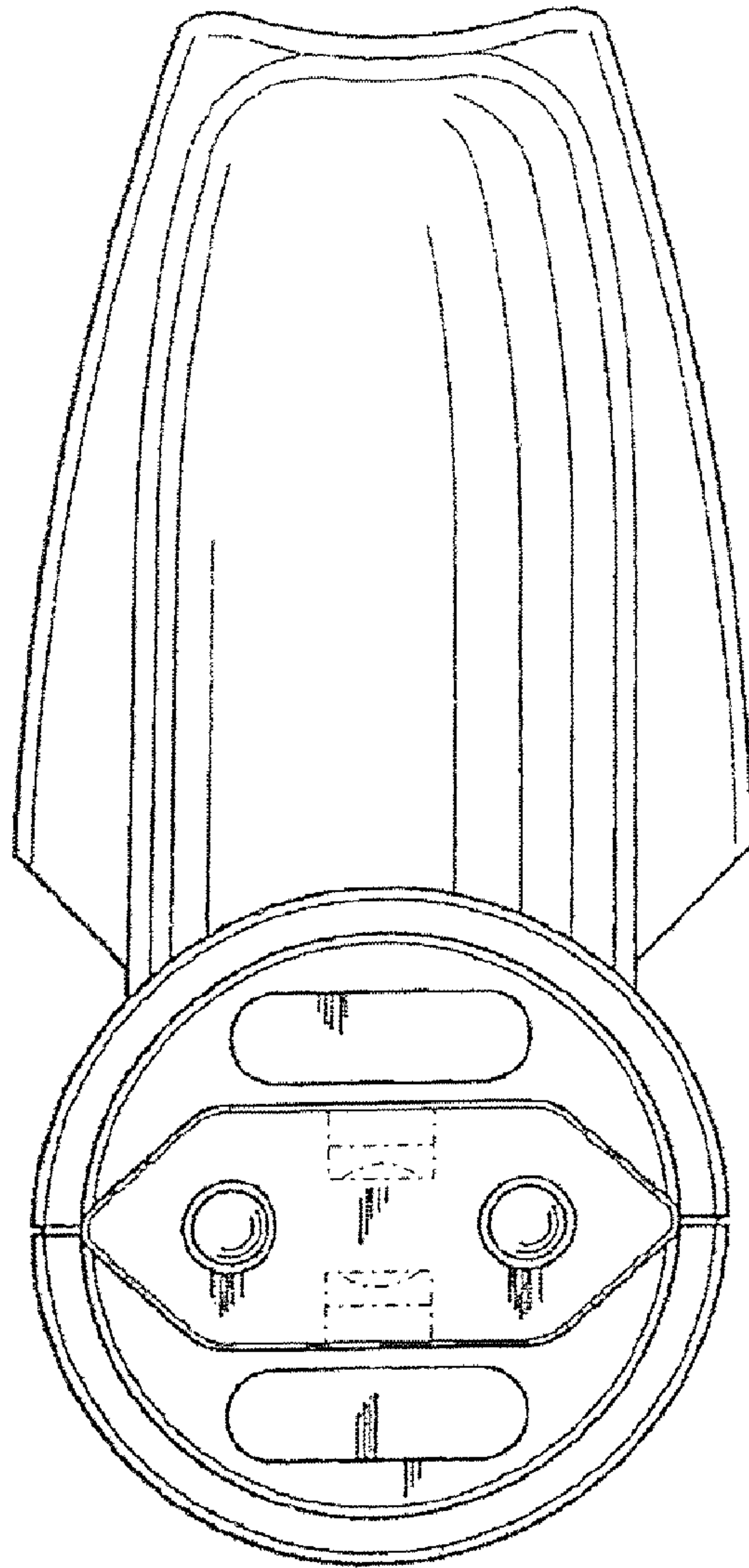


FIG. 6

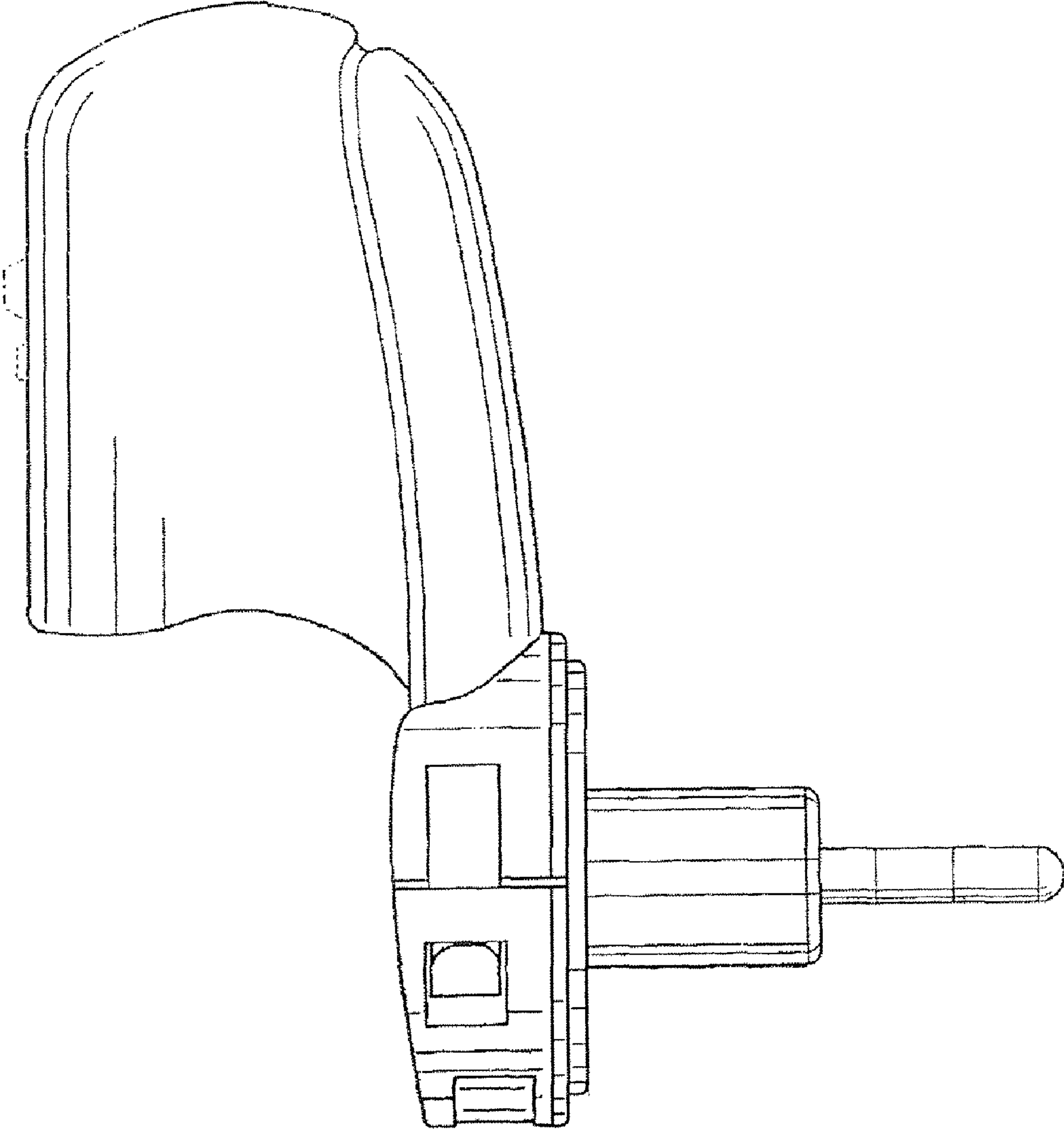


FIG. 7



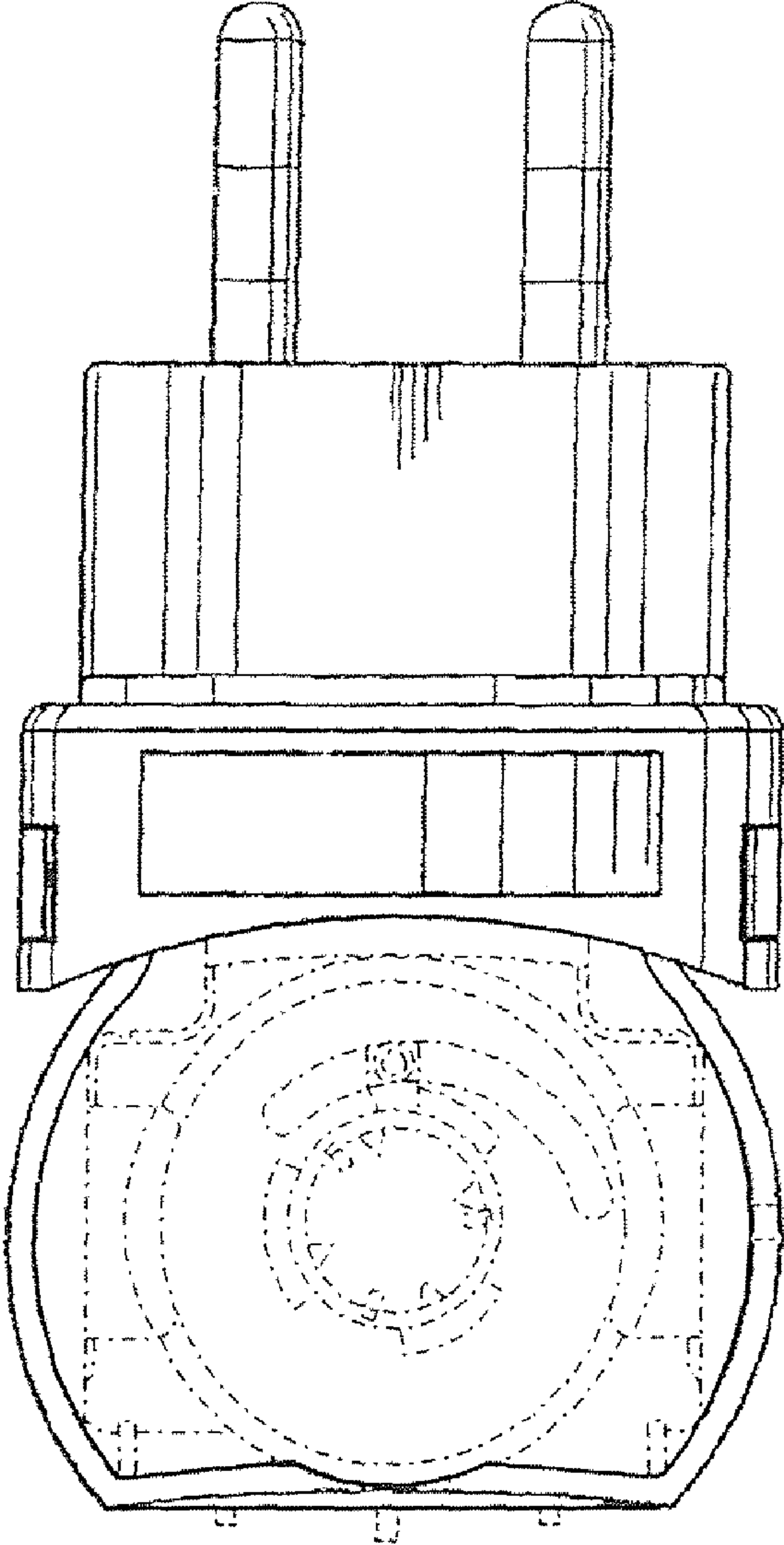


FIG. 8