



US00D625397S

(12) **United States Design Patent**
Gallo

(10) **Patent No.:** **US D625,397 S**

(45) **Date of Patent:** **** Oct. 12, 2010**

(54) **FIREPLACE ASSEMBLY**

(75) Inventor: **Christopher J. Gallo**, North Canton, OH (US)

(73) Assignee: **Heat Surge, LLC**, Canton, OH (US)

(**) Term: **14 Years**

(21) Appl. No.: **29/338,232**

(22) Filed: **Jun. 8, 2009**

(51) **LOC (9) Cl.** **23-03**

(52) **U.S. Cl.** **D23/343**

(58) **Field of Classification Search** D23/317,
D23/314, 332, 333, 334, 335, 337, 342, 351,
D23/355, 378, 370, 381, 364, 336, 341, 343,
D23/344, 348; 416/244 R, 247 R, 53.1-53.3;
392/365, 367; D6/450, 397

See application file for complete search history.

(56) **References Cited**

U.S. PATENT DOCUMENTS

5,887,388	A *	3/1999	Hempel et al.	52/27
D423,810	S *	5/2000	Dorst	D6/397
D431,646	S *	10/2000	Mattarelli	D23/404
D509,581	S *	9/2005	Rumens	D23/404
6,953,037	B2 *	10/2005	Rumens	126/512
D574,474	S *	8/2008	Carroll et al.	D23/342
D574,939	S *	8/2008	Carroll et al.	D23/342

OTHER PUBLICATIONS

<http://www.samsclub.com/shopping/navigate.do?dest=5&item=386283&pid=>; Mantel Fireplace w/ 23" Electric Firebox attached.

<http://www.electricfireplacesdirect.com>; Electric Fireplace Insert attached.

<http://www.everythingfurniture.com/classis-electric-fireplace>; Home Theater Fireplace by Classic Flame in Espresso—Anaheim—23MM705ESP-0451 attached.

<http://www.heatnglo.com/products/mantelsSurrounds/index.asp>; Crestfire Electric Series-Inserts and Fireplaces attached.

* cited by examiner

Primary Examiner—T. Chase Nelson

Assistant Examiner—Ania K Dworzecka

(74) *Attorney, Agent, or Firm*—Sand & Sebolt

(57) **CLAIM**

The ornamental design for a fireplace assembly, as shown.

DESCRIPTION

FIG. 1 is a perspective view of a fireplace assembly of the present invention;

FIG. 2 is a front elevation view of the fireplace assembly;

FIG. 3 is a rear elevation view of the fireplace assembly;

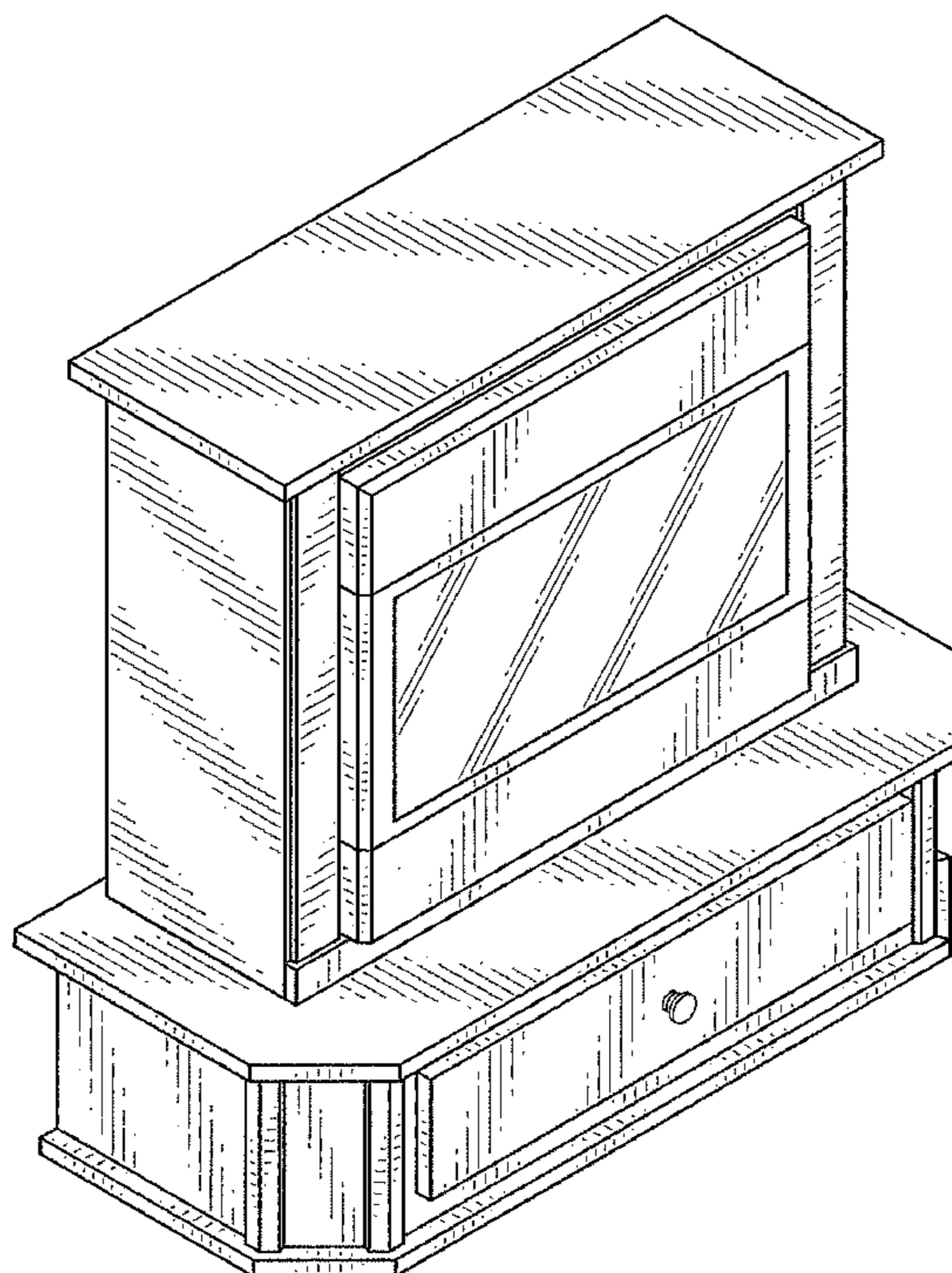
FIG. 4 is a top plan view of the fireplace assembly;

FIG. 5 is a bottom plan view of the fireplace assembly;

FIG. 6 is a right elevation view of the fireplace assembly; and,

FIG. 7 is a left elevation view of the fireplace assembly.

1 Claim, 6 Drawing Sheets



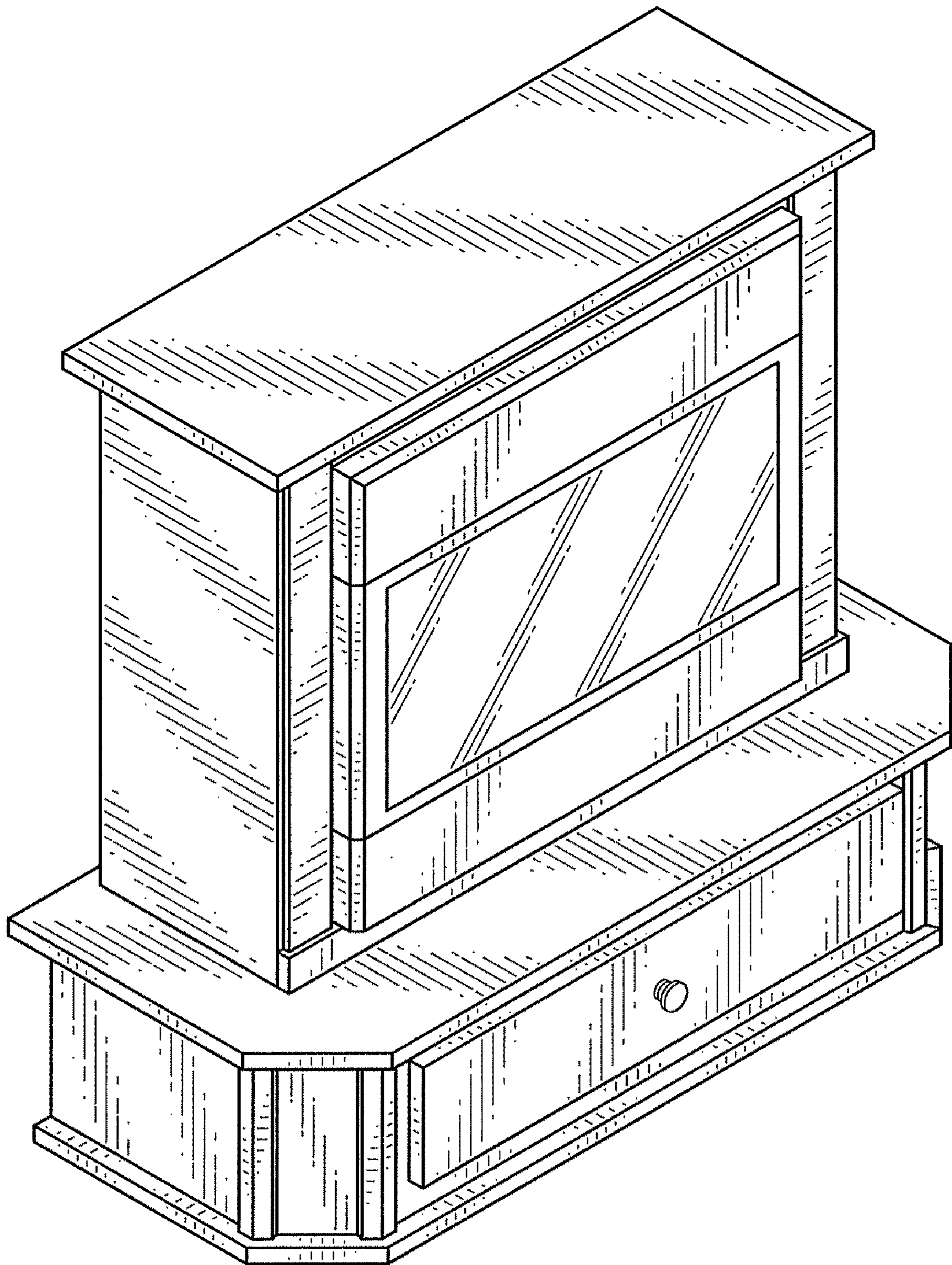


FIG-1

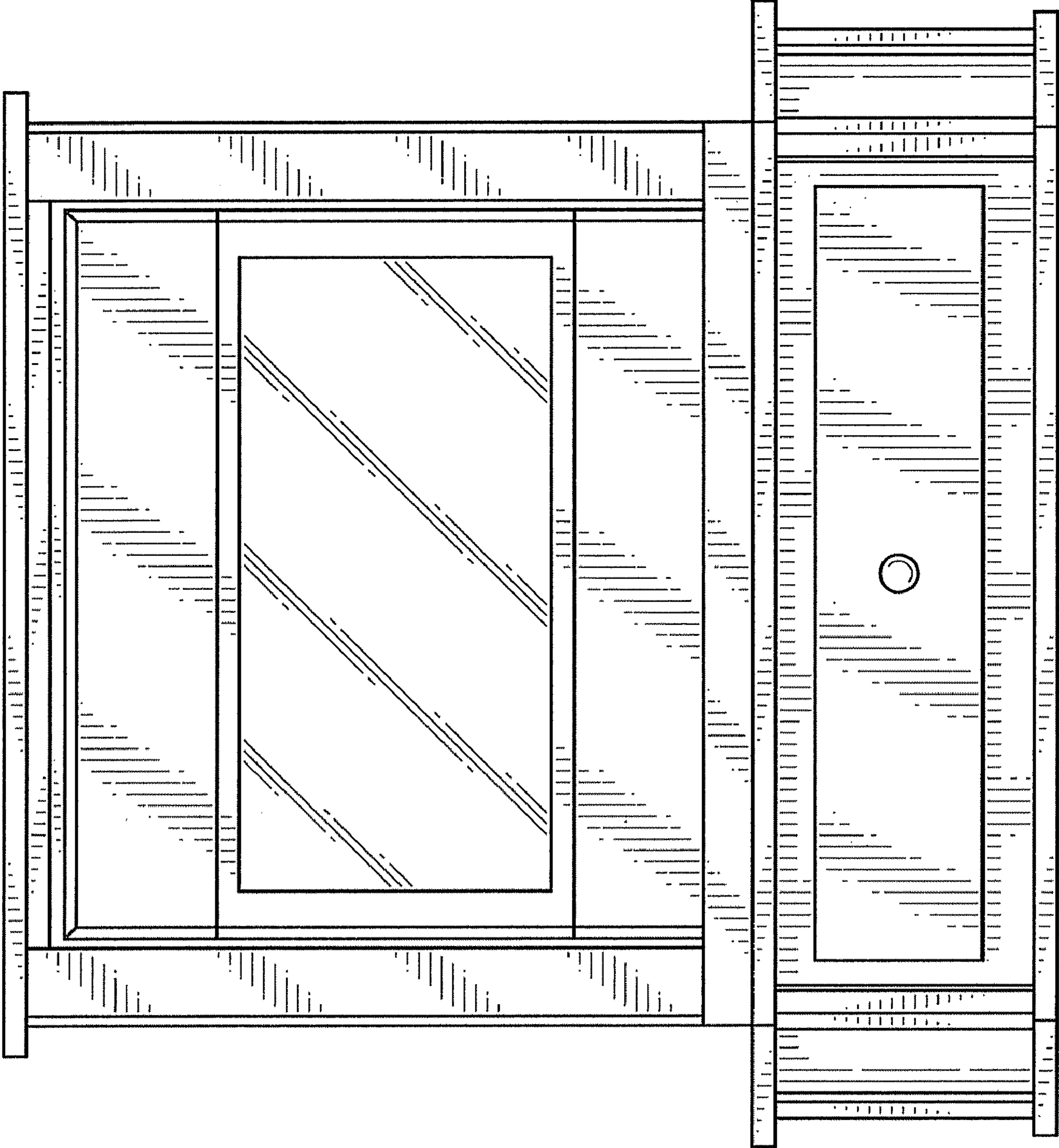


FIG-2

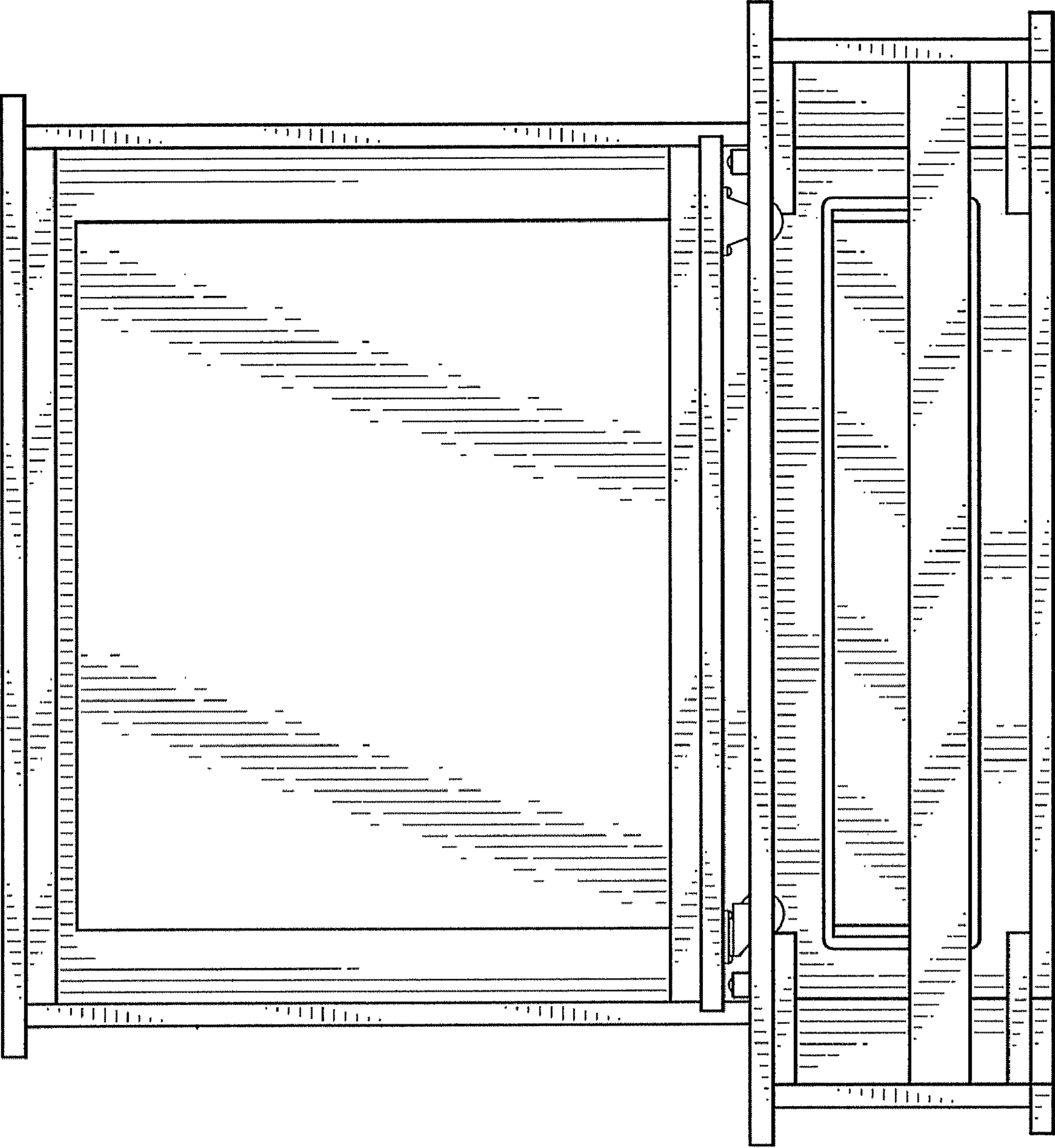


FIG-3

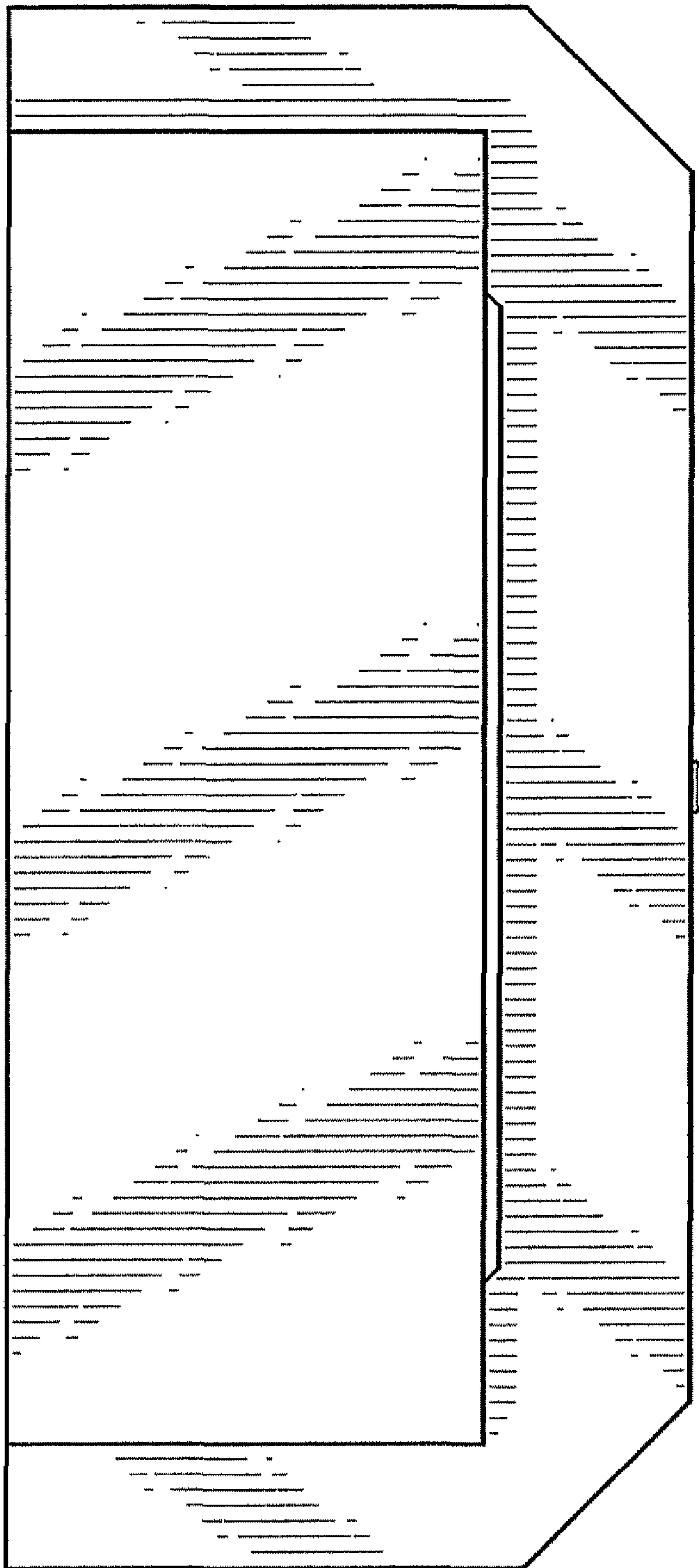


FIG-4

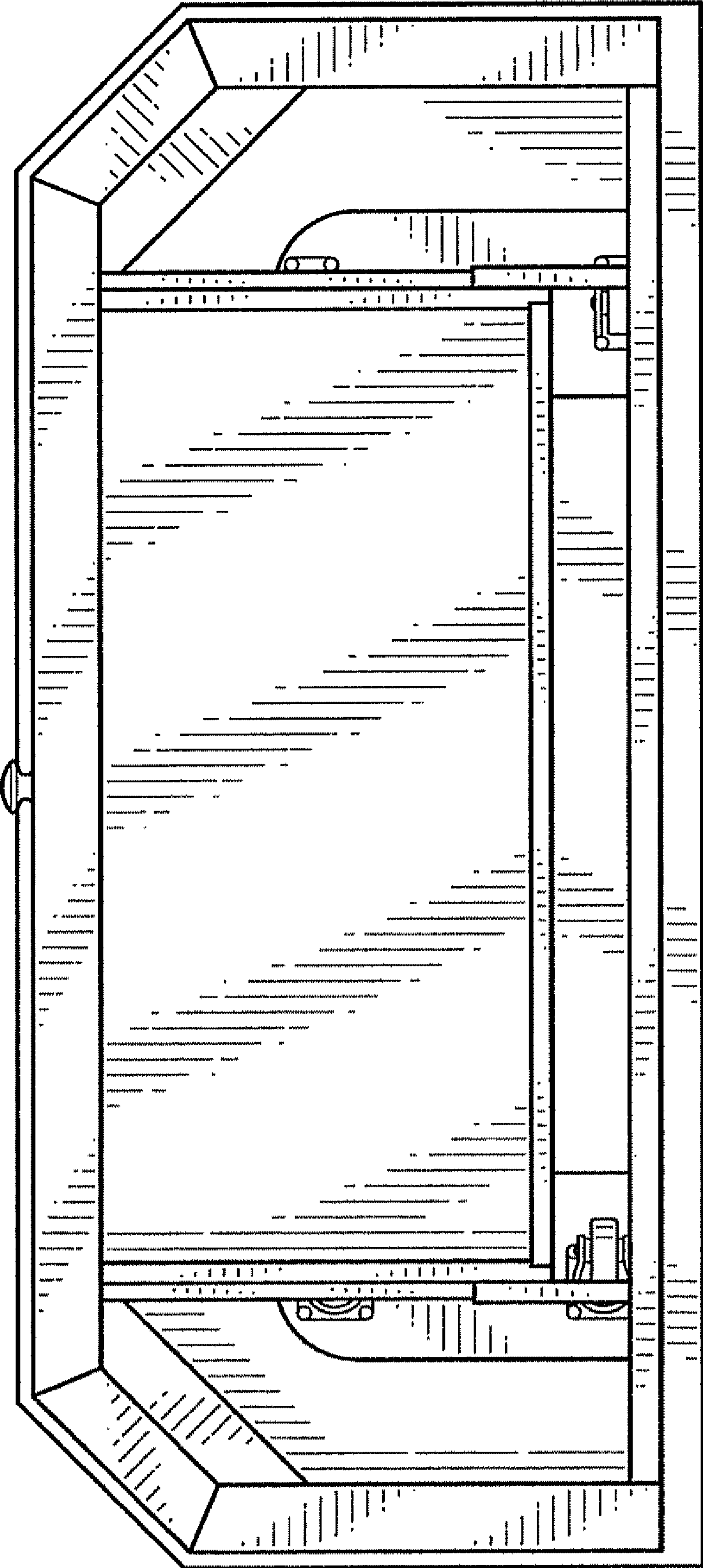


FIG-5

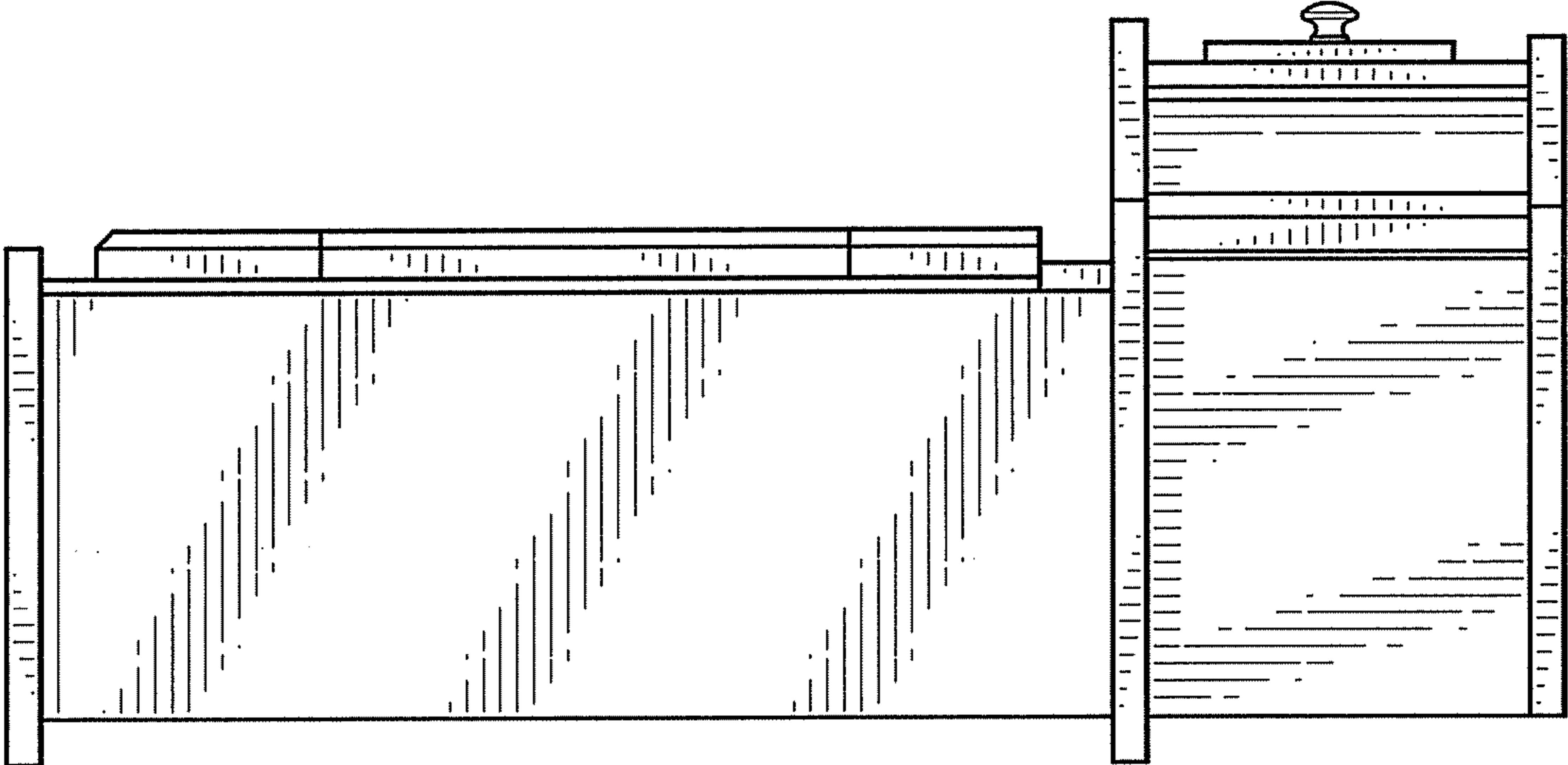


FIG-7

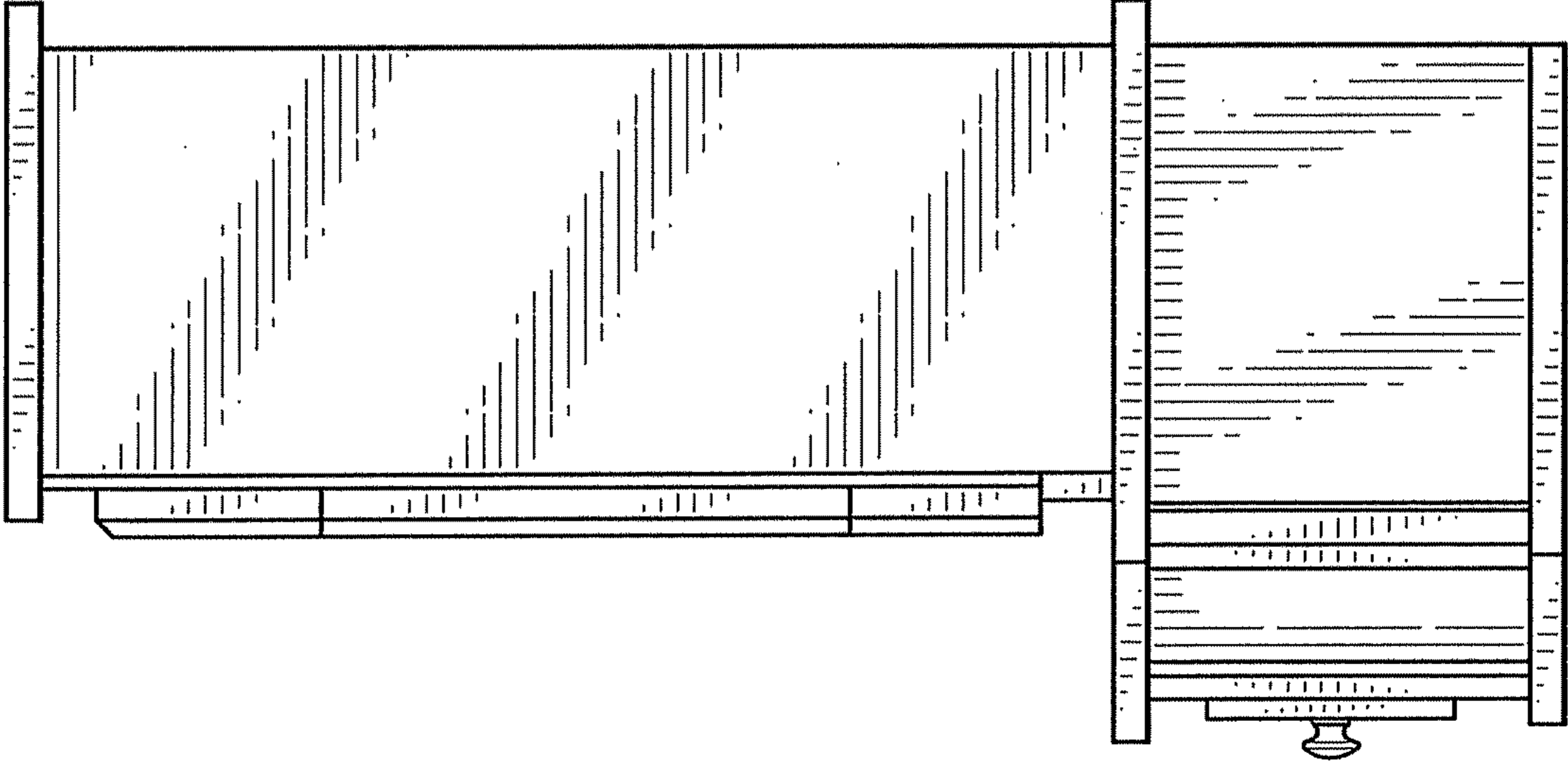


FIG-6