



US00D625396S

(12) **United States Design Patent**
Gismervik

(10) **Patent No.:** **US D625,396 S**

(45) **Date of Patent:** **** Oct. 12, 2010**

(54) **LEVEL SENSOR AND HEATING UNIT**

4,527,533 A * 7/1985 Laramee 123/557

4,617,456 A * 10/1986 Richards et al. 219/523

D415,264 S * 10/1999 Thweatt, Jr. D23/323

(75) Inventor: **Øystein Gismervik**, Fyllingsdalen (NO)

(73) Assignee: **Wema-System AS**, Laksevag (NO)

* cited by examiner

(**) Term: **14 Years**

Primary Examiner—T. Chase Nelson

Assistant Examiner—Ania K Dworzecka

(21) Appl. No.: **29/335,753**

(74) *Attorney, Agent, or Firm*—Fredrikson & Byron, P.A.

(22) Filed: **Apr. 21, 2009**

(57) **CLAIM**

(51) **LOC (9) Cl.** **23-03**

I claim the ornamental design for level sensor and heating unit, as shown and described.

(52) **U.S. Cl.** **D23/316; D10/101**

(58) **Field of Classification Search** D23/314,
D23/316, 323, 322, 321; D15/7; 392/308,
392/341; 219/628, 630

DESCRIPTION

See application file for complete search history.

FIG. 1 is a front perspective view of a level sensor and heating unit showing my new design;

FIG. 2 is a left side elevation view thereof;

FIG. 3 is a top plan view thereof; and,

FIG. 4 is a front elevation view.

(56) **References Cited**

In the drawings, the broken lines depict unclaimed subject matter only and form no part of the claimed design.

U.S. PATENT DOCUMENTS

1,190,289 A * 7/1916 Herz 392/481

1,522,992 A * 1/1925 Abbott 219/538

2,070,635 A * 2/1937 White 219/525

D139,313 S * 10/1944 Landerman D23/323

2,902,581 A * 9/1959 Stibel 219/513

1 Claim, 4 Drawing Sheets

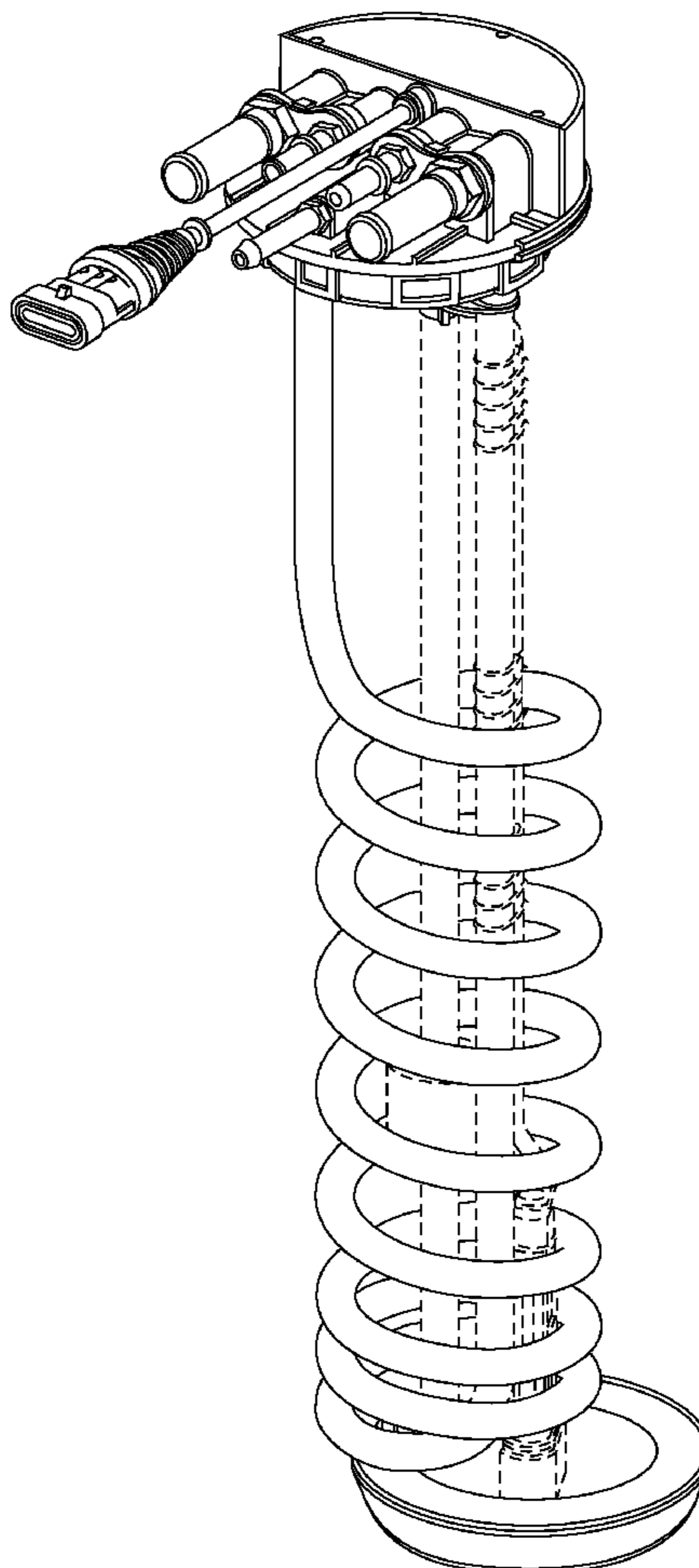


Fig. 1

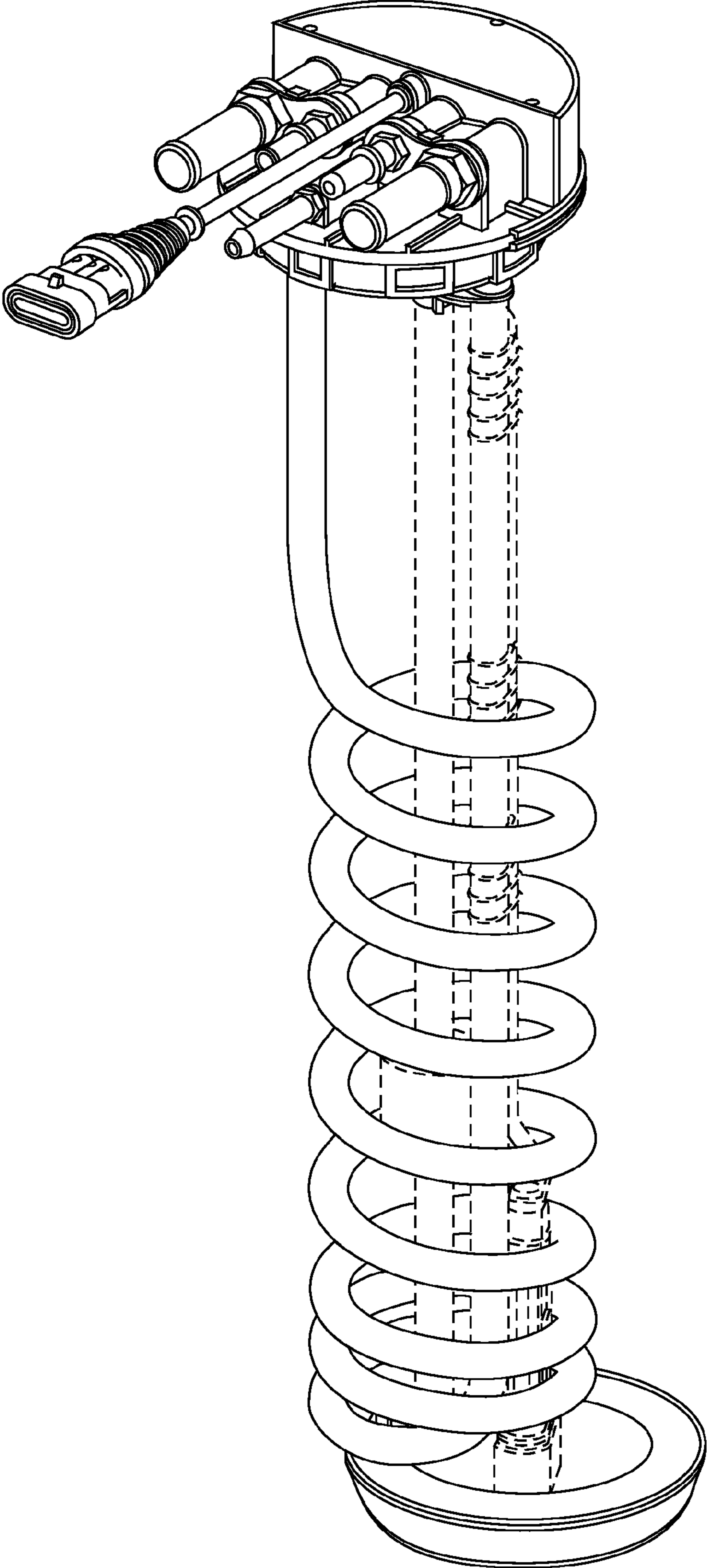


Fig. 2

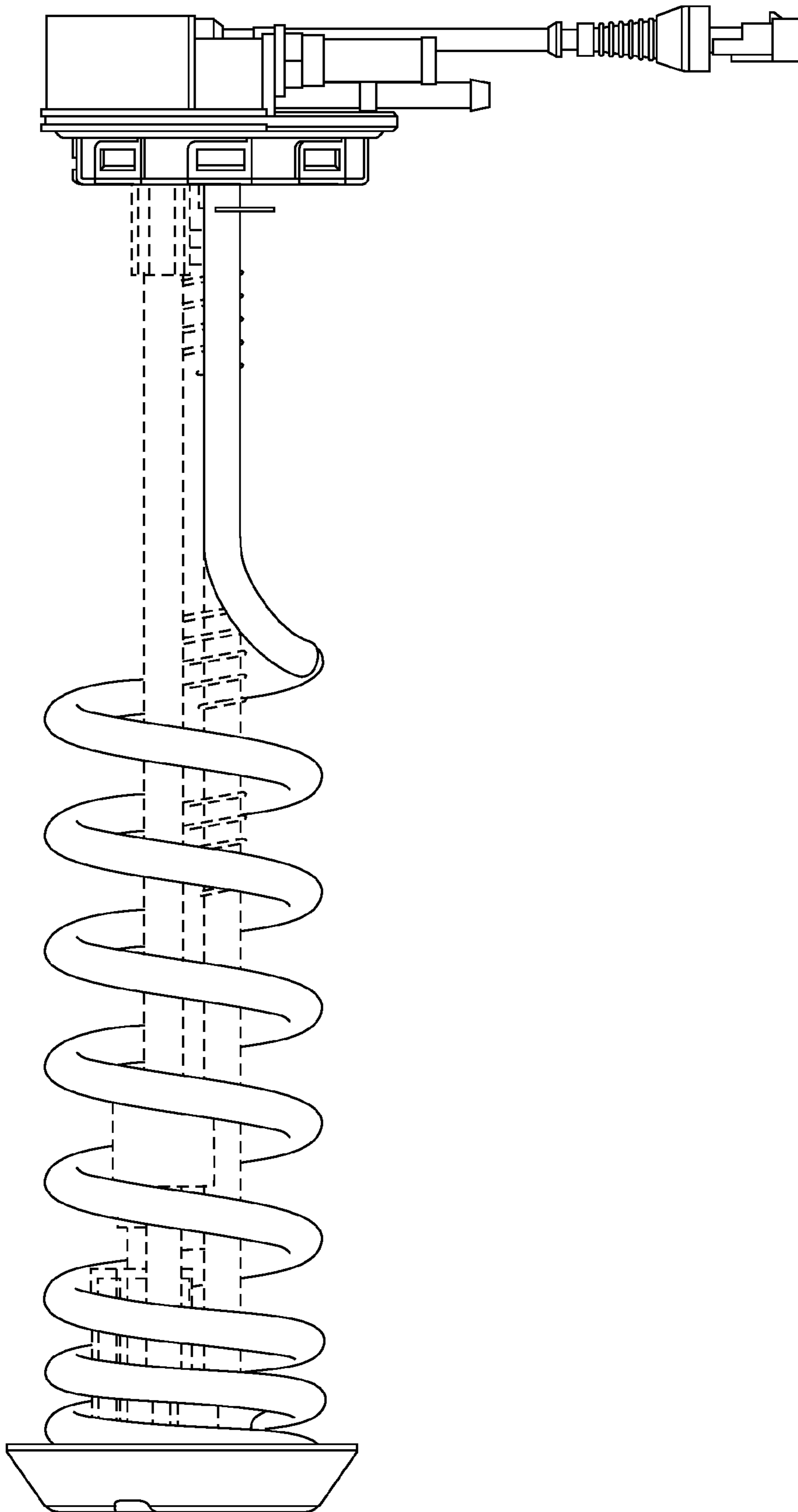


Fig. 3

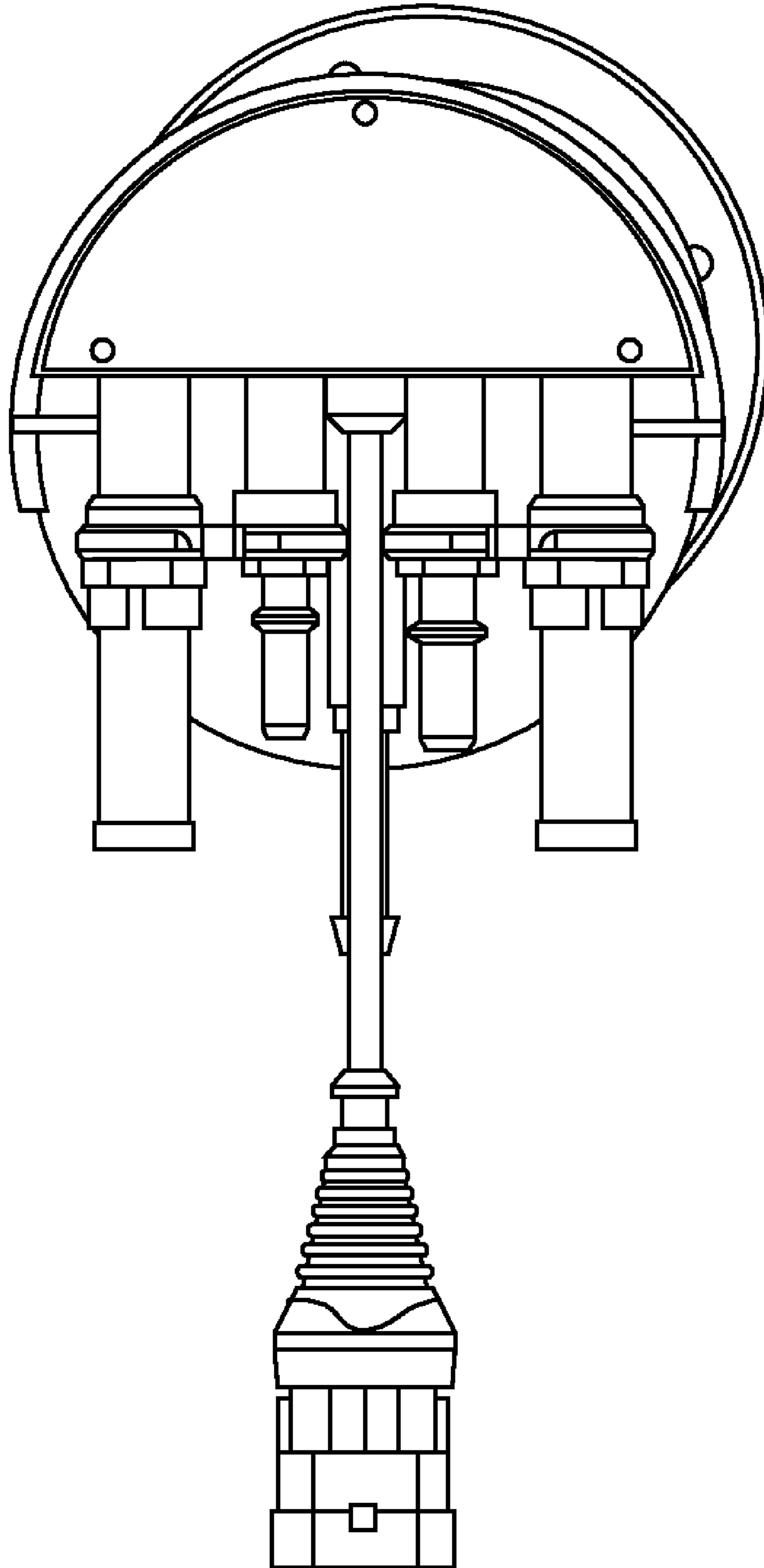


Fig. 4

