



US00D625395S

(12) **United States Design Patent**
Guzzoni

(10) **Patent No.:** **US D625,395 S**

(45) **Date of Patent:** **** Oct. 12, 2010**

(54) **PLATE FOR FLUID DISTRIBUTION PIPE**

(75) Inventor: **Paolo Guzzoni**, Brescia (IT)

(73) Assignee: **Teseo S.r.l.**, Desenzano del Garda,
Brescia (IT)

(**) Term: **14 Years**

(21) Appl. No.: **29/329,113**

(22) Filed: **Dec. 9, 2008**

(30) **Foreign Application Priority Data**

Jun. 10, 2008 (IT) BS2008O0030

(51) **LOC (9) Cl.** **23-01**

(52) **U.S. Cl.** **D23/262**

(58) **Field of Classification Search** D23/259–269;
285/231–232, 95, 205, 197, 370; 277/910,
277/602, 630

See application file for complete search history.

(56) **References Cited**

U.S. PATENT DOCUMENTS

- D243,655 S * 3/1977 Matousek et al. D8/354
- D310,868 S * 9/1990 Wilder D23/265
- D321,461 S * 11/1991 Hamilton D8/27
- D332,612 S * 1/1993 Klus D15/5
- D362,231 S * 9/1995 Chen D13/147
- D396,174 S * 7/1998 Schultz et al. D15/17

- D446,319 S * 8/2001 Rubenacker D25/199
- D566,525 S * 4/2008 DeCosta D8/353
- D597,652 S * 8/2009 Tang D23/386
- 2003/0173777 A1* 9/2003 Jeong 285/197
- 2008/0018103 A1* 1/2008 Laib 285/197

* cited by examiner

Primary Examiner—T. Chase Nelson

Assistant Examiner—Eric L Goodman

(74) *Attorney, Agent, or Firm*—Shoemaker and Mattare

(57) **CLAIM**

The ornamental design for a plate for fluid distribution pipe, as shown and described.

DESCRIPTION

FIG. 1 is a perspective view of a plate for fluid distribution pipe, showing my new design from the top, front and right side; and,

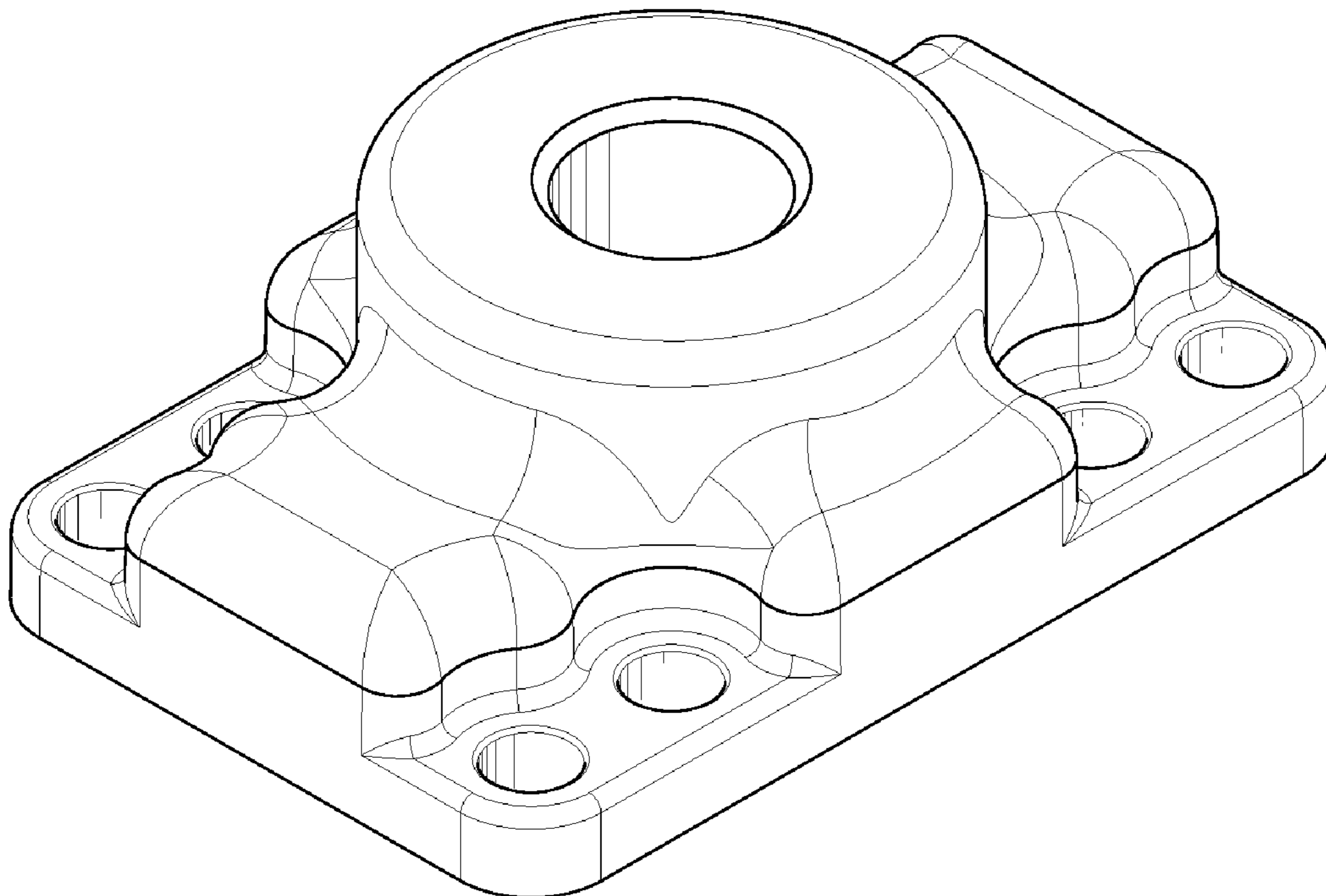
FIG. 2 is a perspective view thereof, from the bottom, rear and left side.

The view of the plate from the top, rear and left side is identical to FIG. 1.

The view of the plate from the bottom, front and right side is identical to FIG. 2.

The features shown in broken lines in FIG. 2 form no part of the claimed design.

1 Claim, 1 Drawing Sheet



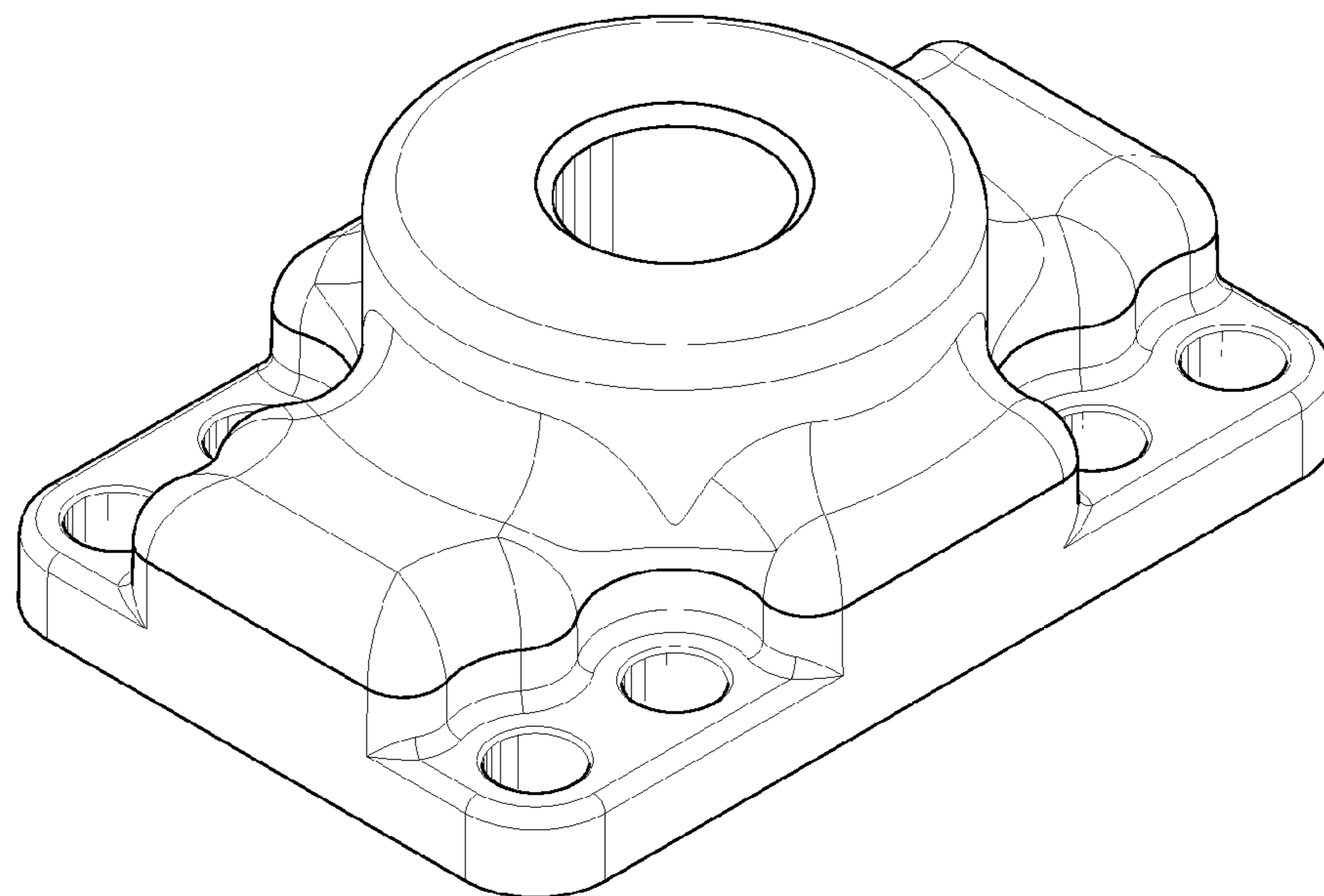


Fig. 1

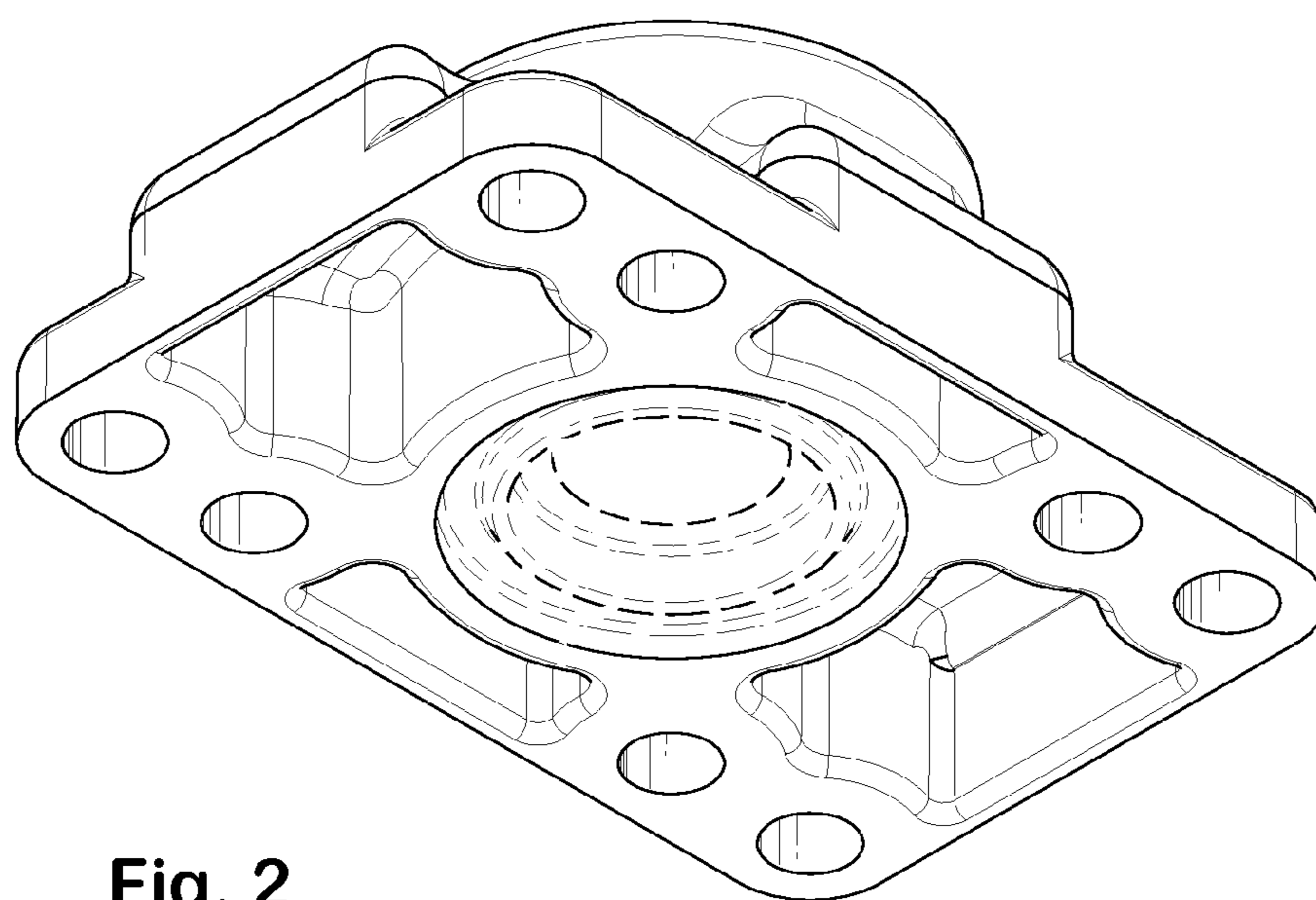


Fig. 2