



US00D625394S

(12) **United States Design Patent**
Stein

(10) **Patent No.:** **US D625,394 S**

(45) **Date of Patent:** **** Oct. 12, 2010**

(54) **FLOW REGULATOR**

D609,783 S * 2/2010 Blum D23/249
D609,784 S * 2/2010 Grether D23/249

(75) Inventor: **Alexander Stein**, Ihringen (DE)

* cited by examiner

(73) Assignee: **Neoperl GmbH**, Mullheim (DE)

Primary Examiner—Cathron C. Brooks

Assistant Examiner—Maurice Stevens

(**) Term: **14 Years**

(74) *Attorney, Agent, or Firm*—Volpe and Koenig, P.C.

(21) Appl. No.: **29/354,983**

(57) **CLAIM**

(22) Filed: **Feb. 1, 2010**

The ornamental design for a flow regulator, as shown and described.

(30) **Foreign Application Priority Data**

Nov. 10, 2009 (EM) 1177364

DESCRIPTION

(51) **LOC (9) Cl.** **23-01**

FIG. 1 is a top, front perspective view of a first embodiment of a flow regulator according to my design;

(52) **U.S. Cl.** **D23/249**

FIG. 2 is a bottom, rear perspective view thereof;

(58) **Field of Classification Search** D23/213,
D23/233–237, 244–249, 257, 260; 138/37,
138/40–42; 239/3, 428.5, 552, 553, 553.5;
261/DIG. 22

FIG. 3 is a front elevational view thereof;

FIG. 4 is a right side elevational view thereof;

See application file for complete search history.

FIG. 5 is a rear elevational view thereof;

FIG. 6 is a top plan view thereof; and,

FIG. 7 is a bottom view thereof.

(56) **References Cited**

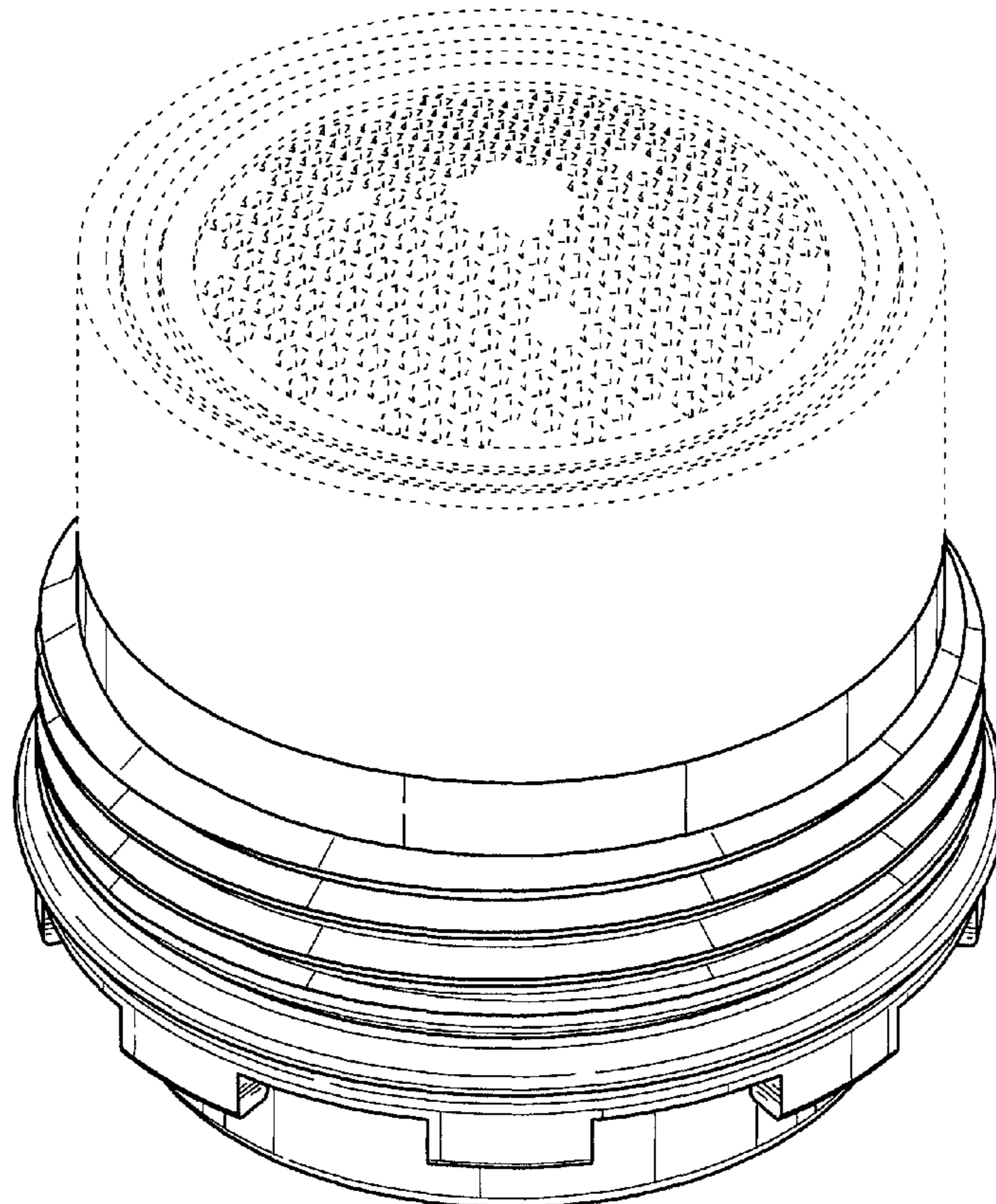
The broken lines shown in the drawings form no part of the claimed design.

U.S. PATENT DOCUMENTS

D604,806 S * 11/2009 Blum D23/233

D605,732 S * 12/2009 Stein D23/249

1 Claim, 7 Drawing Sheets



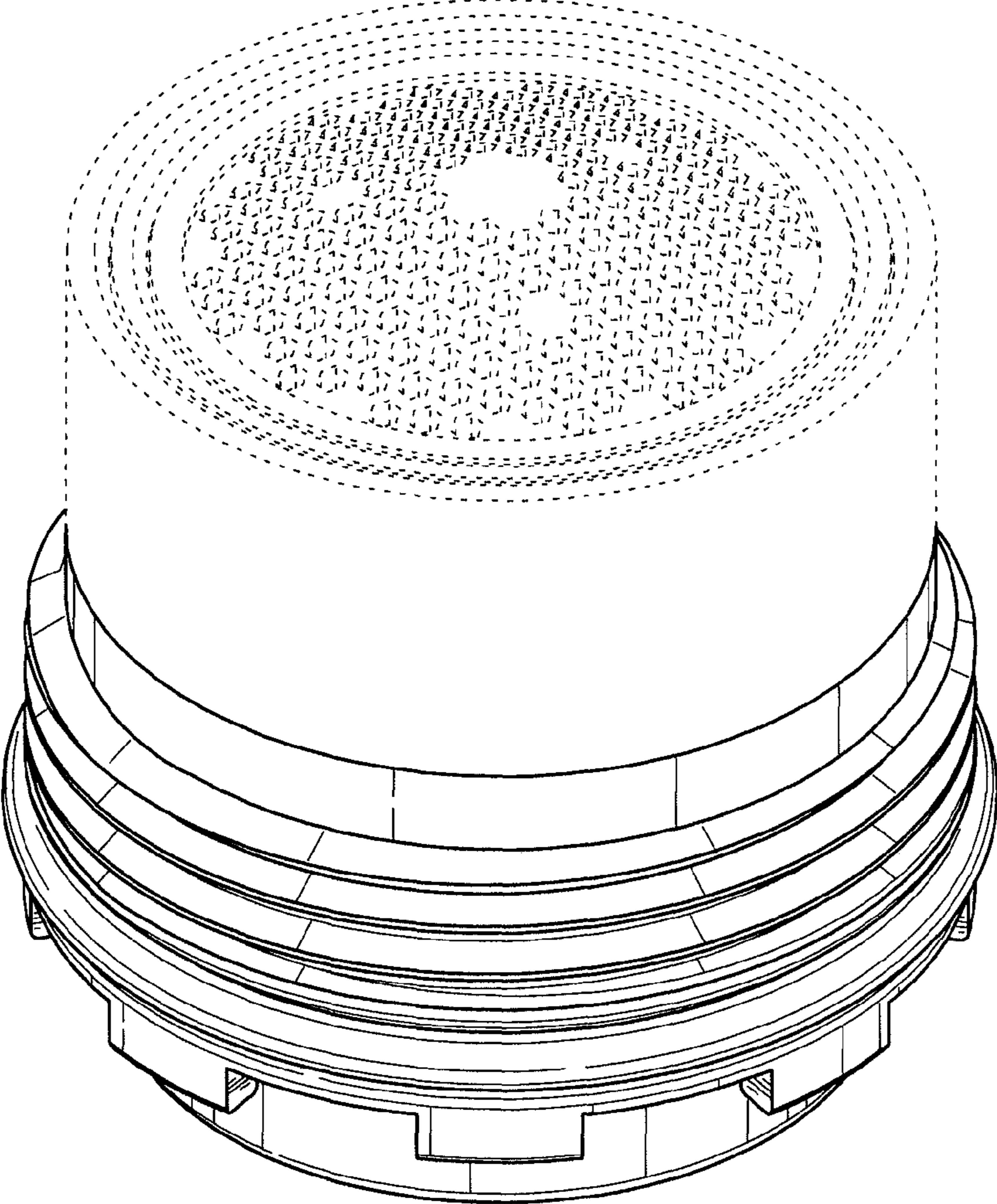


FIG. 1

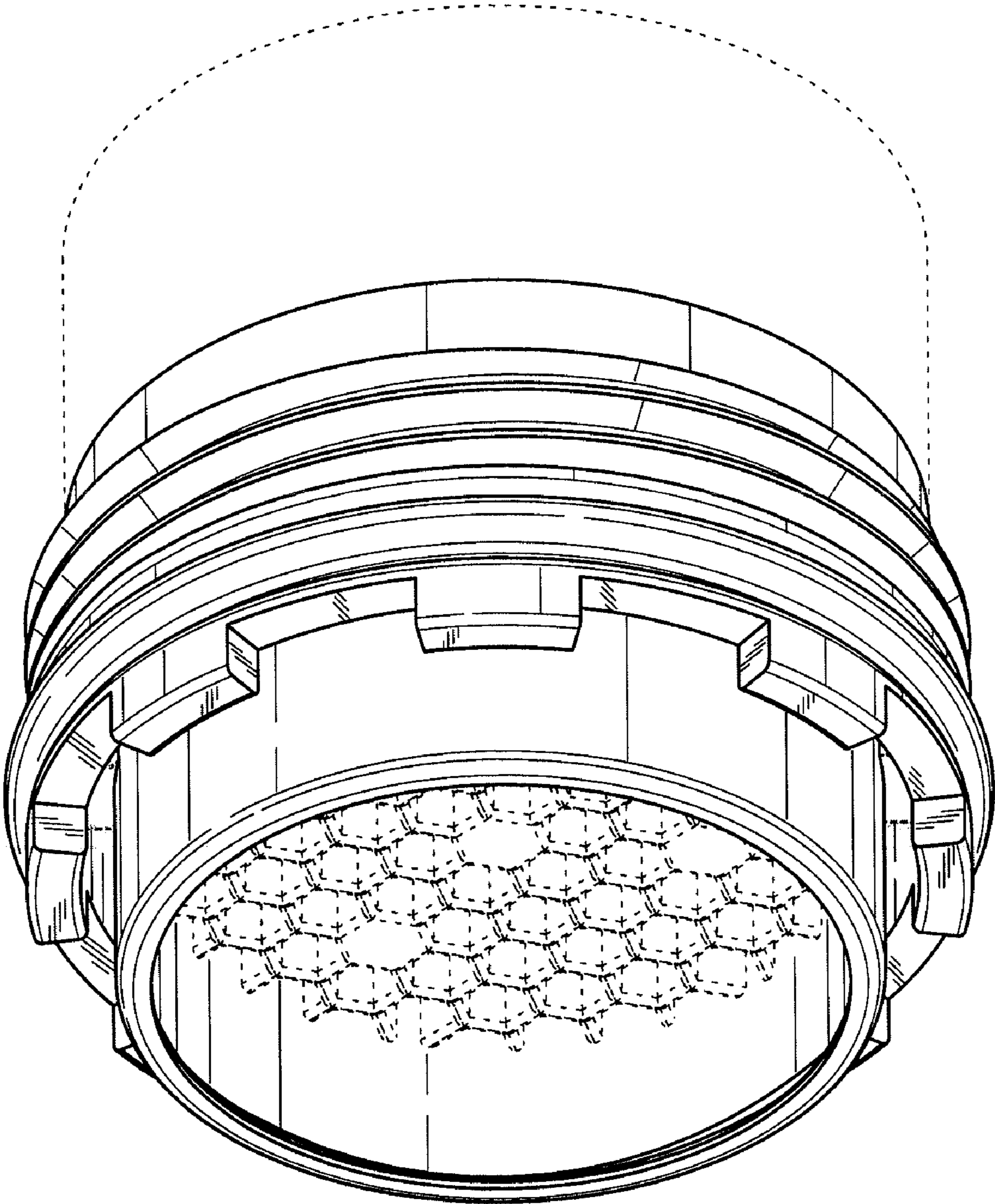


FIG. 2

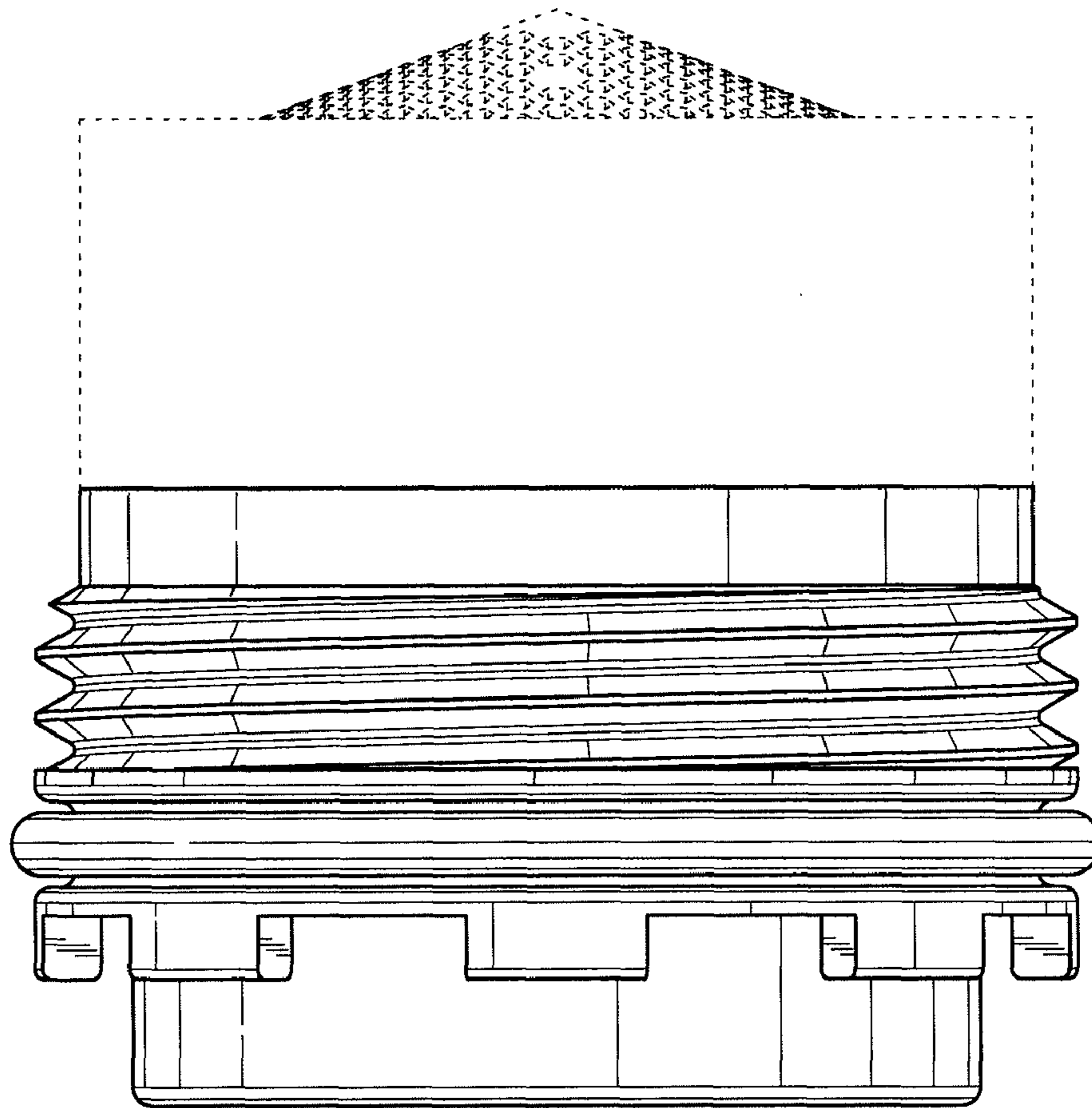


FIG. 3

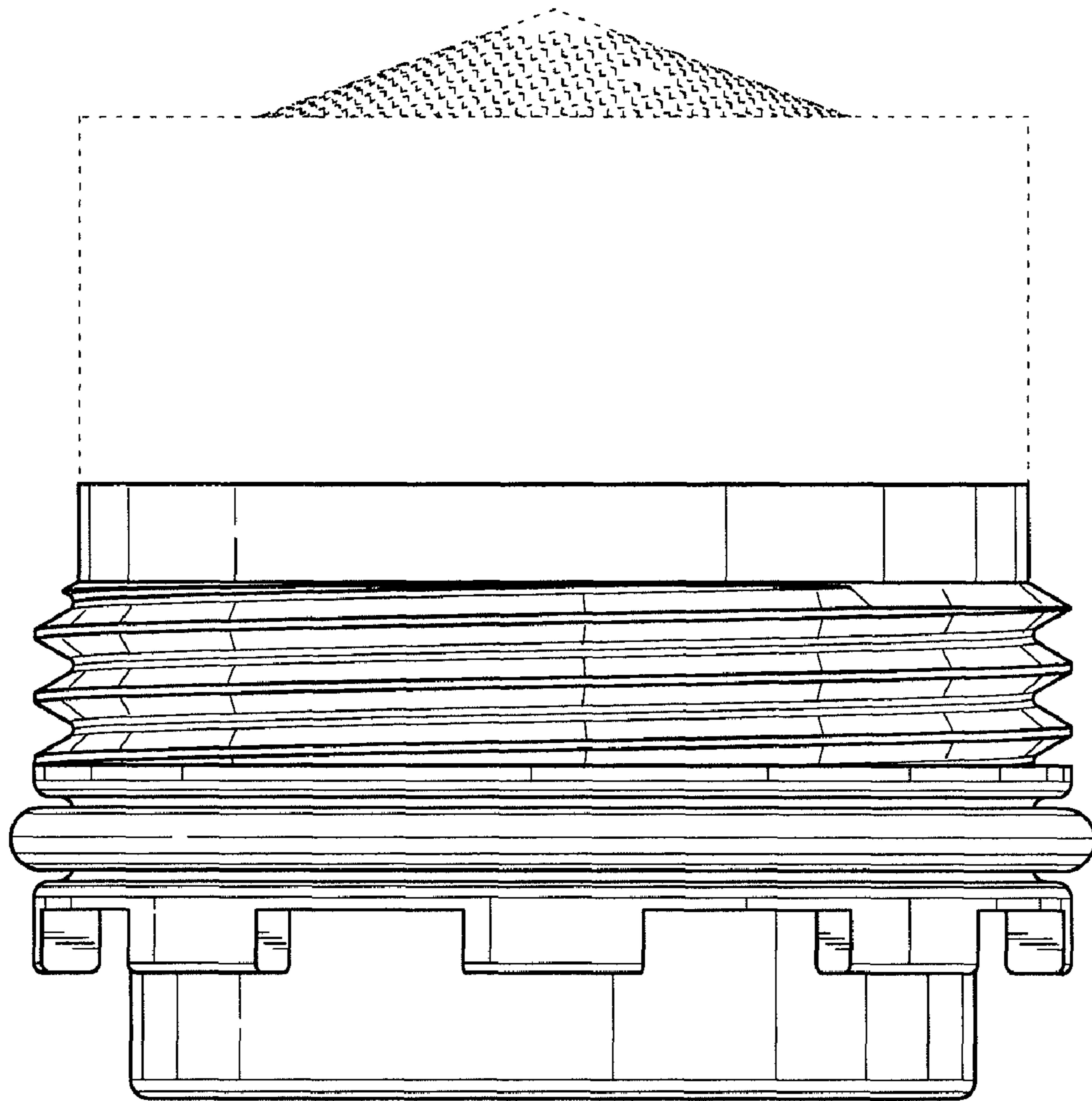


FIG. 4

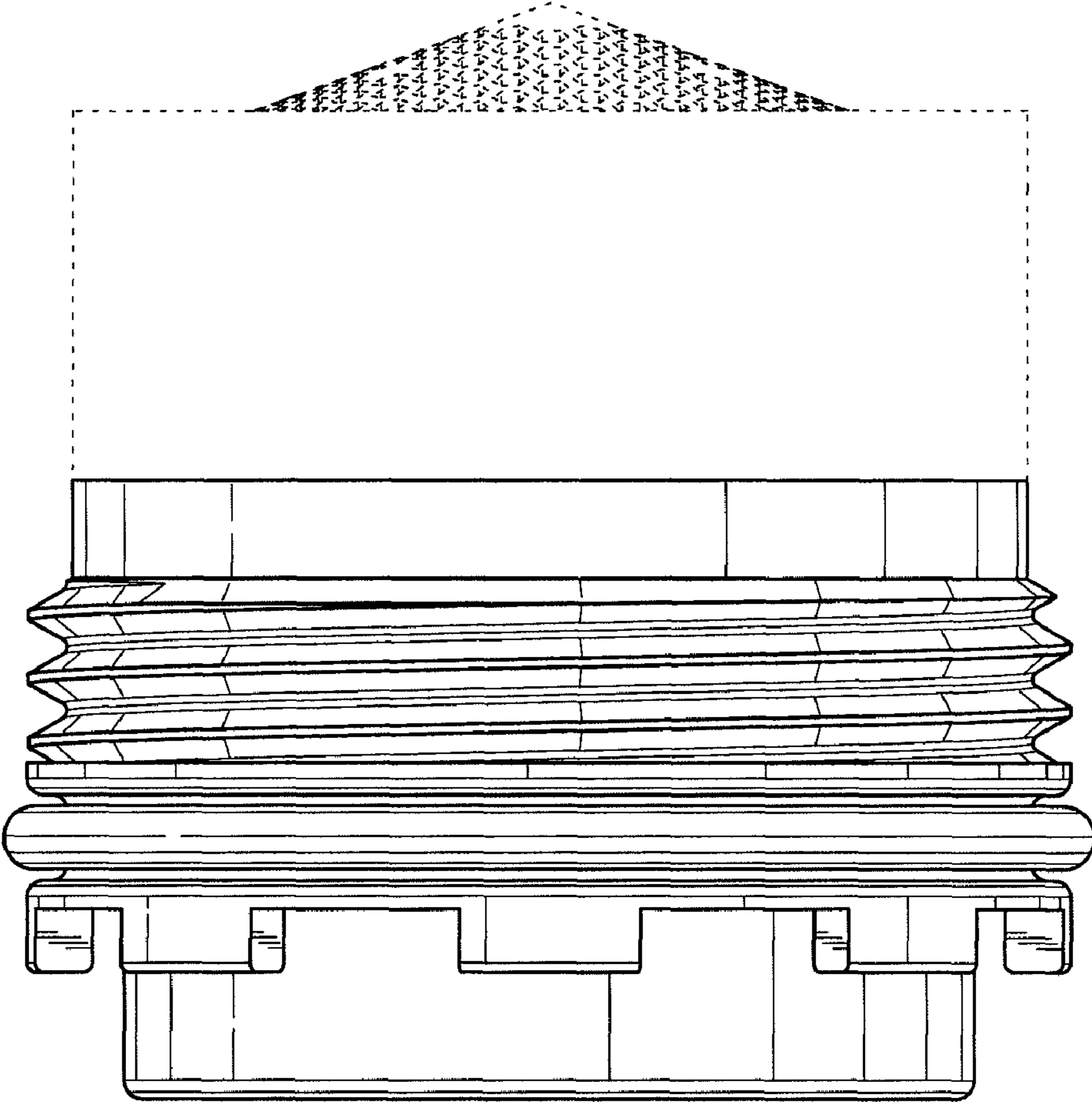


FIG. 5

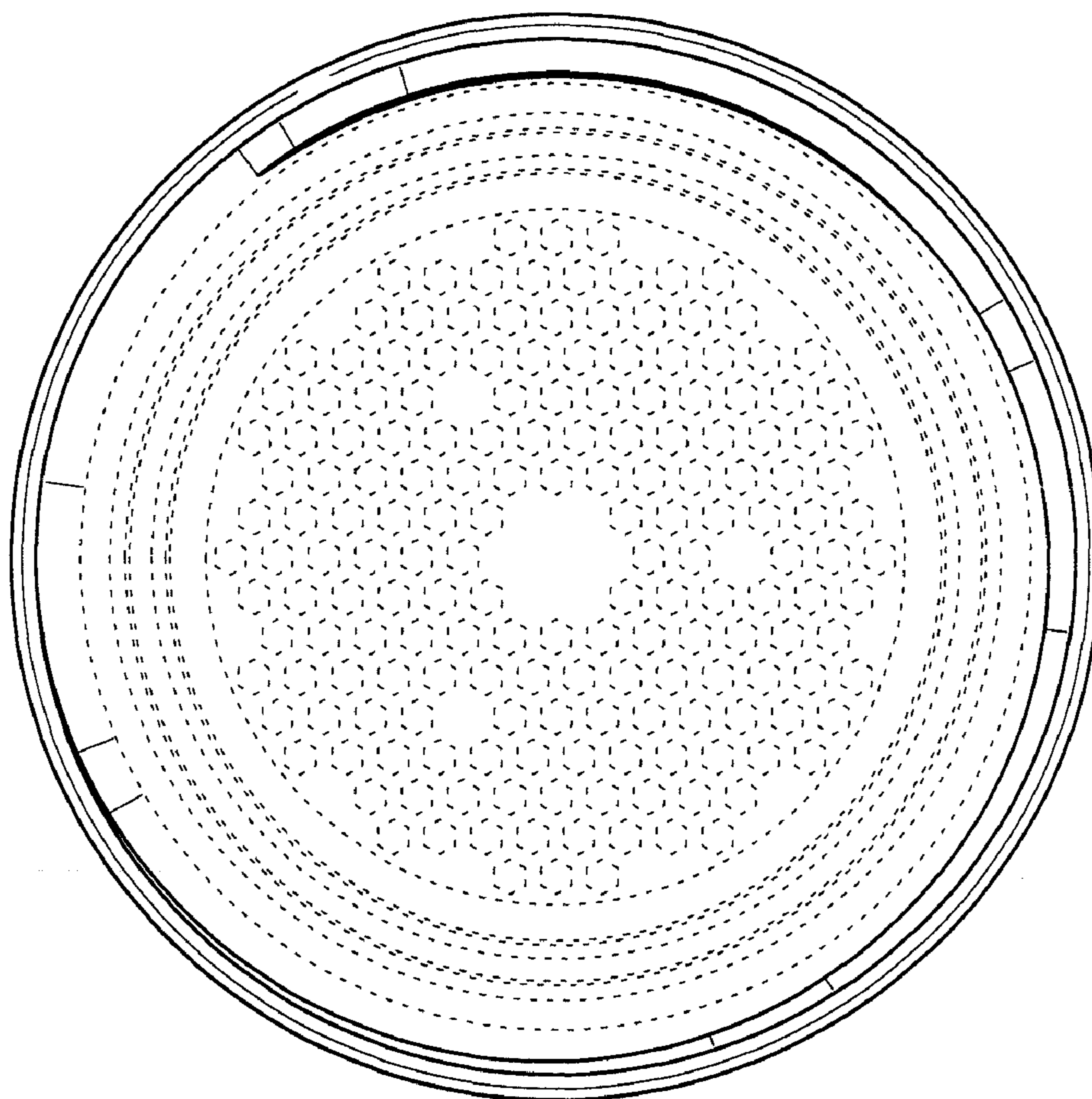


FIG. 6

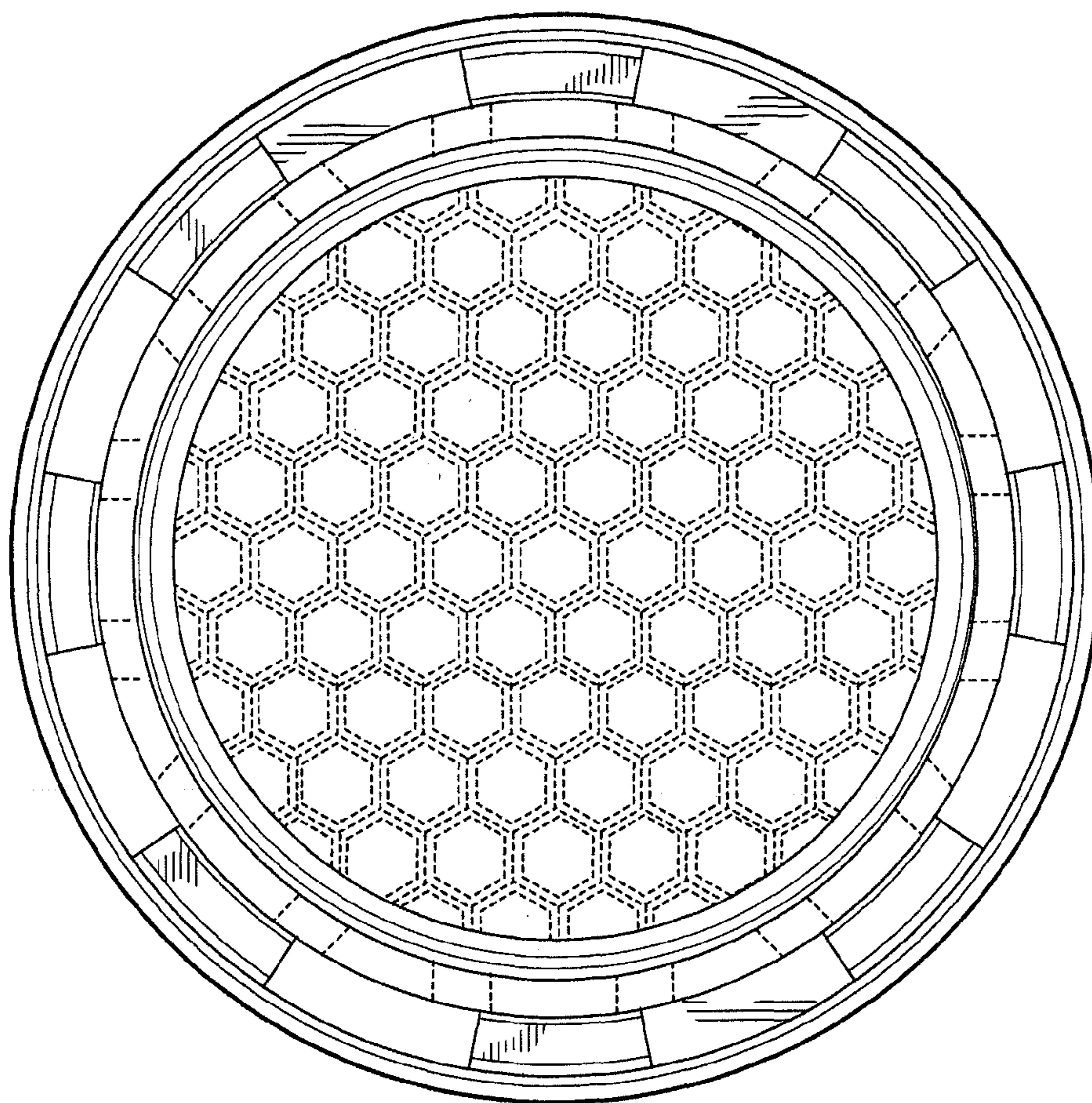


FIG. 7