



US00D625393S

(12) **United States Design Patent**
Sieger

(10) **Patent No.:** **US D625,393 S**

(45) **Date of Patent:** **** Oct. 12, 2010**

(54) **DECK-MOUNT FAUCET**

D573,231 S * 7/2008 Kulig D23/242
D580,016 S * 11/2008 Downey D23/238

(75) Inventor: **Michael Sieger**, Sassenberg (DE)

* cited by examiner

(73) Assignee: **Aloys F. Dornbracht GmbH & Co. KG**, Iserlohn (DE)

Primary Examiner—Robert A Delehanty
(74) *Attorney, Agent, or Firm*—Andrew Wilford

(**) Term: **14 Years**

(57) **CLAIM**

(21) Appl. No.: **29/359,968**

The ornamental design for a deck-mount faucet, as shown and described.

(22) Filed: **Apr. 19, 2010**

(30) **Foreign Application Priority Data**

DESCRIPTION

Oct. 19, 2009 (EM) 001171987

FIG. 1 is a perspective view from above and to the right of the instant invention, the deck it is mounted on being shown in dashed lines;

(51) **LOC (9) Cl.** **23-01**

(52) **U.S. Cl.** **D23/242**

FIG. 2 is a perspective view from above and to the left of the instant invention;

(58) **Field of Classification Search** D23/238,
D23/241–243, 250, 252, 255, 257; 4/675–678;
137/801

FIGS. 3 and 4 are side elevational views respectively from the left and the right of the invention;

See application file for complete search history.

FIGS. 5 and 6 are front and back elevational views of the invention; and,

(56) **References Cited**

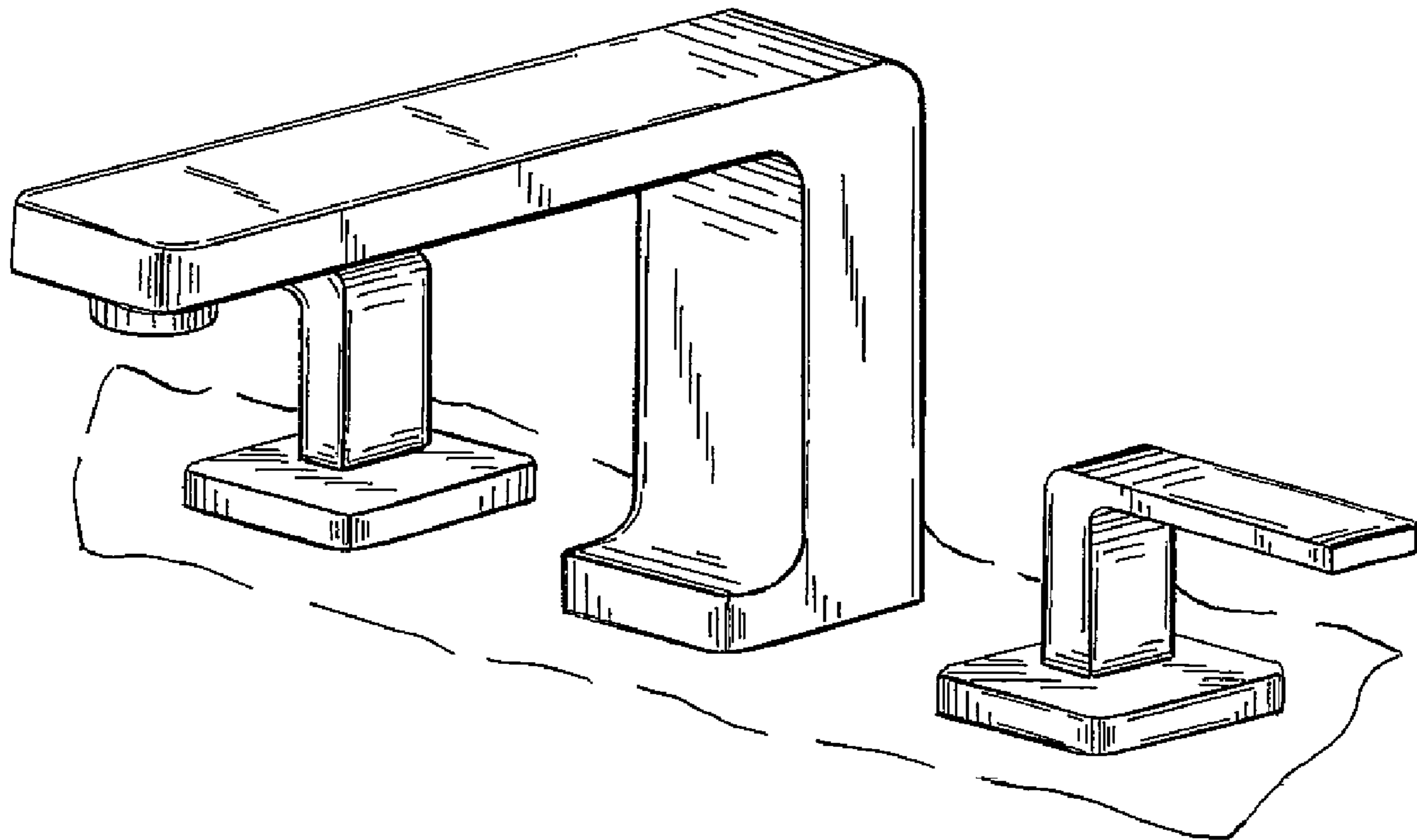
FIG. 7 is a top view of the invention.

U.S. PATENT DOCUMENTS

The broken line showing environment is included for the purpose of illustration that forms no part of the claimed design.

- D517,655 S * 3/2006 Ogata et al. D23/241
- D533,639 S * 12/2006 Hoernig D23/242
- D546,421 S * 7/2007 Kulig et al. D23/241
- D557,381 S * 12/2007 Garner D23/241

1 Claim, 5 Drawing Sheets



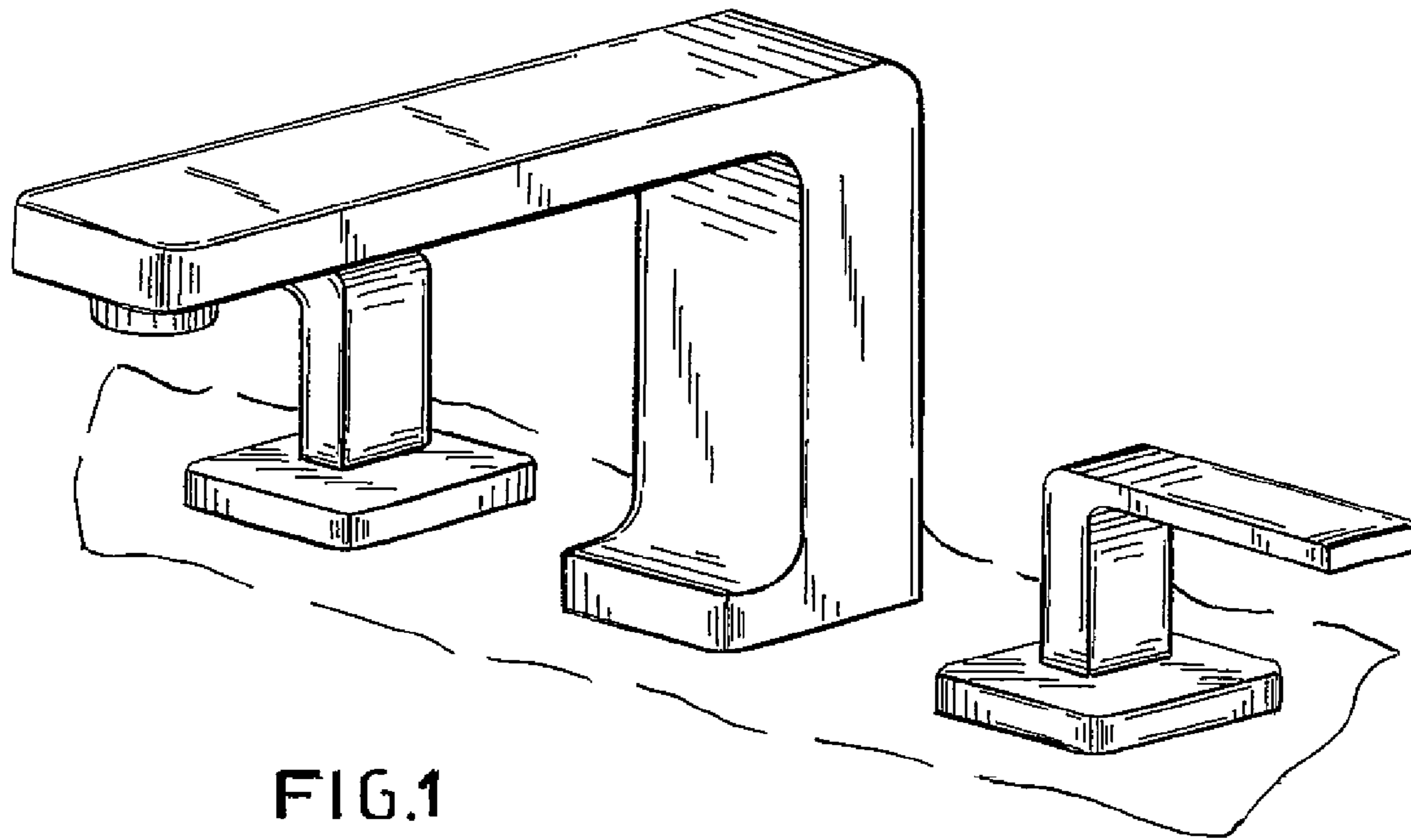


FIG.1

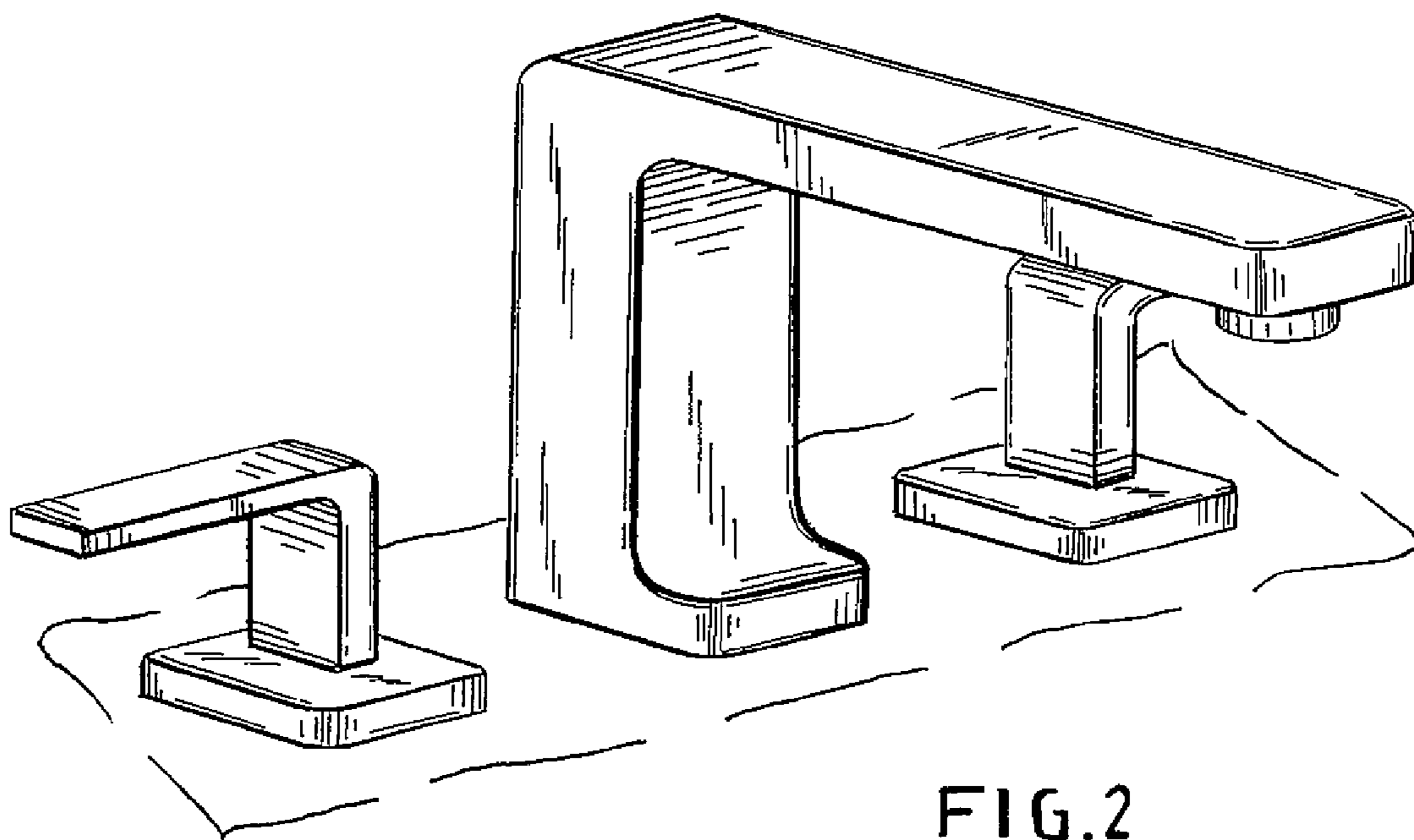


FIG.2

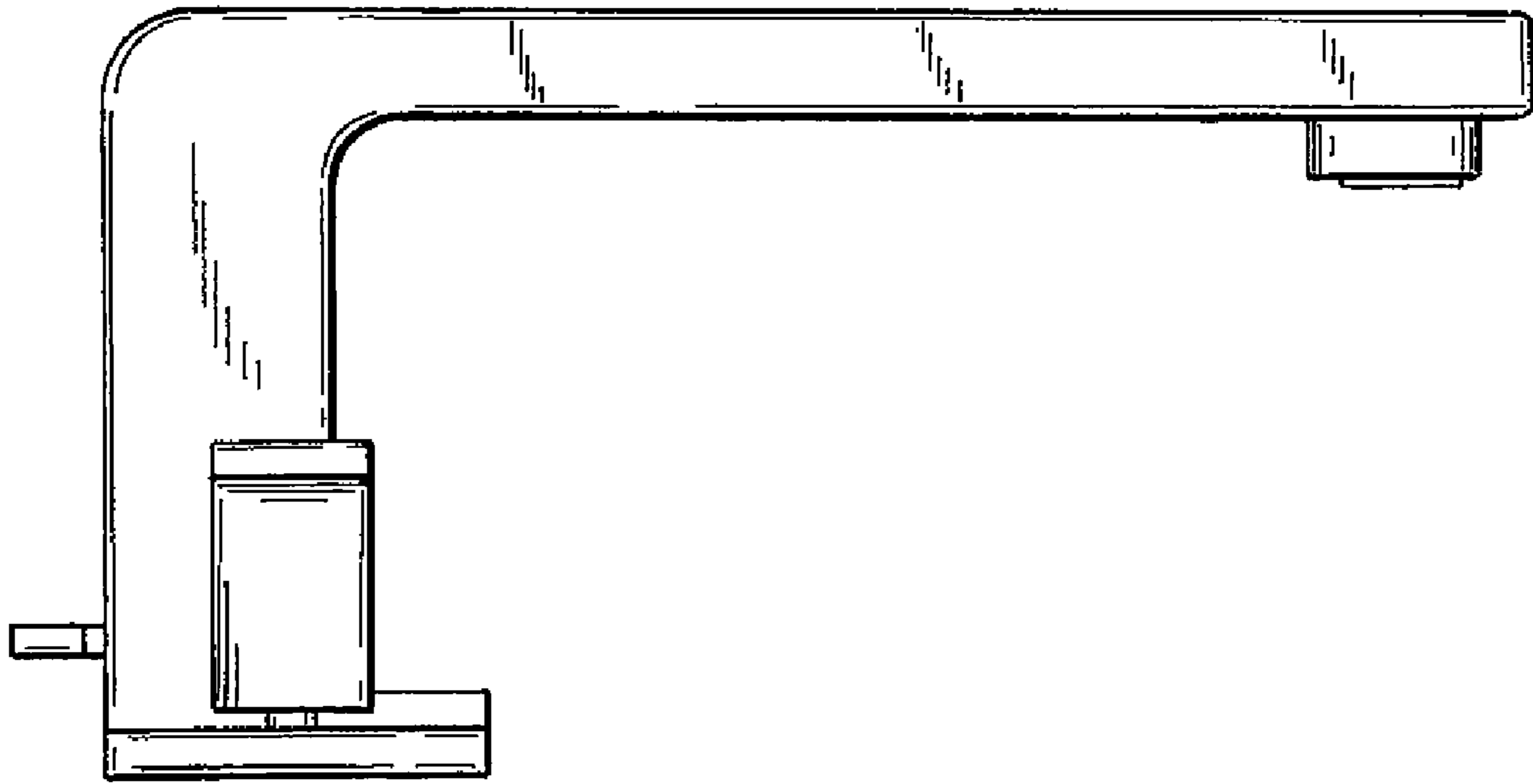


FIG.3

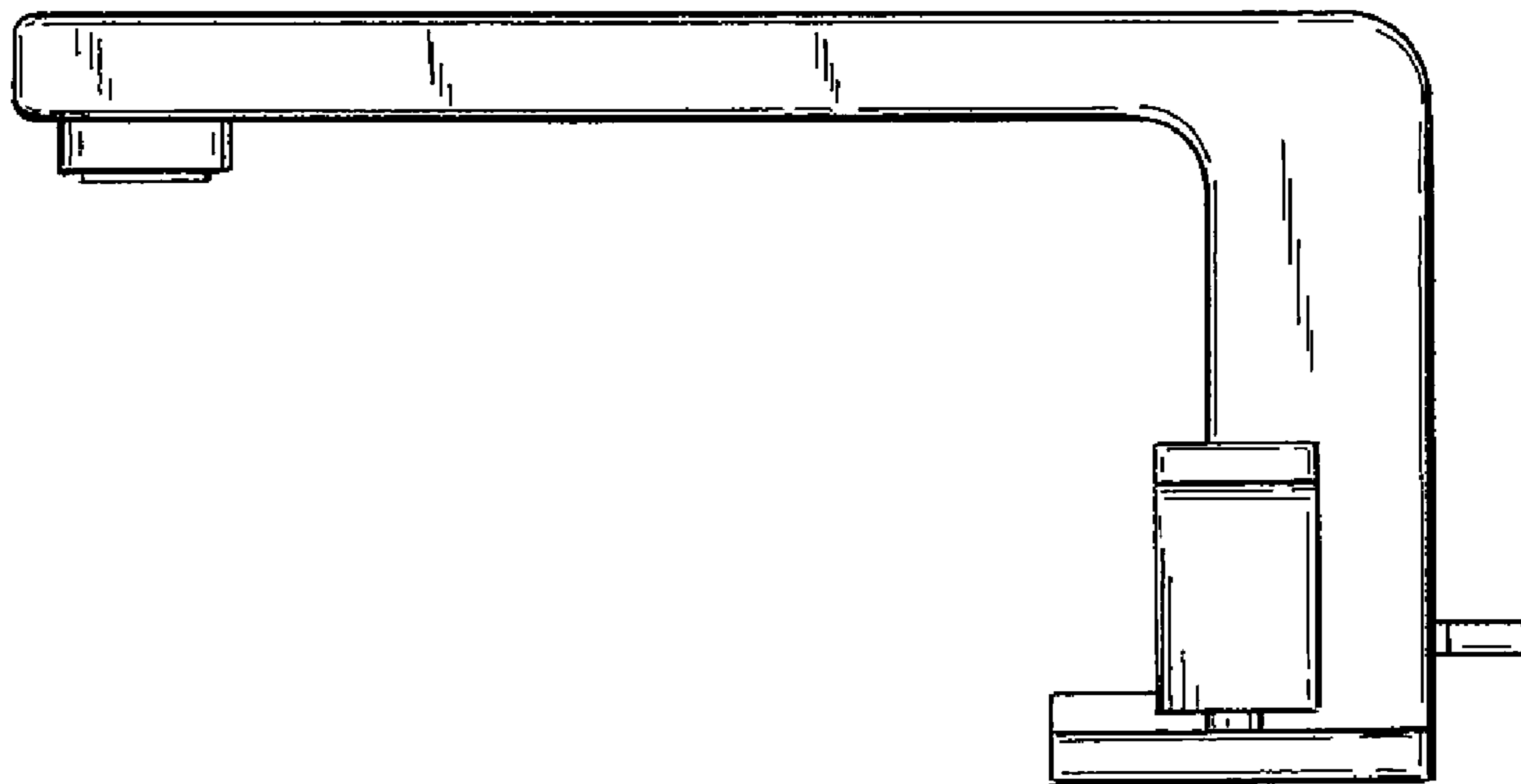


FIG.4

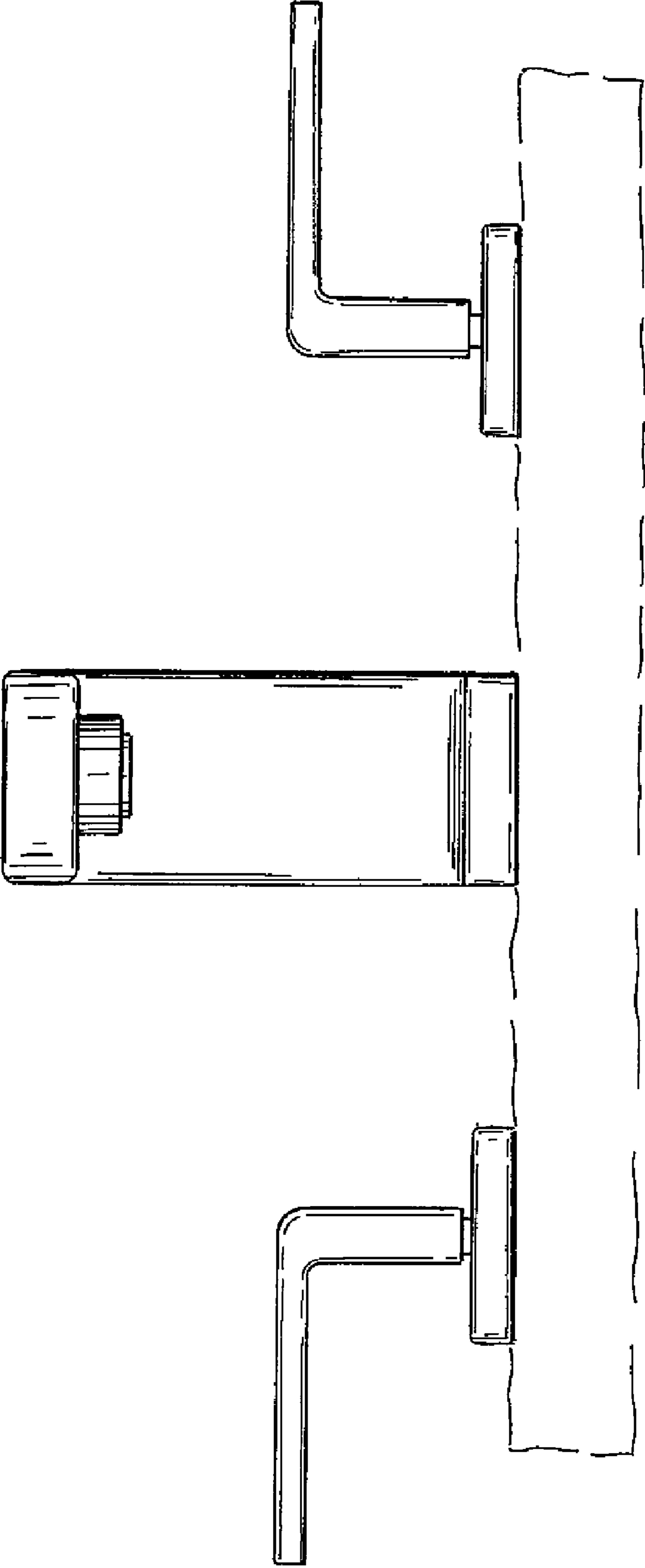


FIG.5

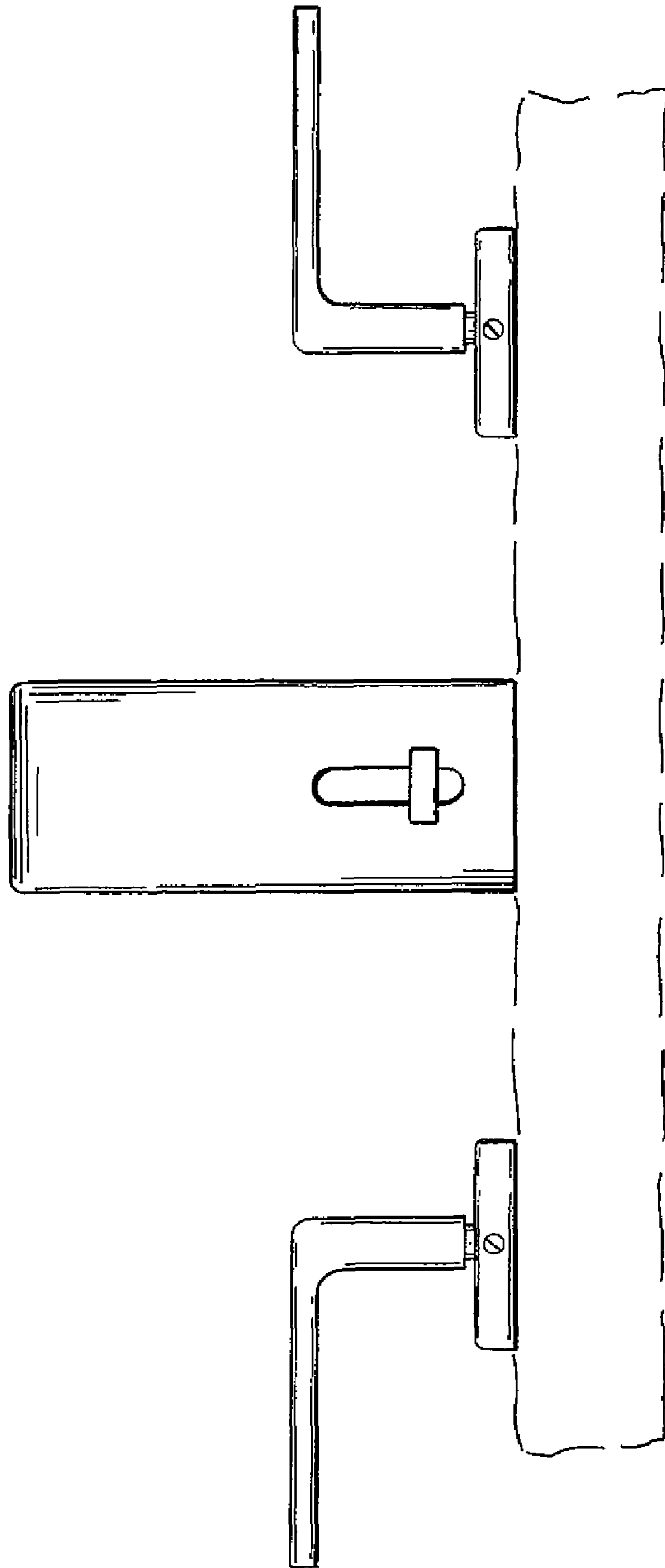


FIG.6

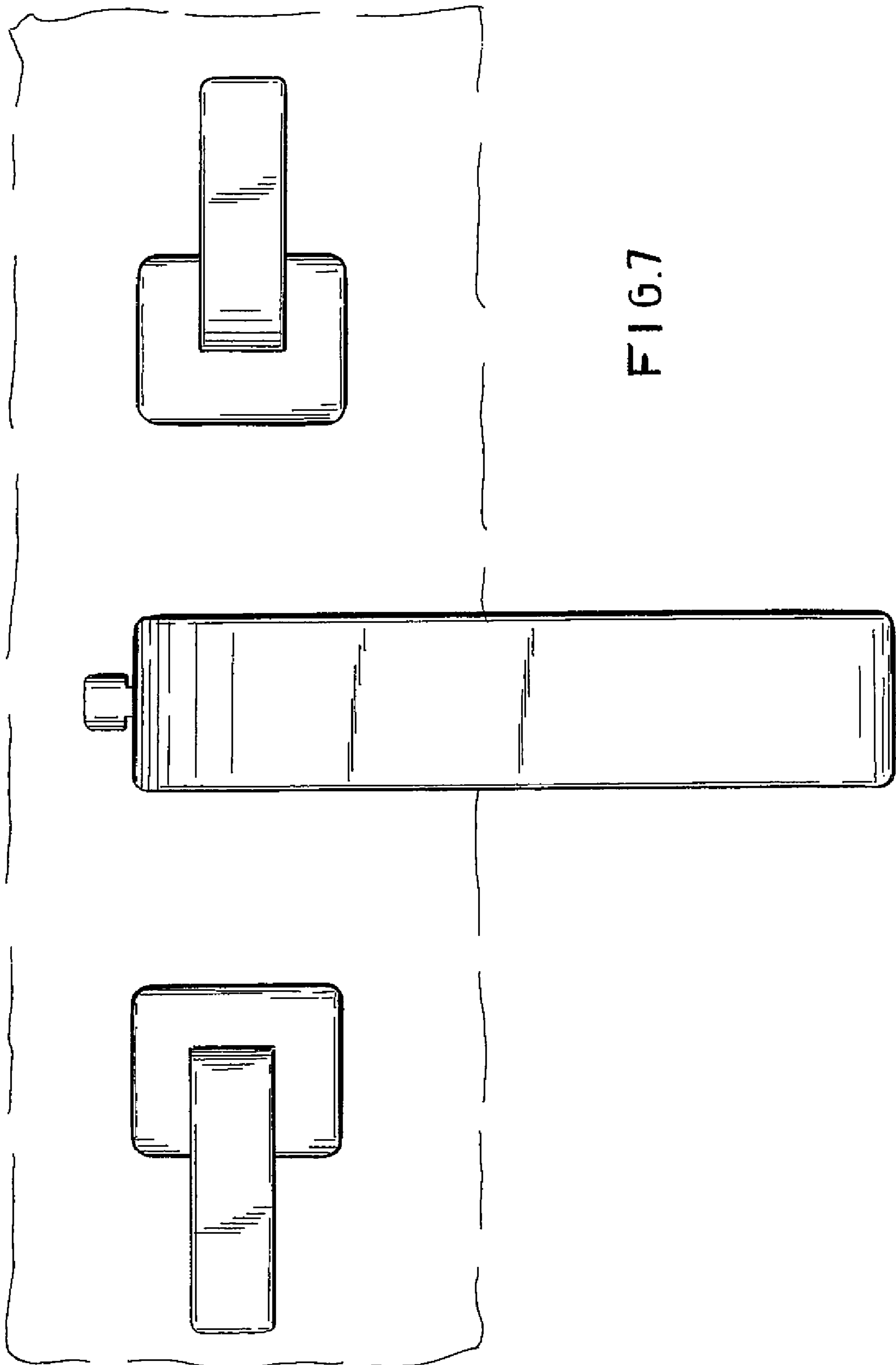


FIG. 7