



US00D625392S

(12) **United States Design Patent**
Kulig

(10) **Patent No.:** **US D625,392 S**
(45) **Date of Patent:** **** Oct. 12, 2010**

(54) **FAUCET**

(75) Inventor: **Zbigniew Kulig**, Wadworth, IL (US)

(73) Assignee: **Graff Faucets**, Milwaukee, WI (US)

(**) Term: **14 Years**

(21) Appl. No.: **29/357,480**

(22) Filed: **Mar. 12, 2010**

(51) **LOC (9) Cl.** **23-01**

(52) **U.S. Cl.** **D23/242**

(58) **Field of Classification Search** D23/238,
D23/241–243, 250, 252, 255, 257; 4/675–678;
137/801

See application file for complete search history.

(56) **References Cited**

U.S. PATENT DOCUMENTS

D489,795 S	5/2004	Kulig et al.	
D492,389 S *	6/2004	Herbeau	D23/238
D512,488 S	12/2005	Kulig	
D514,201 S	1/2006	Kulig	
D517,648 S *	3/2006	Kulig et al.	D23/238
D597,175 S	7/2009	Kulig	
D611,573 S *	3/2010	Gao	D23/250

OTHER PUBLICATIONS

Kulig; U.S. Appl. No. 29/340,739, filed Jul. 24, 2009, entitled "Faucet".

Kulig; U.S. Appl. No. 29/350,389, filed Nov. 16, 2009, entitled "Faucet".

Kulig; U.S. Appl. No. 29/350,390, filed Nov. 16, 2009, entitled "Faucet".

* cited by examiner

Primary Examiner—Robert A Delehanty

(74) *Attorney, Agent, or Firm*—Boyle Fredrickson, S.C.

(57) **CLAIM**

The ornamental design for a faucet, as shown and described.

DESCRIPTION

FIG. 1 is perspective view of a faucet incorporating my new design, viewed from in front of, above, and from the left side of the faucet;

FIG. 2 is a front elevation view thereof;

FIG. 3 is a right-side elevation view thereof;

FIG. 4 is a left-side elevation view thereof;

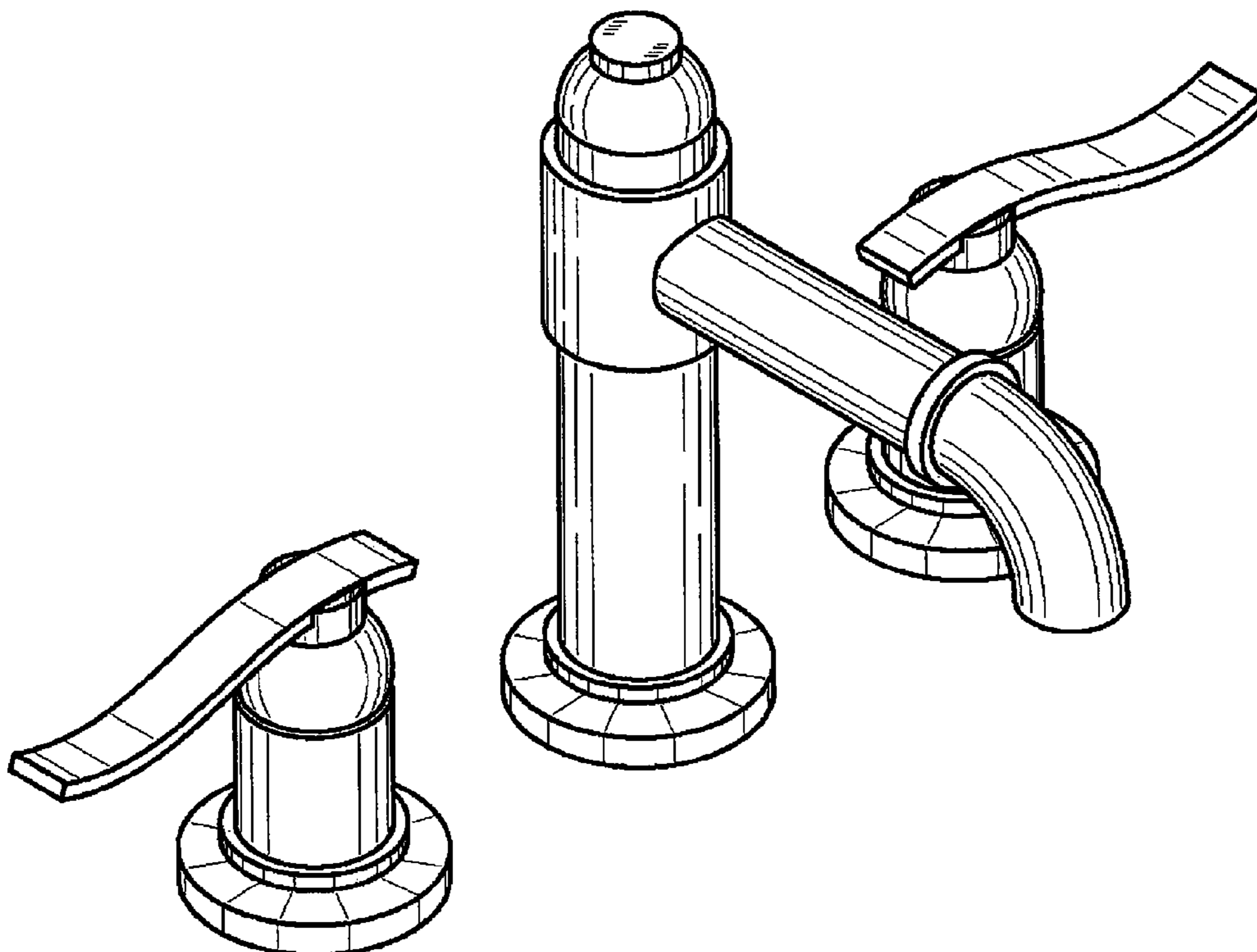
FIG. 5 is a rear elevation view thereof;

FIG. 6 is a top plan view thereof; and,

FIG. 7 is a bottom plan view thereof.

The broken lines in FIG. 7 are for illustrative purposes only and form no part of the claimed design.

1 Claim, 7 Drawing Sheets



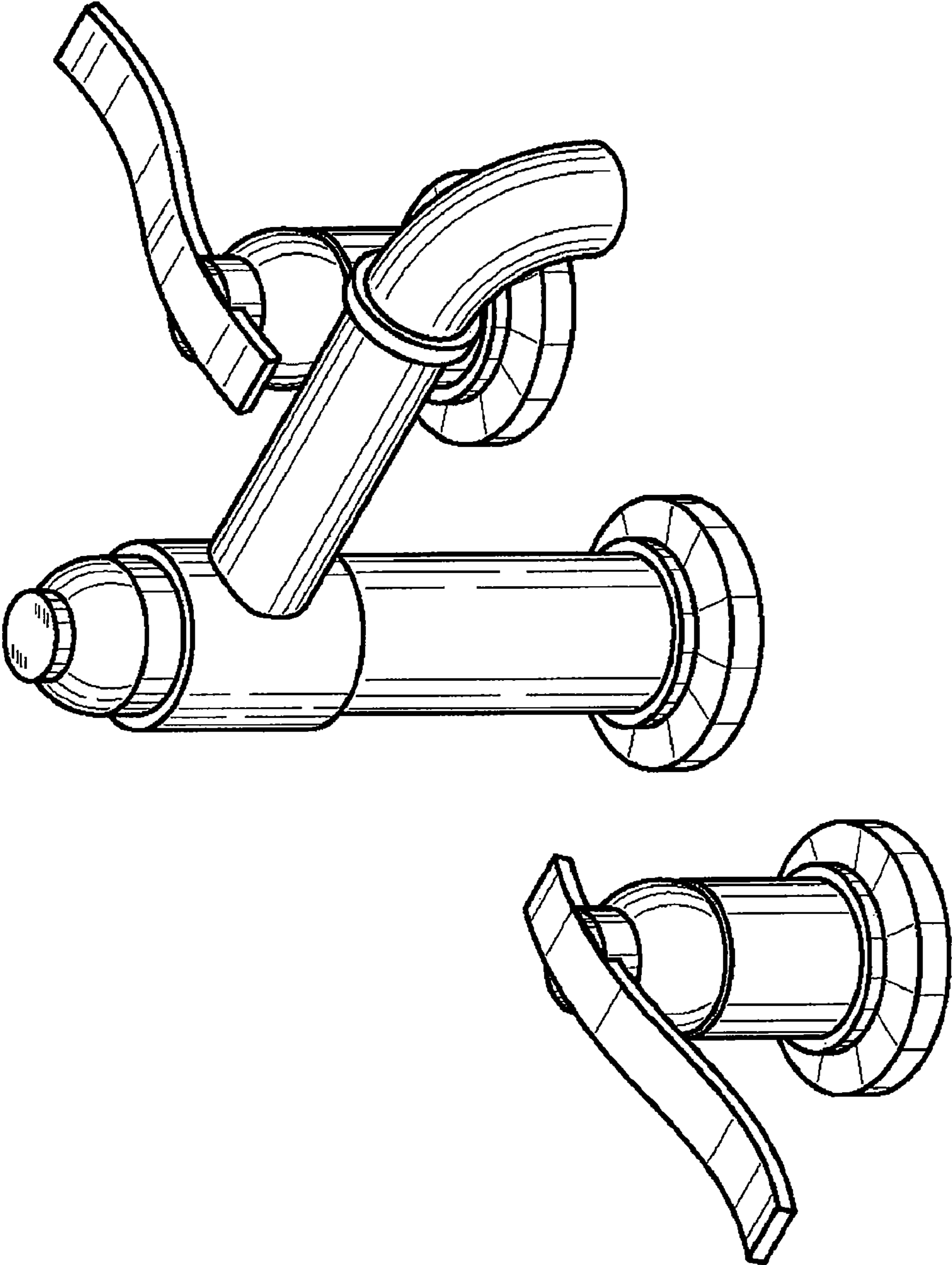


FIG. 1

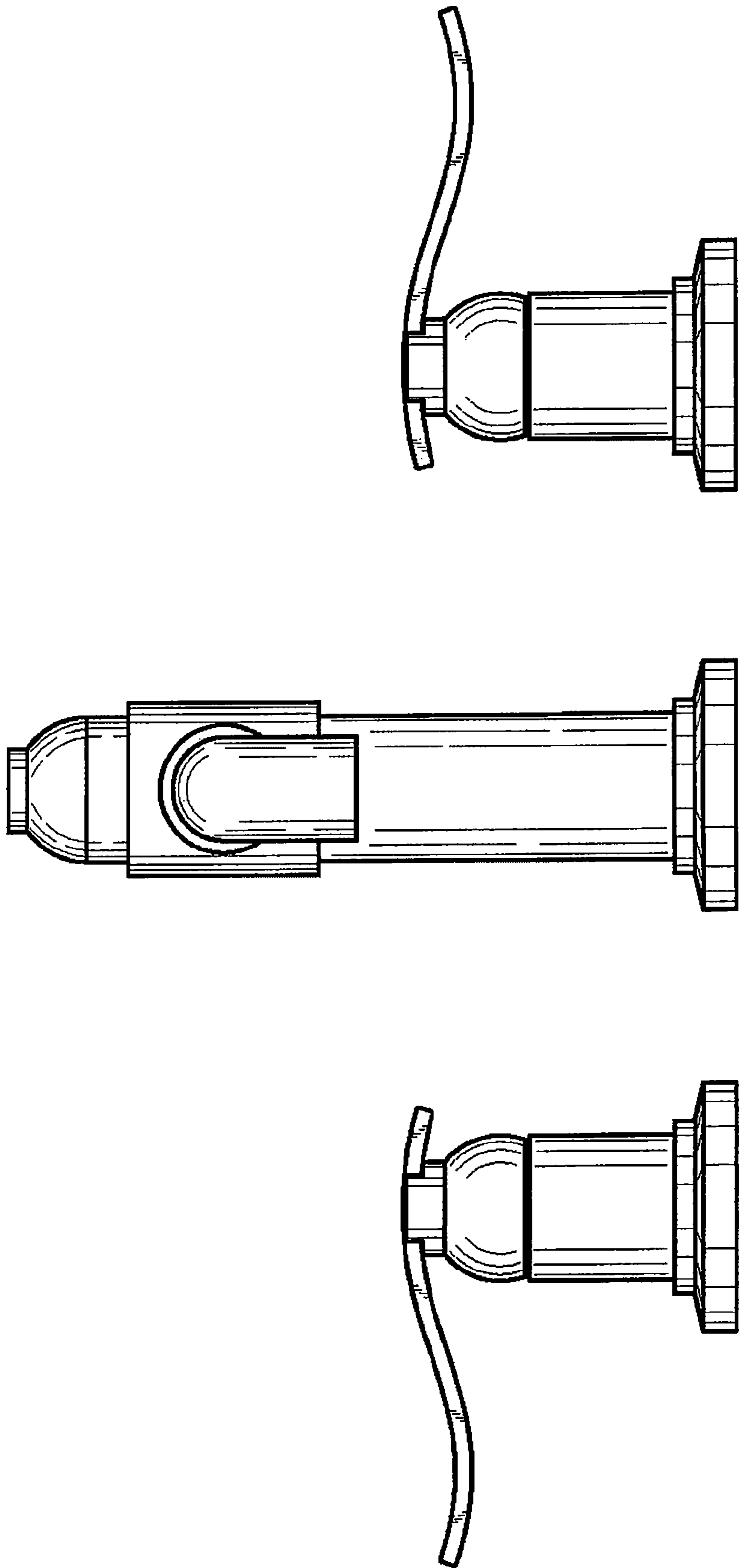


FIG. 2

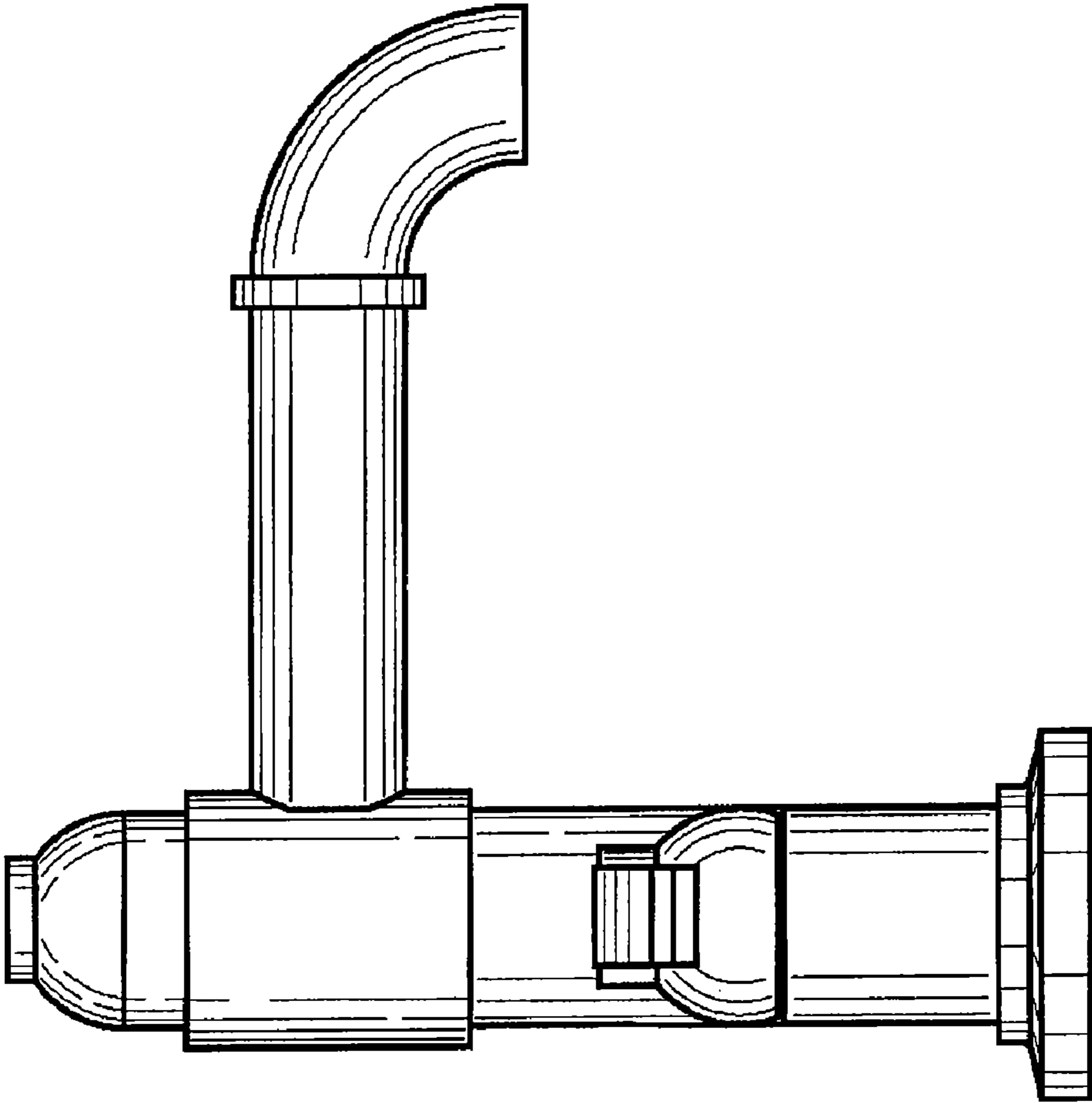


FIG. 3

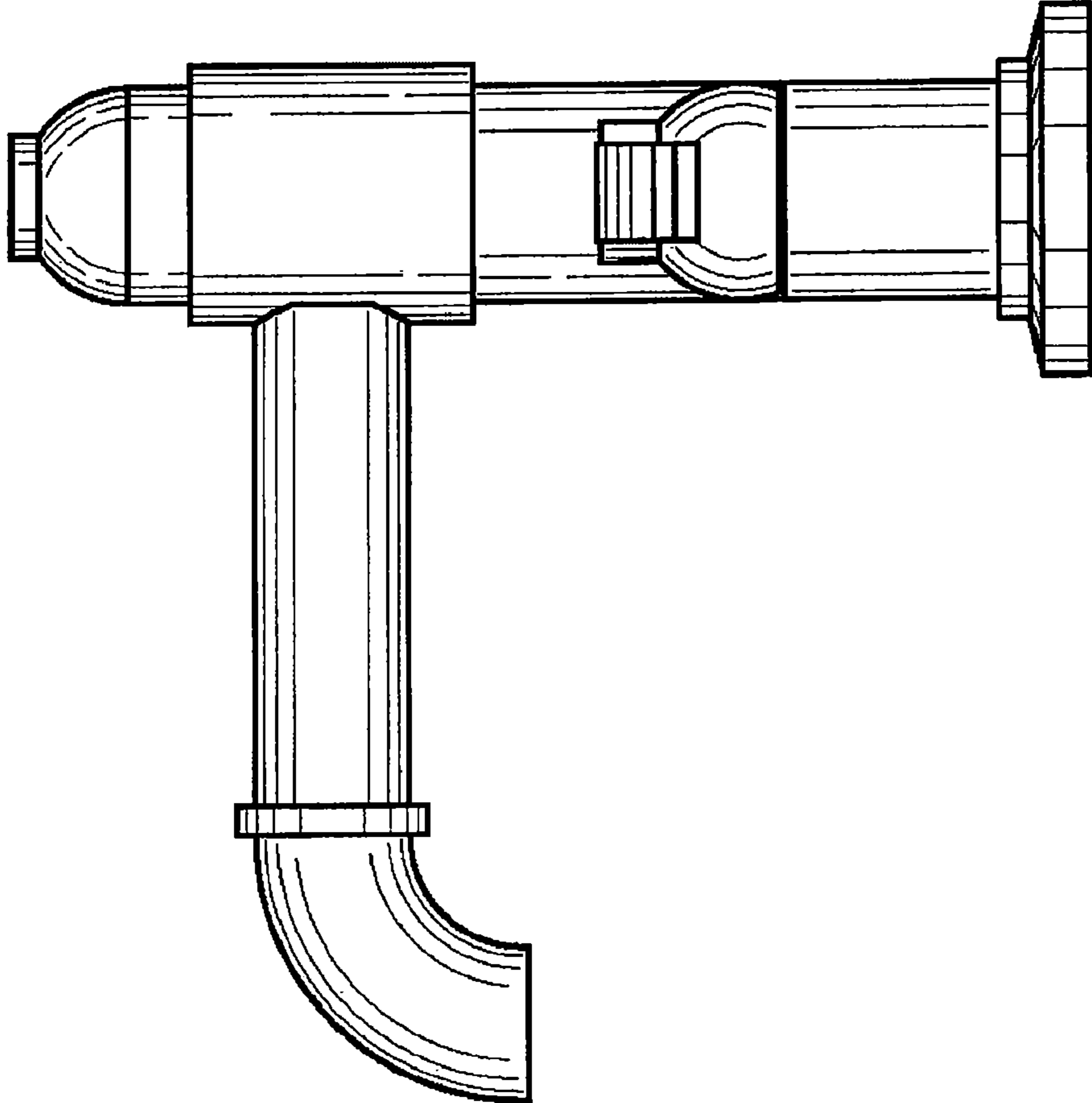


FIG. 4

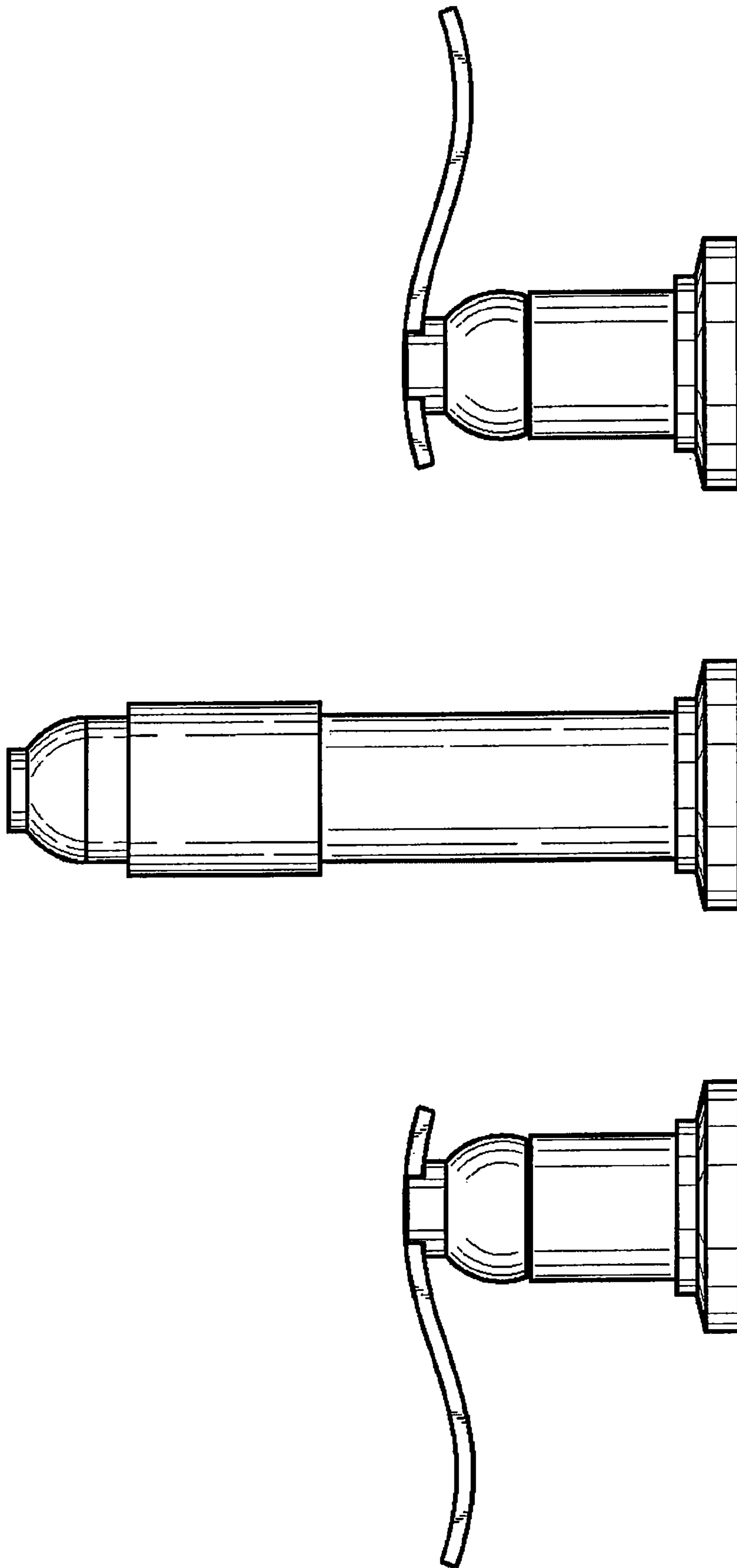


FIG. 5

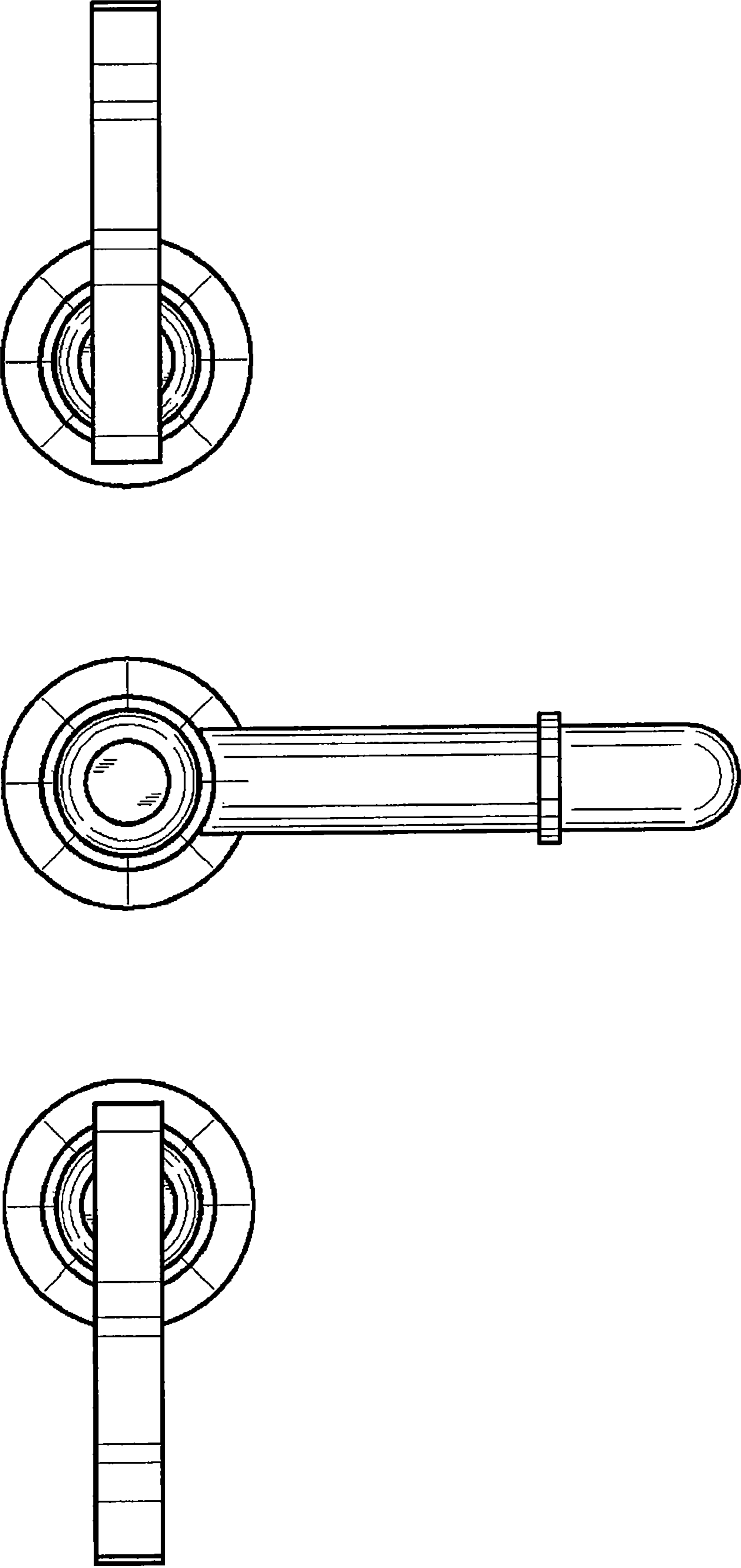


FIG. 6

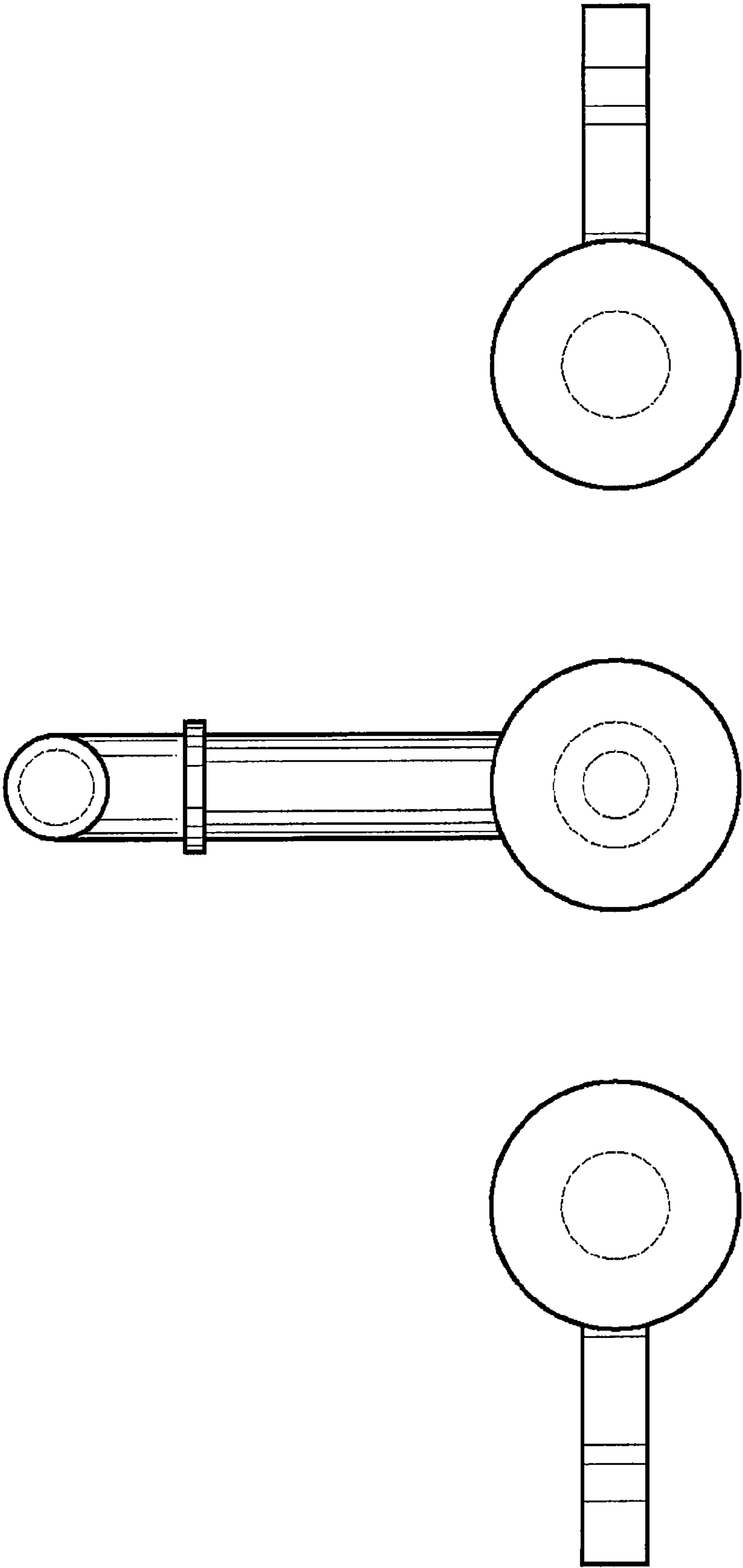


FIG. 7