



US00D625390S

(12) **United States Design Patent**
Ambrosi

(10) **Patent No.:** **US D625,390 S**
(45) **Date of Patent:** **** Oct. 12, 2010**

(54) **SLIDE VALVE**

(75) Inventor: **Johann Ambrosi**, Herbrechtingen (DE)

(73) Assignee: **Max Widenmann KG**
Armaturenfabrik (DE)

(**) Term: **14 Years**

(21) Appl. No.: **29/356,043**

(22) Filed: **Feb. 18, 2010**

(51) **LOC (9) Cl.** **23-01**

(52) **U.S. Cl.** **D23/237**

(58) **Field of Classification Search** D23/233-237,
D23/262, 265, 266, 269; 251/159, 167, 170,
251/172, 193, 195, 208, 325-328; 137/553,
137/625.33, 625.44, 625.45; 418/201.2
See application file for complete search history.

(56) **References Cited**

U.S. PATENT DOCUMENTS

3,495,057	A *	2/1970	Golota	218/88
5,746,247	A *	5/1998	Schlecht et al.	137/625.45
D397,767	S *	9/1998	Gustafsson	D23/237
5,823,224	A *	10/1998	Gomez	137/240
5,832,737	A *	11/1998	Moilanen	62/228.5
5,950,665	A *	9/1999	Claus	137/384.2

6,375,157	B1 *	4/2002	Van de Lande	251/327
D521,596	S *	5/2006	Nimberger	D23/233
D521,597	S *	5/2006	Nimberger	D23/233
7,114,702	B2 *	10/2006	Sauer	251/195

* cited by examiner

Primary Examiner—Cathron C. Brooks

Assistant Examiner—Maurice Stevens

(74) *Attorney, Agent, or Firm*—Hayes Soloway P.C.

(57) **CLAIM**

The ornamental design for a slide valve, as shown and described.

DESCRIPTION

FIG. 1 is a perspective view of a slide valve in accordance with my invention;

FIG. 2 is a top view thereof;

FIG. 3 is a left side view thereof;

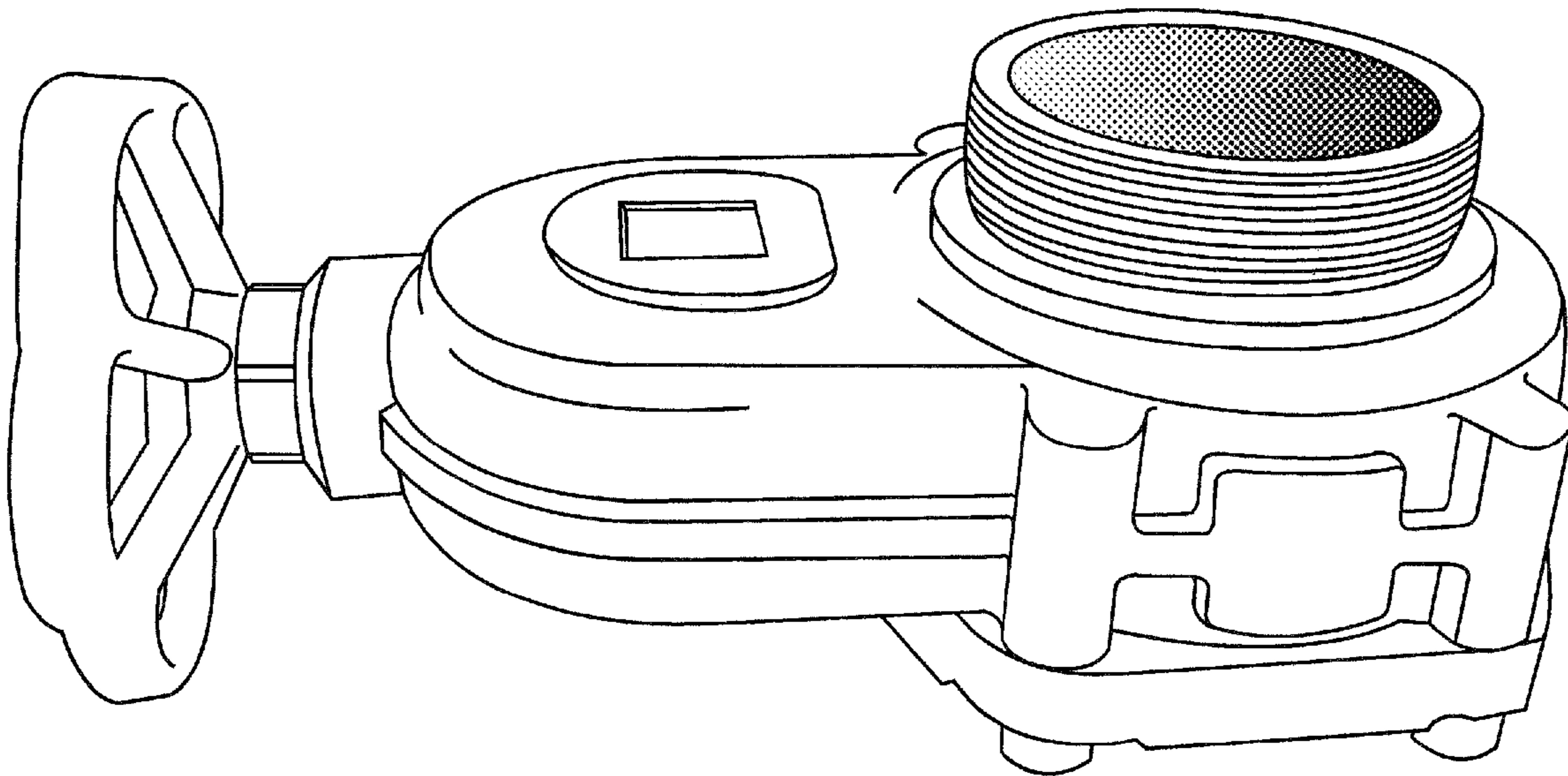
FIG. 4 is a right side view thereof;

FIG. 5 is a bottom view thereof;

FIG. 6 is an end view from one end thereof; and,

FIG. 7 is an end view from the opposite end thereof.

1 Claim, 7 Drawing Sheets



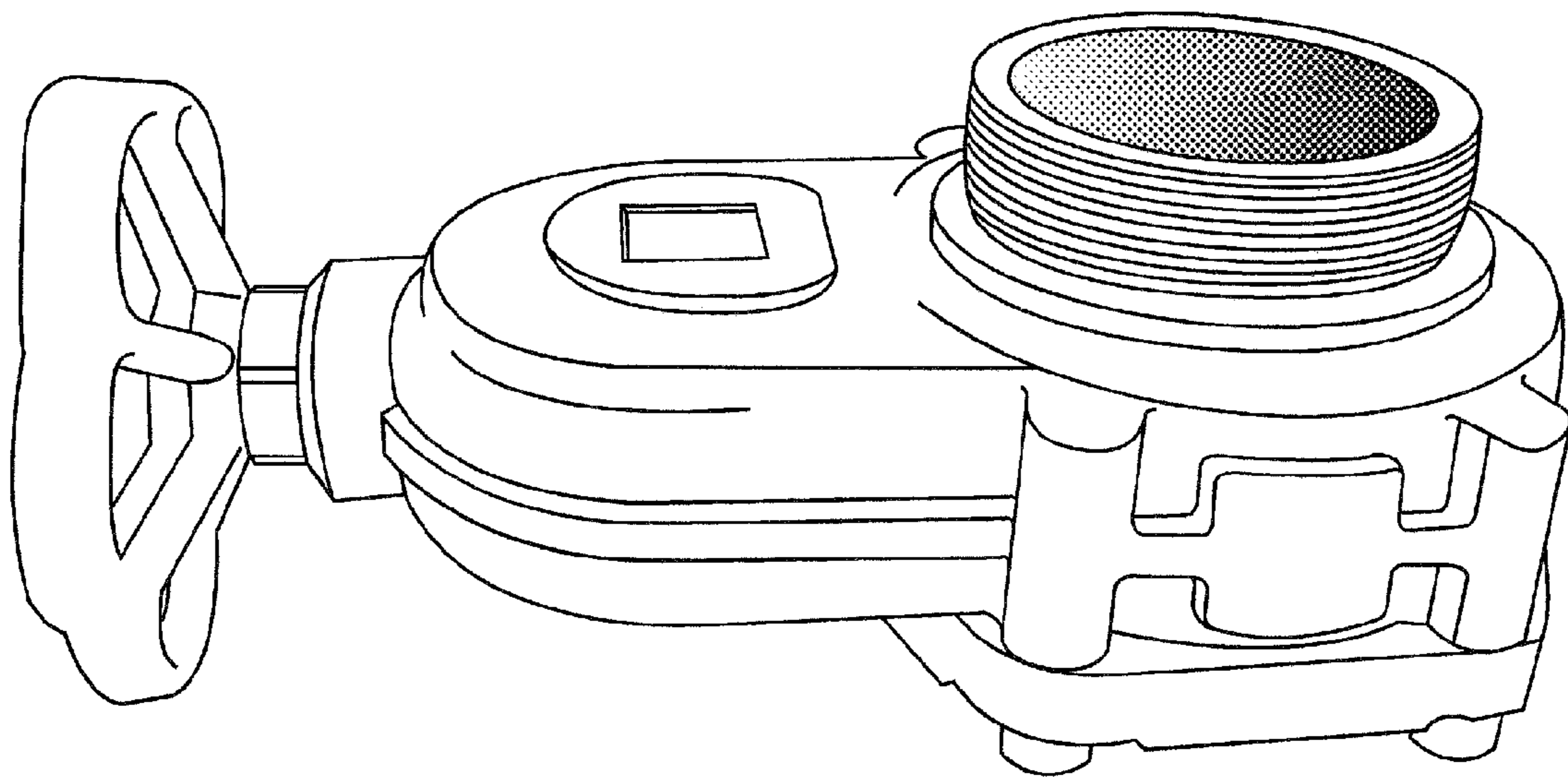


Fig. 1

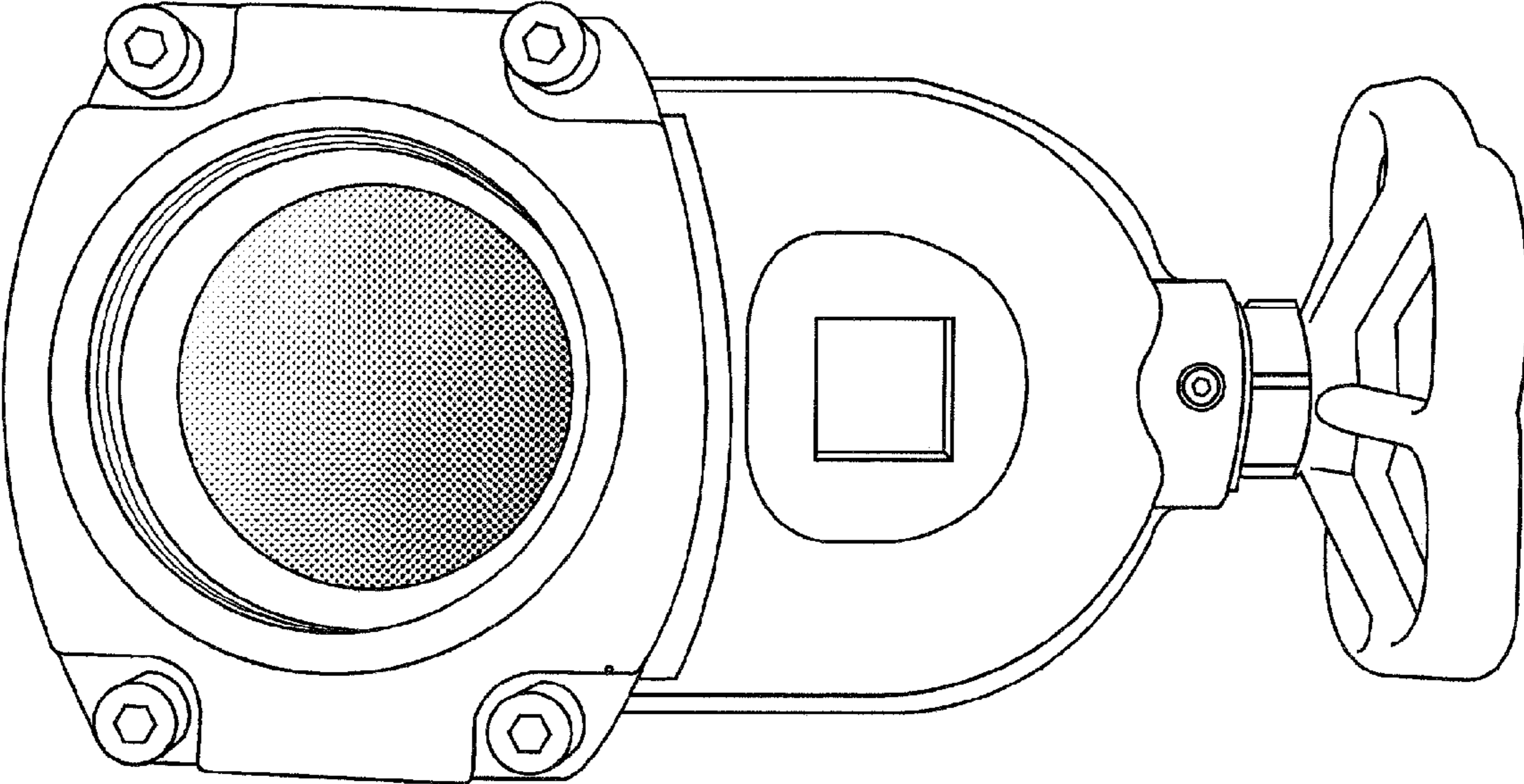


Fig. 2

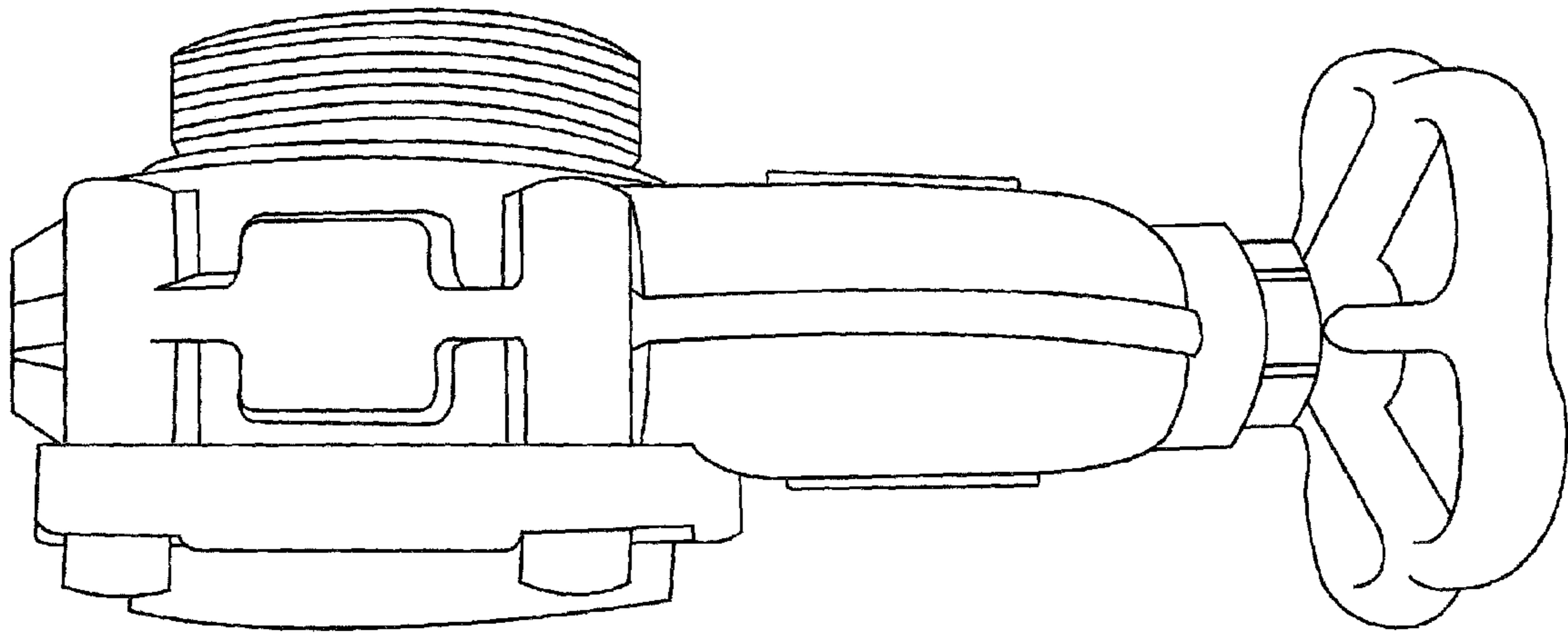


Fig. 3

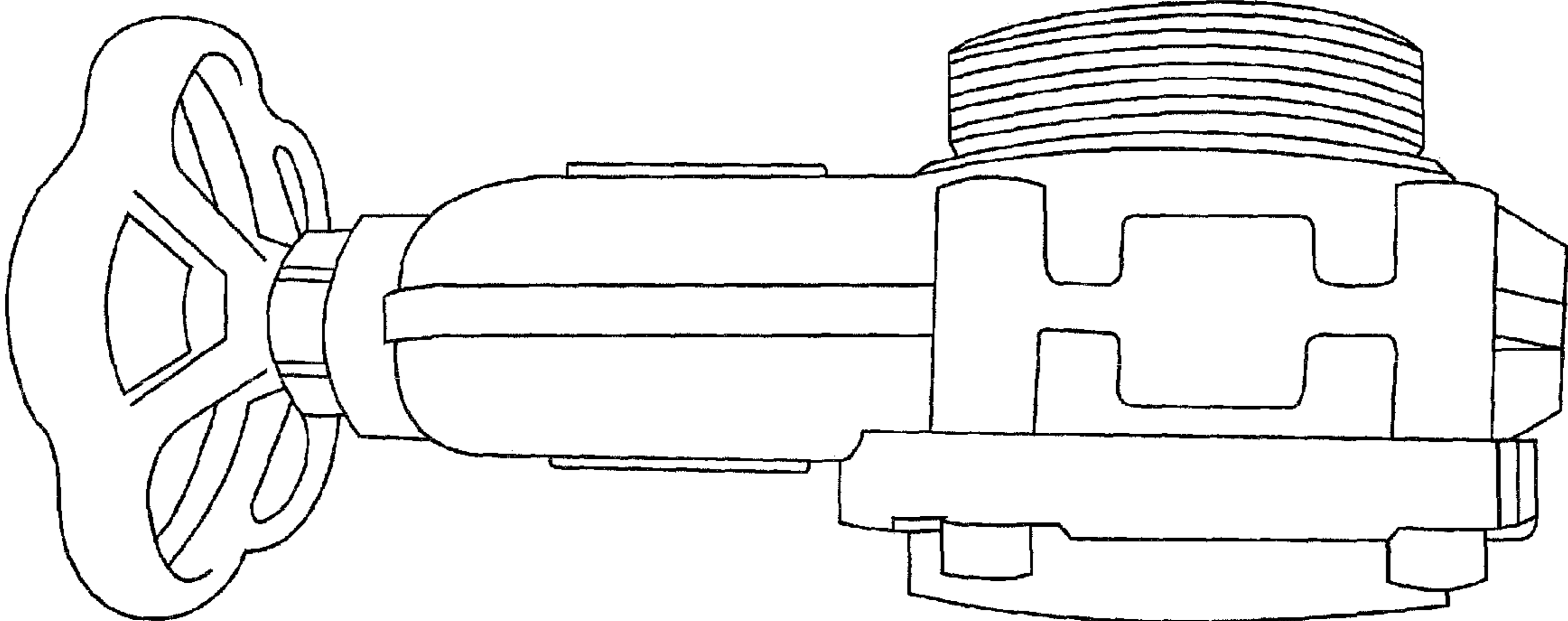


Fig. 4

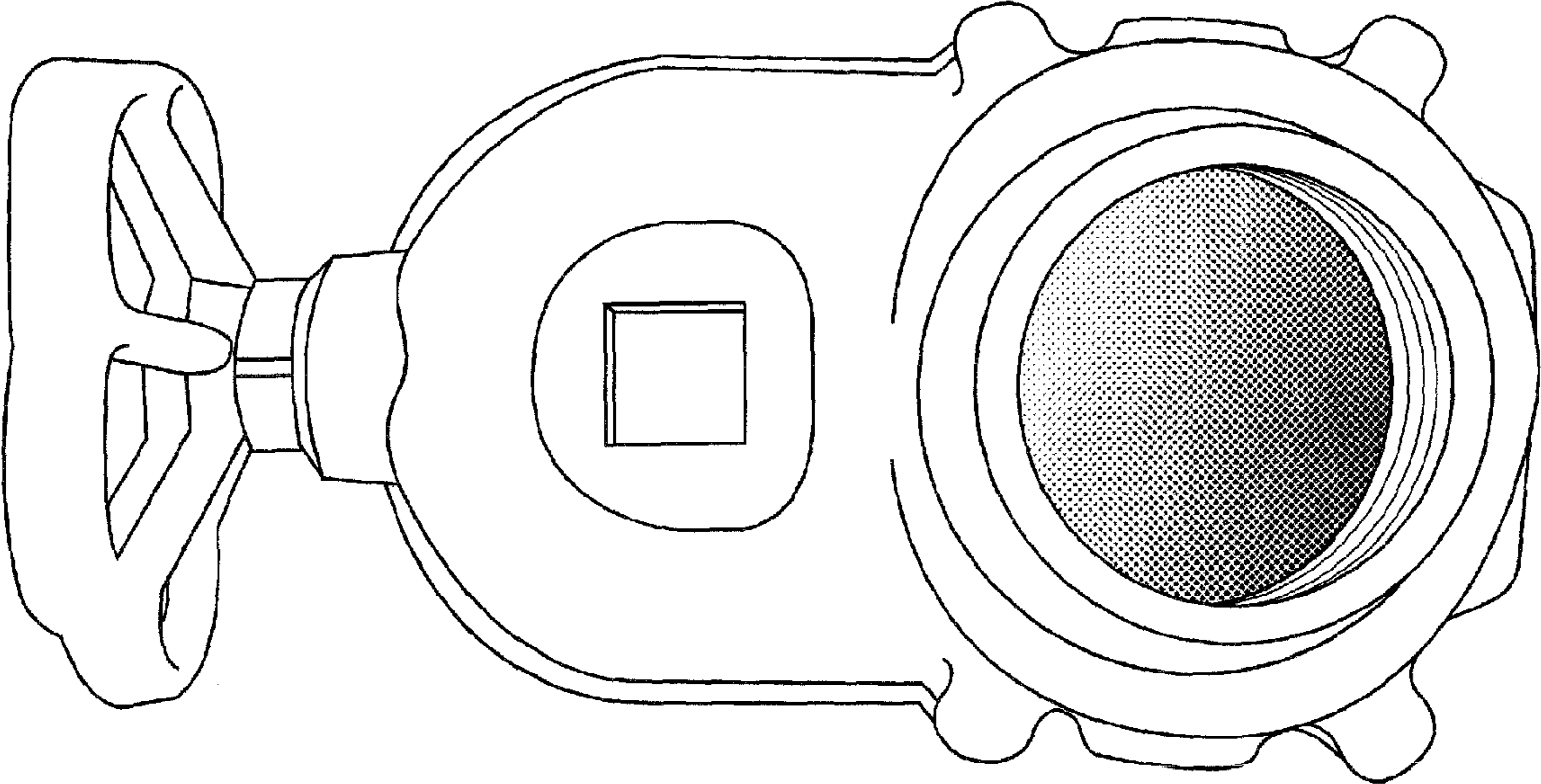


Fig. 5

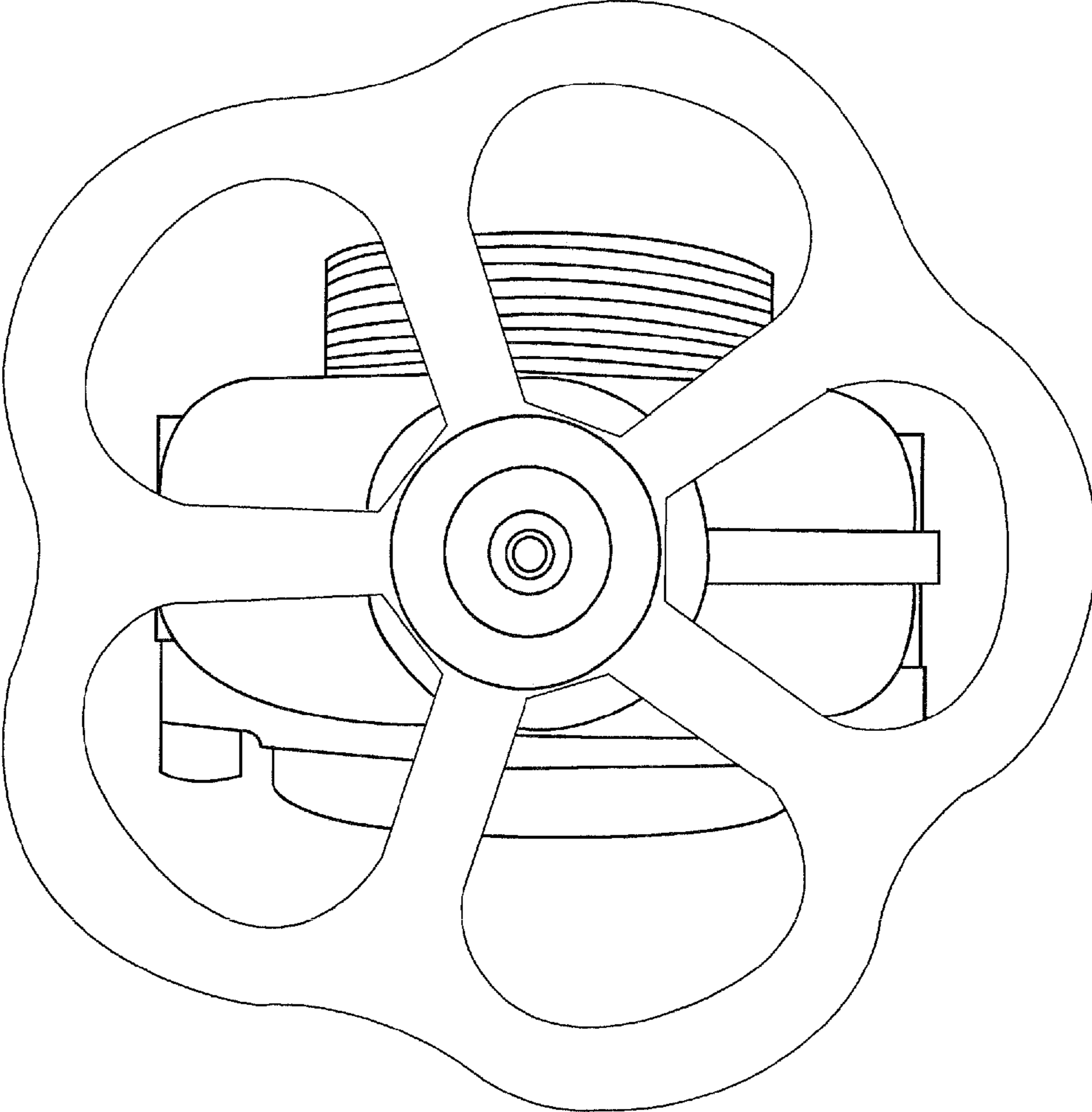


Fig. 6

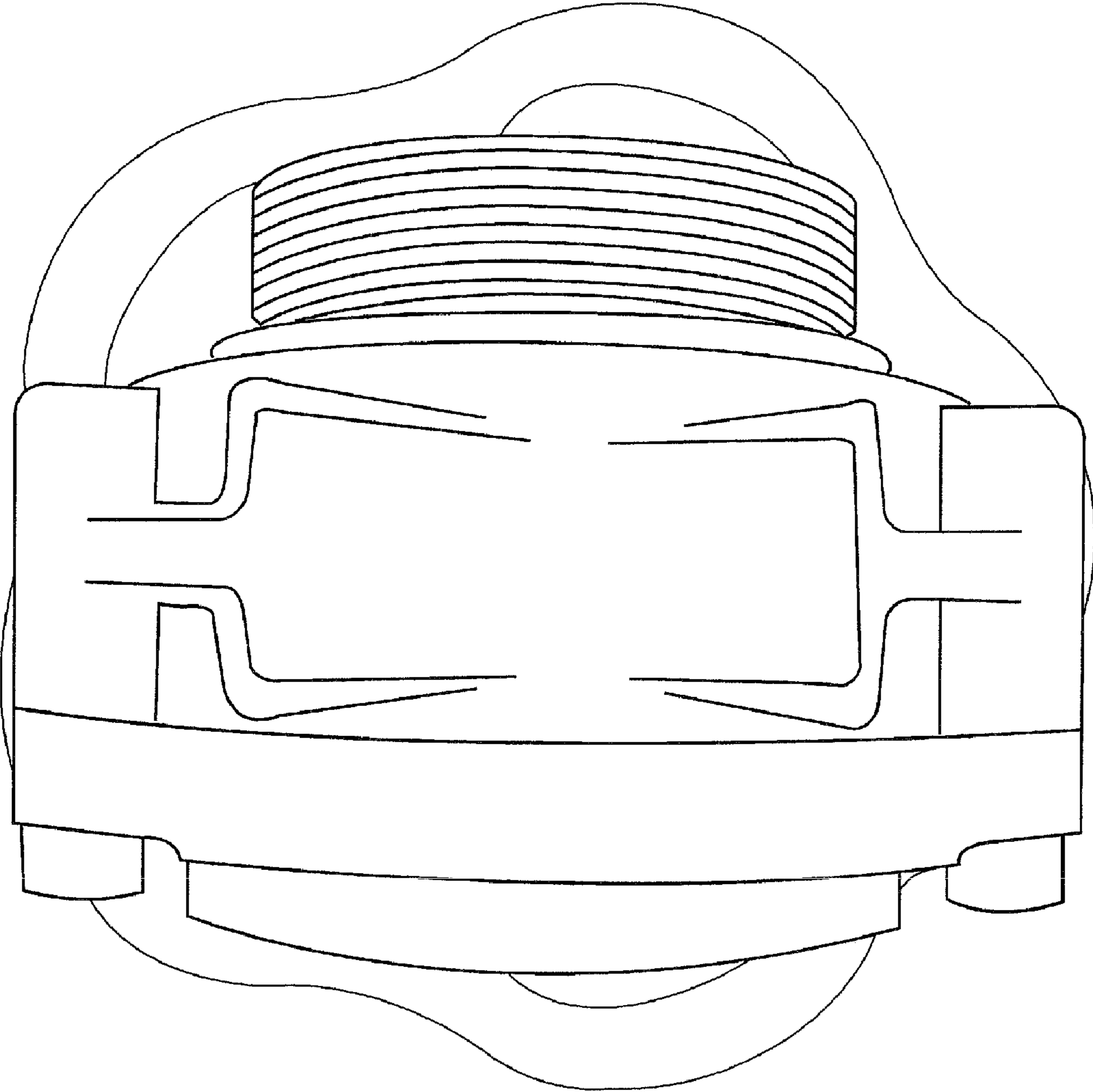


Fig. 7