



US00D625389S

(12) **United States Design Patent**
Norlander

(10) **Patent No.:** **US D625,389 S**
(45) **Date of Patent:** **** Oct. 12, 2010**

(54) **VALVE**

D577,103 S * 9/2008 Caron et al. D23/233

(75) Inventor: **Per Norlander**, Vargarda (SE)

* cited by examiner

(73) Assignee: **Tour & Andersson AB**, Vargarda (SE)

Primary Examiner—Cathron C. Brooks

Assistant Examiner—Maurice Stevens

(**) Term: **14 Years**

(74) *Attorney, Agent, or Firm*—Davis & Bujold, P.L.L.C.

(21) Appl. No.: **29/345,642**

(57) **CLAIM**

(22) Filed: **Oct. 20, 2009**

The ornamental design for a valve, as shown and described.

(30) **Foreign Application Priority Data**

DESCRIPTION

May 7, 2009 (EM) 0001506205

FIG. 1 is a view from the back showing our new design;

(51) **LOC (9) Cl.** **23-01**

FIG. 2 is a view from the front of the valve shown in FIG. 1;

(52) **U.S. Cl.** **D23/233**

FIG. 3 is a view from the right side of the valve shown in FIG. 1;

(58) **Field of Classification Search** D23/233–237,
D23/244–249, 259, 272; 251/143, 148, 152,
251/309, 310, 315.01, 315.1, 315.14, 315.16;
137/240, 412, 533, 801, 11

FIG. 4 is a view from the left side of the valve shown in FIG. 1;

See application file for complete search history.

FIG. 5 is a top plan view of the valve shown in FIG. 1;

FIG. 6 is a bottom plan view of the valve shown in FIG. 1;

(56) **References Cited**

FIG. 7 is a perspective view from below of the valve shown in FIG. 1; and,

U.S. PATENT DOCUMENTS

FIG. 8 is a perspective view from above of the valve shown in FIG. 1.

D335,918 S * 5/1993 Glansk D23/245

The broken line showing of unclaimed portions of the valve form no part of the claimed design.

D538,889 S * 3/2007 Marstorp D23/233

D539,387 S * 3/2007 Donovan et al. D23/233

D566,234 S * 4/2008 Caron et al. D23/233

1 Claim, 8 Drawing Sheets

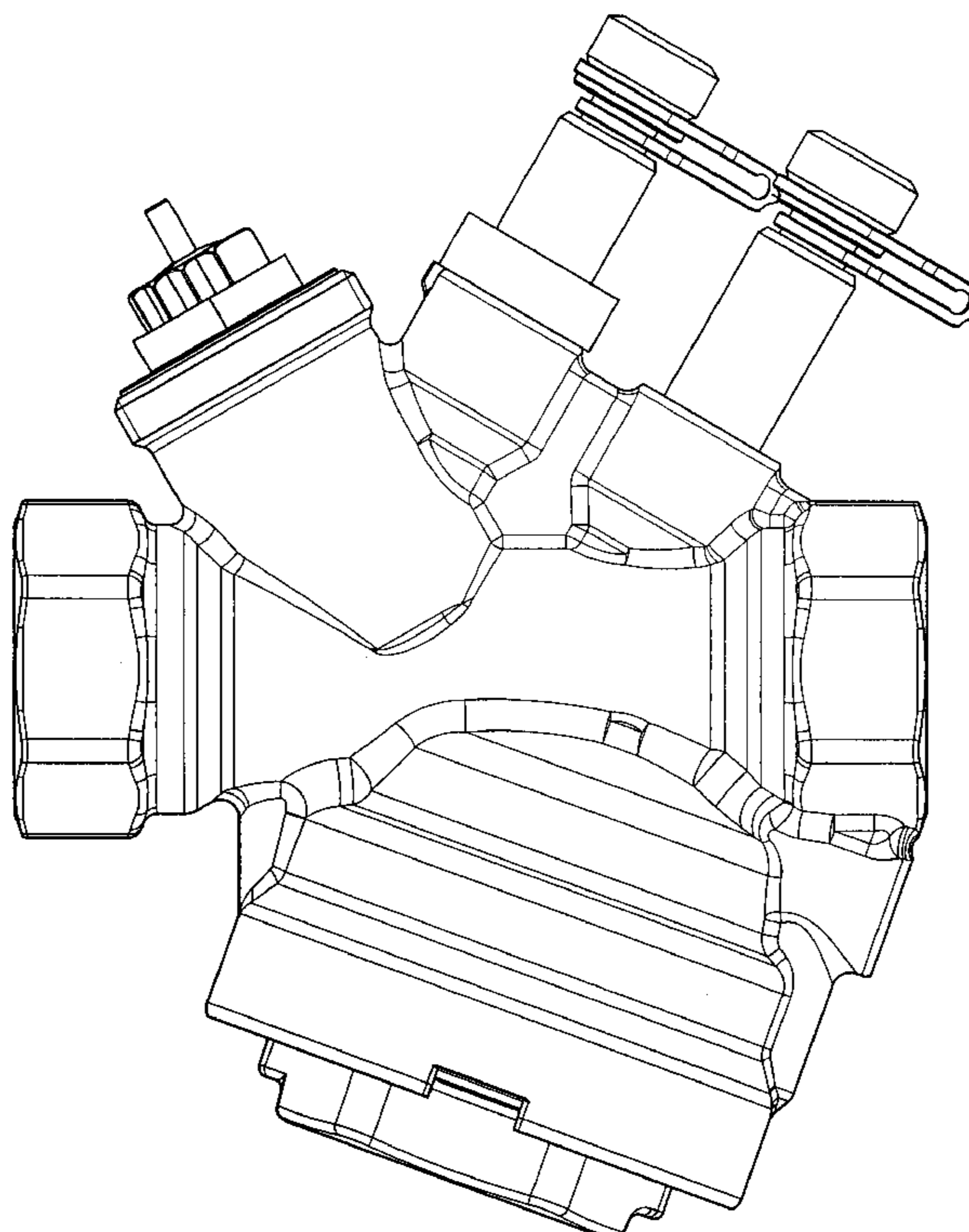


Fig. 1

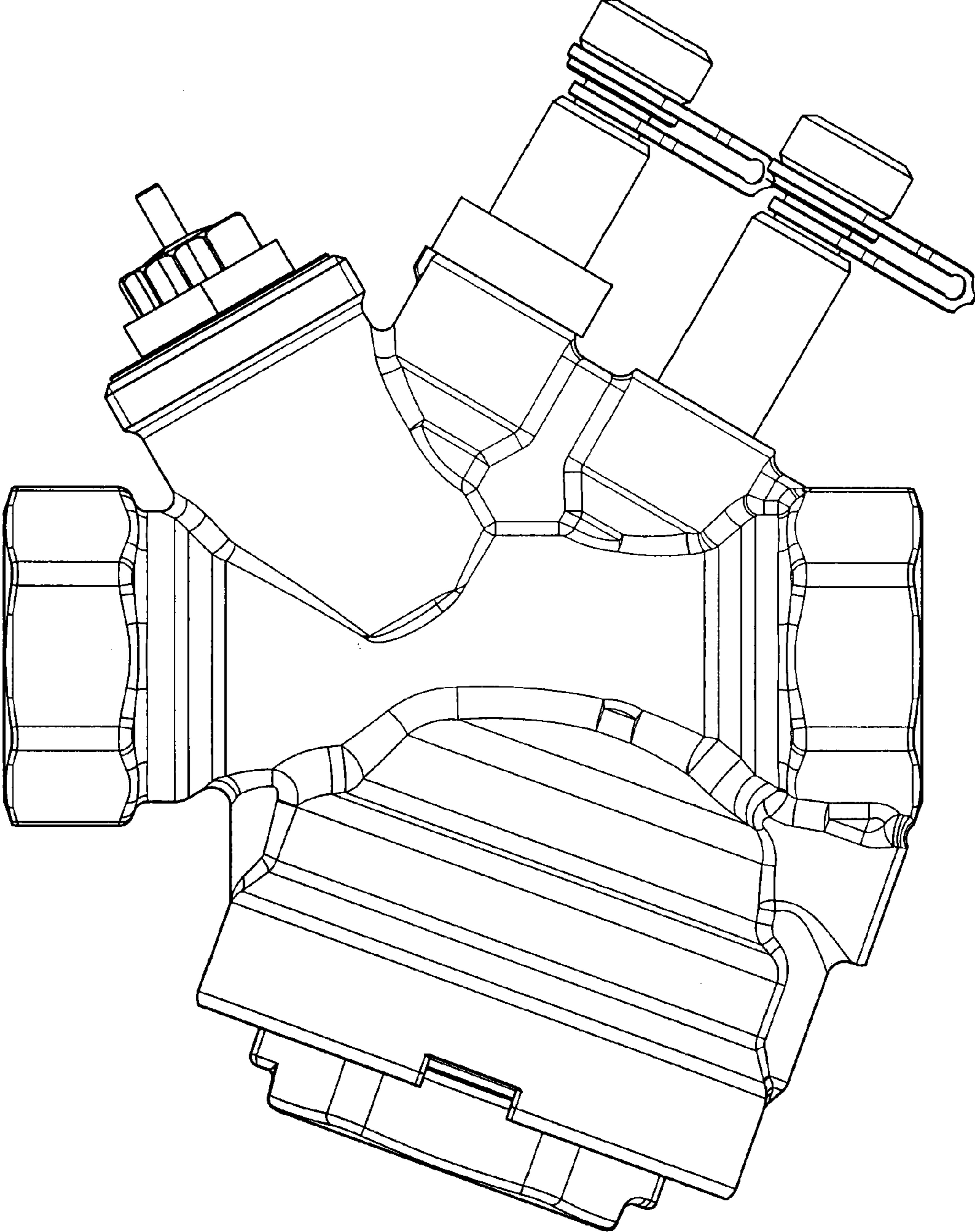


Fig. 2

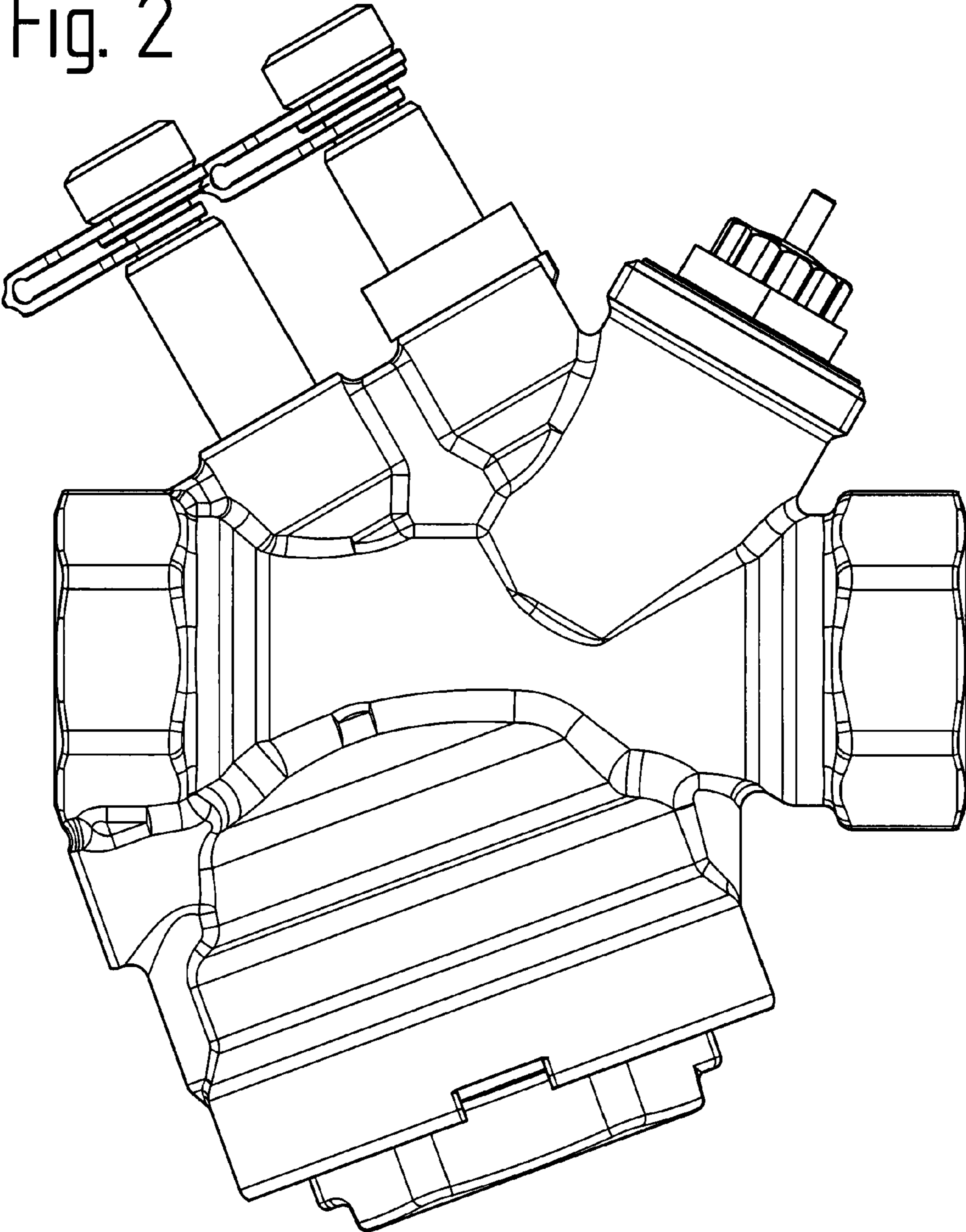


Fig. 3

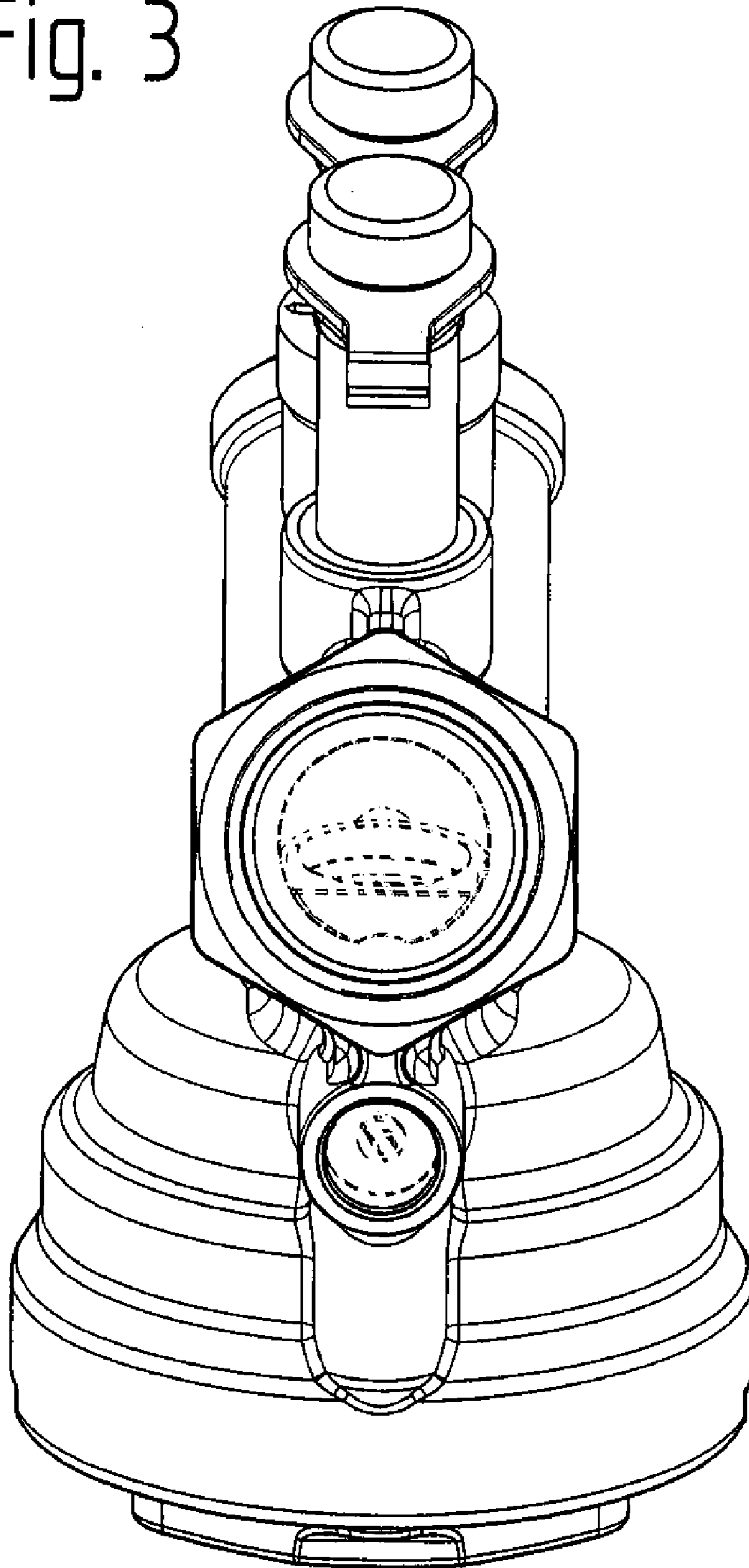


Fig. 4

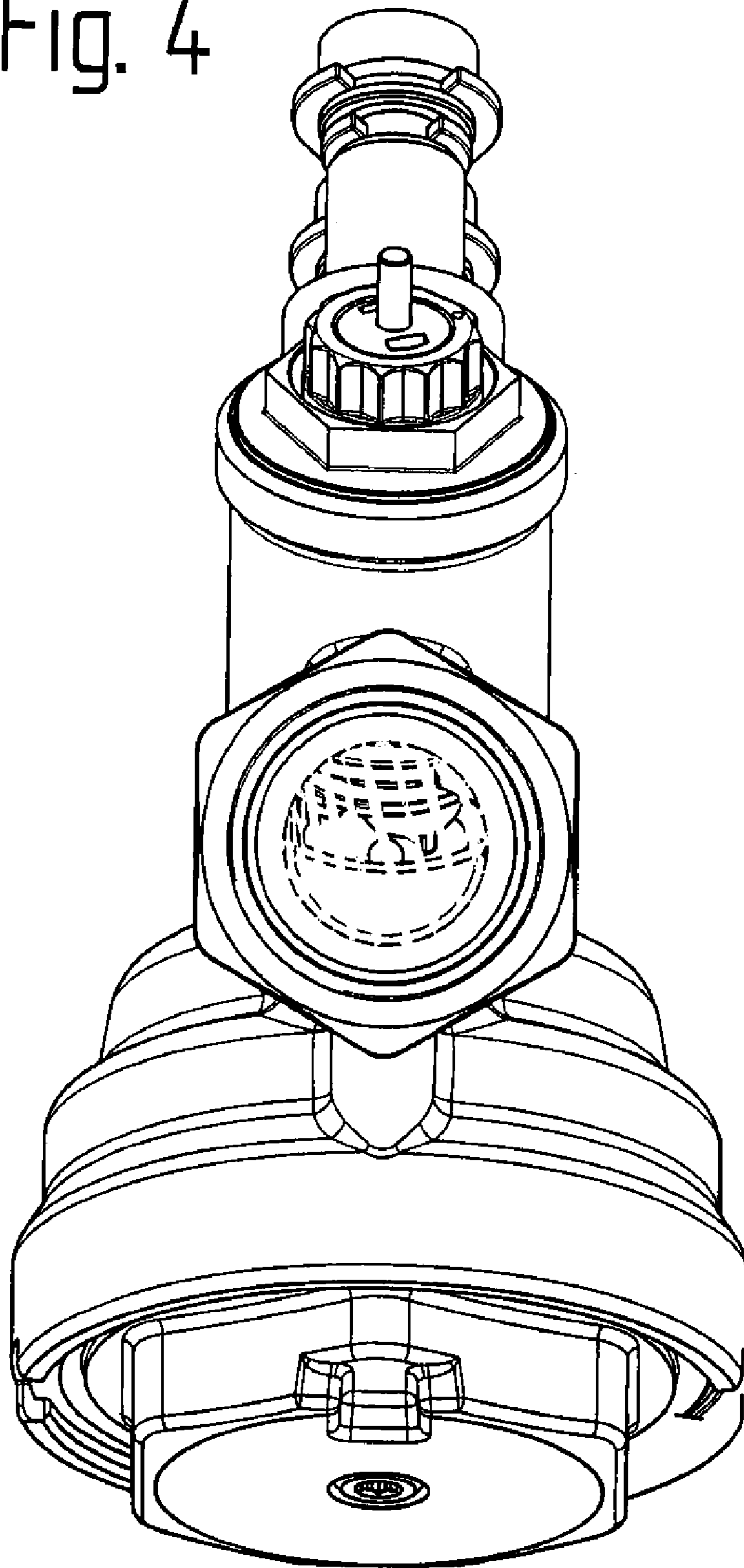


Fig. 5

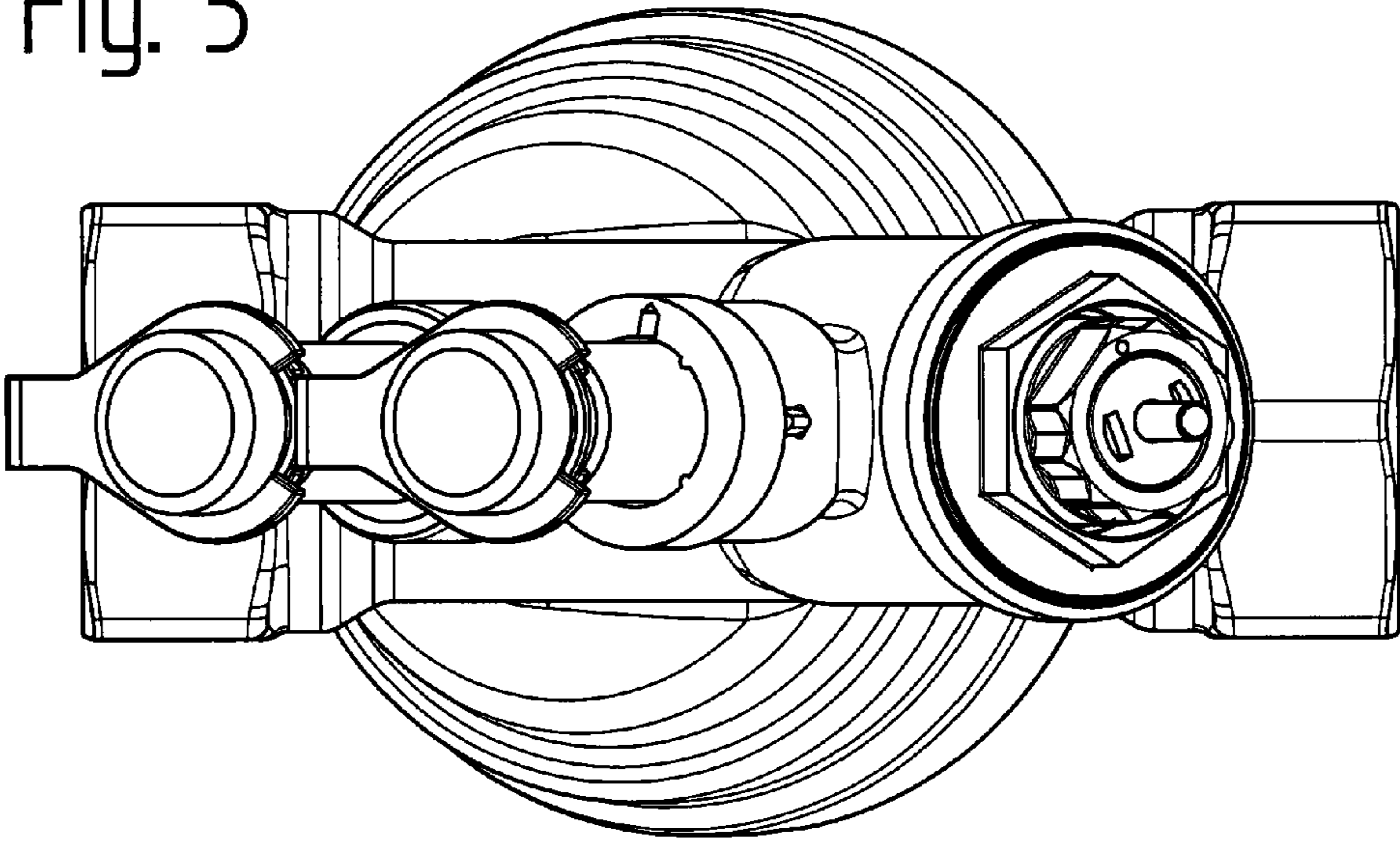


Fig. 6

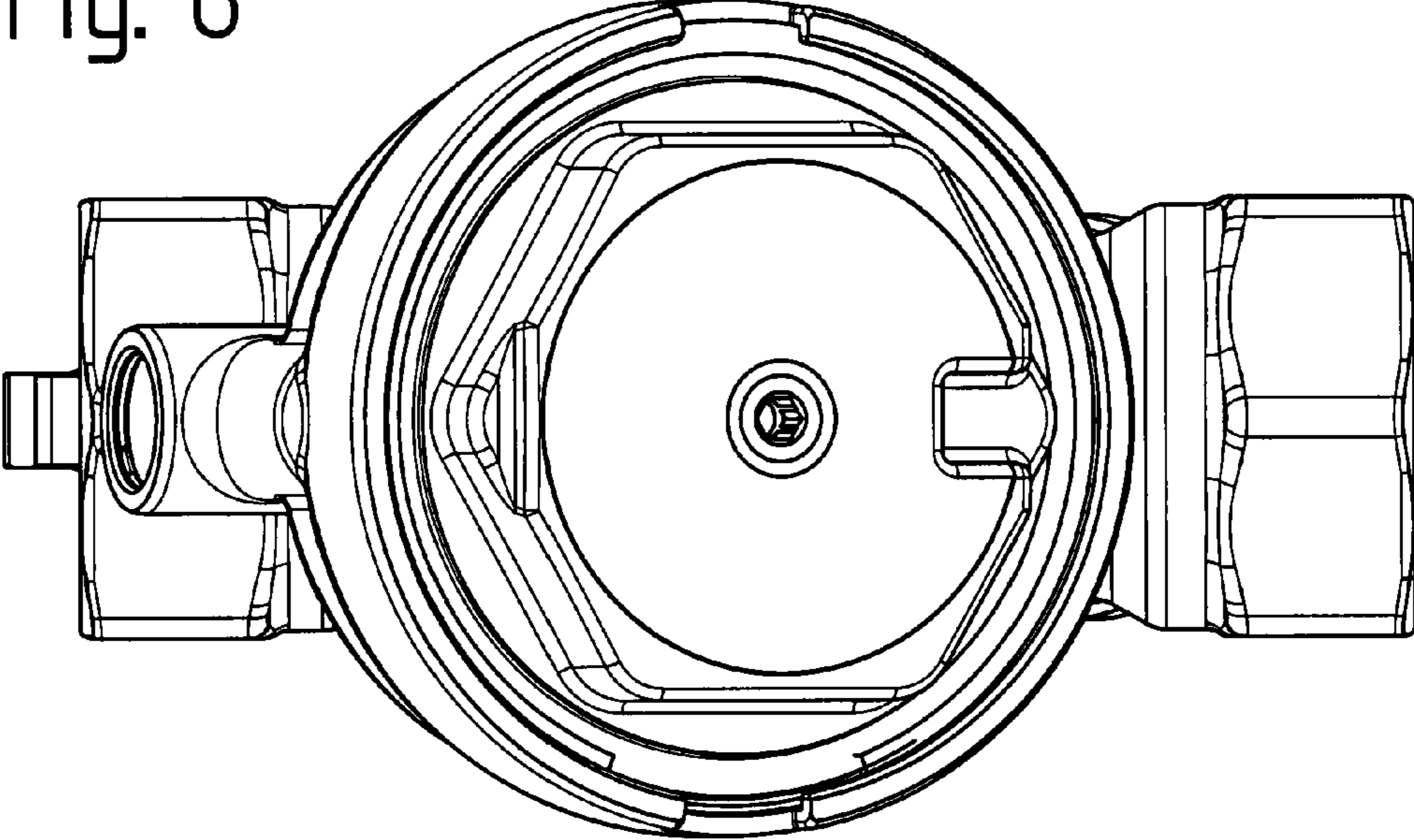


Fig. 7

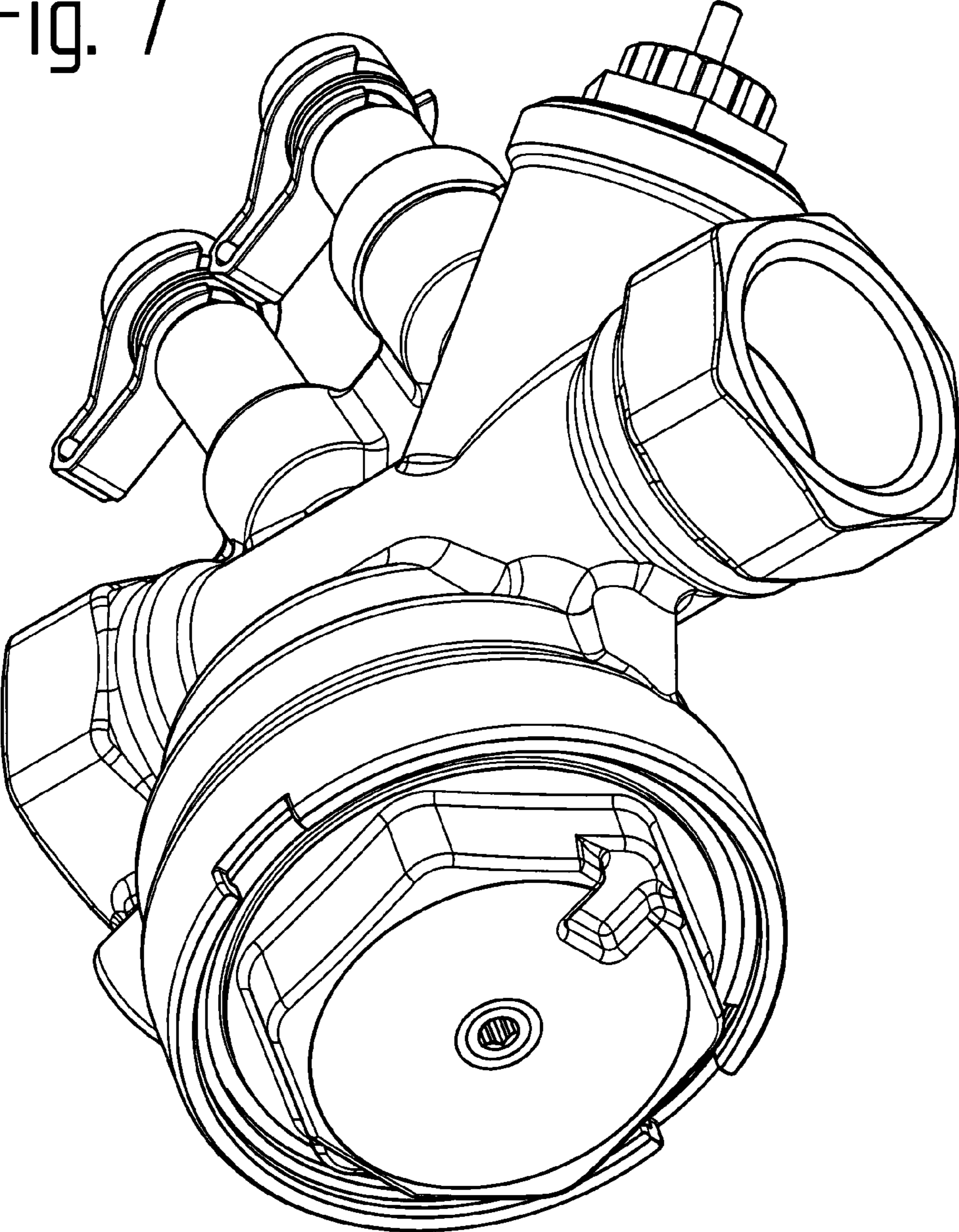


Fig. 8

