



US00D625386S

(12) **United States Design Patent**
Missildine

(10) **Patent No.:** **US D625,386 S**

(45) **Date of Patent:** **** Oct. 12, 2010**

(54) **PORTABLE GAME LIFT**

(76) Inventor: **David E Missildine**, 1221 MC 295,
Texarkana, AR (US) 71854

(**) Term: **14 Years**

(21) Appl. No.: **29/359,614**

(22) Filed: **Apr. 13, 2010**

(51) **LOC (9) Cl.** **22-99**

(52) **U.S. Cl.** **D22/199**

(58) **Field of Classification Search** D22/199,
D22/119; 294/68.3, 81.4, 81.1, 137, 152,
294/74, 149; 224/103, 920-921, 259-260,
224/638, 184, 401-402, 493; 452/187, 189,
452/192, 185; 119/708, 467-468, 51.03;
414/462; 54/24; 254/409

See application file for complete search history.

(56) **References Cited**

U.S. PATENT DOCUMENTS

2,931,629	A *	4/1960	Keller	224/184
4,600,081	A	7/1986	Wade		
4,806,063	A *	2/1989	York	414/462
4,936,416	A	6/1990	Garon		
5,049,110	A	9/1991	Owens		
5,393,194	A	2/1995	Smith		
D374,208	S *	10/1996	Eva, Jr.	D22/199
5,562,534	A	10/1996	McGough		
5,595,265	A	1/1997	Lebrocquy		
5,603,489	A	2/1997	Regal		
5,607,143	A	3/1997	Regal		
5,711,399	A	1/1998	Wayne-Prejean		
5,820,455	A	10/1998	Breedlove		

6,045,442	A	4/2000	Bounds		
6,109,855	A	8/2000	Vela-Cuellar		
6,182,946	B1	2/2001	Rutherford		
6,471,269	B1	10/2002	Payne		
6,695,688	B1	2/2004	Owen et al.		
6,739,964	B2	5/2004	Gearhart		
7,314,406	B2	1/2008	Bilinovich		
7,374,388	B2 *	5/2008	Holt	414/462
2008/0085669	A1	4/2008	Burrows		

* cited by examiner

Primary Examiner—Catherine R Oliver

(74) *Attorney, Agent, or Firm*—Nathan Price Chaney

(57) **CLAIM**

The ornamental design for a portable game lift, as shown and described.

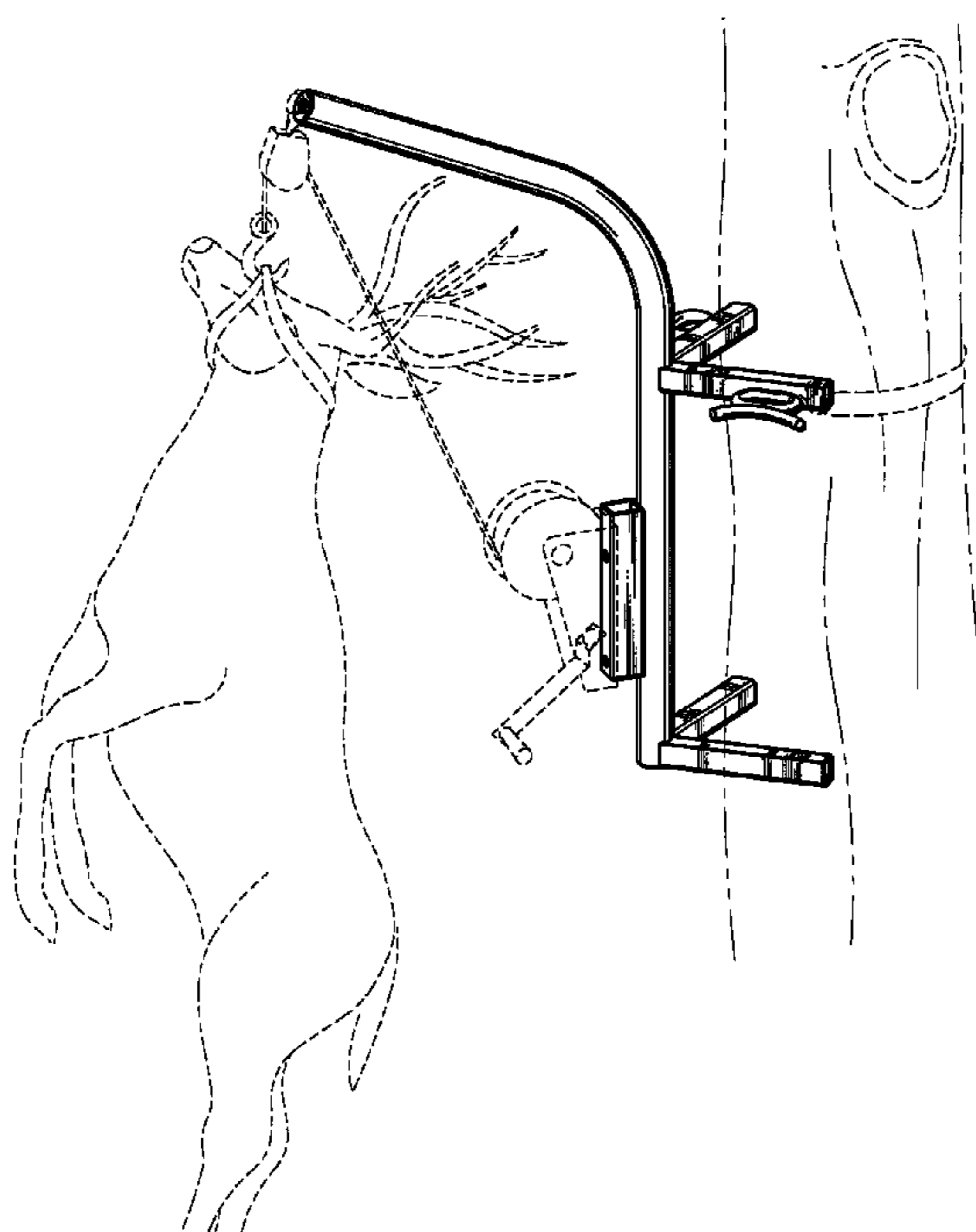
DESCRIPTION

FIG. 1 is a perspective view of the portable game lift.
FIG. 2 is a side view of the left side of the portable game lift.
FIG. 3 is a side view of the right side of the portable game lift.
FIG. 4 is a front view of the portable game lift.
FIG. 5 is a rear view of the portable game lift.
FIG. 6 is a top view of the portable game lift; and,
FIG. 7 is a bottom view of the portable game lift.

The broken line showing of environment in the drawings is included for the purpose of illustrating only and forms no part of the claimed design.

The article is a portable game lift designed to be mounted to a tree or other suitable vertical structure.

1 Claim, 4 Drawing Sheets



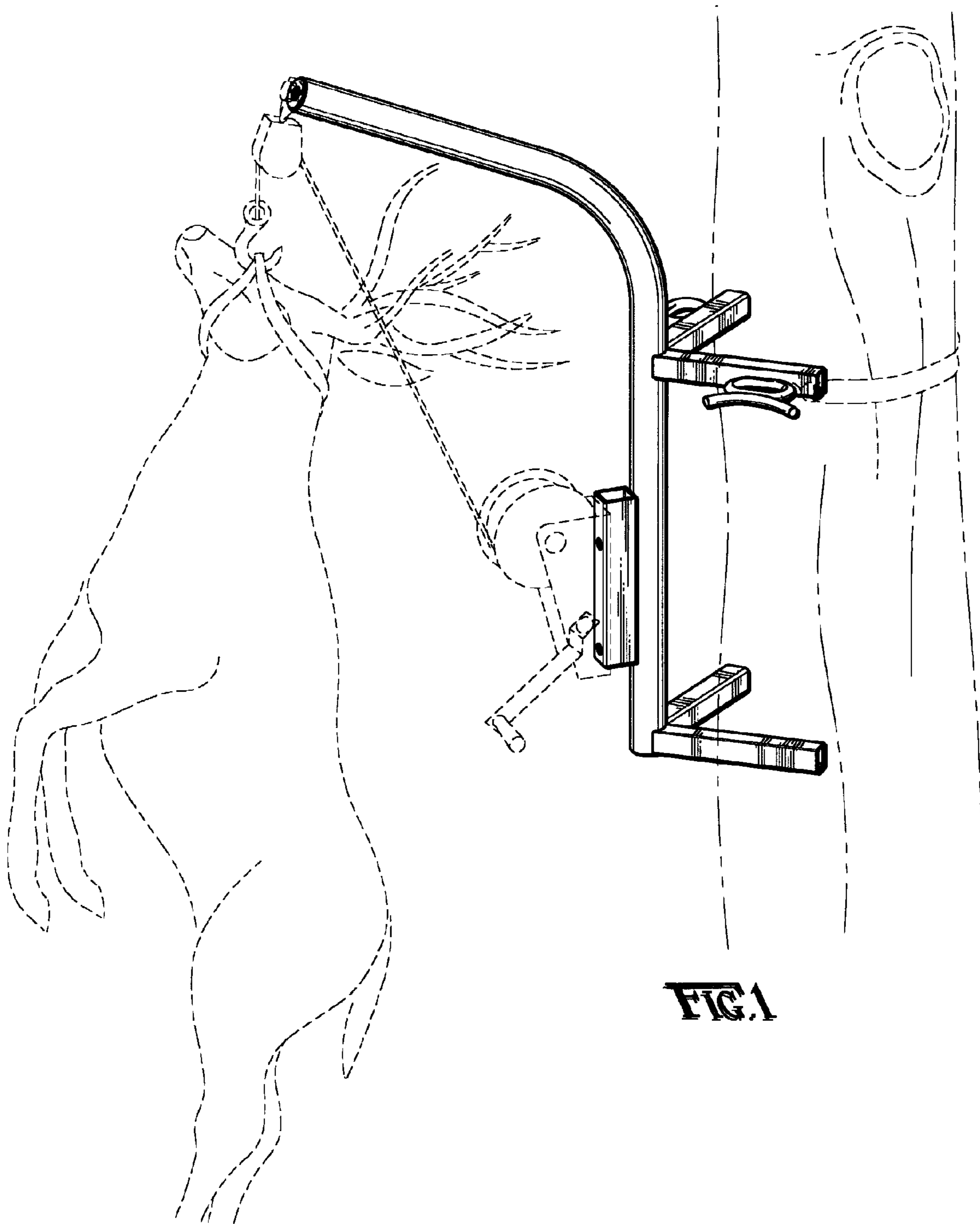


FIG. 1

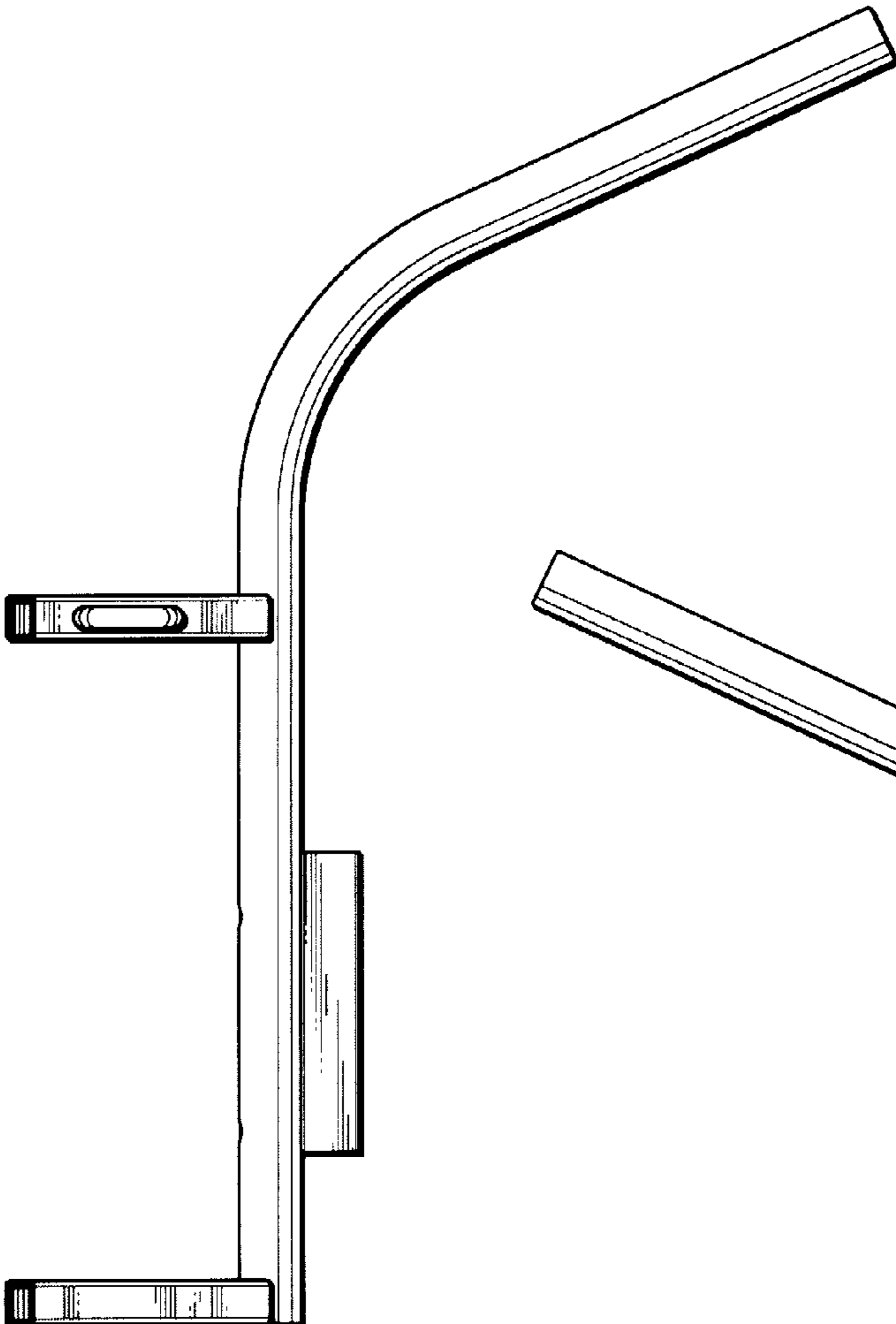


FIG. 2

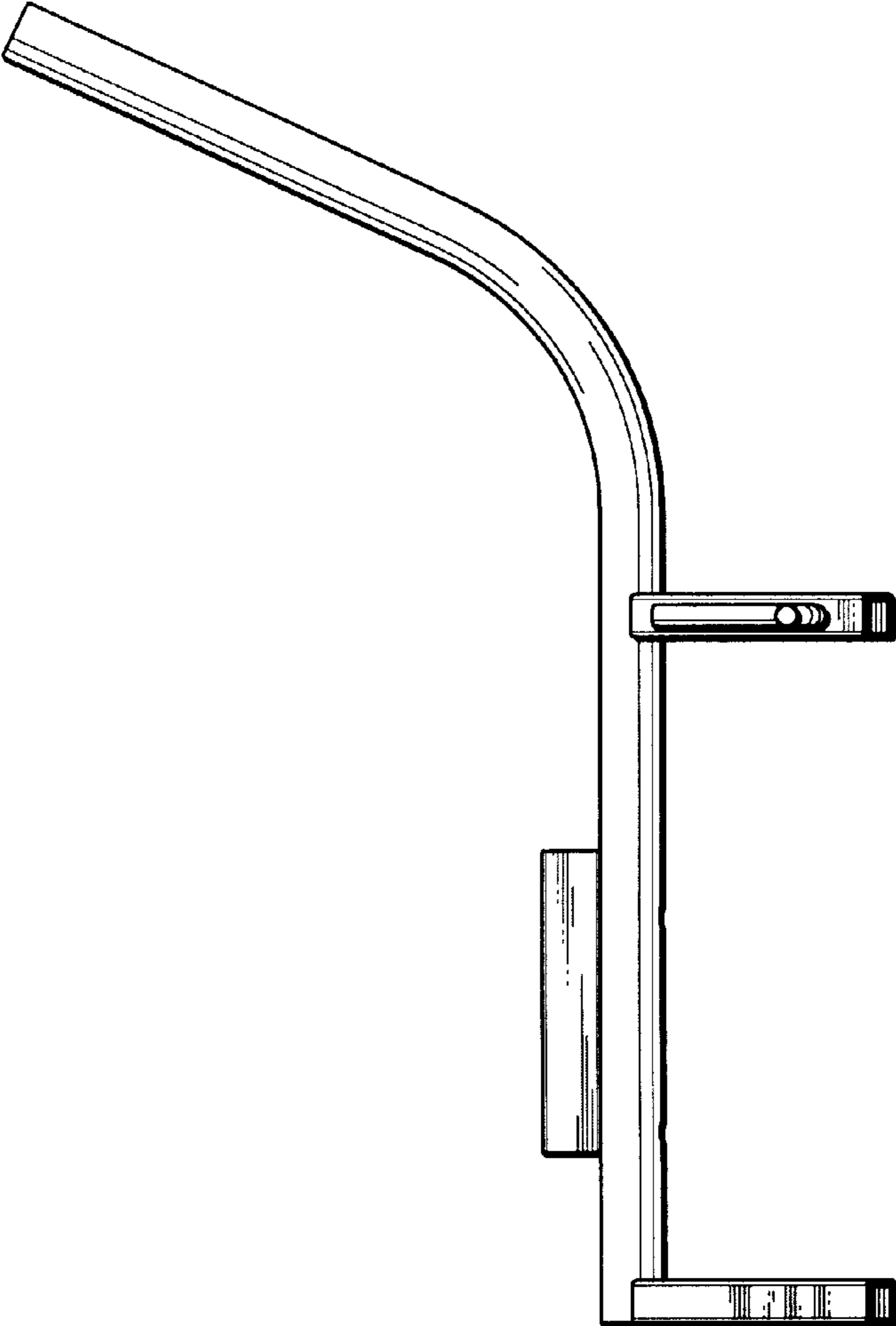


FIG. 3

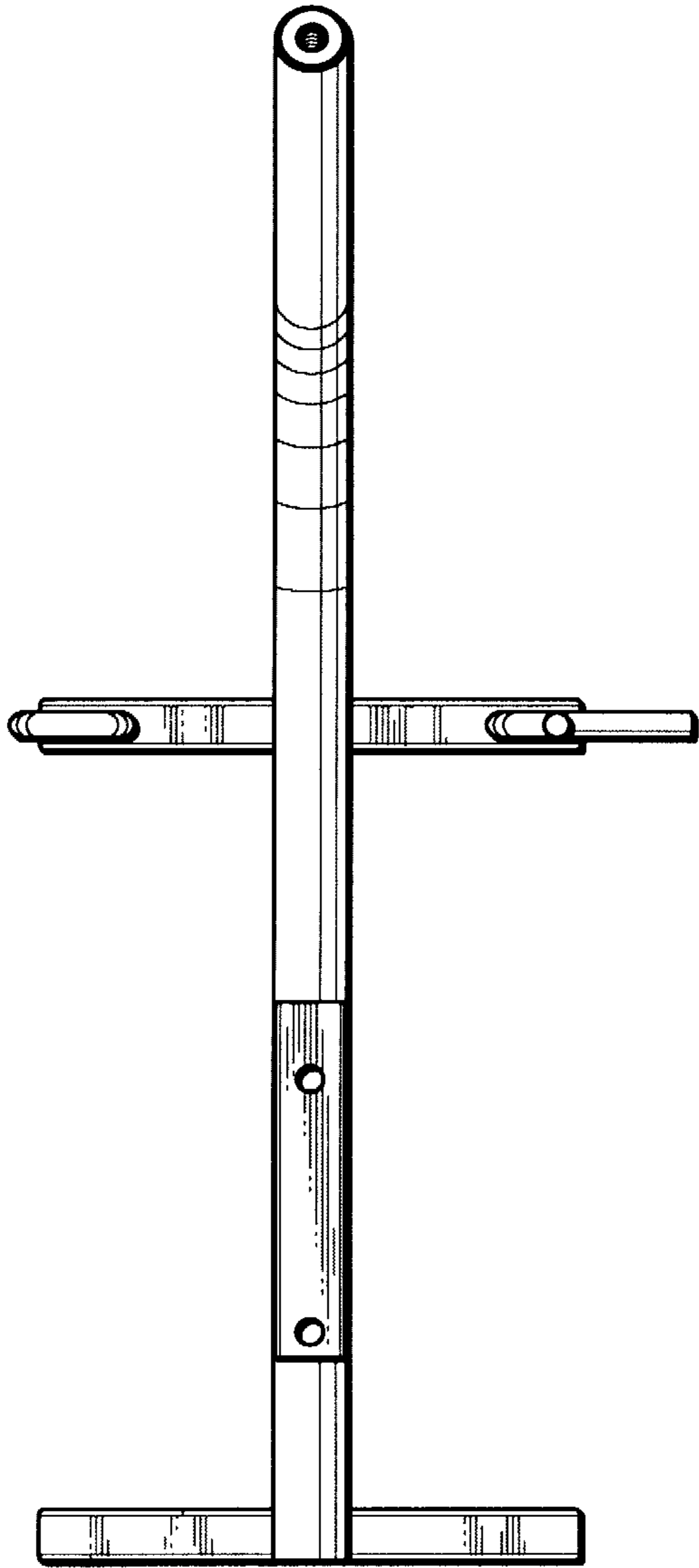


FIG. 4

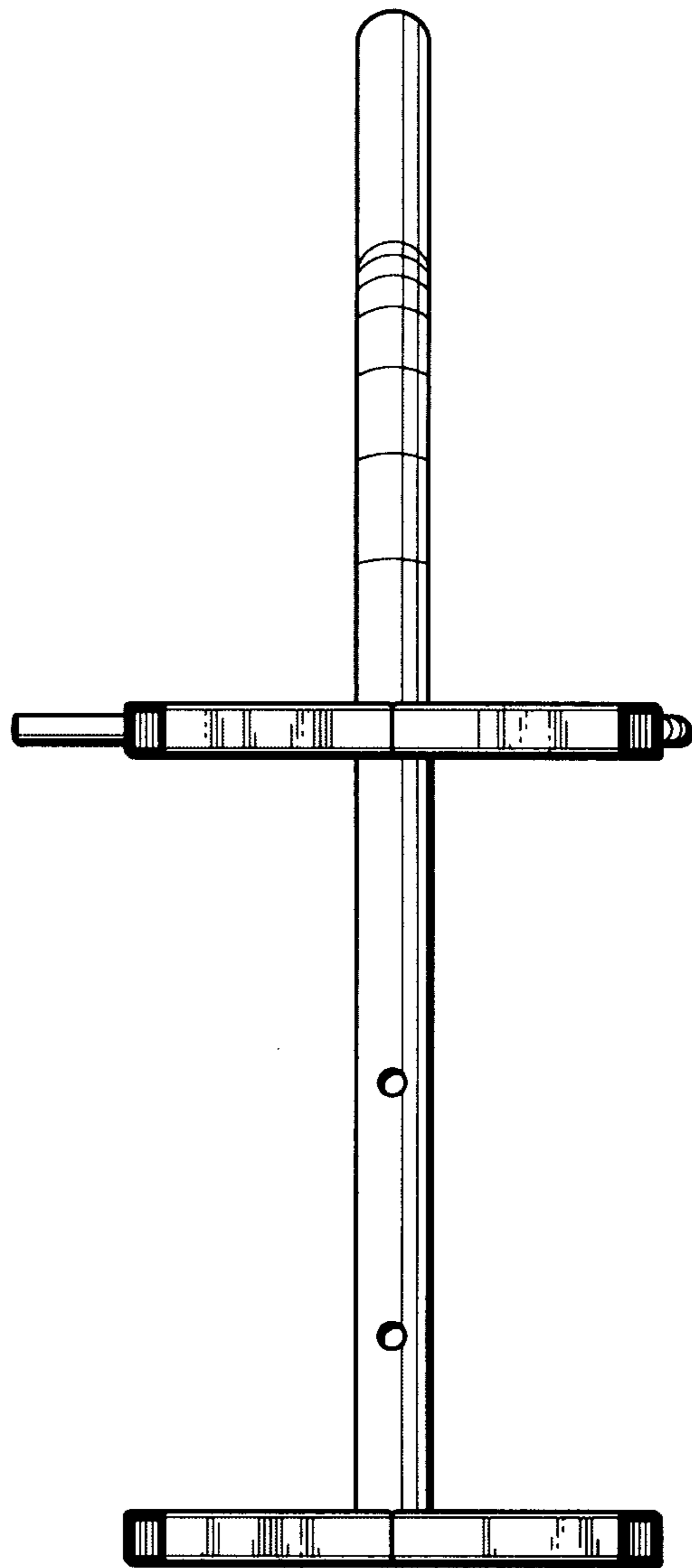


FIG. 5

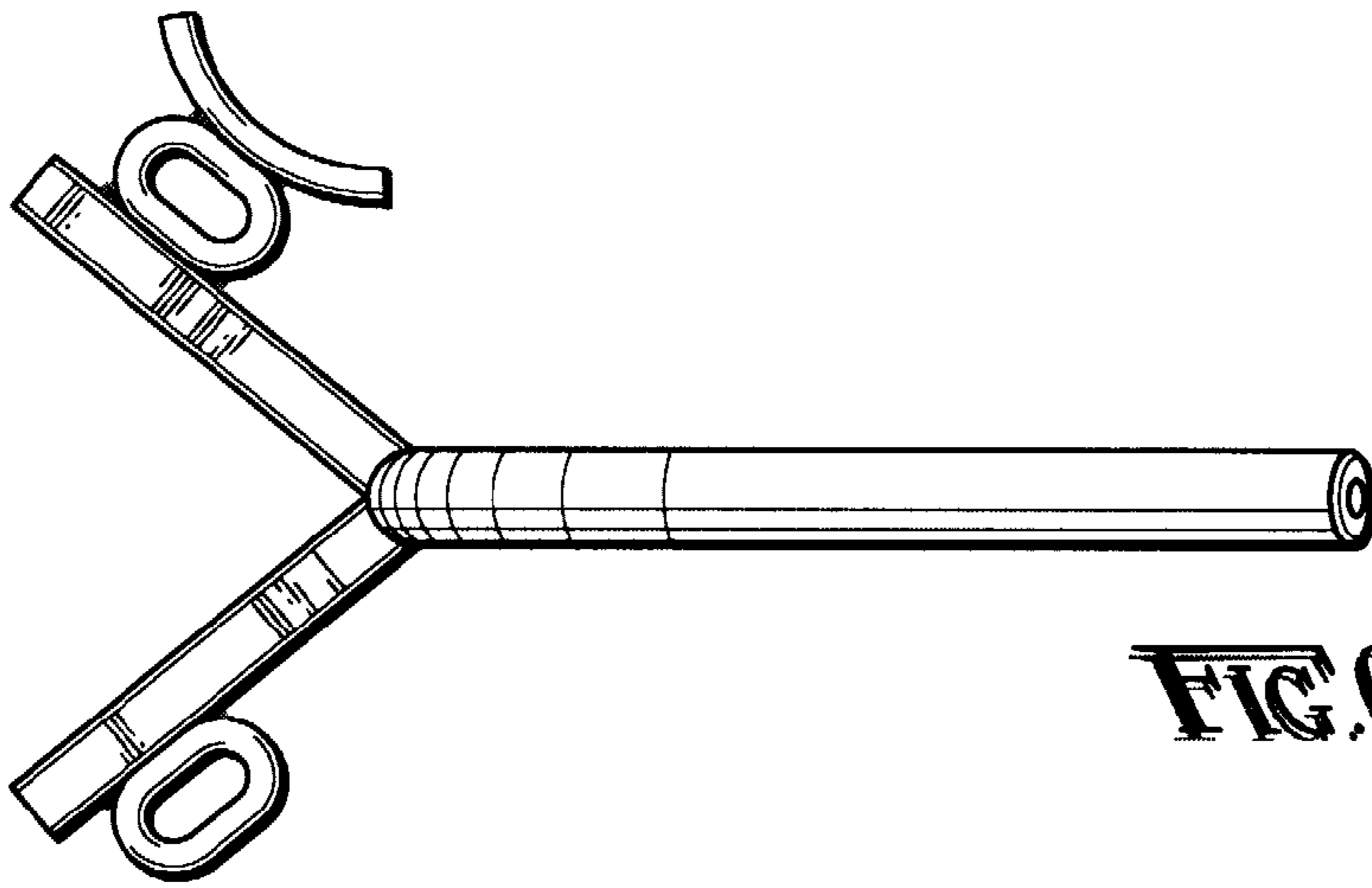


FIG. 6

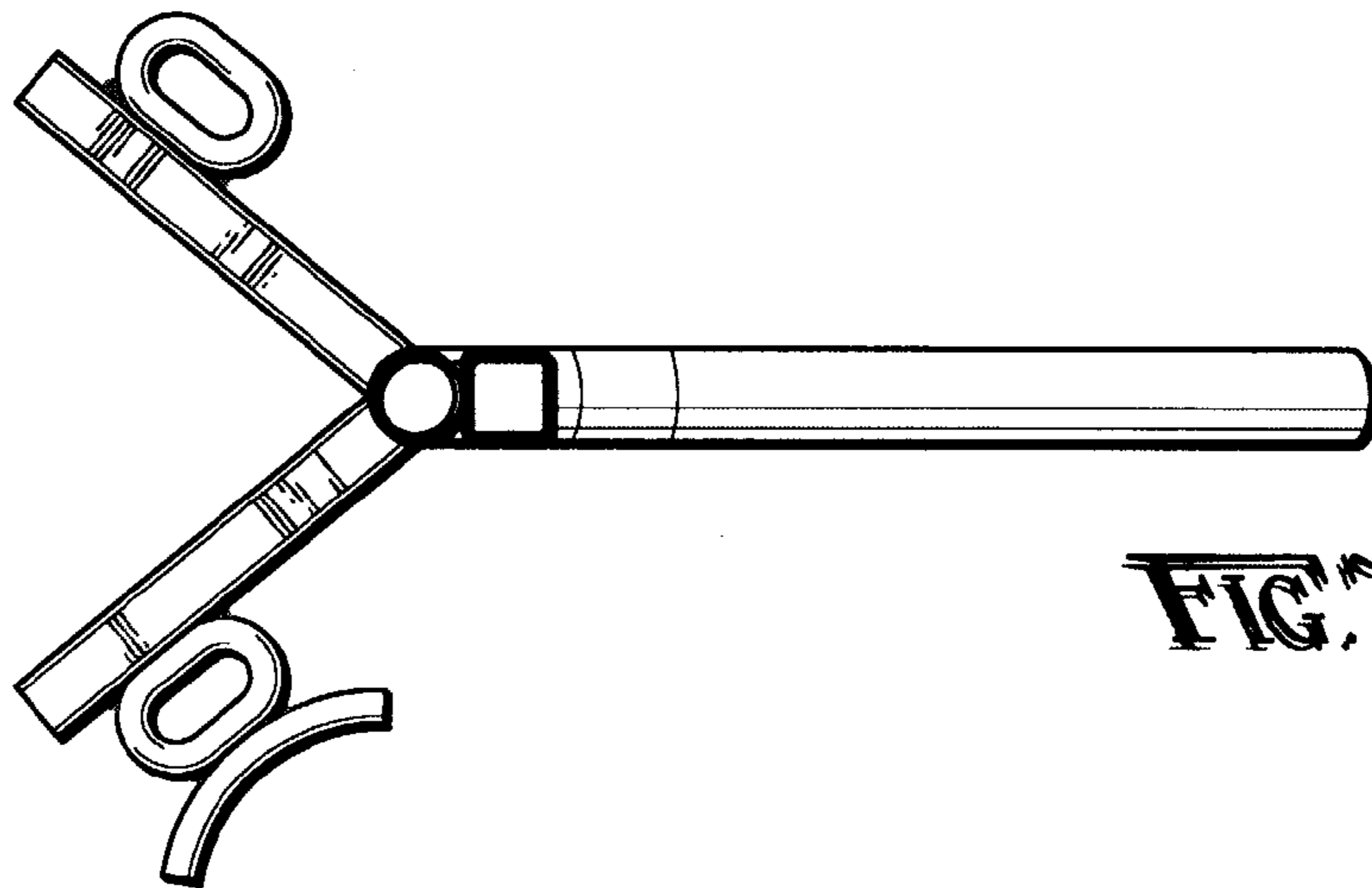


FIG. 7